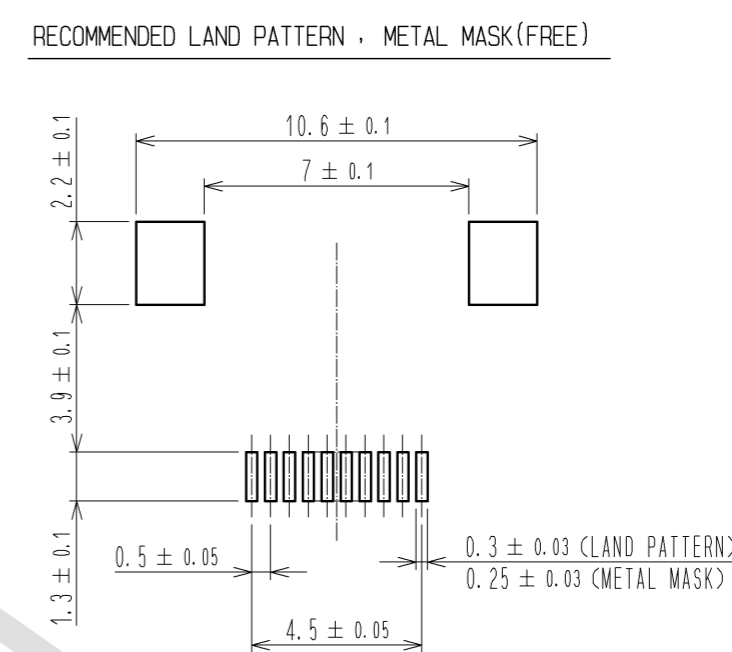
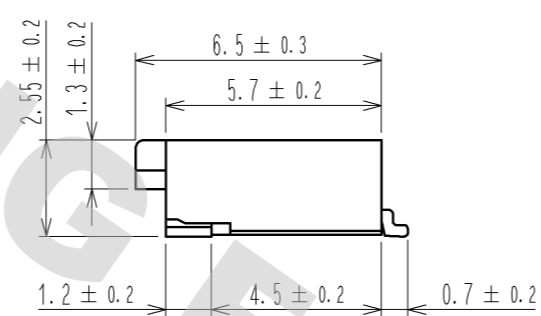
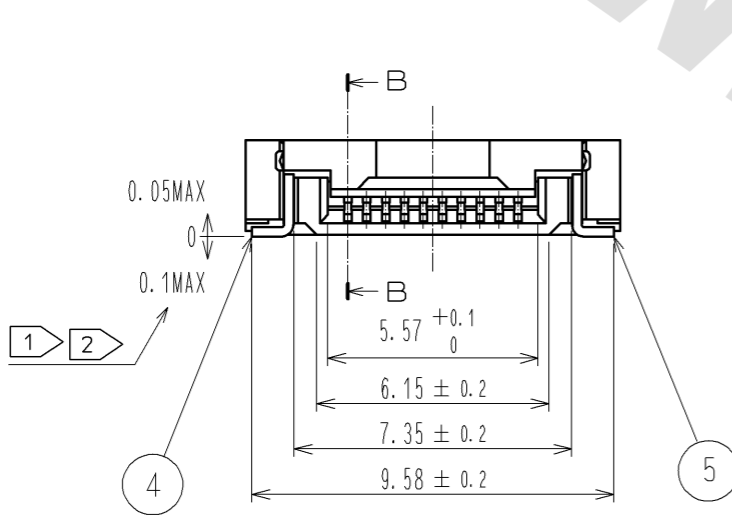
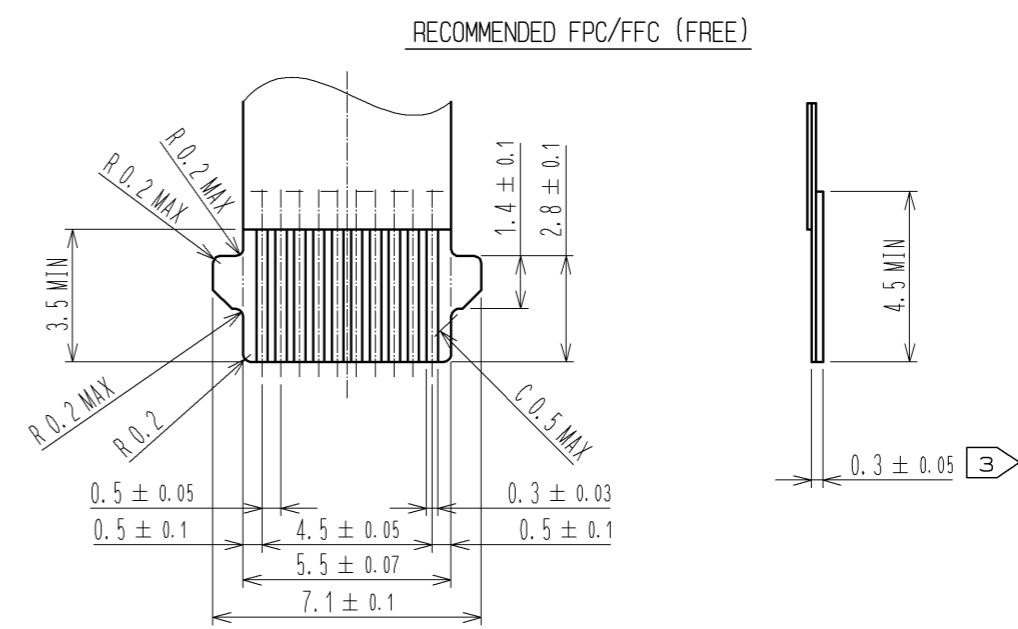
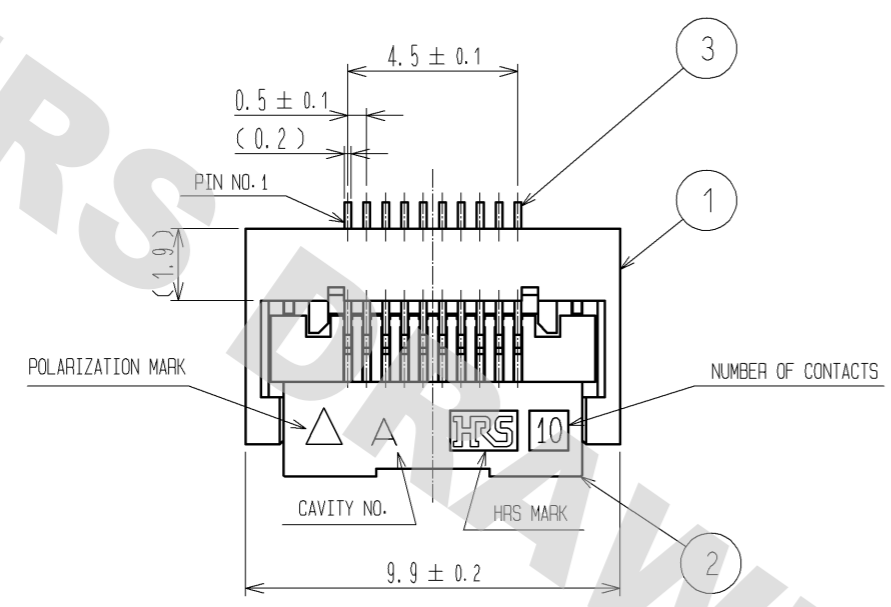
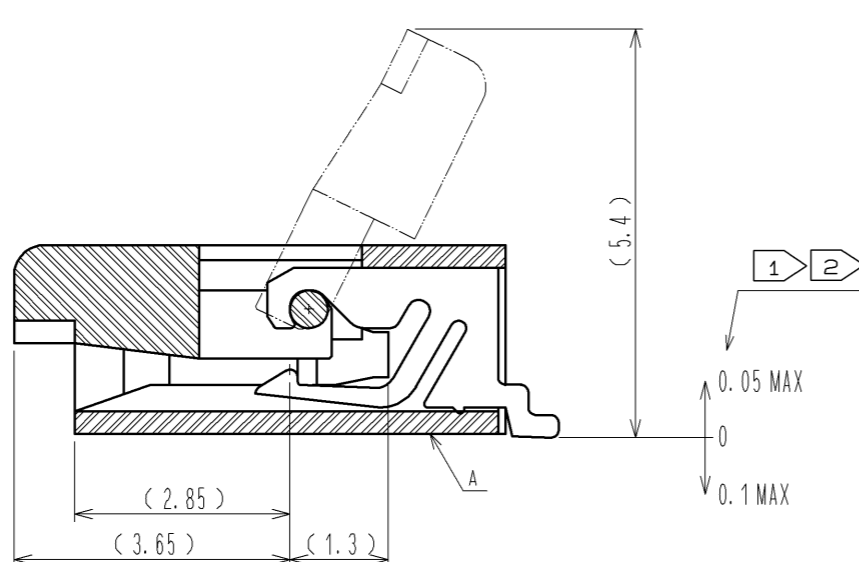


DRAWING FOR REFERENCE: This is subject to change without notice
08/11/2012



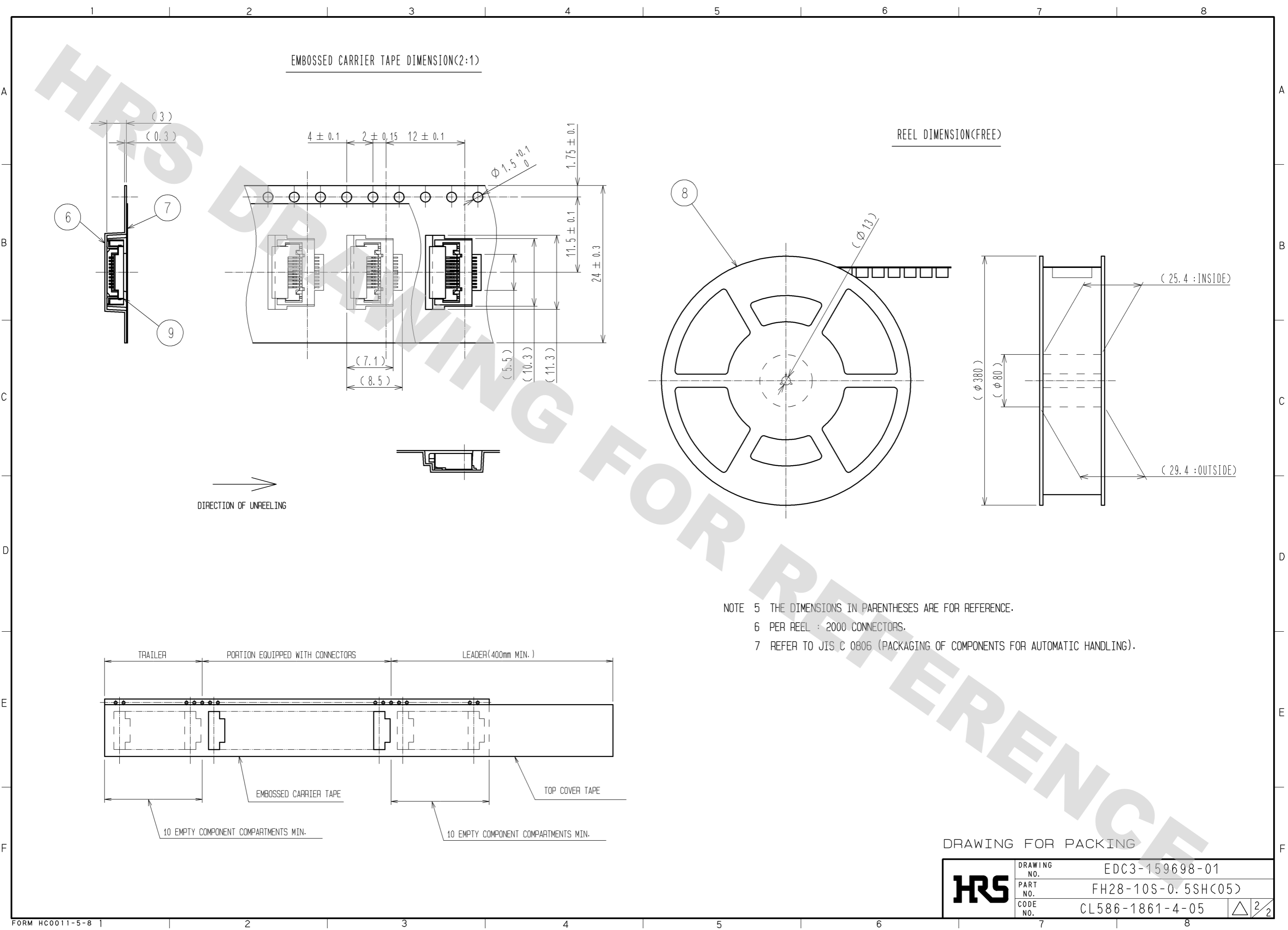
RECOMMENDED METAL MASK THICKNESS: t=0.15



- NOTE
- ① REFERENCE IS A.
 - ② LEAD CO-PLANARITY SHALL BE 0.1 MAX.
 - ③ THICKNESS OF SUPPORTING TAPE SHALL BE 0.188(7.5mil) MIN.
 - ④ THIS PRODUCT SATISFIES HALOGEN FREE REQUIREMENTS DEFINED AS 900 PPM MAXIMUM CHLORINE, 900 PPM MAXIMUM BROMINE, AND 1500 PPM MAXIMUM TOTAL OF CHLORINE AND BROMINE.

5	BRASS	TIN PLATING 1#MIN OVER NICKEL 1#MIN			
4	BRASS	TIN PLATING 1#MIN OVER NICKEL 1#MIN	9	(CONNECTOR)	
3	PHOSPHOR BRONZE	GOLD PLATING 0.05#MIN OVER NICKEL 1#MIN	8	POLYSTYRENE	
2	LCP	(BLACK) UL94V-0	7	POLYESTER	
1	LCP	(GRAY) UL94V-0	6	POLYSTYRENE	
NO.	MATERIAL	FINISH . REMARKS	NO.	MATERIAL	FINISH . REMARKS
UNITS mm		SCALE 5 : 1	COUNT △	DESCRIPTION OF REVISIONS	
DESIGNED		CHECKED		DATE	
APPROVED : RI. TAKAYASU 09.04.02			DRAWING NO. EDC3-159698-01		
CHECED : HS. SAKAMOTO 09.04.01			PART NO. FH28-10S-0.5SH(C05)		
DESIGNED : RT. IKEDA 09.04.01			CODE NO. CL586-1861-4-05		
DRAWN : RT. IKEDA 09.04.01			△ 1/2		

DRAWING FOR REFERENCE: This is subject to change without notice
08/11/2012



- NOTE 5 THE DIMENSIONS IN PARENTHESES ARE FOR REFERENCE.
 6 PER REEL : 2000 CONNECTORS.
 7 REFER TO JIS C 0806 (PACKAGING OF COMPONENTS FOR AUTOMATIC HANDLING).

DRAWING FOR PACKING	
HRS	DRAWING NO. EDC3-159698-01
	PART NO. FH28-10S-0.5SH(C05)
	CODE NO. CL586-1861-4-05
	△ 2/2