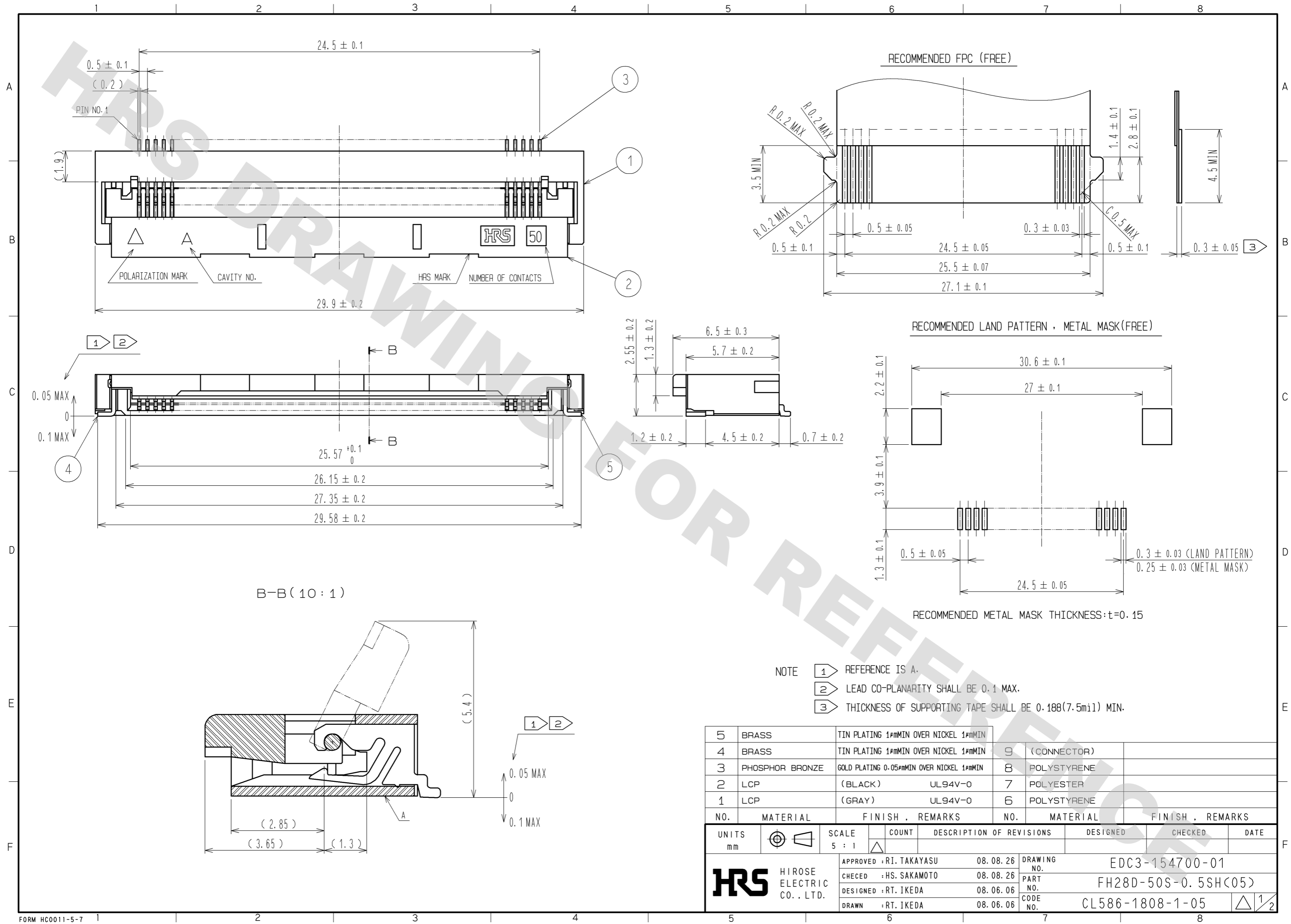
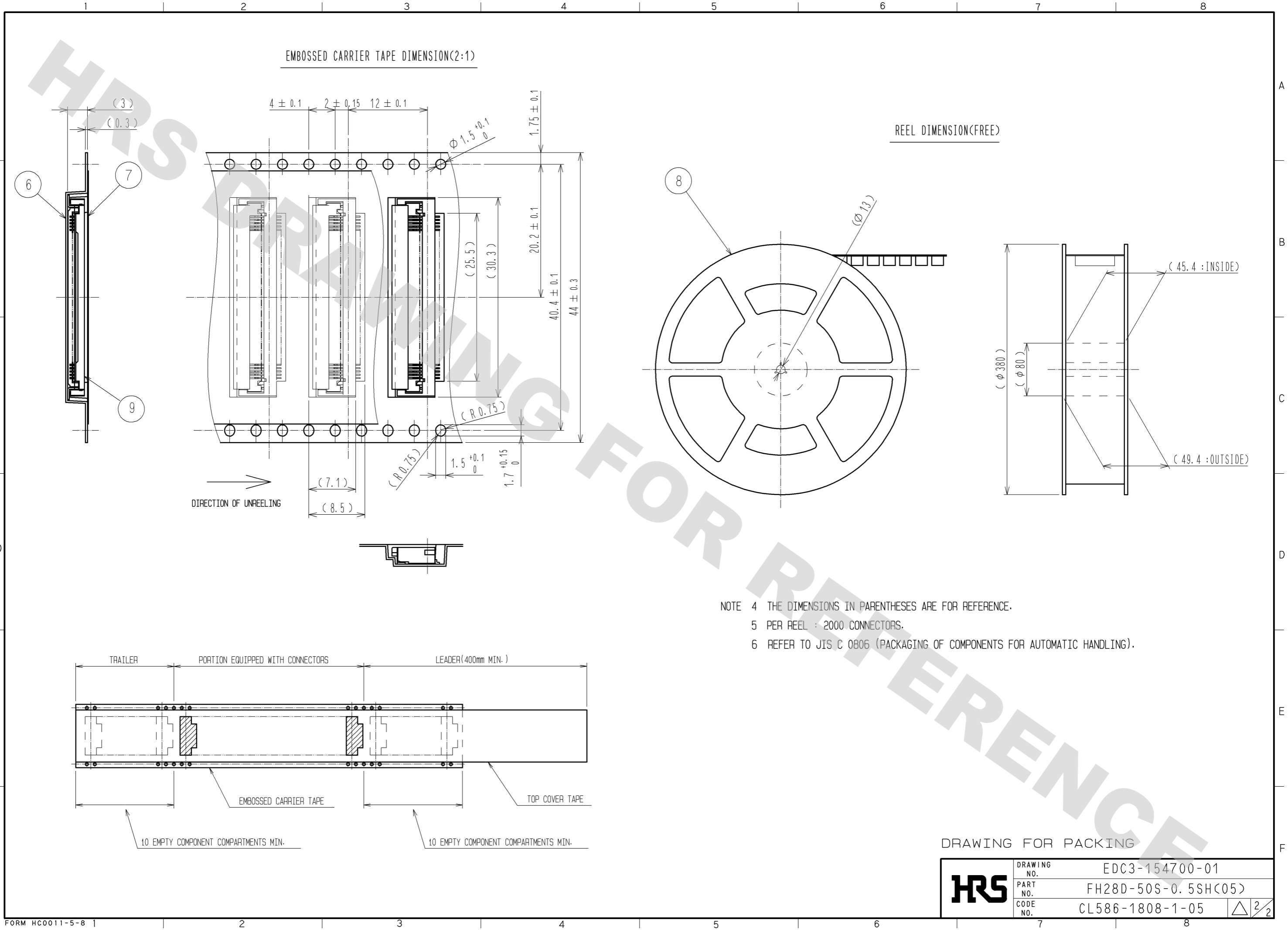


DRAWING FOR REFERENCE: This is subject to change without notice
08/11/2012



5	BRASS	TIN PLATING 1#mMIN OVER NICKEL 1#mMIN						
4	BRASS	TIN PLATING 1#mMIN OVER NICKEL 1#mMIN	9	(CONNECTOR)				
3	PHOSPHOR BRONZE	GOLD PLATING 0.05#mMIN OVER NICKEL 1#mMIN	8	POLYSTYRENE				
2	LCP	(BLACK) UL94V-0	7	POLYESTER				
1	LCP	(GRAY) UL94V-0	6	POLYSTYRENE				
NO.	MATERIAL	FINISH . REMARKS	NO.	MATERIAL	FINISH . REMARKS			
UNITS	mm	SCALE	5 : 1	COUNT	DESCRIPTION OF REVISIONS	DESIGNED	CHECKED	DATE
HRS HIROSE ELECTRIC CO., LTD.		APPROVED : RI. TAKAYASU	08.08.26	DRAWING NO. EDC3-154700-01				
		CHECED : HS. SAKAMOTO	08.08.26	PART NO. FH28D-50S-0.5SH(05)				
		DESIGNED : RT. IKEDA	08.06.06	CODE NO. CL586-1808-1-05				
		DRAWN : RT. IKEDA	08.06.06					

DRAWING FOR REFERENCE: This is subject to change without notice
08/11/2012



- NOTE 4 THE DIMENSIONS IN PARENTHESES ARE FOR REFERENCE.
 5 PER REEL : 2000 CONNECTORS.
 6 REFER TO JIS C 0806 (PACKAGING OF COMPONENTS FOR AUTOMATIC HANDLING).

DRAWING FOR PACKING	
HRS	DRAWING NO. EDC3-154700-01
	PART NO. FH28D-50S-0.5SH(C05)
	CODE NO. CL586-1808-1-05
	△ 2/2