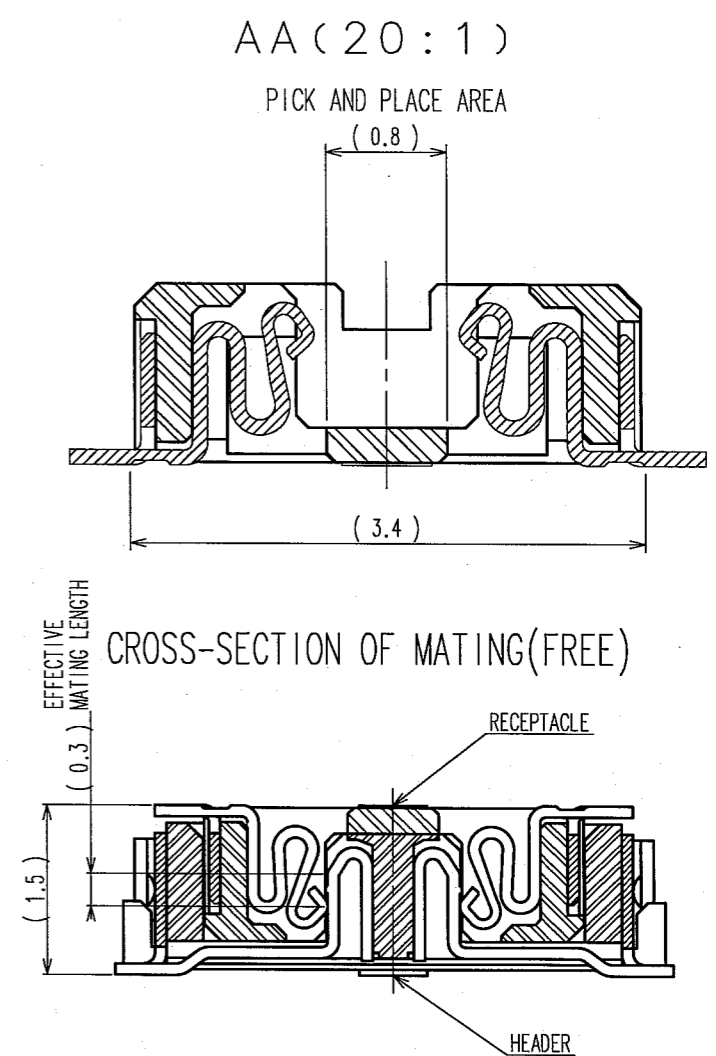
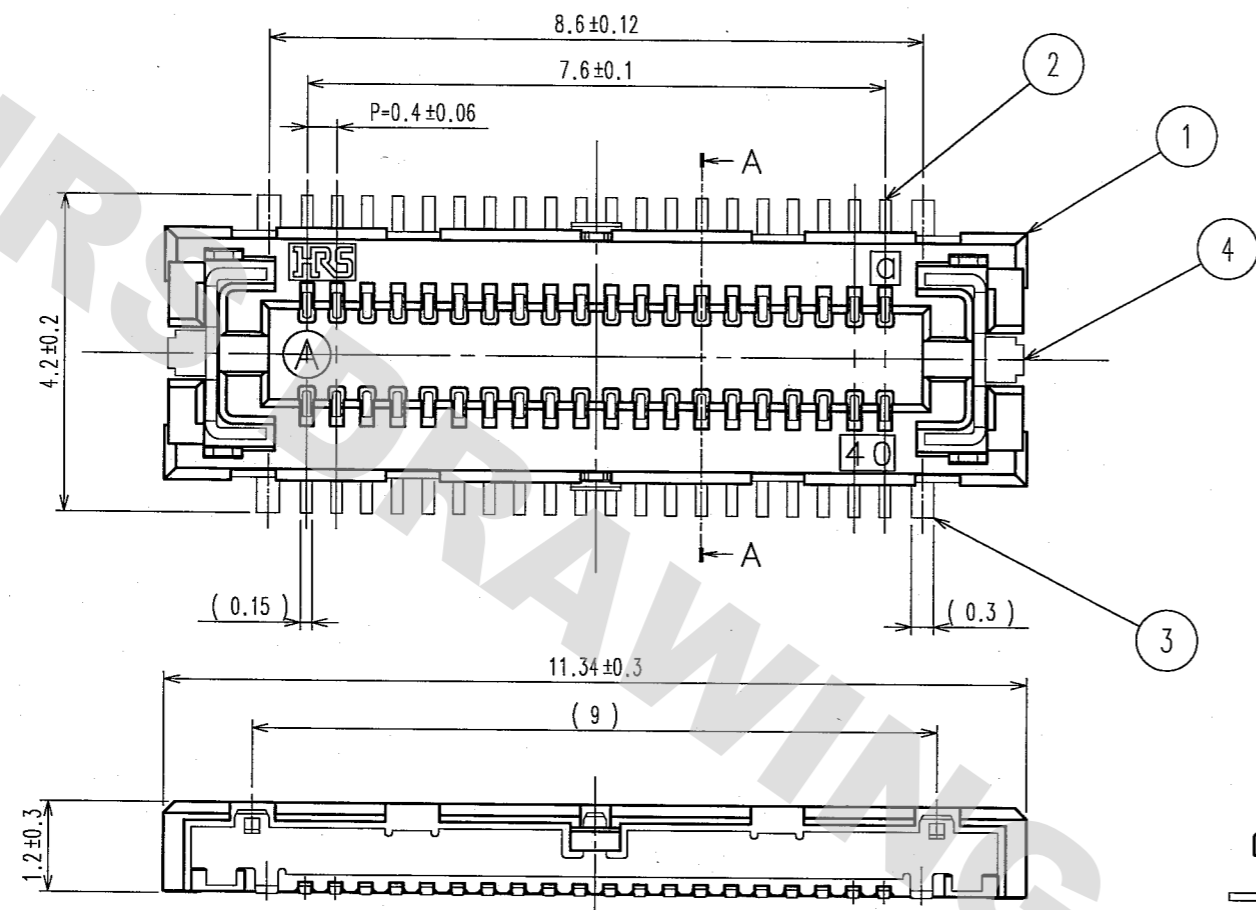
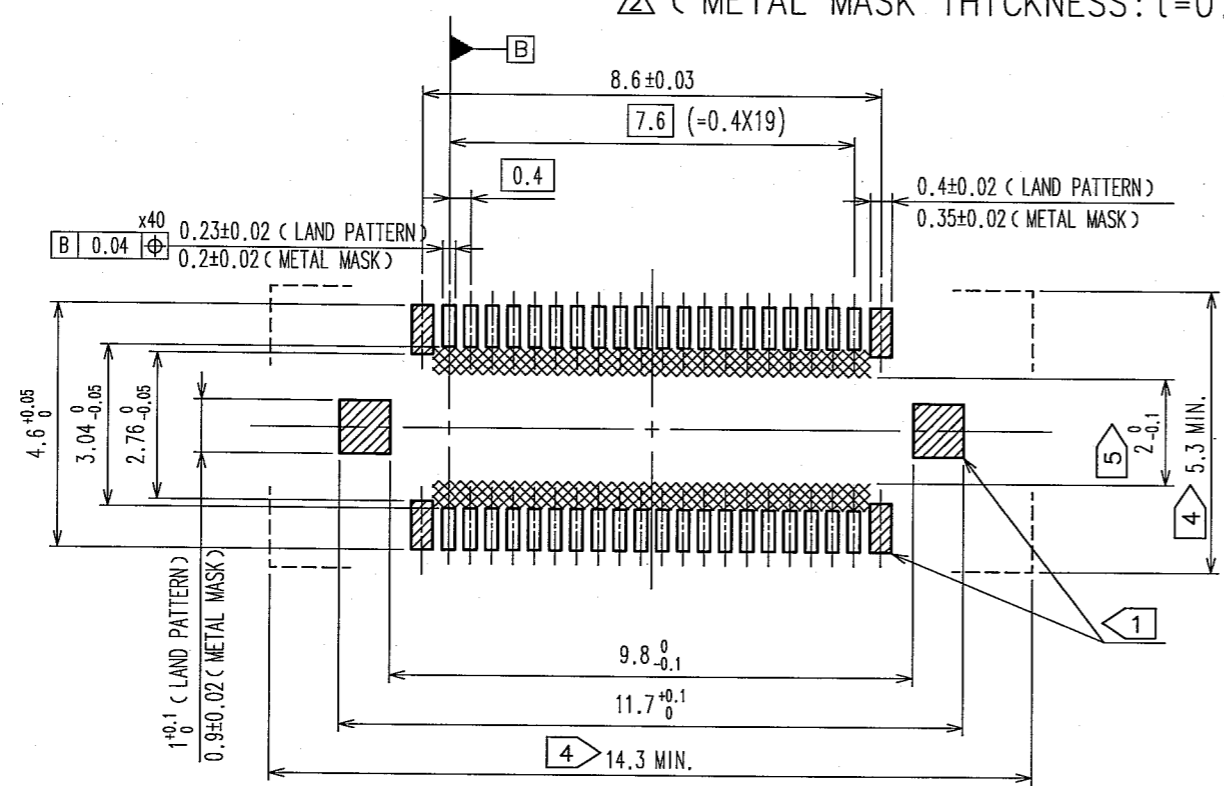


COUNT	DESCRIPTION OF REVISIONS	BY	CHKD	DATE	COUNT	DESCRIPTION OF REVISIONS	BY	CHKD	DATE
1	DIS-F-000377	T.N	H.Y	06.03.16					
1	DIS-F-001191	K.N	H.O	06.08.02					



RECOMMENDED LAND PATTERN DIMENSION OF P.C.B. (FREE)
 △ (METAL MASK THICKNESS: t=0.12)



- NOTES
- 6 HATCHED PARTS: GROUND CIRCUIT.
 - SMT LEAD-COPLANARITY: 0.1MAX.
 - THIS PRODUCT HAS NO POLARITY TO PATTERN FOR MOUNTING.
 - DO NOT MOUNT OTHER DEVICES ONTO AREA, OR MATING PAIR CANNOT BE MATED.
 - MAKE SURE WIDTH OF PATTERN IS WITHIN THAT OF LAND, OR LEAD MAY TOUCH PATTERN. (THIS APPLIES TO HATCHED AREA)
 - EMBOSSED CARRIER TAPE PACKAGING SHALL BE APPLIED FOR THIS PRODUCT. SEE NEXT PAGE FOR DETAILS.
 - THE DIMENSIONS IN PARENTHESES ARE FOR REFERENCE.

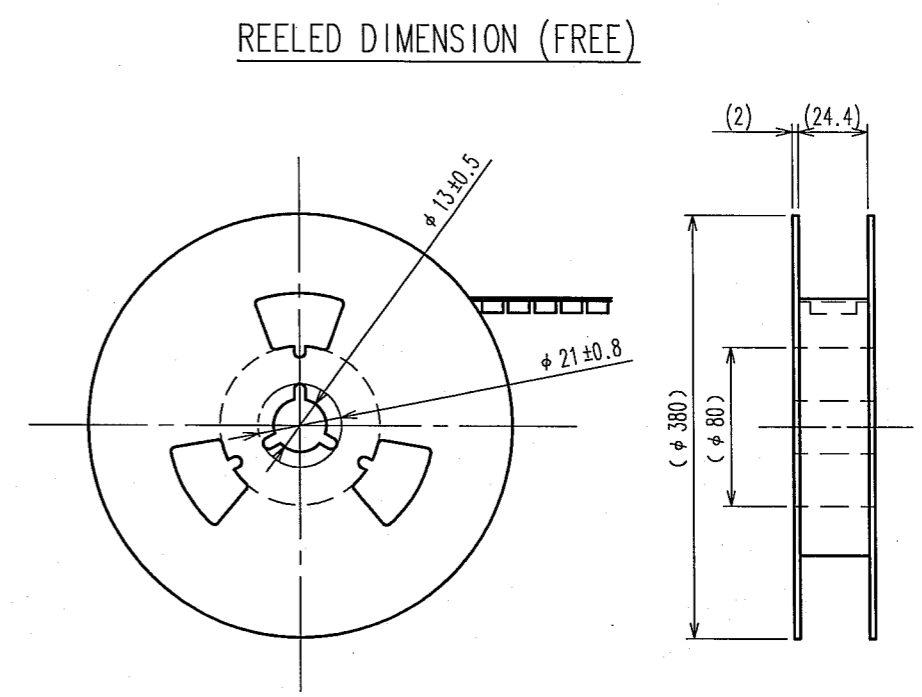
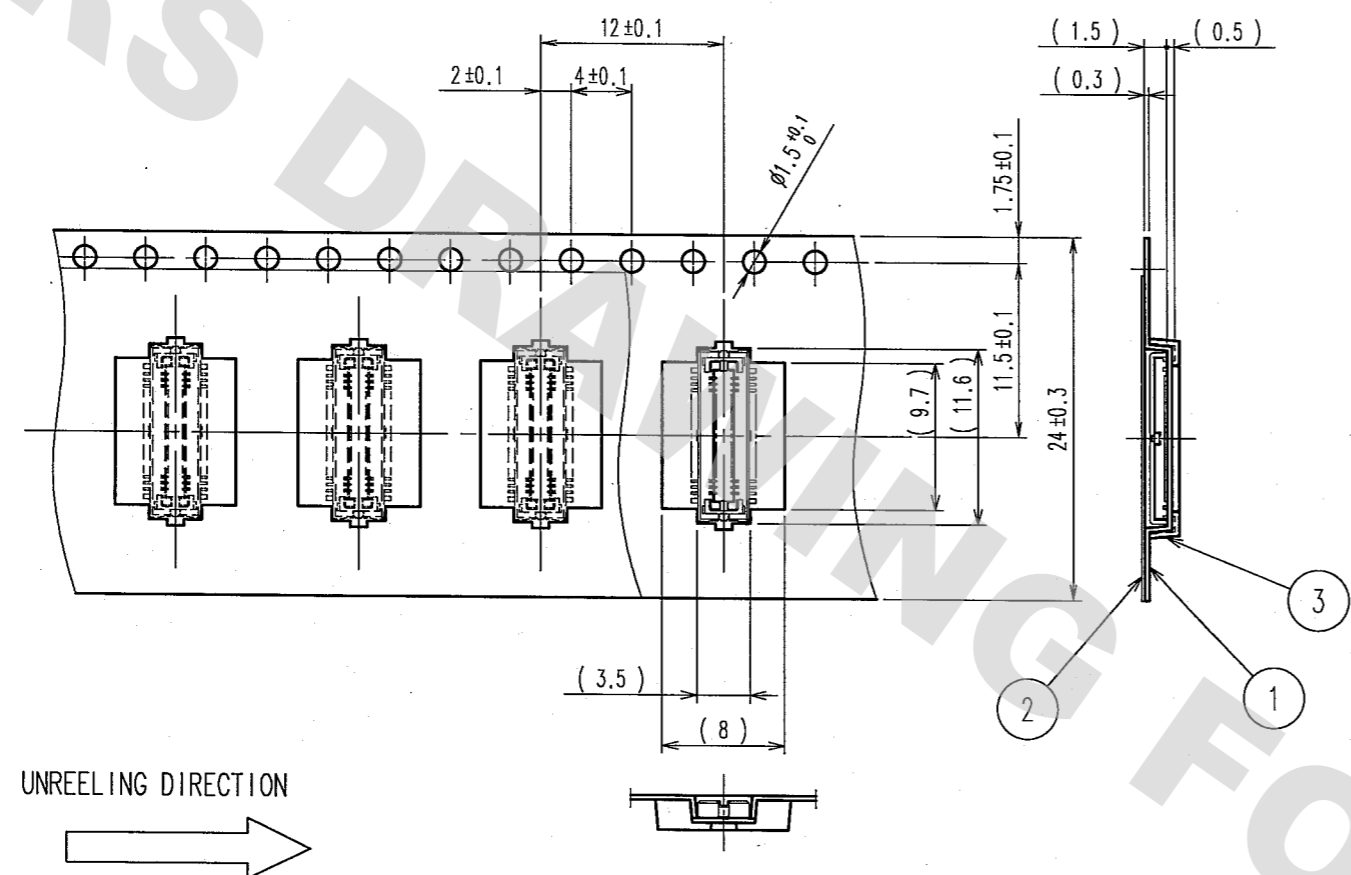
4	PHOSPHOR BRONZE	TIN-PLATING		2	PHOSPHOR BRONZE	CONTACT AREA: GOLD 0.1μm min.
3	PHOSPHOR BRONZE	GOLD FLASH	△			LEAD AREA: GOLD FLASH
1	POLYAMIDE	BLACK UL94V-0				UNDER PLATING: NICKEL 1μm min.
NO.	MATERIAL	FINISH, REMARKS	NO.	MATERIAL	FINISH, REMARKS	

CODE NO. (OLD)		DRAWN	DESIGNED	CHECKED	APPROVED	RELEASED
		K. NAKAMURA	K. NAKAMURA	H. YAMAGUCHI	H. OKAWA	
		'05.08.05	'05.08.05	'05.08.05	'05.08.05	
DRAWING NO.		PART NO.				
EDC3-155122		FX12B-40S-0.4SV				
SCALE		CODE NO.				
10 : 1		CL573-1002-2				
UNITS		HRS				
mm		HIROSE ELECTRIC CO., LTD				

DRAWING FOR REFERENCE: This is subject to change without notice
08/11/2012

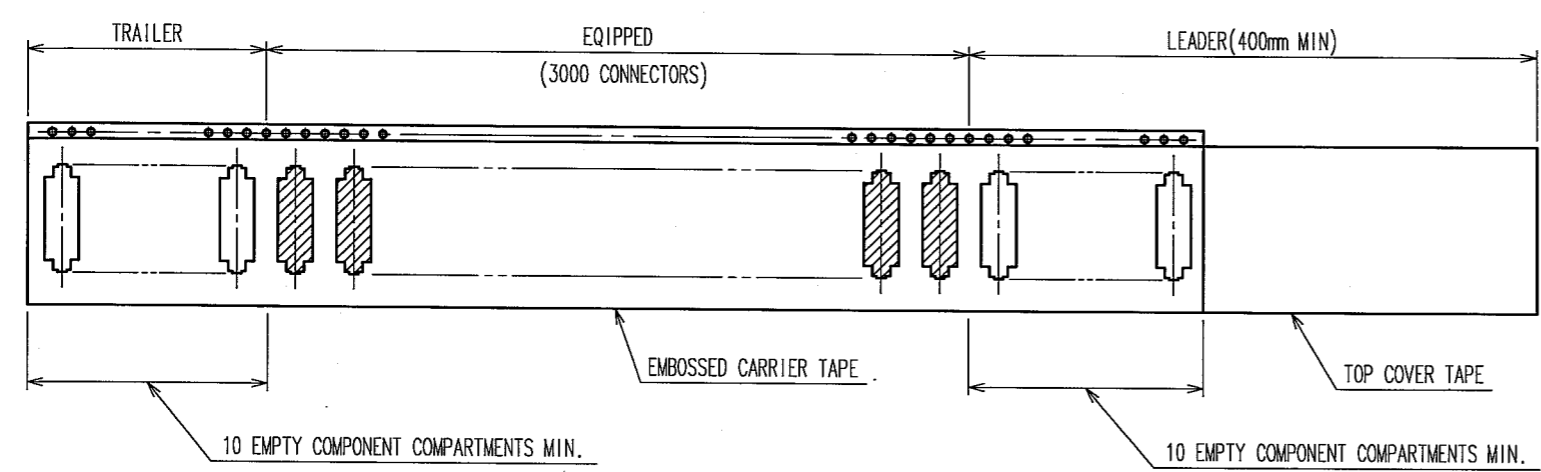
TO

COUNT	DESCRIPTION OF REVISIONS	BY	CHKD	DATE	COUNT	DESCRIPTION OF REVISIONS	BY	CHKD	DATE
△					△				
△					△				
△					△				



UNREELING DIRECTION

NOTE 1. 1 REEL : 3000 CONNECTORS.
 2. THE DIMENSIONS IN PARENTHESES ARE FOR REFERENCE.



2	POLYESTER	(TOP COVER TAPE)							
1	POLYSTYRENE	(EMBOSSED CARRIER TAPE)	3						(CONNECTOR)
NO.	MATERIAL	FINISH, REMARKS	NO.	MATERIAL	FINISH, REMARKS				
CODE NO. (OLD)			DRAWN	DESIGNED	CHECKED	APPROVED	RELEASED		
DRAWING FOR PACKAGING			K. NAKAMURA	K. NAKAMURA	H. YAMAGUCHI	H. OKAWA			
			'05.08.05	'05.08.05	'05.08.05	'05.08.05			
SCALE			DRAWING NO.		PART NO.				
2 : 1			EDC3-155122		FX12B-40S-0.4SV				
UNITS			HRS		CODE NO.				
mm			HIROSE ELECTRIC CO., LTD		CL573-1002-2				

DRAWING FOR REFERENCE: This is subject to change without notice
08/11/2012

TO