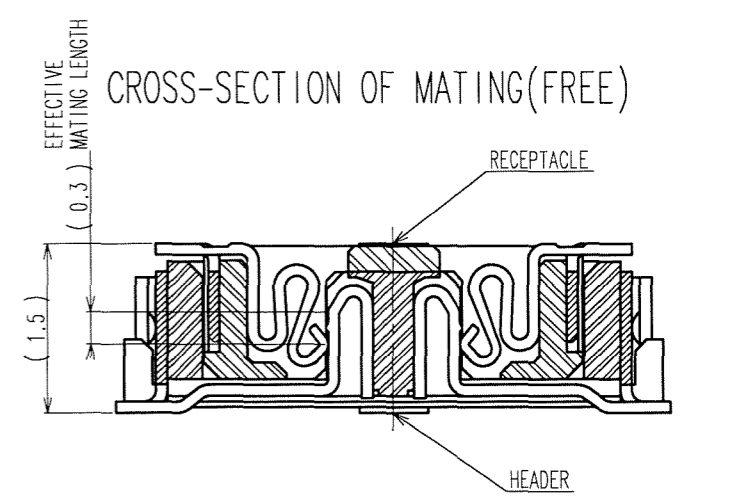
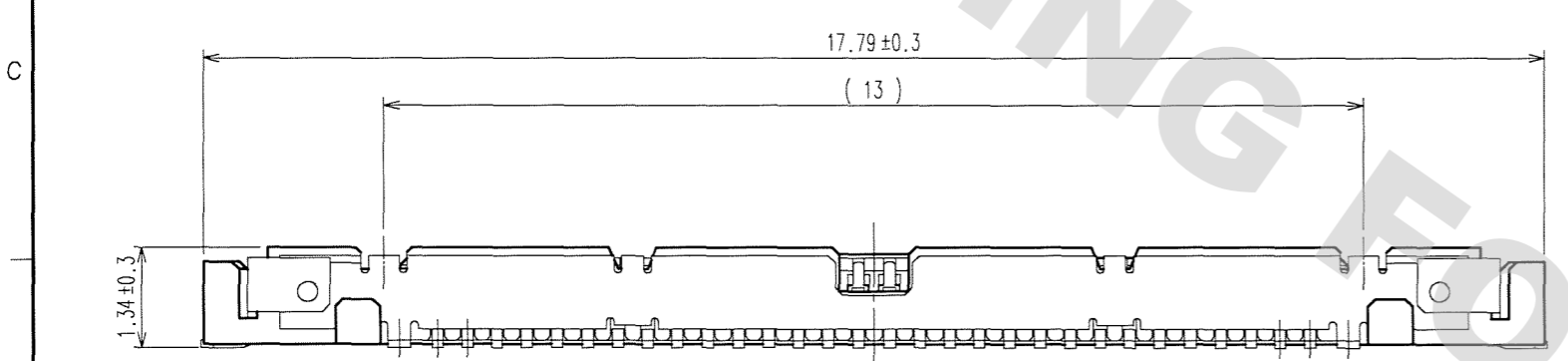
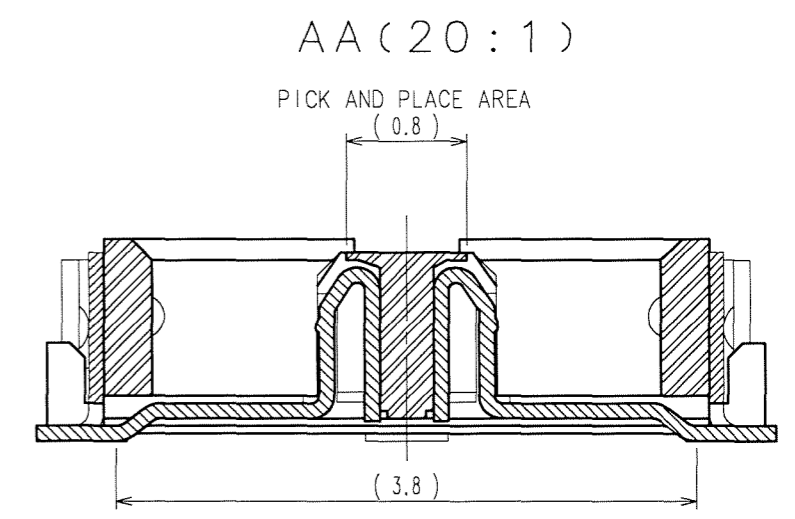
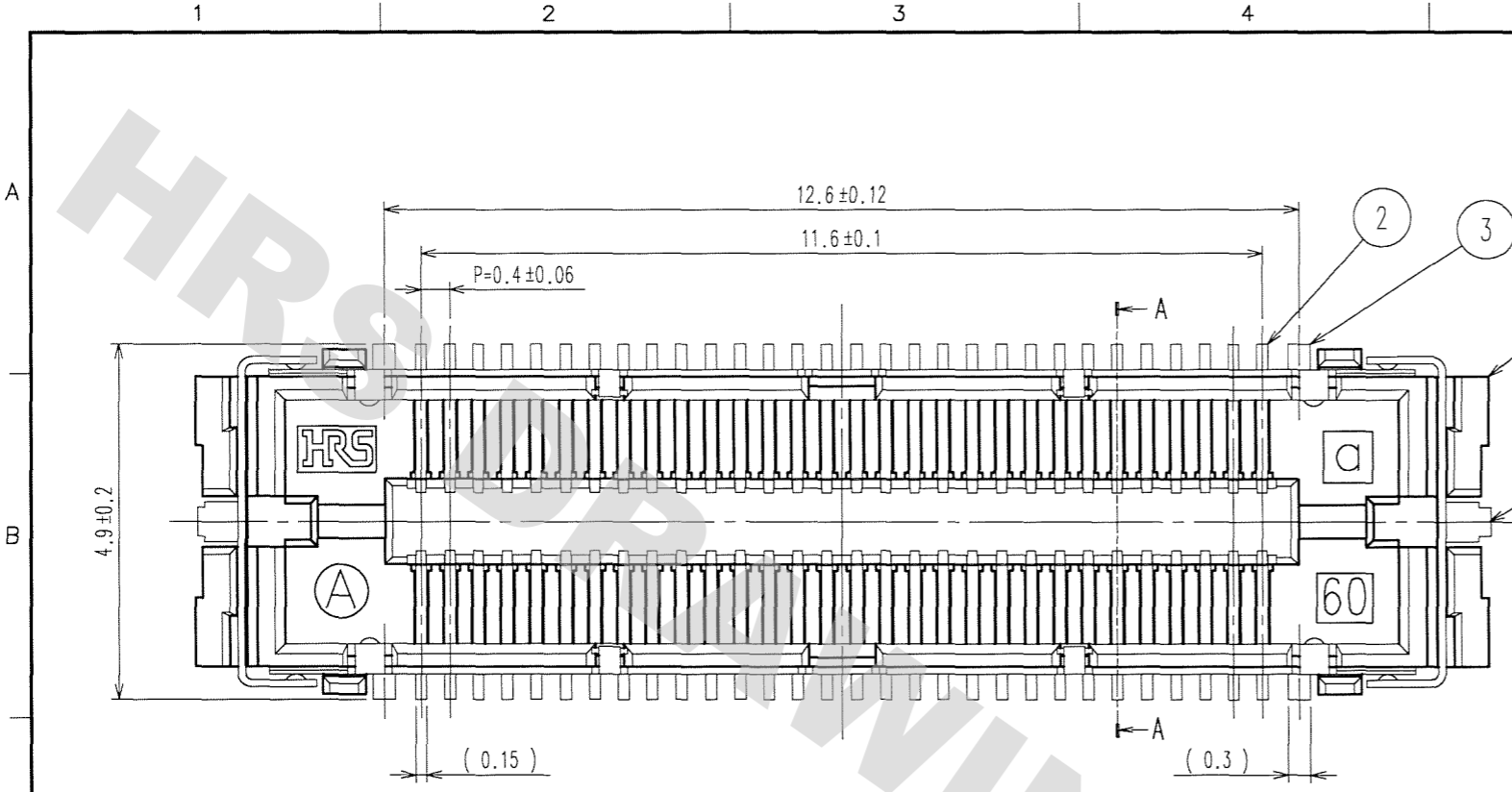
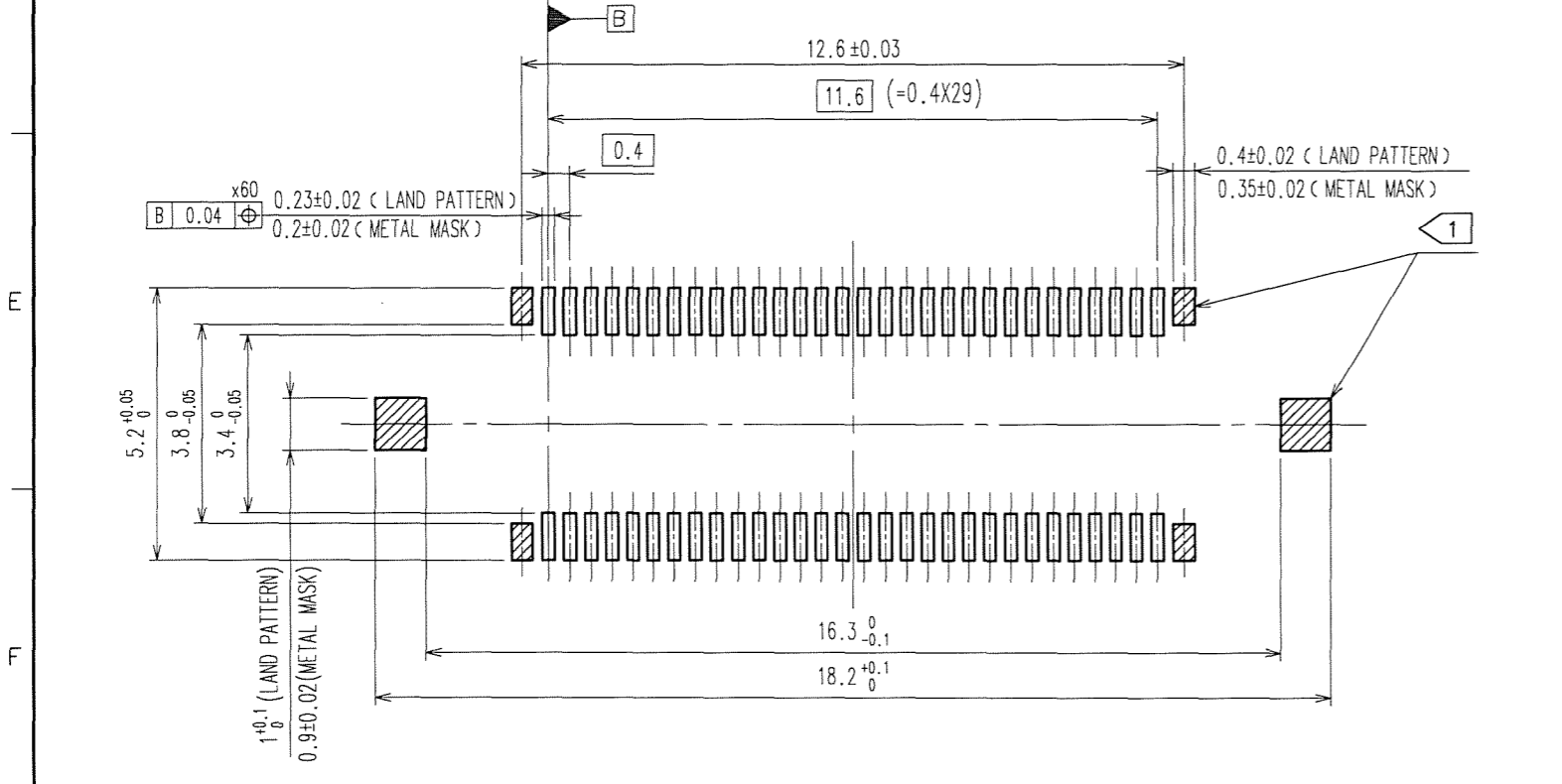


COUNT	DESCRIPTION OF REVISIONS	BY	CHKD	DATE	COUNT	DESCRIPTION OF REVISIONS	BY	CHKD	DATE
7	DIS-F-001247	K.N	H.O	06.09.08					



RECOMMENDED LAND PATTERN (FREE)
 △ (METAL MASK THICKNESS: t=0.12)



- NOTES
- 6 HATCHED PARTS: GROUND CIRCUIT.
 - SMT LEAD-COPLANARITY: 0.1MAX.
 - THIS PRODUCT HAS NO POLARITY TO PATTERN FOR MOUNTING.
 - EMBOSSED CARRIER TAPE PACKAGING SHALL BE APPLIED FOR THIS PRODUCT. SEE NEXT PAGE FOR DETAILS.
 - THE DIMENSIONS IN PARENTHESES ARE FOR REFERENCE.

4	PHOSPHOR BRONZE	TIN-PLATING	2	PHOSPHOR BRONZE	CONTACT AREA: GOLD 0.1μm min.
3	PHOSPHOR BRONZE	GOLD FLASH			LEAD AREA: GOLD FLASH
1	POLYAMIDE	BLACK, UL94V-0			UNDER PLATING: NICKEL 1μm min.
NO.	MATERIAL	FINISH, REMARKS	NO.	MATERIAL	FINISH, REMARKS

CODE NO. (OLD)	DRAWN	DESIGNED	CHECKED	APPROVED	RELEASED
	T.NODA	T.NODA	H.YAMAGUCHI	H.OKAWA	
	'05.12.12	'05.12.13	'05.12.13	'05.12.13	

SCALE 10 : 1	DRAWING NO. EDC3-156013	PART NO. FX12B-60P-0.4SV
UNITS mm	HRS HIROSE ELECTRIC CO., LTD	CODE NO. CL573-1007-6

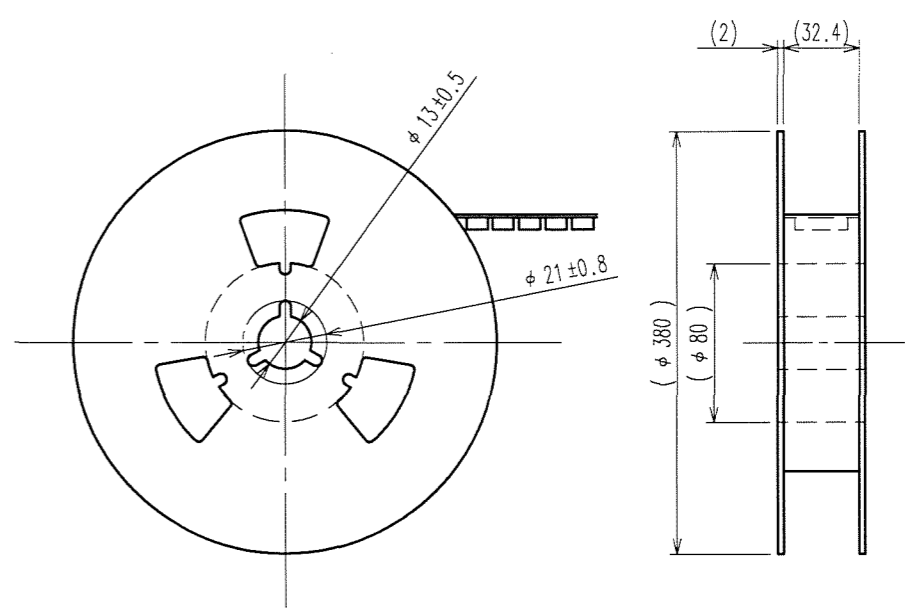
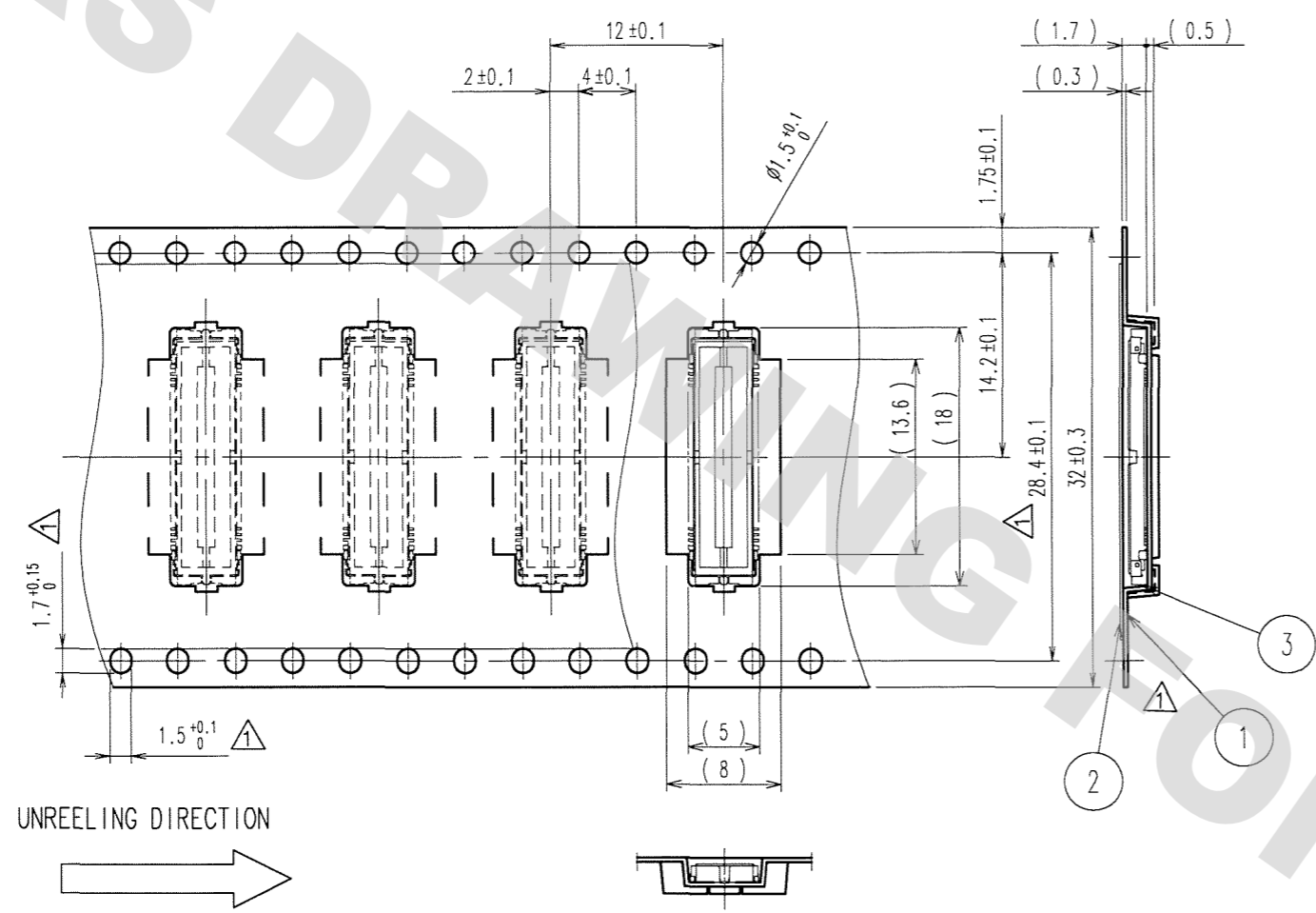
DRAWING FOR REFERENCE: This is subject to change without notice
08/11/2012

TO

DRAWING FOR REFERENCE: This is subject to change without notice
08/11/2012

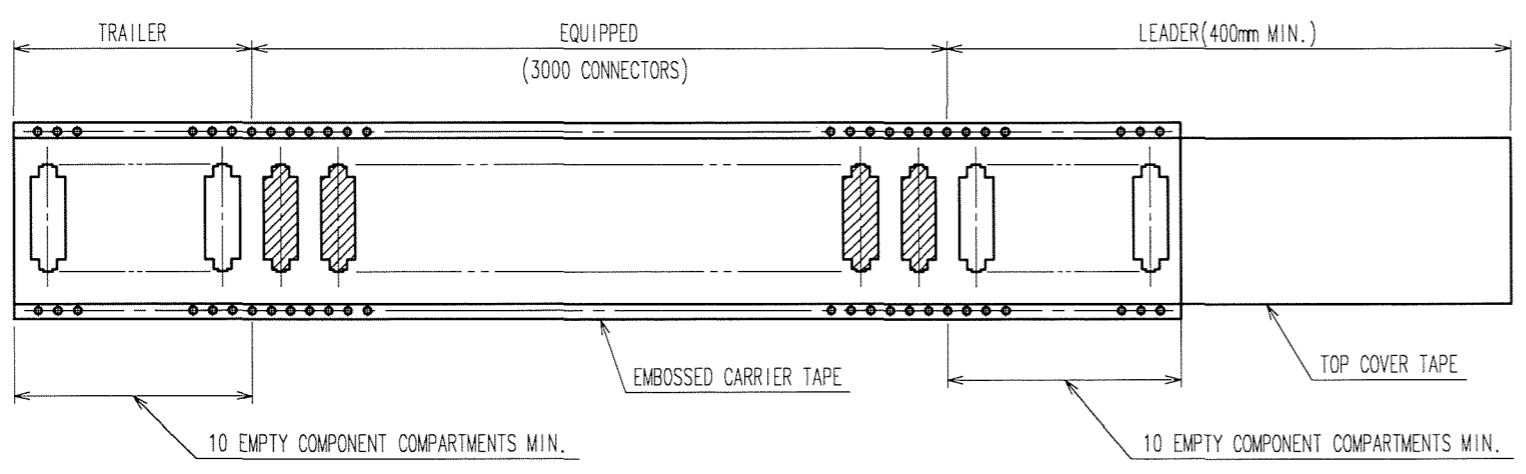
COUNT	DESCRIPTION OF REVISIONS	BY	CHKD	DATE	COUNT	DESCRIPTION OF REVISIONS	BY	CHKD	DATE

REEL DIMENSION (FREE)



UNREELING DIRECTION
→

NOTE 1. 1 REEL : 3000 CONNECTORS.
2. THE DIMENSIONS IN PARENTHESES ARE FOR REFERENCE.



3	(CONNECTOR)
2	POLYESTER (TOP COVER TAPE)
1	POLYSTYRENE (EMBOSSED CARRIER TAPE)

NO.	MATERIAL	FINISH, REMARKS	NO.	MATERIAL	FINISH, REMARKS

CODE NO. (OLD)	DRAWN	DESIGNED	CHECKED	APPROVED	RELEASED
	T.NODA	T.NODA	H.YAMAGUCHI	H.OKAWA	
	'05.12.12	'05.12.13	'05.12.13	'05.12.13	

SCALE	DRAWING NO.	PART NO.
2 : 1	EDC3-156013	FX12B-60P-0.4SV
UNITS	mm	CODE NO.
		CL573-1007-6

TO

DRAWING FOR REFERENCE: This is subject to change without notice
08/11/2012

■ NOTES WHEN MATING FX12 SERIES CONNECTORS.

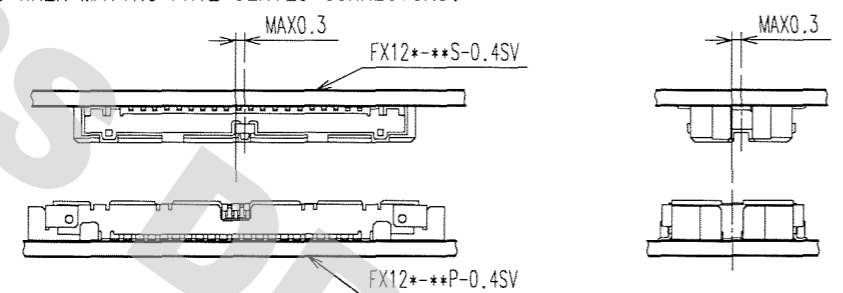


FIGURE-1

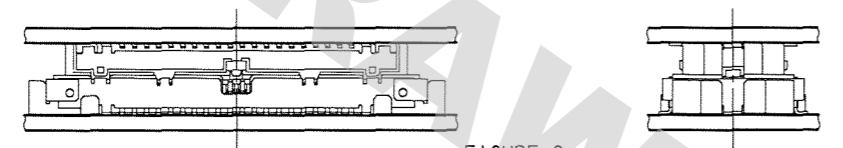


FIGURE-2

THE SELF ALIGNMENT RANGE OF THIS CONNECTOR IS 0.3 mm.
PLACE THE CONNECTORS AT THE INITIAL MATING POSITION WHERE ITS MISALIGNMENT IS WITHIN 0.3 mm.
THEN INSERT THE CONNECTOR ON THE CHAMFERED PARTS OF THE MATING-HALF'S OPENING. MAKE SURE TO
KEEP THE CONNECTORS PARALLEL TO EACH OTHER.
NOTE THAT ANGLED INSERTION OR THE PRESSURE APPLIED TO THE CONNECTORS BEFORE ALIGNMENT MAY
RESULT IN DAMAGE TO MOLDED HOUSING OR CONTACT DEFORMATION.

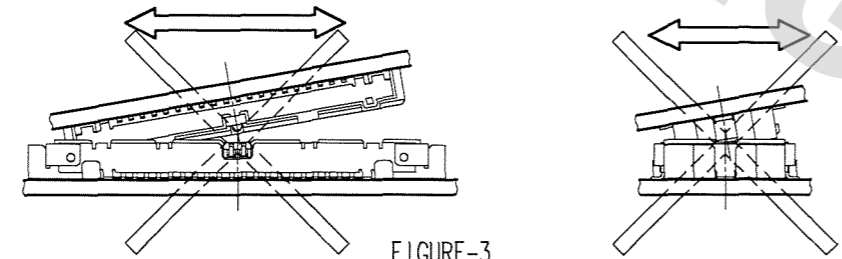


FIGURE-3

PRESS-DOWN EVENLY UNTIL SLIGHT RESISTANCE IS FELT.
OVERCOMING THIS SLIGHT RESISTANCE WILL COMPLETE THE MATING OF RECEPTACLE WITH HEADER.
A DEFINITE 'CLICK' SENSATION WILL CONFIRM THE FULLY MATED CONDITION.

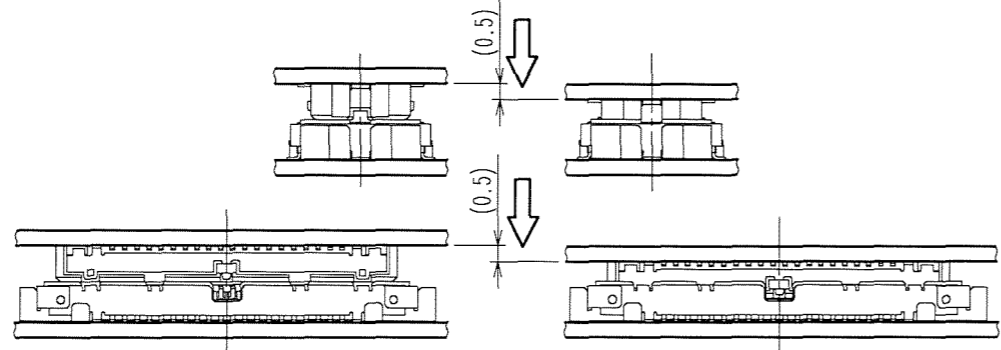


FIGURE-4

THE MATED CONDITIONS CAN BE RELEASED BY A DROP IMPACT OR THE APPLIED FORCE CAUSED BY FPC-HANDLING.
FIX THE CONNECTORS BY APPLYING PRESSURE IN THE MATING DIRECTION WITH THE DEVICE OR A BUFFER MATERIAL.

■ NOTES WHEN EXTRACTING

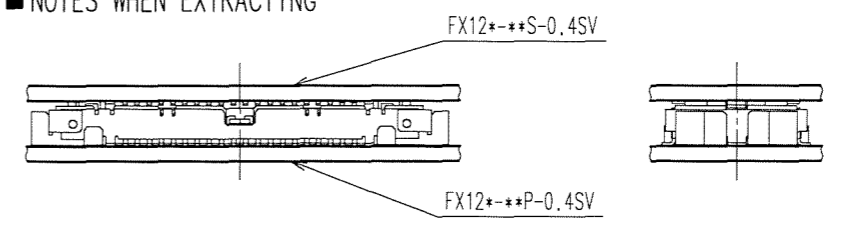


FIGURE-5

LEFT EVEN ONE SIDE, KEEPING BOTH BOARDS PARALLEL TO EACH OTHER.

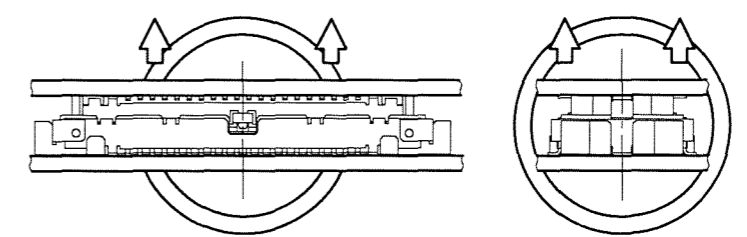


FIGURE-6

WHEN HANDLING CIRCUMSTANCES PREVENT THE CONNECTOR FROM BEING KEPT
LEVEL DURING UN-MATING, ONE END MAY BE LIFTED SEPARATE AS SHOWN ON FIGURE-7.
HOWEVER, TO UTILIZE THIS PROCEDURE THE CONNECTOR MUST BE MOUNTED ON
A SUFFICIENTLY RIGID CIRCUIT BOARD.
ANY DEFLECTION OF THE BOARD DURING THIS OPERATION MAY RESULT IN DAMAGE TO
THE CONNECTOR OR SOLDER JOINTS.
DO NOT ATTEMPT THE START OF THE UN-MATING OF THE CONNECTORS FROM ONE SIDE (FIGURE-8)

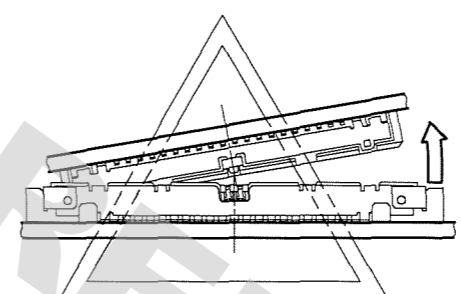


FIGURE-7

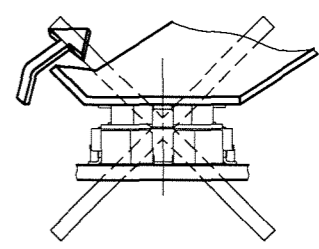


FIGURE-8

WHEN REMOVAL IS FROM THE WIDTH ORIENTATION AS ILLUSTRATED IN THE DIAGRAM TO THE LEFT,
DAMAGE COULD BE CAUSED TO THE CONNECTOR. DO NOT PERFORM REMOVAL FROM
THE WIDTH ORIENTATION.

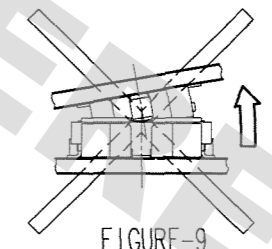


FIGURE-9

COUNT	DESCRIPTION OF REVISIONS	BY	CHKD	DATE	COUNT	DESCRIPTION OF REVISIONS	BY	CHKD	DATE

CODE NO. (OLD)	DRAWN	DESIGNED	CHECKED	APPROVED	RELEASED
	T.NODA	T.NODA	H.YAMAGUCHI	H.OKAWA	
	05.12.12	05.12.13	05.12.13	05.12.13	
CAUTIONS FOR USE	DRAWING NO. EDC3-156013		PART NO. FX12B-60P-0.4SV		
SCALE FREE	HRS HIROSE ELECTRIC CO., LTD		CODE NO. CL573-1007-6		
UNITS mm			3		

TO