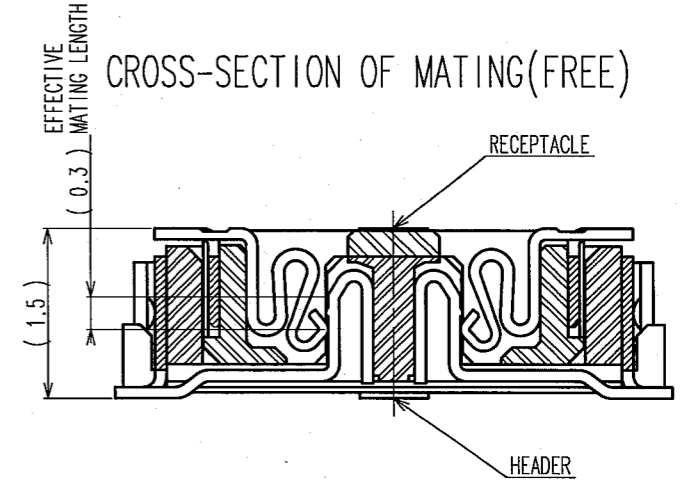
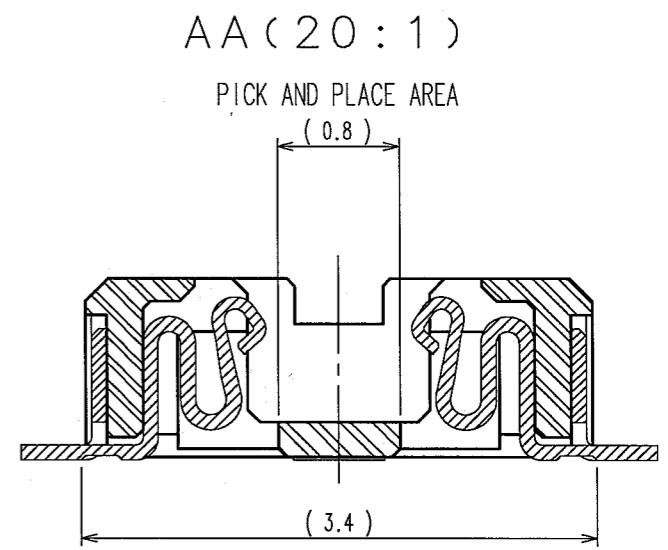
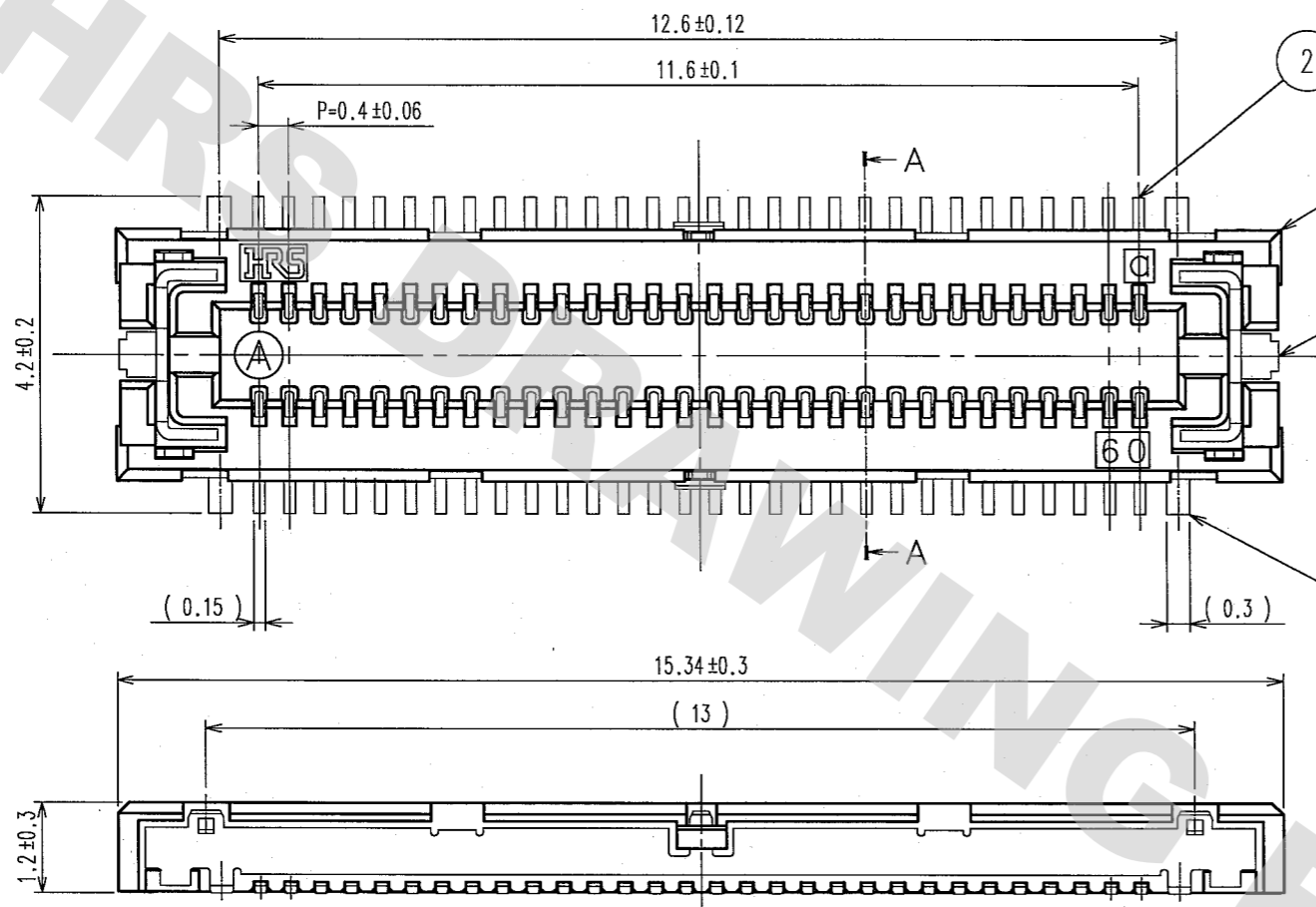
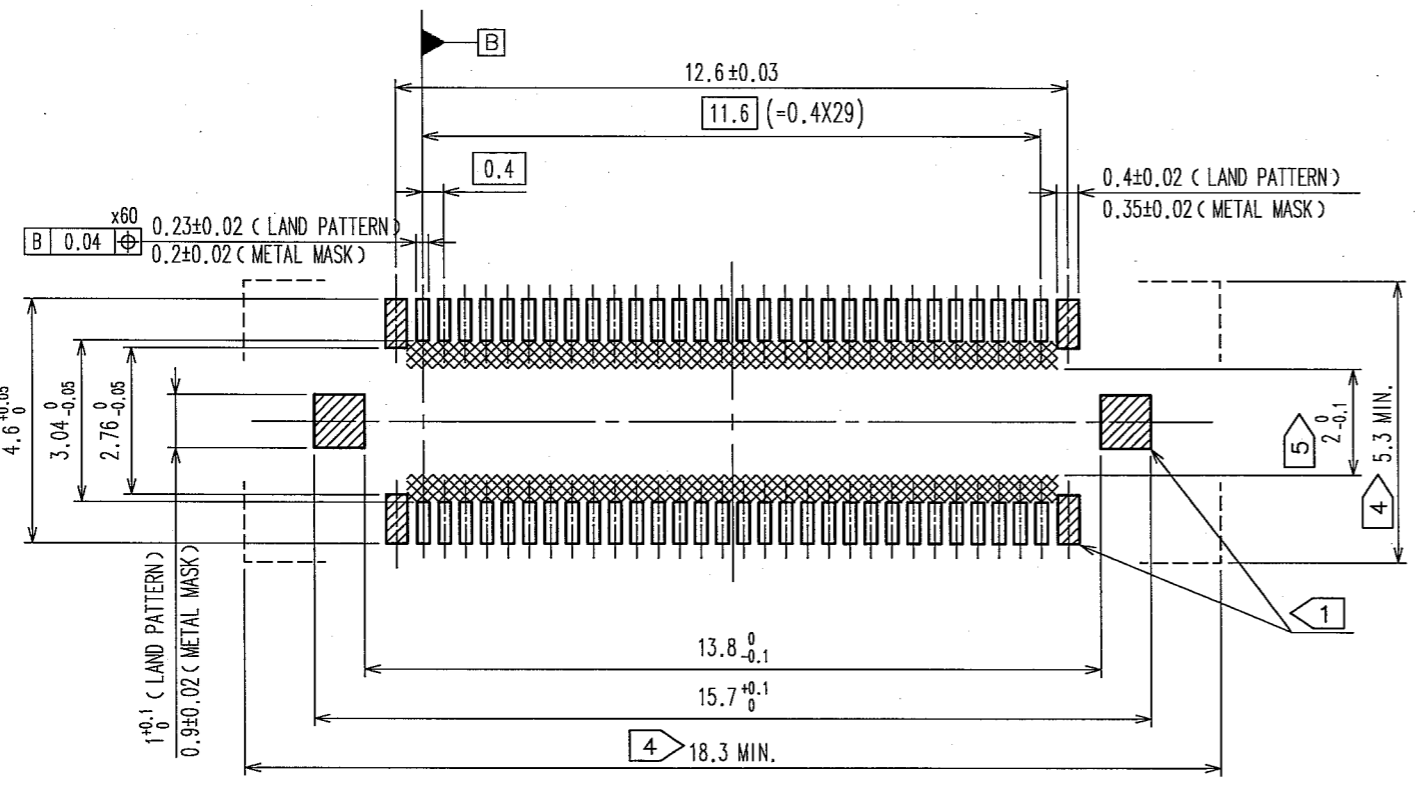


COUNT	DESCRIPTION OF REVISIONS	BY	CHKD	DATE	COUNT	DESCRIPTION OF REVISIONS	BY	CHKD	DATE
2	DIS-F-001191	K.N	H.O	06.08.02					



RECOMMENDED LAND PATTERN DIMENSION OF P.C.B (FREE)
 △ (METAL MASK THICKNESS: t=0.12)



- NOTES
- 6 HATCHED PARTS:GROUND CIRCUIT.
 - SMT LEAD-COPLANARITY:0.1MAX.
 - THIS PRODUCT HAS NO POLARITY TO PATTERN FOR MOUNTING.
 - DO NOT MOUNT OTHER DEVICES ONTO [] AREA, OR MATING PAIR CANNOT BE MATED.
 - MAKE SURE WIDTH OF PATTERN IS WITHIN THAT OF LAND , OR LEAD MAY TOUCH PATTERN. (THIS APPLIES TO HATCHED AREA)
 - EMBOSSED CARRIER TAPE PACKAGING SHALL BE APPLIED FOR THIS PRODUCT. SEE NEXT PAGE FOR DETAILS.
 - THE DIMENSIONS IN PARENTHESES ARE FOR REFERENCE.

4	PHOSPHOR BRONZE	TIN-PLATING	2	PHOSPHOR BRONZE	CONTACT AREA:GOLD 0.1μm min. LEAD AREA:GOLD FLASH
3	PHOSPHOR BRONZE	GOLD FLASH			UNDER PLATING:NICKEL 1μm min.
1	POLYAMIDE	BLACK,UL94V-0			

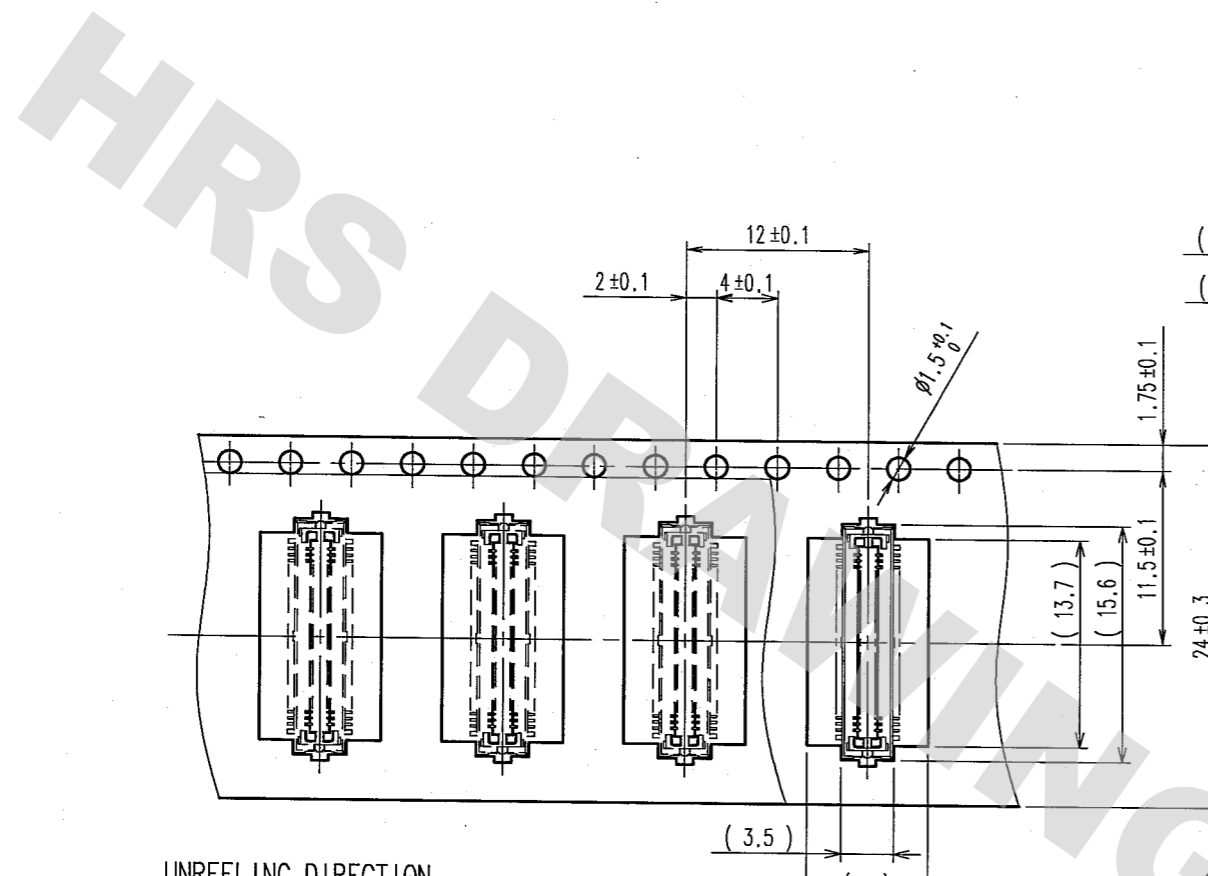
NO.	MATERIAL	FINISH, REMARKS	NO.	MATERIAL	FINISH, REMARKS		
CODE NO. (OLD)			DRAWN	DESIGNED	CHECKED	APPROVED	RELEASED
			T.NODA	T.NODA	H.YAMAGUCHI	H.OKAWA	
			'05.12.12	'05.12.13	'05.12.13	'05.12.13	

SCALE	10 : 1	DRAWING NO.	EDC3-156014	PART NO.	FX12B-60S-0.4SV
UNITS	mm	HRS	HIROSE ELECTRIC CO., LTD	CODE NO.	CL573-1008-9

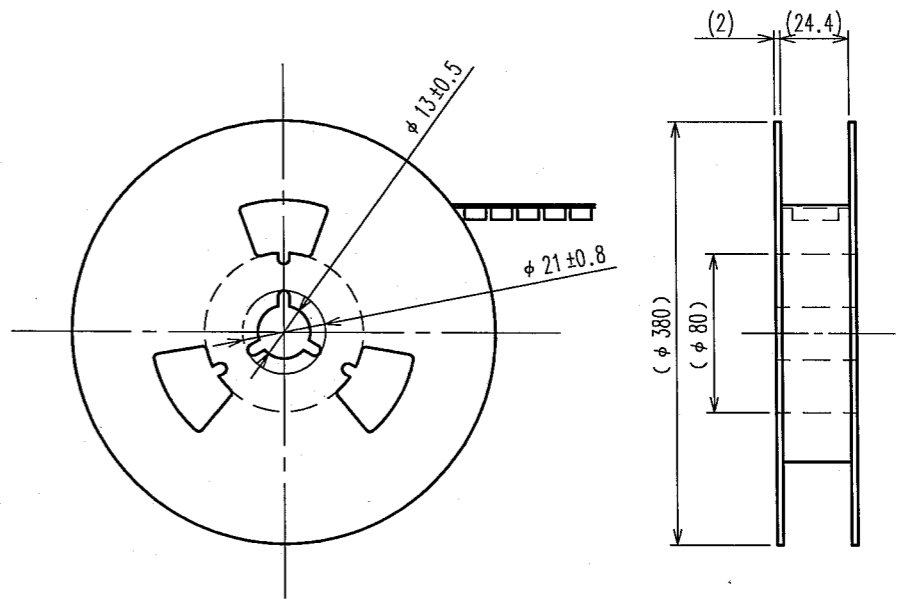
DRAWING FOR REFERENCE: This is subject to change without notice
08/11/2012

TO

COUNT	DESCRIPTION OF REVISIONS	BY	CHKD	DATE	COUNT	DESCRIPTION OF REVISIONS	BY	CHKD	DATE
△					△				
△					△				
△					△				

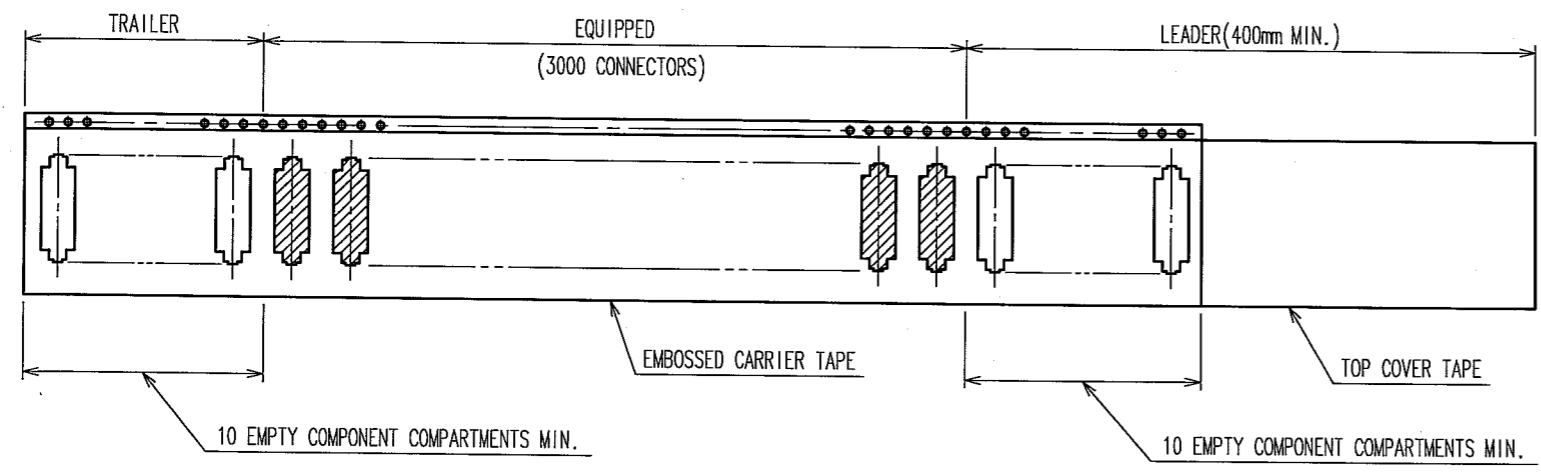


REEL DIMENSION (FREE)



UNREELING DIRECTION
→

NOTE 1. 1 REEL : 3000 CONNECTORS.
2. THE DIMENSIONS IN PARENTHESES ARE FOR REFERENCE.



3		(CONNECTOR)
2	POLYESTER	(TOP COVER TAPE)
1	POLYSTYRENE	(EMBOSSED CARRIER TAPE)

NO.	MATERIAL	FINISH, REMARKS	NO.	MATERIAL	FINISH, REMARKS
CODE NO. (OLD)			DRAWN		
DRAWING NO.			DESIGNED	CHECKED	APPROVED
SCALE			T.NODA	H.YAMAGUCHI	H.OKAWA
UNITS			'05.12.12	'05.12.13	'05.12.13
DRAWING NO.		EDC3-156014	PART NO.		
SCALE		2 : 1	FX12B-60S-0.4SV		
UNITS		mm	CODE NO.		
HRS		HIROSE ELECTRIC CO., LTD	CL573-1008-9		

DRAWING FOR REFERENCE: This is subject to change without notice
08/11/2012

TO