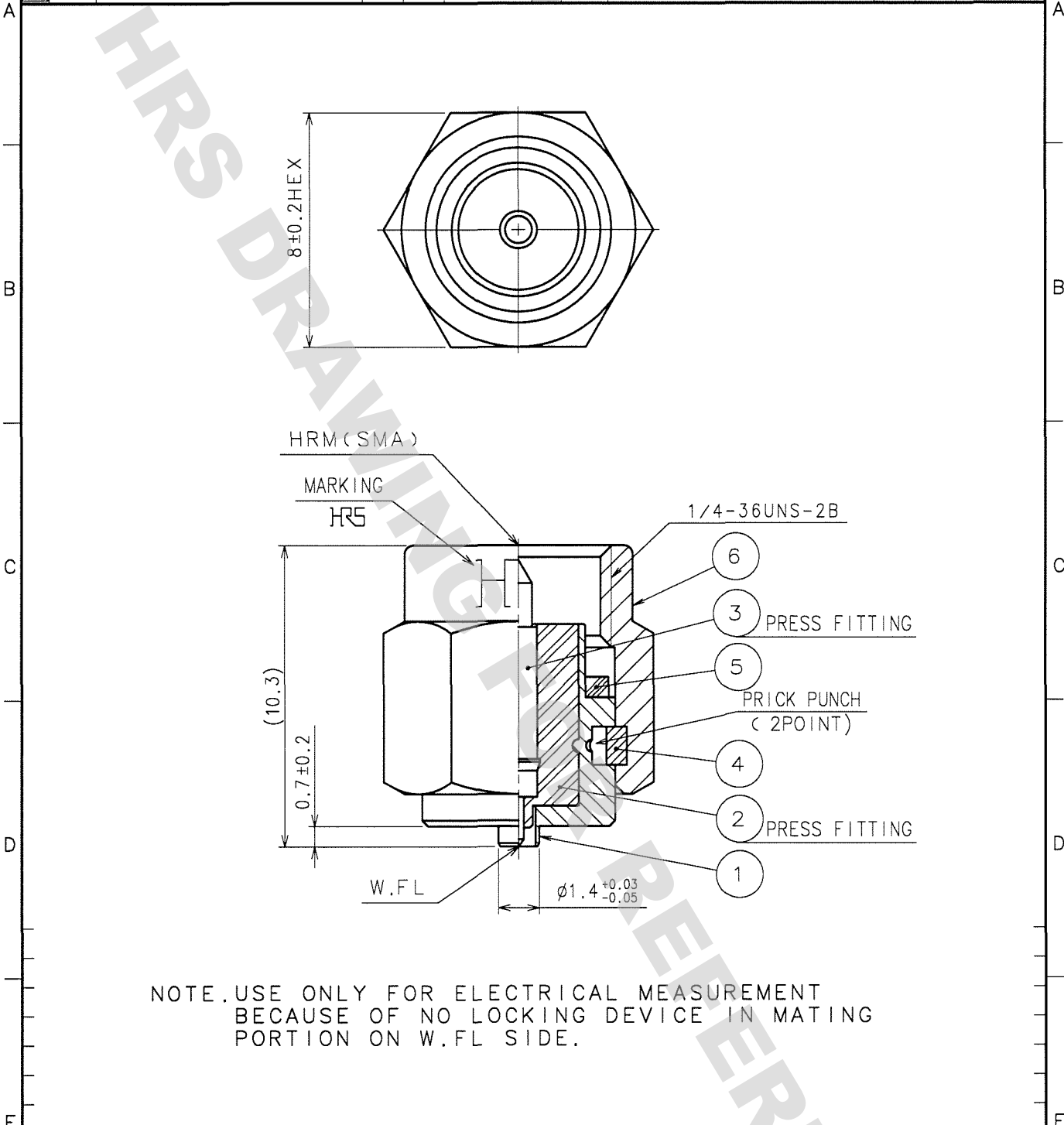


DRAWING FOR REFERENCE: This is subject to change without notice  
08/11/2012

1	2		3		4				
COUNT	DESCRIPTION OF REVISIONS	BY	CHKD	DATE	COUNT	DESCRIPTION OF REVISIONS	BY	CHKD	DATE
△					△				..
△					△				..
△					△				..



NOTE. USE ONLY FOR ELECTRICAL MEASUREMENT  
BECAUSE OF NO LOCKING DEVICE IN MATING  
PORTION ON W.F.L. SIDE.

3	PHOSPHOR BRONZE	GOLD PLATING	6	STAINLESS STEEL	PASSIVATE
2	PTFE		5	SILICONE RUBBER	(RED)
1	STAINLESS STEEL	NICKEL PLATING	4	BERYLLIUM COPPER	NICKEL PLATING
NO.	MATERIAL	FINISH, REMARKS	NO.	MATERIAL	FINISH, REMARKS

CODE NO. (OLD) CL	DRAWN h. Ninomiya '06.03.24	DESIGNED h. Ninomiya '06.03.24	CHECKED m. yamane '06.03.24	APPROVED S. Mitani '06.03.24	RELEASED
RoHS COMPLIANT					

TO
RF

 SACLE 5 : 1 UNITS mm	DRAWING NO. EDC4-300217-40	PART NO. HRMP-W.FLJ(40)
	 HIROSE ELECTRIC CO., LTD.	CODE NO. CL311-0367-3-40