

ISO722x Dual Channel Digital Isolators

1 Features

- 1, 5, 25, and 150-Mbps Signaling Rate Options
 - Low Channel-to-Channel Output Skew; 1-ns Max
 - Low Pulse-Width Distortion (PWD); 1-ns Max
 - Low Jitter Content; 1 ns Typ at 150 Mbps
- 50 kV/μs Typical Transient Immunity
- Operates with 2.8-V (C-Grade), 3.3-V, or 5-V Supplies
- 4-kV ESD Protection
- High Electromagnetic Immunity
- –40°C to 125°C Operating Range
- Typical 28-Year Life at Rated Voltage (see application report *High-Voltage Lifetime of the ISO72x Family of Digital Isolators (SLLA197)* and [Figure 22](#))
- VDE Basic Insulation with 4000-V_{PK} V_{IOTM}, 560 V_{PK} V_{IORM} per DIN V VDE V 0884-10 (VDE V 0884-10):2006-12 and DIN EN 61010-1 (VDE 0411-1)
- 2500 V_{RMS} Isolation per UL 1577
- CSA Approved for Component Acceptance Notice 5A and IEC 60950-1

2 Applications

- Industrial Fieldbus
 - Modbus
 - Profibus™
 - DeviceNet™ Data Buses
- Computer Peripheral Interface
- Servo Control Interface
- Data Acquisition

3 Description

The ISO7220x and ISO7221x devices are dual-channel digital isolators. To facilitate PCB layout, the channels are oriented in the same direction in the ISO7220x and in opposite directions in the ISO7221x. These devices have a logic input and output buffer separated by TI's silicon-dioxide (SiO₂) isolation barrier, providing galvanic isolation of up to 4000 V_{PK} per VDE. Used in conjunction with isolated power supplies, these devices block high voltage and isolate grounds, as well as prevent noise currents on a data bus or other circuits from entering the local ground and interfering with or damaging sensitive circuitry.

A binary input signal is conditioned, translated to a balanced signal, then differentiated by the capacitive isolation barrier. Across the isolation barrier, a differential comparator receives the logic transition information, then sets or resets a flip-flop and the output circuit accordingly. A periodic update pulse is sent across the barrier to ensure the proper dc level of the output. If this dc-refresh pulse is not received every 4 μs, the input is assumed to be unpowered or not being actively driven, and the failsafe circuit drives the output to a logic high state.

The small capacitance and resulting time constant provide fast operation with signaling rates available from 0 Mbps (DC) to 150 Mbps (The signaling rate of a line is the number of voltage transitions that are made per second expressed in the units bps). The A-option, B-option, and C-option devices have TTL input thresholds and a noise filter at the input that prevents transient pulses from being passed to the output of the device. The M-option devices have CMOS V_{CC}/2 input thresholds and do not have the input noise filter and the additional propagation delay.

The ISO7220x and ISO7221x devices require two supply voltages of 2.8 V (C-Grade), 3.3 V, 5 V, or any combination. All inputs are 5-V tolerant when supplied from a 2.8-V or 3.3-V supply and all outputs are 4-mA CMOS.

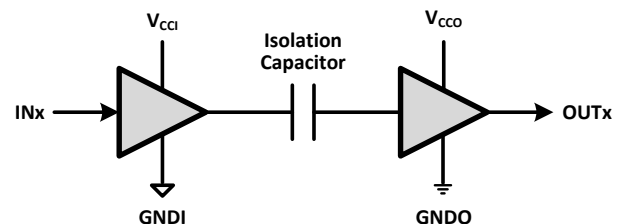
The ISO7220x and ISO7221x devices are characterized for operation over the ambient temperature range of –40°C to 125°C.

Device Information⁽¹⁾

| PART NUMBER | PACKAGE | BODY SIZE (NOM) |
|-------------|----------|-------------------|
| ISO7220x | SOIC (8) | 4.90 mm × 3.91 mm |
| ISO7221x | | |

(1) For all available packages, see the orderable addendum at the end of the data sheet.

Simplified Schematic



V_{CCI} and GNDI are supply and ground connections respectively for the input channels.

V_{CCO} and GNDO are supply and ground connections respectively for the output channels.



Table of Contents

| | | | |
|--|----------|--|-----------|
| 1 Features | 1 | 7 Parameter Measurement Information | 17 |
| 2 Applications | 1 | 8 Detailed Description | 18 |
| 3 Description | 1 | 8.1 Overview | 18 |
| 4 Revision History | 2 | 8.2 Functional Block Diagram | 18 |
| 5 Pin Configuration and Functions | 5 | 8.3 Feature Description | 19 |
| 6 Specifications | 5 | 8.4 Device Functional Modes | 21 |
| 6.1 Absolute Maximum Ratings | 5 | 9 Application and Implementation | 22 |
| 6.2 ESD Ratings | 5 | 9.1 Application Information | 22 |
| 6.3 Recommended Operating Conditions | 6 | 9.2 Typical Application | 22 |
| 6.4 Thermal Information | 6 | 10 Power Supply Recommendations | 24 |
| 6.5 Electrical Characteristics, 5 V | 7 | 11 Layout | 24 |
| 6.6 Electrical Characteristics, 5 V, 3.3 V | 8 | 11.1 Layout Guidelines | 24 |
| 6.7 Electrical Characteristics: 3.3 V, 5 V | 9 | 11.2 Layout Example | 24 |
| 6.8 Electrical Characteristics, 3.3 V | 10 | 12 Device and Documentation Support | 25 |
| 6.9 Electrical Characteristics, 2.8 V | 10 | 12.1 Documentation Support | 25 |
| 6.10 Dissipation Characteristics | 11 | 12.2 Related Links | 25 |
| 6.11 Switching Characteristics, 5 V | 11 | 12.3 Community Resources | 25 |
| 6.12 Switching Characteristics, 5 V, 3.3 V | 12 | 12.4 Trademarks | 25 |
| 6.13 Switching Characteristics, 3.3 V, 5 V | 12 | 12.5 Electrostatic Discharge Caution | 25 |
| 6.14 Switching Characteristics, 3.3 V | 13 | 12.6 Glossary | 25 |
| 6.15 Switching Characteristics, 2.8 V | 14 | 13 Mechanical, Packaging, and Orderable Information | 26 |
| 6.16 Typical Characteristics | 15 | | |

4 Revision History

NOTE: Page numbers for previous revisions may differ from page numbers in the current version.

| Changes from Revision M (October 2014) to Revision N | Page |
|--|------|
| • Changed the VDE Certification from: DIN EN 60747-5-5 (VDE 0884-5) to: DIN V VDE V 0884-10 (VDE V 0884-10):2006-12 throughout the document | 1 |
| • Updated the <i>Simplified Schematic</i> to a higher quality version. | 1 |
| • Changed the max value of the IN and OUT voltage from 6 to $V_{CC} + 0.5$ in the <i>Absolute Maximum Ratings</i> table | 5 |
| • Added = 150°C to insulation resistance test condition in the <i>DIN V VDE V 0884-10 (VDE V 0884-10):2006-12 Insulation Characteristics</i> table. | 19 |
| • Changed L(I01) MIN value from 4.8 to 4 in the <i>IEC Package Characteristics</i> table | 19 |
| • Changed L(I01) MIN value from 4.8 to 4 in the <i>IEC Package Characteristics</i> table | 19 |
| • Added the JEDEC package dimensions note in the <i>IEC Package Characteristics</i> table | 19 |
| • Changed the DTI test condition From: IEC 60112 / VDE 0303 Part 1 To: DIN EN 60112 (VDE 0303-11); IEC 60112 | 20 |
| • Added the DTI parameter to the <i>IEC Package Characteristics</i> table | 20 |
| • Added table row with input side $V_{CC} = X$ to the <i>ISO7220x or ISO7221x Function</i> table | 21 |

| Changes from Revision L (January 2012) to Revision M | Page |
|--|------|
| • Changed the title of this data sheet to <i>ISO722x Dual Channel Digital Isolators</i> | 1 |
| • Added <i>Pin Configuration and Functions</i> section, <i>Handling Rating</i> table, <i>Dissipation Ratings</i> table, <i>Feature Description</i> section, <i>Device Functional Modes</i> , <i>Application and Implementation</i> section, <i>Power Supply Recommendations</i> section, <i>Layout</i> section, <i>Device and Documentation Support</i> section, and <i>Mechanical, Packaging, and Orderable Information</i> section, changed <i>Thermal Information</i> table | 1 |
| • Updated the Features section | 1 |
| • Added per VDE to 4000 V_{PK} in second sentence of Description | 1 |
| • Updated the <i>Regulatory Information Table</i> | 5 |

| | |
|--|----|
| • Added the min and max values to the Storage temperature parameter in the <i>Absolute Maximum Ratings</i> table. | 5 |
| • Changed in ROC table Max col, V_{IH} row from VCC to 5.5 | 6 |
| • Changed the Device Options table, Input Threshold column from ≠ symbol to ~ symbol 6 places | 19 |
| • Changed the 7.4 title from IEC 60747 ~2 Insulation Characteristics to DIN EN ~ 5 Insulation Characteristics | 19 |
| • Changed <i>Isolation Glossary</i> | 25 |

Changes from Revision K (January 2010) to Revision L
Page

| | |
|--|----|
| • Changed Feature From: Operates with 3.3-V or 5-V Supplies To: Operates with 2.8-V (C-Grade), 3.3-V or 5-V Supplies . | 1 |
| • Changed Feature From: 4000- V_{peak} Isolation, 560 V_{peak} V_{IORM} To: 4000- V_{PK} V_{IOTM} , 560 V_{PK} V_{IORM} per IEC 60747-5-2 (VDE 0884, Rev2) | 1 |
| • Added device options to V_{CC} in the RECOMMENDED OPERATING CONDITIONS table | 6 |
| • Changed Note: (1) in the RECOMMENDED OPERATING CONDITIONS table | 6 |
| • Changed I_{CC1} and I_{CC2} test conditions in the 5-V table..... | 7 |
| • Changed I_{CC1} and I_{CC2} test conditions in the V_{CC1} at 5 V, V_{CC2} at 3.3 V table..... | 8 |
| • Changed I_{CC1} and I_{CC2} test conditions in the V_{CC1} at 3.3 V, V_{CC2} at 5 V table..... | 9 |
| • Changed I_{CC1} and I_{CC2} test conditions in the V_{CC1} and V_{CC2} at 3.3 V table | 10 |
| • Changed Table Note (1) | 10 |
| • Added ELECTRICAL and Switching CHARACTERISTICS table for V_{CC1} and V_{CC2} at 2.8 V (ISO722xC-Only) | 10 |
| • Changed Figure 9 | 15 |
| • Changed Figure 14 | 17 |
| • Changed the CTI MIN value From: ≥175 V To: ≥400 V | 20 |
| • Updated the <i>Regulatory Information</i> table..... | 20 |

Changes from Revision J (May 2009) to Revision K
Page

| | |
|---|----|
| • Changed the RECOMMENDED OPERATING CONDITIONS so that Note (2) is associated with all device options in the Input pulse width and Signaling rate | 6 |
| • Changed Note (2) From: Typical signaling rate under ideal conditions at 25°C. To: Typical signaling rate and Input pulse width are measured at ideal conditions at 25°C. | 6 |
| • Changed column 2 of the AVAILABLE OPTIONS table From: Signaling Rate To: Max Signaling Rate | 19 |

Changes from Revision I (December 2008) to Revision J
Page

| | |
|---|----|
| • Changed ISO7221C Marked As column From: TI7221C To: I7221C in the AVAILABLE OPTIONS table | 19 |
|---|----|

Changes from Revision H (May 2008) to Revision I
Page

| | |
|--|---|
| • Added "IEC 61010-1, IEC 60950-1 and CSA Approved" to the UL 1577 FEATURES bullet | 1 |
|--|---|

Changes from Revision G (March 2008) to Revision H
Page

| | |
|--|----|
| • Added Note: (1) to the RECOMMENDED OPERATING CONDITIONS table | 6 |
| • Added Note (1): to the ELECTRICAL CHARACTERISTICS: V_{CC1} and V_{CC2} at 3.3 V..... | 10 |

| Changes from Revision F (August 2007) to Revision G | Page |
|---|------|
| • Added Part Numbers ISO7220B and ISO7221B to the data sheet..... | 1 |
| • Added 5-Mbps Signaling rate to the FEATURES list | 1 |
| • Added Part Numbers ISO7220B and ISO7221B to the ELECTRICAL CHARACTERISTICS: V_{CC1} and V_{CC2} at 5-V table ... | 7 |
| • Added Part Numbers ISO7220B and ISO7221B to the ELECTRICAL CHARACTERISTICS: V_{CC1} at 5 V, V_{CC2} at 3.3 V table..... | 8 |
| • Added Part Numbers ISO7220B and ISO7221B to the ELECTRICAL CHARACTERISTICS: V_{CC1} at 3.3 V, V_{CC2} at 5 V table..... | 9 |
| • Added Part Numbers ISO7220B and ISO7221B to the ELECTRICAL CHARACTERISTICS: V_{CC1} and V_{CC2} at 3.3 V | 10 |
| • Added PROPAGATION DELAY vs FREE-AIR TEMPERATURE, ISO722xB, Figure 4 | 15 |
| • Added Part Numbers ISO7220B and ISO7221B to the AVAILABLE OPTIONS table..... | 19 |

| Changes from Revision E (July 2007) to Revision F | Page |
|---|------|
| • Added $t_{sk(pp)}$ footnote to the SWITCHING CHARACTERISTICS: V_{CC1} and V_{CC2} at 5-V OPERATION table | 11 |
| • Added $t_{sk(o)}$ footnote to the SWITCHING CHARACTERISTICS: V_{CC1} and V_{CC2} at 5-V OPERATION table..... | 11 |
| • Added $t_{sk(pp)}$ footnote to the SWITCHING CHARACTERISTICS: V_{CC1} at 5 V, V_{CC2} at 3.3 V OPERATION table..... | 12 |
| • Added $t_{sk(o)}$ footnote to the SWITCHING CHARACTERISTICS: V_{CC1} at 5 V, V_{CC2} at 3.3 V OPERATION table | 12 |
| • Added $t_{sk(pp)}$ footnote to the SWITCHING CHARACTERISTICS: V_{CC1} at 3.3 V, V_{CC2} at 5 V OPERATION table..... | 12 |
| • Added $t_{sk(o)}$ footnote to the SWITCHING CHARACTERISTICS: V_{CC1} at 3.3 V, V_{CC2} at 5 V OPERATION table | 13 |
| • Added $t_{sk(pp)}$ footnote to the SWITCHING CHARACTERISTICS table..... | 13 |
| • Added $t_{sk(o)}$ footnote to the SWITCHING CHARACTERISTICS table | 13 |
| • Changed Figure 1 - Re-scaled the Y-axis | 15 |
| • Changed Figure 2 - New Curves..... | 15 |

| Changes from Revision D (June 2007) to Revision E | Page |
|---|------|
| • Changed Figure 1 - New Curves..... | 15 |
| • Changed Figure 2 - Re-scaled the Y-axis | 15 |

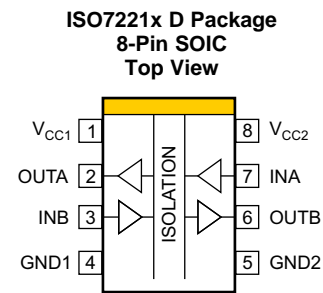
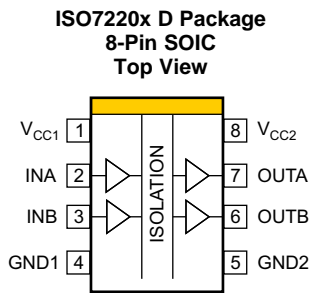
| Changes from Revision C (May 2007) to Revision D | Page |
|--|------|
| • Changed Figure 20 - Pin 2 (INA) label From: OUTPUT to INPUT..... | 23 |

| Changes from Revision B (May 2007) to Revision C | Page |
|---|------|
| • Added the Signaling rate values to the RECOMMENDED OPERATING CONDITIONS table..... | 6 |
| • Added Figure 12 cross reference to the Peak-to-peak eye-pattern jitter of the SWITCHING CHARACTERISTICS table.. | 11 |
| • Added Figure 12 cross reference to the Peak-to-peak eye-pattern jitter of the SWITCHING CHARACTERISTICS table.. | 12 |
| • Added Figure 12 cross reference to the Peak-to-peak eye-pattern jitter of the SWITCHING CHARACTERISTICS table.. | 13 |
| • Added Figure 12 cross reference to the Peak-to-peak eye-pattern jitter of the SWITCHING CHARACTERISTICS table.. | 13 |
| • Changed the IEC 60664-1 RATINGS TABLE - Specification I-III test conditions From: Rated mains voltage ≤ 150 VRMS To: Rated mains voltage ≤ 300 VRMS. Added a row for the I-II specifications..... | 20 |
| • Added Figure 22 - Time Dependent Dielectric Breakdown Test Results | 23 |

| Changes from Revision A (August 2006) to Revision B | Page |
|---|-------------|
| • Added the TYPICAL CHARACTERISTIC CURVES to the data sheet. | 15 |
| • Added the PARAMETER MEASUREMENT INFORMATION to the data sheet | 17 |
| • Added the ELECTRICAL CHARACTERISTICS tables to the data sheet | 20 |
| • Added the APPLICATION INFORMATION section to the data sheet..... | 22 |
| • Added the ISOLATION GLOSSARY section to the data sheet | 25 |

| Changes from Original (July 2006) to Revision A | Page |
|--|-------------|
| • Deleted "and CSA Apporved" from the UL 1577 FEATURES bullet..... | 1 |
| • Added option A to the AVAILABLE OPTIONS table | 19 |

5 Pin Configuration and Functions



Pin Functions

| NAME | PIN | | I/O | DESCRIPTION |
|-----------|----------|----------|-----|---------------------------------|
| | ISO7220x | ISO7221x | | |
| INA | 2 | 7 | I | Input, channel A |
| INB | 3 | 3 | I | Input, channel B |
| GND1 | 4 | 4 | — | Ground connection for V_{CC1} |
| GND2 | 5 | 5 | — | Ground connection for V_{CC2} |
| OUTA | 7 | 2 | O | Output, channel A |
| OUTB | 6 | 6 | O | Output, channel B |
| V_{CC1} | 1 | 1 | — | Power supply, V_{CC1} |
| V_{CC2} | 8 | 8 | — | Power supply, V_{CC2} |

6 Specifications

6.1 Absolute Maximum Ratings

over operating free-air temperature range (unless otherwise noted)⁽¹⁾

| | MIN | MAX | UNIT |
|--|------|-------------------------------|------|
| V_{CC} Supply voltage ⁽²⁾ , V_{CC1} , V_{CC2} | -0.5 | 6 | V |
| V_I Voltage at IN, OUT | -0.5 | $V_{CC} + 0.5$ ⁽³⁾ | V |
| I_O Output current | -15 | 15 | mA |
| T_J Maximum junction temperature | | 170 | °C |
| T_{stg} Storage temperature | -65 | 150 | °C |

- Stresses beyond those listed under *Absolute Maximum Ratings* can cause permanent damage to the device. These ratings are stress ratings only and functional operation of the device at these or any other conditions beyond those indicated under *Recommended Operating Conditions* is not implied. Exposure to absolute-maximum-rated conditions for extended periods can affect device reliability.
- All voltage values except differential I/O bus voltages are with respect to network ground pin and are peak voltage values.
- Maximum voltage must not exceed 6 V.

6.2 ESD Ratings

| | VALUE | UNIT |
|-------------------------------------|--|-------|
| $V_{(ESD)}$ Electrostatic discharge | Human body model (HBM), per ANSI/ESDA/JEDEC JS-001, all pins ⁽¹⁾ | ±4000 |
| | Charged device model (CDM), per JEDEC specification JESD22-C101, all pins ⁽²⁾ | ±1000 |
| | Machine Model, ANSI/ESDS5.2-1996 | ±200 |

- JEDEC document JEP155 states that 500-V HBM allows safe manufacturing with a standard ESD control process.
- JEDEC document JEP157 states that 250-V CDM allows safe manufacturing with a standard ESD control process.

6.3 Recommended Operating Conditions

| | | | MIN | NOM | MAX | UNIT |
|-------------------|---|------------------------------|---------------------|------|---------------------|------|
| V _{CC} | Supply voltage ⁽¹⁾ , V _{CC1} , V _{CC2} | ISO722xA, ISO722xB, ISO722xM | 3 | | 5.5 | V |
| | | ISO722xC | 2.8 | | 5.5 | |
| I _{OH} | High-level output current | | –4 | | | mA |
| I _{OL} | Low-level output current | | | | 4 | mA |
| t _{ui} | Input pulse width ⁽²⁾ | ISO722xA | 1 | 0.67 | | μs |
| | | ISO722xB | 200 | 100 | | ns |
| | | ISO722xC | 40 | 33 | | |
| | | ISO722xM | 6.67 | 5 | | |
| 1/t _{ui} | Signaling rate ⁽²⁾ | ISO722xA | 0 | 1500 | 1000 | kbps |
| | | ISO722xB | 0 | 10 | 5 | Mbps |
| | | ISO722xC | 0 | 30 | 25 | |
| | | ISO722xM | 0 | 200 | 150 | |
| V _{IH} | High-level input voltage | ISO722xA, ISO722xB, ISO722xC | 2 | | 5.5 | V |
| V _{IL} | Low-level input voltage | | 0 | | 0.8 | V |
| V _{IH} | High-level input voltage | ISO722xM | 0.7 V _{CC} | | V _{CC} | V |
| V _{IL} | Low-level input voltage | | 0 | | 0.3 V _{CC} | V |
| T _J | Junction temperature | | –40 | | 150 | °C |
| H | External magnetic field-strength immunity per IEC 61000-4-8 and IEC 61000-4-9 certification | | | | 1000 | A/m |

- (1) For the 5-V operation, V_{CC1} or V_{CC2} is specified from 4.5 V to 5.5 V.
For the 3.3-V operation, V_{CC1} or V_{CC2} is specified from 3 V to 3.6 V.
For the 2.8-V operation, V_{CC1} or V_{CC2} is specified at 2.8 V.
- (2) Typical signaling rate and input pulse width are measured at ideal conditions at 25°C.

6.4 Thermal Information

| THERMAL METRIC ⁽¹⁾ | | ISO7220x ISO7221x | UNIT | |
|-------------------------------|--|---|------|------|
| | | D (SOIC) | | |
| | | 8 PINS | | |
| R _{θJA} | Junction-to-ambient thermal resistance | Low-K Thermal Resistance ⁽²⁾ | 212 | °C/W |
| | | High-K Thermal Resistance | 122 | |
| R _{θJC(top)} | Junction-to-case (top) thermal resistance | | 69.1 | °C/W |
| R _{θJB} | Junction-to-board thermal resistance | | 47.7 | °C/W |
| ψ _{JT} | Junction-to-top characterization parameter | | 15.2 | °C/W |
| ψ _{JB} | Junction-to-board characterization parameter | | 47.2 | °C/W |
| R _{θJC(bot)} | Junction-to-case (bottom) thermal resistance | | — | °C/W |

- (1) For more information about traditional and new thermal metrics, see the *Semiconductor and IC Package Thermal Metrics* application report ([SPRA953](#)).
- (2) Tested in accordance with the Low-K or High-K thermal metric definitions of EIA/JESD51-3 for leaded surface mount packages.

6.5 Electrical Characteristics, 5 V

V_{CC1} and V_{CC2} at $5\text{ V} \pm 10\%$ (over recommended operating conditions unless otherwise noted.)

| PARAMETER | | TEST CONDITIONS | | MIN | TYP | MAX | UNIT |
|-----------------------|--------------------------------|---|-------------------------------------|----------------|--------------------------------------|-----|-------------------|
| SUPPLY CURRENT | | | | | | | |
| I_{CC1} | ISO7220x | Quiescent | $V_I = V_{CC}$ or 0 V, no load | 1 | 2 | | mA |
| | ISO7221 | | | 8.5 | 17 | | |
| | ISO7220A, ISO7220B | 1 Mbps | 0.5 MHz Input Clock Signal, no load | 2 | 3 | | mA |
| | ISO7221A, ISO7221B | | | 10 | 18 | | |
| | ISO7220C, ISO7220M | | | 25 Mbps | 12.5 MHz Input Clock Signal, no load | 4 | |
| ISO7221C, ISO7221M | 12 | 22 | | | | | |
| I_{CC2} | ISO7220x | Quiescent | $V_I = V_{CC}$ or 0 V, no load | 16 | 31 | | mA |
| | ISO7221x | | | 8.5 | 17 | | |
| | ISO7220A, ISO7220B | 1 Mbps | 0.5 MHz Input Clock Signal, no load | 17 | 32 | | mA |
| | ISO7221A, ISO7221B | | | 10 | 18 | | |
| | ISO7220C, ISO7220M | | | 25 Mbps | 12.5 MHz Input Clock Signal, no load | 20 | |
| ISO7221C, ISO7221M | 12 | 22 | | | | | |
| V_{OH} | High-level output voltage | $I_{OH} = -4\text{ mA}$, See Figure 13 | | $V_{CC} - 0.8$ | 4.6 | | V |
| | | $I_{OH} = -20\text{ }\mu\text{A}$, See Figure 13 | | $V_{CC} - 0.1$ | 5 | | |
| V_{OL} | Low-level output voltage | $I_{OL} = 4\text{ mA}$, See Figure 13 | | | 0.2 | 0.4 | V |
| | | $I_{OL} = 20\text{ }\mu\text{A}$, See Figure 13 | | | 0 | 0.1 | |
| $V_{I(HYS)}$ | Input voltage hysteresis | | | | 150 | | mV |
| I_{IH} | High-level input current | IN from 0 V to V_{CC} | | | | 10 | μA |
| I_{IL} | Low-level input current | IN from 0 V to V_{CC} | | -10 | | | μA |
| C_1 | Input capacitance to ground | IN at V_{CC} , $V_I = 0.4\text{ sin}(4E6\pi t)$ | | | 1 | | pF |
| CMTI | Common-mode transient immunity | $V_I = V_{CC}$ or 0 V, See Figure 15 | | 25 | 50 | | kV/ μs |

6.6 Electrical Characteristics, 5 V, 3.3 V

 V_{CC1} at 5 V \pm 10%, V_{CC2} at 3.3 V \pm 10% (over recommended operating conditions unless otherwise noted.)

| PARAMETER | | TEST CONDITIONS | | MIN | TYP | MAX | UNIT |
|-----------------------|--------------------------------|---------------------------------|---|----------------|-----|-----|-------------|
| SUPPLY CURRENT | | | | | | | |
| I_{CC1} | ISO7220x | Quiescent | $V_I = V_{CC}$ or 0 V, no load | 1 | 2 | | mA |
| | ISO7221x | | | 8.5 | 17 | | |
| | ISO7220A, ISO7220B | 1 Mbps | 0.5 MHz Input Clock Signal, no load | 2 | 3 | | mA |
| | ISO7221A, ISO7221B | | | 10 | 18 | | |
| | ISO7220C, ISO7220M | 25 Mbps | 12.5 MHz Input Clock Signal, no load | 4 | 9 | | mA |
| ISO7221C, ISO7221M | 12 | | | 22 | | | |
| I_{CC2} | ISO7220x | Quiescent | $V_I = V_{CC}$ or 0 V, no load | 8 | 18 | | mA |
| | ISO7221x | | | 4.3 | 9.5 | | |
| | ISO7220A, ISO7220B | 1 Mbps | 0.5 MHz Input Clock Signal, no load | 9 | 19 | | mA |
| | ISO7221A, ISO7221B | | | 5 | 11 | | |
| | ISO7220C, ISO7220M | 25 Mbps | 12.5 MHz Input Clock Signal, no load | 10 | 20 | | mA |
| ISO7221C, ISO7221M | 6 | | | 12 | | | |
| V_{OH} | High-level output voltage | ISO7220x, ISO7221x (3.3-V side) | $I_{OH} = -4$ mA, See Figure 13 | $V_{CC} - 0.4$ | | | V |
| | | ISO7221x (5-V side) | | $V_{CC} - 0.8$ | | | |
| | | All devices | $I_{OH} = -20$ μ A, See Figure 13 | $V_{CC} - 0.1$ | | | |
| V_{OL} | Low-level output voltage | | $I_{OL} = 4$ mA, See Figure 13 | | | 0.4 | V |
| | | | $I_{OL} = 20$ μ A, See Figure 13 | | | 0.1 | |
| $V_{I(HYS)}$ | Input voltage hysteresis | | | | 150 | | mV |
| I_{IH} | High-level input current | | IN from 0 V to V_{CC} | | | 10 | μ A |
| I_{IL} | Low-level input current | | IN from 0 V to V_{CC} | -10 | | | μ A |
| C_I | Input capacitance to ground | | IN at V_{CC} , $V_I = 0.4 \sin(4E6\pi t)$ | | 1 | | pF |
| CMTI | Common-mode transient immunity | | $V_I = V_{CC}$ or 0 V, See Figure 15 | 15 | 40 | | kV/ μ s |

6.7 Electrical Characteristics: 3.3 V, 5 V

V_{CC1} at 3.3 V \pm 10%, V_{CC2} at 5 V \pm 10% (over recommended operating conditions unless otherwise noted.)

| PARAMETER | | TEST CONDITIONS | | MIN | TYP | MAX | UNIT |
|-----------------------|------------------------------------|-------------------------------|--|----------------|-----|-----|-------------|
| SUPPLY CURRENT | | | | | | | |
| I_{CC1} | ISO7220x | Quiescent | $V_I = V_{CC}$ or 0 V, no load | 0.6 | | 1 | mA |
| | ISO7221x | | | 4.3 | | 9.5 | |
| | ISO7220A, ISO7220B | 1 Mbps | 0.5 MHz Input Clock Signal, no load | 1 | | 2 | mA |
| | ISO7221A, ISO7221B | | | 5 | | 11 | |
| | ISO7220C, ISO7220M | 25 Mbps | 12.5 MHz Input Clock Signal, no load | 2 | | 4 | mA |
| ISO7221C, ISO7221M | 6 | | | | 12 | | |
| I_{CC2} | ISO7220x | Quiescent | $V_I = V_{CC}$ or 0 V, no load | 16 | | 31 | mA |
| | ISO7221x | | | 8.5 | | 17 | |
| | ISO7220A, ISO7220B | 1 Mbps | 0.5 MHz Input Clock Signal, no load | 18 | | 32 | mA |
| | ISO7221A, ISO7221B | | | 10 | | 18 | |
| | ISO7220C, ISO7220M | 25 Mbps | 12.5 MHz Input Clock Signal, no load | 20 | | 34 | mA |
| ISO7221C, ISO7221M | 12 | | | | 22 | | |
| V_{OH} | High-level output voltage | ISO7220x, ISO7221x (5-V side) | $I_{OH} = -4$ mA, See Figure 13 | $V_{CC} - 0.8$ | | V | |
| | | ISO7221x (3.3-V side) | | $V_{CC} - 0.4$ | | | |
| | | All devices | | $V_{CC} - 0.1$ | | | |
| V_{OL} | Low-level output voltage | | $I_{OL} = 4$ mA, See Figure 13 | 0.4 | | | |
| | | | $I_{OL} = 20$ μ A, See Figure 13 | 0 | 0.1 | | |
| $V_{I(HYS)}$ | Input threshold voltage hysteresis | | | 150 | | mV | |
| I_{IH} | High-level input current | | IN from 0 V or V_{CC} | | | 10 | μ A |
| I_{IL} | Low-level input current | | IN from 0 V or V_{CC} | -10 | | | μ A |
| C_1 | Input capacitance to ground | | IN at V_{CC} , $V_I = 0.4 \sin(4E6\pi t)$ | | 1 | | pF |
| CMTI | Common-mode transient immunity | | $V_I = V_{CC}$ or 0 V, See Figure 15 | 15 | 40 | | kV/ μ s |

6.8 Electrical Characteristics, 3.3 V

 V_{CC1} and V_{CC2} at 3.3 V \pm 10% (over recommended operating conditions unless otherwise noted.)⁽¹⁾

| PARAMETER | | TEST CONDITIONS | | MIN | TYP | MAX | UNIT |
|-----------------------|--------------------------------|---|--------------------------------------|----------------|-----|-----|-------------|
| SUPPLY CURRENT | | | | | | | |
| I_{CC1} | ISO7220x | Quiescent | $V_I = V_{CC}$ or 0 V, no load | 0.6 | 1 | | mA |
| | ISO7221x | | | 4.3 | 9.5 | | |
| | ISO7220A, ISO7220B | 1 Mbps | 0.5 MHz Input Clock Signal, no load | 1 | 2 | | mA |
| | ISO7221A, ISO7221B | | | 5 | 11 | | |
| | ISO7220C, ISO7220M | 25 Mbps | 12.5 MHz Input Clock Signal, no load | 2 | 4 | | mA |
| ISO7221C, ISO7221M | 6 | | | 12 | | | |
| I_{CC2} | ISO7220x | Quiescent | $V_I = V_{CC}$ or 0 V, no load | 8 | 18 | | mA |
| | ISO7221x | | | 4.3 | 9.5 | | |
| | ISO7220A, ISO7220B | 1 Mbps | 0.5 MHz Input Clock Signal, no load | 9 | 19 | | mA |
| | ISO7221A, ISO7221B | | | 5 | 11 | | |
| | ISO7220C, ISO7220M | 25 Mbps | 12.5 MHz Input Clock Signal, no load | 10 | 20 | | mA |
| ISO7221C, ISO7221M | 6 | | | 12 | | | |
| V_{OH} | High-level output voltage | $I_{OH} = -4$ mA, See Figure 13 | | $V_{CC} - 0.4$ | 3 | | V |
| | | $I_{OH} = -20$ μ A, See Figure 13 | | $V_{CC} - 0.1$ | 3.3 | | |
| V_{OL} | Low-level output voltage | $I_{OL} = 4$ mA, See Figure 13 | | 0.2 | 0.4 | | V |
| | | $I_{OL} = 20$ μ A, See Figure 13 | | 0 | 0.1 | | |
| $V_{I(HYS)}$ | Input voltage hysteresis | | | 150 | | | mV |
| I_{IH} | High-level input current | IN from 0 V or V_{CC} | | | | 10 | μ A |
| I_{IL} | Low-level input current | IN from 0 V or V_{CC} | | -10 | | | μ A |
| C_I | Input capacitance to ground | IN at V_{CC} , $V_I = 0.4 \sin(4E6\pi t)$ | | | 1 | | pF |
| CMTI | Common-mode transient immunity | $V_I = V_{CC}$ or 0 V, See Figure 15 | | 15 | 40 | | kV/ μ s |

(1) For the 3.3-V operation, V_{CC1} or V_{CC2} is specified from 3 V to 3.6 V.

6.9 Electrical Characteristics, 2.8 V

 V_{CC1} and V_{CC2} at 2.8 V (over recommended operating conditions unless otherwise noted.) 2.8-V operation is only guaranteed for ISO722xC with production screening starting in January 2012. The first two digits of the Lot Trace Code (YMSLLLLG4) written on top of each device can be used to identify year and month of production respectively.

| PARAMETER | | TEST CONDITIONS | | MIN | TYP | MAX | UNIT |
|-----------------------|--------------------------------|---|--------------------------------------|----------------|------|-----|-------------|
| SUPPLY CURRENT | | | | | | | |
| I_{CC1} | ISO7220C | Quiescent | $V_I = V_{CC}$ or 0 V, no load | 0.4 | 0.9 | | mA |
| | ISO7221C | | | 3.7 | 7.5 | | |
| | ISO7220C | 25 Mbps | 12.5 MHz Input Clock Signal, no load | 1.5 | 3.5 | | mA |
| | ISO7221C | | | 4.5 | 10 | | |
| I_{CC2} | ISO7220C | Quiescent | $V_I = V_{CC}$ or 0 V, no load | 6.8 | 15 | | mA |
| | ISO7221C | | | 3.7 | 7.5 | | |
| | ISO7220C | 25 Mbps | 12.5 MHz Input Clock Signal, no load | 9 | 17 | | mA |
| | ISO7221C | | | 4.5 | 10 | | |
| V_{OH} | High-level output voltage | $I_{OH} = -4$ mA, See Figure 13 | | $V_{CC} - 0.6$ | 2.55 | | V |
| | | $I_{OH} = -20$ μ A, See Figure 13 | | $V_{CC} - 0.1$ | 2.8 | | |
| V_{OL} | Low-level output voltage | $I_{OL} = 4$ mA, See Figure 13 | | 0.25 | 0.6 | | V |
| | | $I_{OL} = 20$ μ A, See Figure 13 | | 0 | 0.1 | | |
| $V_{I(HYS)}$ | Input voltage hysteresis | | | 150 | | | mV |
| I_{IH} | High-level input current | IN from 0 V or V_{CC} | | | | 10 | μ A |
| I_{IL} | Low-level input current | IN from 0 V or V_{CC} | | -10 | | | μ A |
| C_I | Input capacitance to ground | IN at V_{CC} , $V_I = 0.4 \sin(4E6\pi t)$ | | | 1 | | pF |
| CMTI | Common-mode transient immunity | $V_I = V_{CC}$ or 0 V, See Figure 15 | | 10 | 30 | | kV/ μ s |

6.10 Dissipation Characteristics

| PARAMETER | | TEST CONDITIONS | MIN | TYP | MAX | UNIT |
|-----------|--------------------------|--|-----|-----|-----|------|
| P_D | Device Power Dissipation | ISO722xM $V_{CC1} = V_{CC2} = 5.5\text{ V}$, $T_J = 150^\circ\text{C}$, $C_L = 15\text{ pF}$, Input a 150 Mbps 50% duty cycle square wave | | | 390 | mW |

6.11 Switching Characteristics, 5 V

V_{CC1} and V_{CC2} at 5 V (over recommended operating conditions unless otherwise noted.)

| PARAMETER | | TEST CONDITIONS | MIN | TYP | MAX | UNIT | |
|-----------------------|--|-------------------------------|---|---|-----|---------------|----|
| t_{PLH} , t_{PHL} | Propagation delay | See Figure 13 | 280 | 405 | 475 | ns | |
| PWD | Pulse-width distortion $ t_{PHL} - t_{PLH} ^{(1)}$ | | 1 | 14 | ns | | |
| t_{PLH} , t_{PHL} | Propagation delay | | 42 | 55 | 70 | ns | |
| PWD | Pulse-width distortion $ t_{PHL} - t_{PLH} ^{(1)}$ | | 1 | 3 | ns | | |
| t_{PLH} , t_{PHL} | Propagation delay | | 22 | 32 | 42 | ns | |
| PWD | Pulse-width distortion $ t_{PHL} - t_{PLH} ^{(1)}$ | | 1 | 2 | ns | | |
| t_{PLH} , t_{PHL} | Propagation delay | | 6 | 10 | 16 | ns | |
| PWD | Pulse-width distortion $ t_{PHL} - t_{PLH} ^{(1)}$ | | 0.5 | 1 | ns | | |
| $t_{sk(pp)}$ | Part-to-part skew ⁽²⁾ | | ISO722xA | | | 180 | ns |
| | | | ISO722xB | | | 17 | |
| | | | ISO722xC | | | 10 | |
| | | | ISO722xM | | | 3 | |
| $t_{sk(o)}$ | Channel-to-channel output skew ⁽³⁾ | | ISO722xA | | 3 | 15 | ns |
| | | | ISO722xB | | 0.6 | 3 | |
| | | ISO722xC, ISO722xM | | 0.2 | 1 | | |
| t_r | Output signal rise time | See Figure 13 | | 1 | | ns | |
| t_f | Output signal fall time | | | 1 | | ns | |
| t_{fs} | Failsafe output delay time from input power loss | See Figure 14 | | 3 | | μs | |
| $t_{jit(pp)}$ | Peak-to-peak eye-pattern jitter | ISO722xM | 150 Mbps PRBS NRZ data, 5-bit max same polarity input, both channels, See Figure 16 , Figure 12 | | 1 | ns | |
| | | | | 150 Mbps unrestricted bit run length data input, both channels, See Figure 16 | | | 2 |

- (1) Also referred to as pulse skew.
- (2) $t_{sk(pp)}$ is the magnitude of the difference in propagation delay times between any specified pins of two devices when both devices operate with the same supply voltages, at the same temperature, and have identical packages and test circuits.
- (3) $t_{sk(o)}$ is the skew between specified outputs of a single device with all driving inputs connected together and the outputs switching in the same direction while driving identical specified loads.

6.12 Switching Characteristics, 5 V, 3.3 V

V_{CC1} at 5 V \pm 10%, V_{CC2} at 3.3 V \pm 10% (over recommended operating conditions unless otherwise noted.)

| PARAMETER | | TEST CONDITIONS | MIN | TYP | MAX | UNIT | |
|-----------------------|--|-----------------------|--|-----|-----|---------|----|
| t_{PLH} , t_{PHL} | Propagation delay | | See Figure 13 | 285 | 410 | 480 | ns |
| PWD | Pulse-width distortion $ t_{PHL} - t_{PLH} ^{(1)}$ | 1 | | 14 | ns | | |
| t_{PLH} , t_{PHL} | Propagation delay | 45 | | 58 | 75 | ns | |
| PWD | Pulse-width distortion $ t_{PHL} - t_{PLH} ^{(1)}$ | 1 | | 3 | ns | | |
| t_{PLH} , t_{PHL} | Propagation delay | 25 | | 36 | 48 | ns | |
| PWD | Pulse-width distortion $ t_{PHL} - t_{PLH} ^{(1)}$ | 1 | | 2 | ns | | |
| t_{PLH} , t_{PHL} | Propagation delay | 7 | | 12 | 20 | ns | |
| PWD | Pulse-width distortion $ t_{PHL} - t_{PLH} ^{(1)}$ | 0.5 | | 1 | ns | | |
| $t_{sk(pp)}$ | Part-to-part skew ⁽²⁾ | ISO722xA | | | | 180 | ns |
| | | ISO722xB | | | | 17 | |
| | | ISO722xC | | | | 10 | |
| | | ISO722xM | | | | 5 | |
| $t_{sk(o)}$ | Channel-to-channel output skew ⁽³⁾ | ISO722xA | | | 3 | ns | |
| | | ISO722xB | | | 0.6 | | |
| | | ISO722xC, ISO722xM | | | 0.2 | | |
| t_r | Output signal rise time | See Figure 13 | | | 2 | ns | |
| t_f | Output signal fall time | | | | 2 | ns | |
| t_{fs} | Failsafe output delay time from input power loss | See Figure 14 | | | 3 | μ s | |
| $t_{jit(pp)}$ | Peak-to-peak eye-pattern jitter | ISO722xM | 150 Mbps PRBS NRZ data, 5-bit max same polarity input, both channels, See Figure 16, Figure 12 | | | 1 | ns |
| | | | 150 Mbps unrestricted bit run length data input, both channels, See Figure 16 | | | 2 | |

- (1) Also referred to as pulse skew.
- (2) $t_{sk(pp)}$ is the magnitude of the difference in propagation delay times between any specified pins of two devices when both devices operate with the same supply voltages, at the same temperature, and have identical packages and test circuits.
- (3) $t_{sk(o)}$ is the skew between specified outputs of a single device with all driving inputs connected together and the outputs switching in the same direction while driving identical specified loads.

6.13 Switching Characteristics, 3.3 V, 5 V

V_{CC1} at 3.3 V \pm 10%, V_{CC2} at 5 V \pm 10% (over recommended operating conditions unless otherwise noted.)

| PARAMETER | | TEST CONDITIONS | MIN | TYP | MAX | UNIT | |
|-----------------------|--|-----------------|---------------|-----|-----|------|----|
| t_{PLH} , t_{PHL} | Propagation delay | | See Figure 13 | 285 | 395 | 480 | ns |
| PWD | Pulse-width distortion $ t_{PHL} - t_{PLH} ^{(1)}$ | 1 | | 18 | ns | | |
| t_{PLH} , t_{PHL} | Propagation delay | 45 | | 58 | 75 | ns | |
| PWD | Pulse-width distortion $ t_{PHL} - t_{PLH} ^{(1)}$ | 1 | | 4 | ns | | |
| t_{PLH} , t_{PHL} | Propagation delay | 25 | | 36 | 48 | ns | |
| PWD | Pulse-width distortion $ t_{PHL} - t_{PLH} ^{(1)}$ | 1 | | 3 | ns | | |
| t_{PLH} , t_{PHL} | Propagation delay | 7 | | 12 | 21 | ns | |
| PWD | Pulse-width distortion $ t_{PHL} - t_{PLH} ^{(1)}$ | 0.5 | | 1 | ns | | |
| $t_{sk(pp)}$ | Part-to-part skew ⁽²⁾ | ISO722xA | | | | 190 | ns |
| | | ISO722xB | | | | 17 | |
| | | ISO722xC | | | | 10 | |
| | | ISO722xM | | | | 5 | |

- (1) Also referred to as pulse skew.
- (2) $t_{sk(pp)}$ is the magnitude of the difference in propagation delay times between any specified pins of two devices when both devices operate with the same supply voltages, at the same temperature, and have identical packages and test circuits.

Switching Characteristics, 3.3 V, 5 V (continued)

V_{CC1} at 3.3 V \pm 10%, V_{CC2} at 5 V \pm 10% (over recommended operating conditions unless otherwise noted.)

| PARAMETER | | TEST CONDITIONS | MIN | TYP | MAX | UNIT |
|---------------|--|-------------------------------|---|-----|-----|---------|
| $t_{sk(o)}$ | Channel-to-channel output skew ⁽³⁾ | ISO722xA | | 3 | 15 | ns |
| | | ISO722xB | | 0.6 | 3 | |
| | | ISO722xC, ISO722xM | | 0.2 | 1 | |
| t_r | Output signal rise time | See Figure 13 | | 1 | | ns |
| t_f | Output signal fall time | | | 1 | | ns |
| t_{fs} | Failsafe output delay time from input power loss | See Figure 14 | | 3 | | μ s |
| $t_{jit(pp)}$ | Peak-to-peak eye-pattern jitter | ISO722xM | 150 Mbps PRBS NRZ data, 5-bit max same polarity input, both channels, See Figure 16 , Figure 12 | | 1 | ns |
| | | | 150 Mbps unrestricted bit run length data input, both channels, See Figure 16 | | 2 | |

(3) $t_{sk(o)}$ is the skew between specified outputs of a single device with all driving inputs connected together and the outputs switching in the same direction while driving identical specified loads.

6.14 Switching Characteristics, 3.3 V

V_{CC1} and V_{CC2} at 3.3 V \pm 10% (over recommended operating conditions unless otherwise noted.)

| PARAMETER | | TEST CONDITIONS | MIN | TYP | MAX | UNIT |
|-----------------------|--|-------------------------------|---|-----|-----|---------|
| t_{PLH} , t_{PHL} | Propagation delay | See Figure 13 | 290 | 400 | 485 | ns |
| PWD | Pulse-width distortion $ t_{PHL} - t_{PLH} ^{(1)}$ | | 1 | 18 | | ns |
| t_{PLH} , t_{PHL} | Propagation delay | | 46 | 62 | 78 | ns |
| PWD | Pulse-width distortion $ t_{PHL} - t_{PLH} ^{(1)}$ | | 1 | 4 | | ns |
| t_{PLH} , t_{PHL} | Propagation delay | | 26 | 40 | 52 | ns |
| PWD | Pulse-width distortion $ t_{PHL} - t_{PLH} ^{(1)}$ | | 1 | 3 | | ns |
| t_{PLH} , t_{PHL} | Propagation delay | | 8 | 16 | 25 | ns |
| PWD | Pulse-width distortion $ t_{PHL} - t_{PLH} ^{(1)}$ | | 0.5 | 1 | | ns |
| $t_{sk(pp)}$ | Part-to-part skew ⁽²⁾ | ISO722xA | | | 190 | ns |
| | | ISO722xB | | | 17 | |
| | | ISO722xC | | | 10 | |
| | | ISO722xM | | | 5 | |
| $t_{sk(o)}$ | Channel-to-channel output skew ⁽³⁾ | ISO722xA | | 3 | 15 | ns |
| | | ISO722xB | | 0.6 | 3 | |
| | | ISO722xC, ISO722xM | | 0.2 | 1 | |
| t_r | Output signal rise time | See Figure 13 | | 2 | | ns |
| t_f | Output signal fall time | | | 2 | | ns |
| t_{fs} | Failsafe output delay time from input power loss | See Figure 14 | | 3 | | μ s |
| $t_{jit(pp)}$ | Peak-to-peak eye-pattern jitter | ISO722xM | 150 Mbps PRBS NRZ data, 5-bit max same polarity input, both channels, See Figure 16 , Figure 12 | | 1 | ns |
| | | | 150 Mbps unrestricted bit run length data input, both channels, See Figure 16 | | 2 | |

(1) Also referred to as pulse skew.

(2) $t_{sk(pp)}$ is the magnitude of the difference in propagation delay times between any specified pins of two devices when both devices operate with the same supply voltages, at the same temperature, and have identical packages and test circuits.

(3) $t_{sk(o)}$ is the skew between specified outputs of a single device with all driving inputs connected together and the outputs switching in the same direction while driving identical specified loads.

6.15 Switching Characteristics, 2.8 V

V_{CC1} and V_{CC2} at 2.8 V (over recommended operating conditions unless otherwise noted.)

| PARAMETER | | | TEST CONDITIONS | | | MIN | TYP | MAX | UNIT |
|-----------------------|---|----------|-------------------------------|--|--|-----|-----|---------|------|
| t_{PLH} , t_{PHL} | Propagation delay | ISO722xC | See Figure 13 | | | 26 | 45 | 65 | ns |
| PWD | Pulse-width distortion $ t_{PHL} - t_{PLH} $ ⁽¹⁾ | | | | | 1.5 | 5 | ns | |
| $t_{sk(pp)}$ | Part-to-part skew ⁽²⁾ | ISO722xC | | | | | 12 | ns | |
| $t_{sk(o)}$ | Channel-to-channel output skew ⁽³⁾ | ISO722xC | | | | 0.2 | 5 | ns | |
| t_r | Output signal rise time | | See Figure 13 | | | | 2 | ns | |
| t_f | Output signal fall time | | | | | | 2 | ns | |
| t_{fs} | Failsafe output delay time from input power loss | | See Figure 14 | | | | 4.6 | μ s | |

- (1) Also referred to as pulse skew.
- (2) $t_{sk(pp)}$ is the magnitude of the difference in propagation delay times between any specified pins of two devices when both devices operate with the same supply voltages, at the same temperature, and have identical packages and test circuits.
- (3) $t_{sk(o)}$ is the skew between specified outputs of a single device with all driving inputs connected together and the outputs switching in the same direction while driving identical specified loads.

6.16 Typical Characteristics

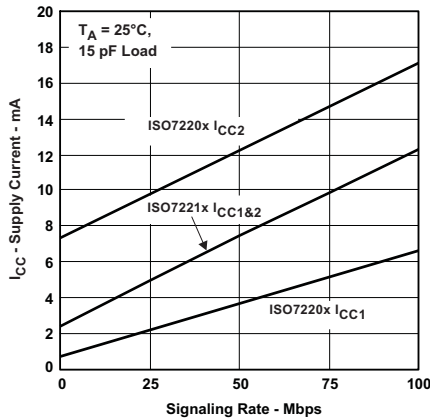


Figure 1. 3.3-V RMS Supply Current vs Signaling Rate (Mbps)

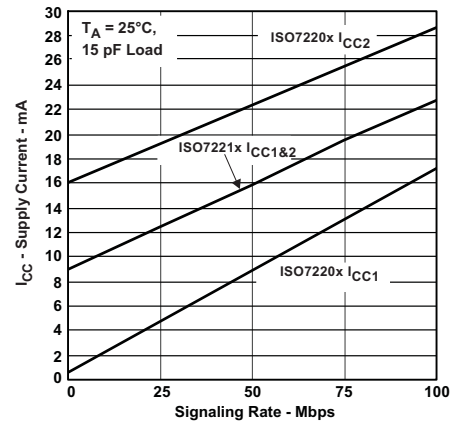


Figure 2. 5-V RMS Supply Current vs Signaling Rate (Mbps)

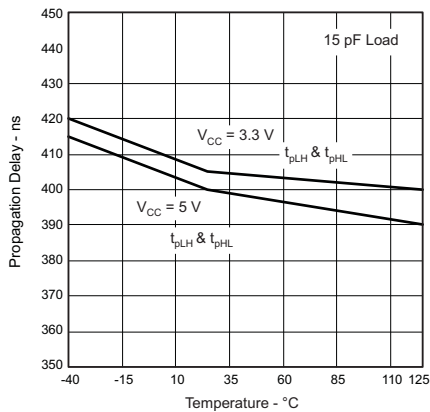


Figure 3. Propagation Delay vs Free-Air Temperature, ISO722xA

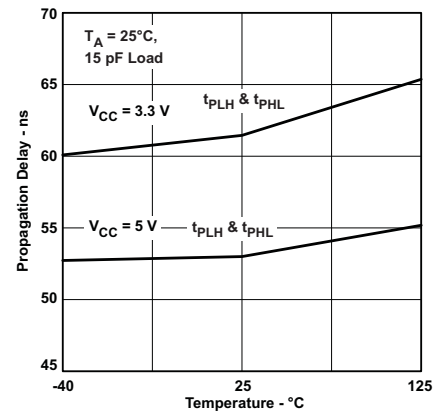


Figure 4. Propagation Delay vs Free-Air Temperature, ISO722xB

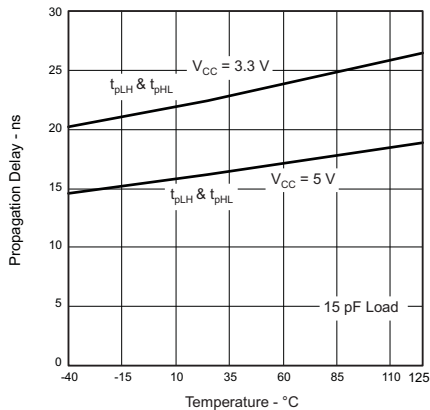


Figure 5. Propagation Delay vs Free-Air Temperature, ISO722xC

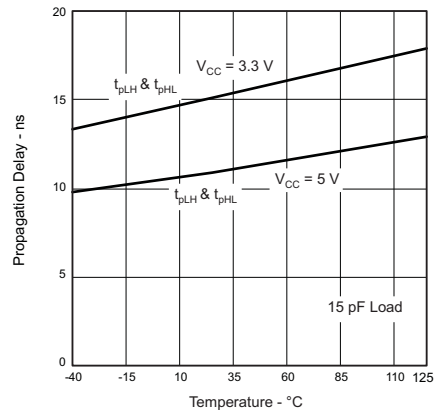


Figure 6. Propagation Delay vs Free-Air Temperature, ISO722xM

Typical Characteristics (continued)

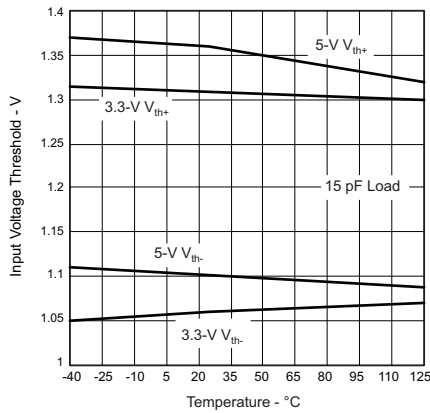


Figure 7. ISO722xA, ISO722xB and ISO722xC Input Voltage Low-to-High Switching Threshold vs Free-Air Temperature

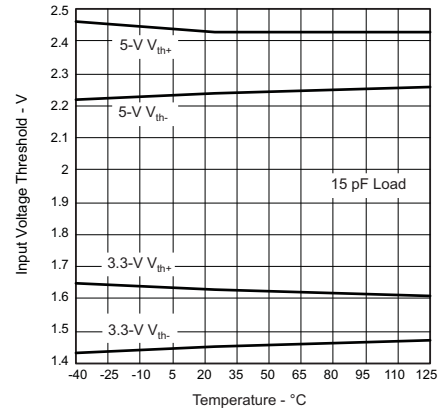


Figure 8. ISO722xM Input Voltage High-to-Low vs Free-Air Temperature

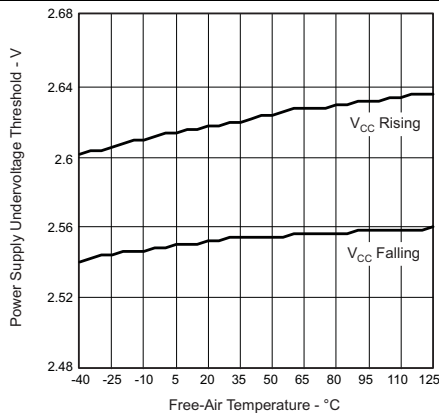


Figure 9. V_{CC} Undervoltage Threshold vs Free-Air Temperature

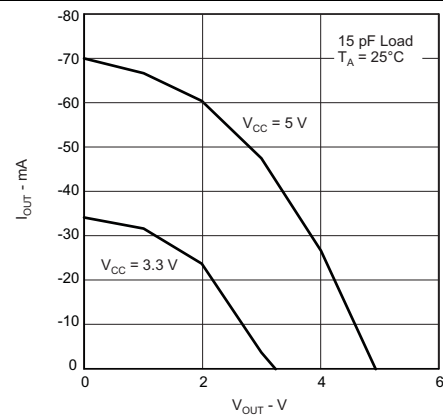


Figure 10. High-Level Output Current vs High-Level Output Voltage

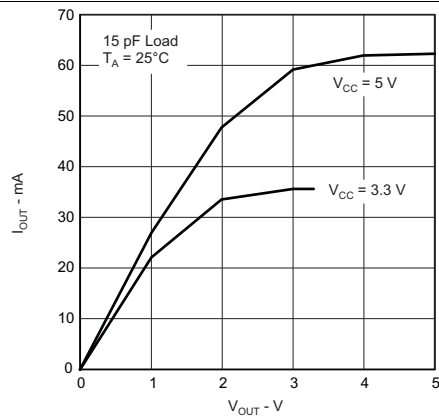


Figure 11. Low-Level Output Current vs Low-Level Output Voltage

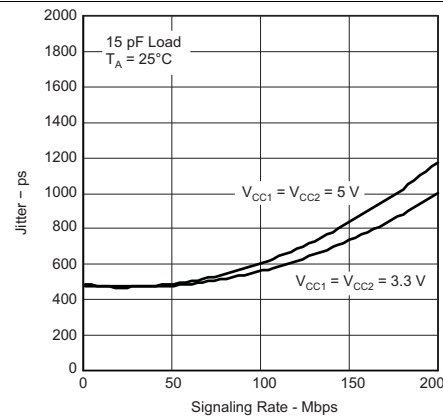
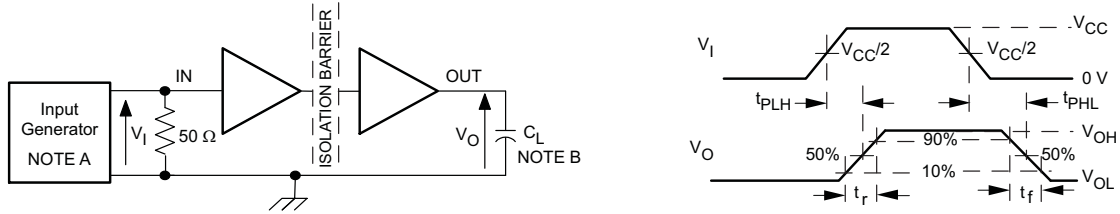


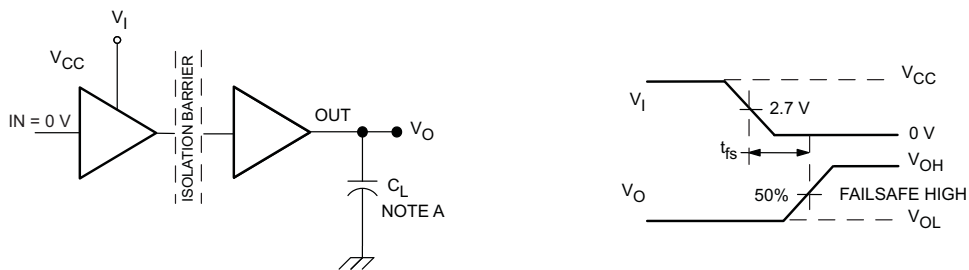
Figure 12. ISO722xM Jitter vs Signaling Rate

7 Parameter Measurement Information



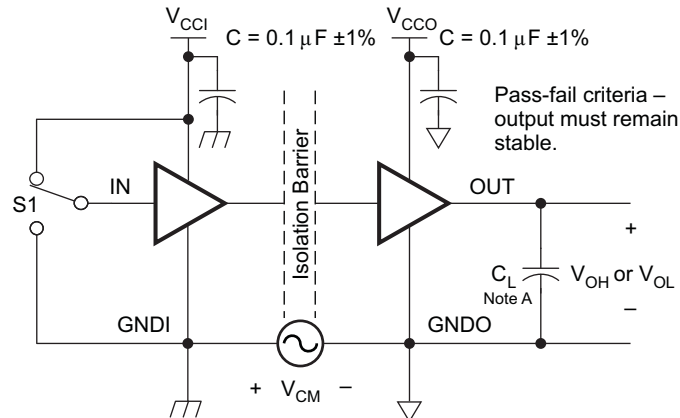
- The input pulse is supplied by a generator having the following characteristics: PRR \leq 50 kHz, 50% duty cycle, $t_r \leq$ 3 ns, $t_f \leq$ 3 ns, $Z_O = 50 \Omega$.
- $C_L = 15$ pF and includes instrumentation and fixture capacitance within $\pm 20\%$.

Figure 13. Switching Characteristic Test Circuit and Voltage Waveforms



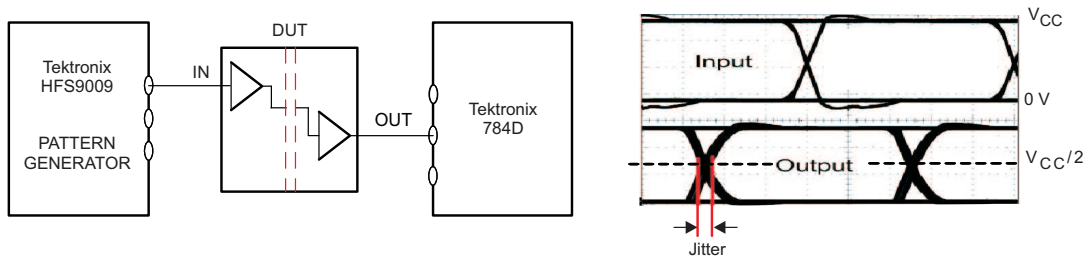
- $C_L = 15$ pF and includes instrumentation and fixture capacitance within $\pm 20\%$.

Figure 14. Failsafe Delay Time Test Circuit and Voltage Waveforms



- $C_L = 15$ pF and includes instrumentation and fixture capacitance within $\pm 20\%$.

Figure 15. Common-Mode Transient Immunity Test Circuit



NOTE: PRBS bit pattern run length is $2^{16} - 1$. Transition time is 800 ps.

Figure 16. Peak-to-Peak Eye-Pattern Jitter Test Circuit and Voltage Waveform

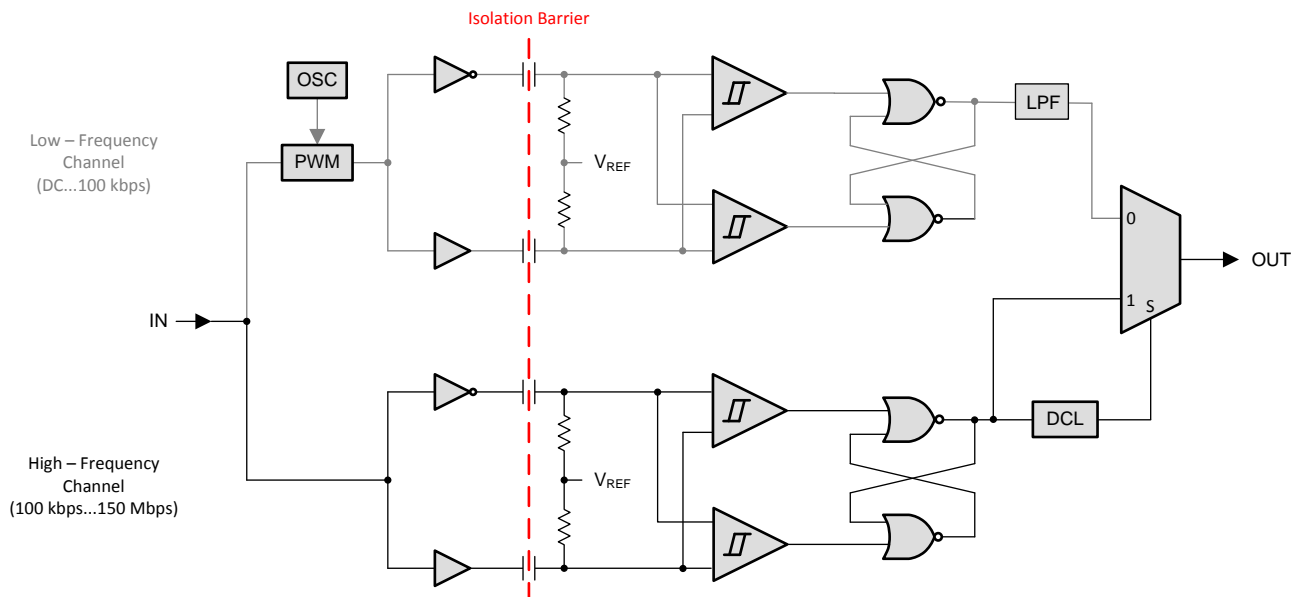
8 Detailed Description

8.1 Overview

The isolator in the *Functional Block Diagram* is based on a capacitive isolation barrier technique. The I/O channel of the ISO7220x and ISO7221x devices consists of two internal data channels, a high-frequency channel (HF) with a bandwidth from 100 kbps up to 150 Mbps, and a low-frequency channel (LF) covering the range from 100 kbps down to DC. In principle, a single-ended input signal entering the HF-channel is split into a differential signal via the inverter gate at the input. The following capacitor-resistor networks differentiate the signal into transients, which then are converted into differential pulses by two comparators. The comparator outputs drive a NOR-gate flip-flop whose output feeds an output multiplexer. A decision logic (DCL) at the driving output of the flip-flop measures the durations between signal transients. If the duration between two consecutive transients exceeds a certain time limit, (as in the case of a low-frequency signal), the DCL forces the output-multiplexer to switch from the high-frequency to the low-frequency channel.

Because low-frequency input signals require the internal capacitors to assume prohibitively large values, these signals are pulse-width modulated (PWM) with the carrier frequency of an internal oscillator, thus creating a sufficiently high frequency signal, capable of passing the capacitive barrier. As the input is modulated, a low-pass filter (LPF) is needed to remove the high-frequency carrier from the actual data before passing it on to the output multiplexer.

8.2 Functional Block Diagram



8.3 Feature Description

| PRODUCT | MAX SIGNALING RATE | INPUT THRESHOLD | CHANNEL DIRECTION |
|----------|--------------------|------------------------------------|---------------------|
| ISO7220A | 1 Mbps | ≈ 1.5 V (TTL) (CMOS compatible) | Same direction |
| ISO7220B | 5 Mbps | ≈ 1.5 V (TTL) (CMOS compatible) | |
| ISO7220C | 25 Mbps | ≈ 1.5 V (TTL) (CMOS compatible) | |
| ISO7220M | 150 Mbps | $V_{CC}/2$ (CMOS) | |
| ISO7221A | 1 Mbps | ≈ 1.5 V (TTL) (CMOS compatible) | Opposite directions |
| ISO7221B | 5 Mbps | ≈ 1.5 V (TTL) (CMOS compatible) | |
| ISO7221C | 25 Mbps | ≈ 1.5 V (TTL) (CMOS compatible) | |
| ISO7221M | 150 Mbps | $V_{CC}/2$ (CMOS) | |

8.3.1 DIN V VDE V 0884-10 (VDE V 0884-10):2006-12 Insulation Characteristics⁽¹⁾

| PARAMETER | TEST CONDITIONS | SPECIFICATION | UNIT |
|---|---|---------------|----------|
| V_{IORM} Maximum working insulation voltage | | 560 | V_{PK} |
| V_{PR} Input to output test voltage | After Input/Output safety test subgroup 2/3, $V_{PR} = V_{IORM} \times 1.2$, $t = 10$ s, Partial discharge < 5 pC | 672 | |
| | Method a, After environment tests subgroup 1, $V_{PR} = V_{IORM} \times 1.6$, $t = 10$ s, Partial discharge < 5 pC | 896 | |
| | Method b1, $V_{PR} = V_{IORM} \times 1.875$, 100% Production test with $t = 1$ s, Partial discharge < 5 pC | 1050 | |
| V_{IOTM} Transient overvoltage | $V_{TEST} = V_{IOTM}$ $t = 60$ s (qualification) $t = 1$ s (100% production) | 4000 | |
| R_S Insulation resistance | $V_{IO} = 500$ V at $T_S = 150^\circ\text{C}$ | $>10^9$ | Ω |
| Pollution degree | | 2 | |

(1) Climatic Classification 40/125/21

NOTE

Creepage and clearance requirements should be applied according to the specific equipment isolation standards of an application. Take care to maintain the creepage and clearance distance of a board design to ensure that the mounting pads of the isolator on the printed circuit board do not reduce this distance.

Creepage and clearance on a printed circuit board become equal according to the measurement techniques shown in the *Isolation Glossary* in the [Related Documentation](#) section. Techniques such as inserting grooves, ribs, or both on a printed circuit board are used to help increase these specifications.

8.3.2 IEC Package Characteristics

| PARAMETER | TEST CONDITIONS | MIN | TYP | MAX | UNIT |
|--|---|--------|-----|-----|------|
| L(I01) Minimum air gap (Clearance) ⁽¹⁾ | Shortest pin-to-pin distance through air | SOIC-8 | 4 | 4 | mm |
| L(I02) Minimum external tracking (Creepage) ⁽¹⁾ | Shortest pin-to-pin distance across the package surface | | | | mm |

(1) Per JEDEC package dimensions.

| PARAMETER | | TEST CONDITIONS | MIN | TYP | MAX | UNIT |
|-----------------|--|---|------------------|-----|-----|------|
| CTI | Tracking resistance (Comparative Tracking Index) | DIN EN 60112 (VDE 0303-11); IEC 60112 | 400 | | | V |
| DTI | Distance through the insulation | Minimum Internal Gap (Internal Clearance) | 0.008 | | | mm |
| R _{IO} | Isolation resistance | Input to output, V _{IO} = 500 V, all pins on each side of the barrier tied together creating a two-pin device, T _A = 25°C | 10 ¹² | | | Ω |
| | | Input to output, V _{IO} = 500 V, 100°C ≤ T _A ≤ max | 10 ¹¹ | | | Ω |
| C _{IO} | Barrier capacitance Input to output | V _I = 0.4 sin (4E6πt) | | 1 | | pF |
| C _I | Input capacitance to ground | V _I = 0.4 sin (4E6πt) | | 1 | | pF |

Table 1. IEC 60664-1 Ratings Table

| PARAMETER | TEST CONDITIONS | SPECIFICATION |
|-----------------------------|---|---------------|
| Basic isolation group | Material group | II |
| Installation classification | Rated mains voltage ≤150 V _{RMS} | I-IV |
| | Rated mains voltage ≤300 V _{RMS} | I-III |
| | Rated mains voltage ≤400 V _{RMS} | I-II |

8.3.3 Regulatory Information

| VDE | CSA | UL |
|--|---|---|
| Certified according to DIN V VDE V 0884-10 (VDE V 0884-10):2006-12 and DIN EN 61010-1 (VDE 0411-1) | Approved according to CSA Component Acceptance Notice 5A and IEC 60950-1 | Recognized under UL 1577 Component Recognition Program |
| Basic Insulation Maximum Transient Overvoltage, 4000 V _{PK} Maximum Surge Voltage, 4000 V _{PK} Maximum Working Voltage, 560 V _{PK} | Evaluated to CSA 60950-1-07 and IEC 60950-1 (2nd Ed.) with 2000 V _{RMS} Isolation rating for products with working voltages ≤ 125 V _{RMS} for reinforced insulation and ≤ 390 V _{RMS} for basic insulation | Single Protection, 2500 V _{RMS} ⁽¹⁾ |
| Certificate Number: 40016131 | Master Contract Number: 220991 | File Number: E181974 |

(1) Production tested ≥3000 V_{RMS} for 1 second in accordance with UL 1577.

8.3.4 Safety Limiting Values

Safety limiting intends to prevent potential damage to the isolation barrier upon failure of input or output circuitry. A failure of the IO can allow low resistance to ground or the supply and, without current limiting, dissipate sufficient power to overheat the die and damage the isolation barrier potentially leading to secondary system failures.

| PARAMETER | TEST CONDITIONS | | MIN | TYP | MAX | UNIT |
|----------------|-----------------|--|-----|-----|-----|------|
| I _S | SOIC-8 | θ _{JA} = 212°C/W, V _I = 5.5 V, T _J = 170°C, T _A = 25°C | | | 124 | mA |
| | | θ _{JA} = 212°C/W, V _I = 3.6 V, T _J = 170°C, T _A = 25°C | | | 190 | |
| T _S | SOIC-8 | | | | 150 | °C |

The safety-limiting constraint is the absolute maximum junction temperature specified in [Absolute Maximum Ratings](#). The power dissipation and junction-to-air thermal impedance of the ISO7220x and ISO7221x devices installed in the application hardware determines the junction temperature. The assumed junction-to-air thermal resistance in [Thermal Information](#) is that of a device installed in the JESD51-3, Low Effective Thermal Conductivity Test Board for Leaded Surface Mount Packages and is conservative. The power is the recommended maximum input voltage times the current. The junction temperature is then the ambient temperature plus the power times the junction-to-air thermal resistance.

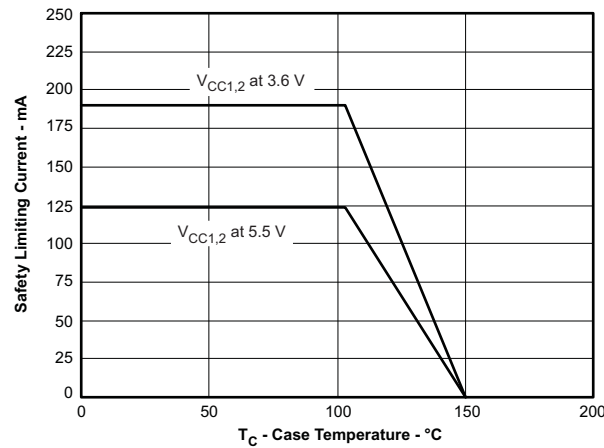


Figure 17. θ_{JC} Thermal Derating Curve per VDE

8.4 Device Functional Modes

The ISO7220x and ISO7221x family of devices functional modes are shown in [Table 2](#).

Table 2. ISO7220x or ISO7221x Function Table⁽¹⁾

| INPUT SIDE V_{CC} | OUTPUT SIDE V_{CC} | INPUT (IN) | OUTPUT (OUT) |
|---------------------|----------------------|------------|--------------|
| PU | PU | H | H |
| | | L | L |
| | | Open | H |
| PD | PU | X | H |
| X | PD | X | Undetermined |

(1) PU = Powered Up ($V_{CC} \geq 3.0$ V), PD = Powered Down ($V_{CC} \leq 2.5$ V), X = Irrelevant, H = High Level, L = Low Level

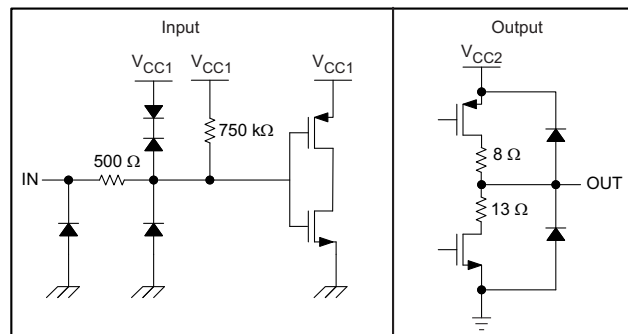


Figure 18. Device I/O Schematics

Typical Application (continued)

9.2.2 Detailed Design Procedure

Figure 20 and Figure 21 show the hookup of a typical ISO7220x and ISO7221x circuit. The only external components are two bypass capacitors.

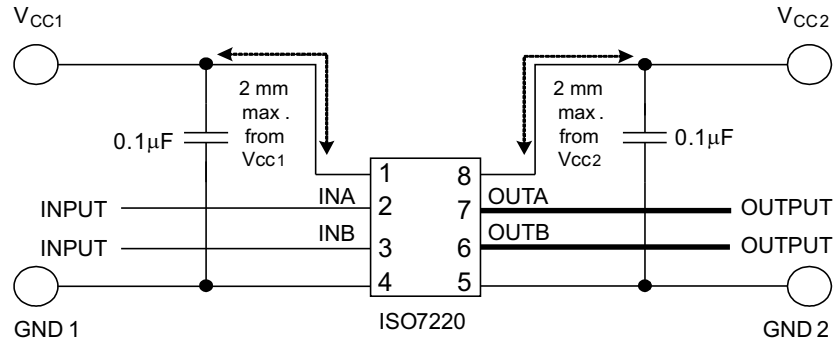


Figure 20. Typical ISO7220x Circuit Hook-Up

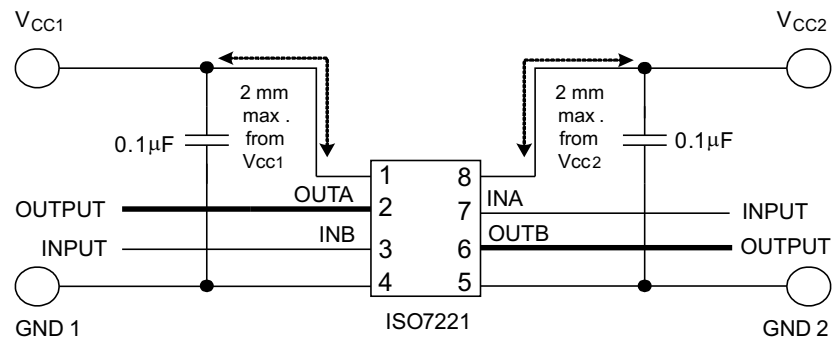


Figure 21. Typical ISO7221x Circuit Hook-Up

9.2.3 Application Curve

At maximum working voltage, the isolation barrier of the ISO7220x and ISO7221x devices has more than 28 years of life.

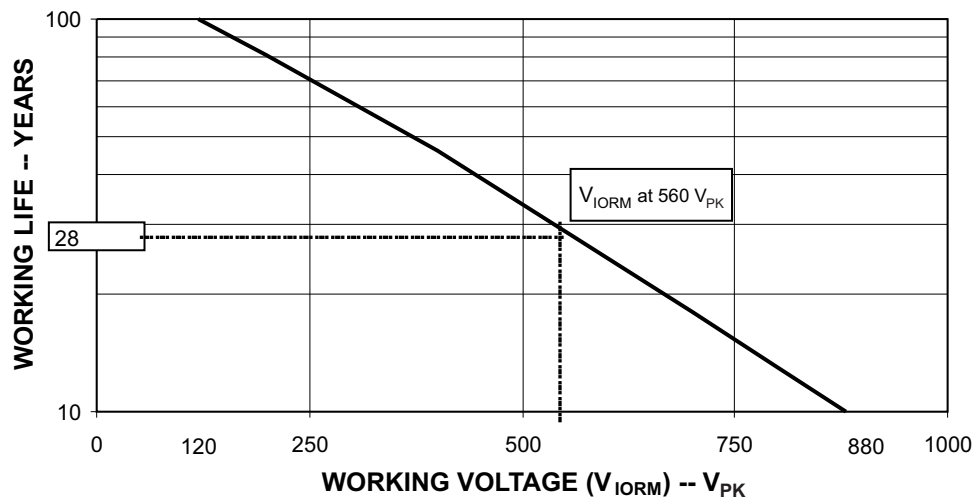


Figure 22. Time-Dependent Dielectric Breakdown Test Results

10 Power Supply Recommendations

To ensure reliable operation at all data rates and supply voltages, a 0.1- μ F bypass capacitor is recommended at input and output supply pins (V_{CC1} and V_{CC2}). The capacitors should be placed as close to the supply pins as possible. If only a single primary-side power supply is available in an application, isolated power can be generated for the secondary-side with the help of a transformer driver such as Texas Instruments SN6501 data sheet. For such applications, detailed power supply design and transformer selection recommendations are available in the data sheet, *SN6501 Transformer Driver for Isolated Power Supplies* (SLLSEA0).

11 Layout

11.1 Layout Guidelines

A minimum of four layers are required to accomplish a low EMI PCB design (see [Figure 23](#)). Layer stacking should be in the following order (top-to-bottom): high-speed signal layer, ground plane, power plane and low-frequency signal layer.

- Route the high-speed traces on the top layer to avoid the use of vias (and the introduction of the inductances) and allow for clean interconnects between the isolator and the transmitter and receiver circuits of the data link.
- Place a solid ground plane next to the high-speed signal layer to establish controlled impedance for transmission line interconnects and provide an excellent low-inductance path for the return current flow.
- Place the power plane next to the ground plane to create additional high-frequency bypass capacitance of approximately 100 pF/in².
- Route the slower speed control signals on the bottom layer to allow for greater flexibility as these signal links usually have margin to tolerate discontinuities such as vias.

If an additional supply voltage plane or signal layer is needed, add a second power or ground plane system to the stack to keep it symmetrical. Adding a second plane system to the stack makes the stack mechanically stable and prevents it from warping. The power and ground plane of each power system can be placed closer together, thus increasing the high-frequency bypass capacitance significantly. For detailed layout recommendations, see Application Note *Digital Isolator Design Guide* (SLLA284).

11.1.1 PCB Material

For digital circuit boards operating below 150 Mbps, (or rise and fall times higher than 1 ns), and trace lengths of up to 10 inches, use standard FR-4 epoxy-glass as PCB material. FR-4 (Flame Retardant 4) meets the requirements of Underwriters Laboratories UL94-V0, and is preferred over cheaper alternatives because of its lower dielectric losses at high frequencies, less moisture absorption, greater strength and stiffness, and self-extinguishing flammability characteristics.

11.2 Layout Example

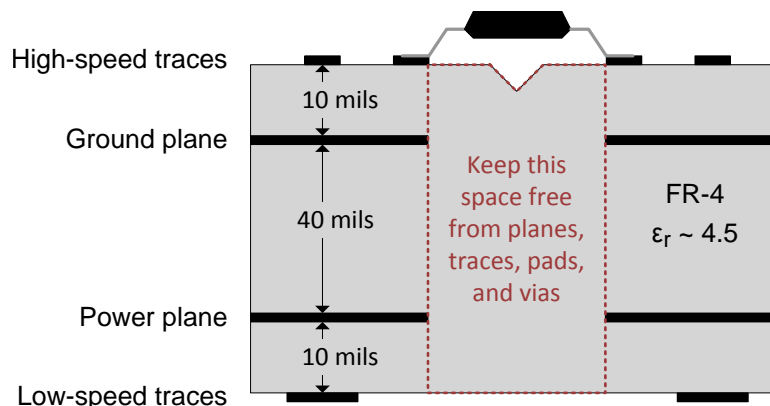


Figure 23. Recommended Layer Stack

12 Device and Documentation Support

12.1 Documentation Support

12.1.1 Related Documentation

For related documentation, see the following:

- Transformer Driver for Isolated Power Supplies, [SLLSEA0](#)
- Digital Isolator Design Guide, [SLLA284](#)
- Isolation Glossary, [SLLA353](#)

12.2 Related Links

The table below lists quick access links. Categories include technical documents, support and community resources, tools and software, and quick access to sample or buy.

Table 3. Related Links

| PARTS | PRODUCT FOLDER | SAMPLE & BUY | TECHNICAL DOCUMENTS | TOOLS & SOFTWARE | SUPPORT & COMMUNITY |
|----------|----------------------------|----------------------------|----------------------------|----------------------------|----------------------------|
| ISO7220A | Click here | Click here | Click here | Click here | Click here |
| ISO7220B | Click here | Click here | Click here | Click here | Click here |
| ISO7220C | Click here | Click here | Click here | Click here | Click here |
| ISO7220M | Click here | Click here | Click here | Click here | Click here |
| ISO7221A | Click here | Click here | Click here | Click here | Click here |
| ISO7221B | Click here | Click here | Click here | Click here | Click here |
| ISO7221C | Click here | Click here | Click here | Click here | Click here |
| ISO7221M | Click here | Click here | Click here | Click here | Click here |

12.3 Community Resources

The following links connect to TI community resources. Linked contents are provided "AS IS" by the respective contributors. They do not constitute TI specifications and do not necessarily reflect TI's views; see TI's [Terms of Use](#).

TI E2E™ Online Community *TI's Engineer-to-Engineer (E2E) Community*. Created to foster collaboration among engineers. At [e2e.ti.com](#), you can ask questions, share knowledge, explore ideas and help solve problems with fellow engineers.

Design Support *TI's Design Support* Quickly find helpful E2E forums along with design support tools and contact information for technical support.

12.4 Trademarks

E2E is a trademark of Texas Instruments.
 DeviceNet is a trademark of Open DeviceNet Vendors Association.
 Profibus is a trademark of Profibus.
 All other trademarks are the property of their respective owners.

12.5 Electrostatic Discharge Caution



These devices have limited built-in ESD protection. The leads should be shorted together or the device placed in conductive foam during storage or handling to prevent electrostatic damage to the MOS gates.

12.6 Glossary

[SLYZ022](#) — *TI Glossary*.

This glossary lists and explains terms, acronyms, and definitions.

13 Mechanical, Packaging, and Orderable Information

The following pages include mechanical, packaging, and orderable information. This information is the most current data available for the designated devices. This data is subject to change without notice and revision of this document. For browser-based versions of this data sheet, refer to the left-hand navigation.

PACKAGING INFORMATION

| Orderable Device | Status (1) | Package Type | Package Drawing | Pins | Package Qty | Eco Plan (2) | Lead/Ball Finish (6) | MSL Peak Temp (3) | Op Temp (°C) | Device Marking (4/5) | Samples |
|------------------|---------------|--------------|-----------------|------|-------------|-------------------------|-------------------------|----------------------|--------------|-------------------------|-------------------------|
| ISO7220AD | ACTIVE | SOIC | D | 8 | 75 | Green (RoHS & no Sb/Br) | CU NIPDAU | Level-1-260C-UNLIM | -40 to 125 | I7220A | Samples |
| ISO7220ADG4 | ACTIVE | SOIC | D | 8 | 75 | Green (RoHS & no Sb/Br) | CU NIPDAU | Level-1-260C-UNLIM | -40 to 125 | I7220A | Samples |
| ISO7220ADR | ACTIVE | SOIC | D | 8 | 2500 | Green (RoHS & no Sb/Br) | CU NIPDAU | Level-1-260C-UNLIM | -40 to 125 | I7220A | Samples |
| ISO7220ADRG4 | ACTIVE | SOIC | D | 8 | 2500 | Green (RoHS & no Sb/Br) | CU NIPDAU | Level-1-260C-UNLIM | -40 to 125 | I7220A | Samples |
| ISO7220BD | ACTIVE | SOIC | D | 8 | 75 | Green (RoHS & no Sb/Br) | CU NIPDAU | Level-1-260C-UNLIM | -40 to 125 | I7220B | Samples |
| ISO7220BDG4 | ACTIVE | SOIC | D | 8 | 75 | Green (RoHS & no Sb/Br) | CU NIPDAU | Level-1-260C-UNLIM | -40 to 125 | I7220B | Samples |
| ISO7220BDR | ACTIVE | SOIC | D | 8 | 2500 | Green (RoHS & no Sb/Br) | CU NIPDAU | Level-1-260C-UNLIM | -40 to 125 | I7220B | Samples |
| ISO7220BDRG4 | ACTIVE | SOIC | D | 8 | 2500 | Green (RoHS & no Sb/Br) | CU NIPDAU | Level-1-260C-UNLIM | -40 to 125 | I7220B | Samples |
| ISO7220CD | ACTIVE | SOIC | D | 8 | 75 | Green (RoHS & no Sb/Br) | CU NIPDAU | Level-1-260C-UNLIM | -40 to 125 | I7220C | Samples |
| ISO7220CDG4 | ACTIVE | SOIC | D | 8 | 75 | Green (RoHS & no Sb/Br) | CU NIPDAU | Level-1-260C-UNLIM | -40 to 125 | I7220C | Samples |
| ISO7220CDR | ACTIVE | SOIC | D | 8 | 2500 | Green (RoHS & no Sb/Br) | CU NIPDAU | Level-1-260C-UNLIM | -40 to 125 | I7220C | Samples |
| ISO7220CDRG4 | ACTIVE | SOIC | D | 8 | 2500 | Green (RoHS & no Sb/Br) | CU NIPDAU | Level-1-260C-UNLIM | -40 to 125 | I7220C | Samples |
| ISO7220MD | ACTIVE | SOIC | D | 8 | 75 | Green (RoHS & no Sb/Br) | CU NIPDAU | Level-1-260C-UNLIM | -40 to 125 | I7220M | Samples |
| ISO7220MDG4 | ACTIVE | SOIC | D | 8 | 75 | Green (RoHS & no Sb/Br) | CU NIPDAU | Level-1-260C-UNLIM | -40 to 125 | I7220M | Samples |
| ISO7220MDR | ACTIVE | SOIC | D | 8 | 2500 | Green (RoHS & no Sb/Br) | CU NIPDAU | Level-1-260C-UNLIM | -40 to 125 | I7220M | Samples |
| ISO7220MDRG4 | ACTIVE | SOIC | D | 8 | 2500 | Green (RoHS & no Sb/Br) | CU NIPDAU | Level-1-260C-UNLIM | -40 to 125 | I7220M | Samples |
| ISO7221AD | ACTIVE | SOIC | D | 8 | 75 | Green (RoHS & no Sb/Br) | CU NIPDAU | Level-1-260C-UNLIM | -40 to 125 | I7221A | Samples |

| Orderable Device | Status (1) | Package Type | Package Drawing | Pins | Package Qty | Eco Plan (2) | Lead/Ball Finish (6) | MSL Peak Temp (3) | Op Temp (°C) | Device Marking (4/5) | Samples |
|------------------|---------------|--------------|-----------------|------|-------------|-------------------------|-------------------------|----------------------|--------------|-------------------------|-------------------------|
| ISO7221ADG4 | ACTIVE | SOIC | D | 8 | 75 | Green (RoHS & no Sb/Br) | CU NIPDAU | Level-1-260C-UNLIM | -40 to 125 | I7221A | Samples |
| ISO7221ADR | ACTIVE | SOIC | D | 8 | 2500 | Green (RoHS & no Sb/Br) | CU NIPDAU | Level-1-260C-UNLIM | -40 to 125 | I7221A | Samples |
| ISO7221ADRG4 | ACTIVE | SOIC | D | 8 | 2500 | Green (RoHS & no Sb/Br) | CU NIPDAU | Level-1-260C-UNLIM | -40 to 125 | I7221A | Samples |
| ISO7221BD | ACTIVE | SOIC | D | 8 | 75 | Green (RoHS & no Sb/Br) | CU NIPDAU | Level-1-260C-UNLIM | -40 to 125 | I7221B | Samples |
| ISO7221BDG4 | ACTIVE | SOIC | D | 8 | 75 | Green (RoHS & no Sb/Br) | CU NIPDAU | Level-1-260C-UNLIM | -40 to 125 | I7221B | Samples |
| ISO7221BDR | ACTIVE | SOIC | D | 8 | 2500 | Green (RoHS & no Sb/Br) | CU NIPDAU | Level-1-260C-UNLIM | -40 to 125 | I7221B | Samples |
| ISO7221BDRG4 | ACTIVE | SOIC | D | 8 | 2500 | Green (RoHS & no Sb/Br) | CU NIPDAU | Level-1-260C-UNLIM | -40 to 125 | I7221B | Samples |
| ISO7221CD | ACTIVE | SOIC | D | 8 | 75 | Green (RoHS & no Sb/Br) | CU NIPDAU | Level-1-260C-UNLIM | -40 to 125 | I7221C | Samples |
| ISO7221CDG4 | ACTIVE | SOIC | D | 8 | 75 | Green (RoHS & no Sb/Br) | CU NIPDAU | Level-1-260C-UNLIM | -40 to 125 | I7221C | Samples |
| ISO7221CDR | ACTIVE | SOIC | D | 8 | 2500 | Green (RoHS & no Sb/Br) | CU NIPDAU | Level-1-260C-UNLIM | -40 to 125 | I7221C | Samples |
| ISO7221CDRG4 | ACTIVE | SOIC | D | 8 | 2500 | Green (RoHS & no Sb/Br) | CU NIPDAU | Level-1-260C-UNLIM | -40 to 125 | I7221C | Samples |
| ISO7221MD | ACTIVE | SOIC | D | 8 | 75 | Green (RoHS & no Sb/Br) | CU NIPDAU | Level-1-260C-UNLIM | -40 to 125 | I7221M | Samples |
| ISO7221MDG4 | ACTIVE | SOIC | D | 8 | 75 | Green (RoHS & no Sb/Br) | CU NIPDAU | Level-1-260C-UNLIM | -40 to 125 | I7221M | Samples |
| ISO7221MDR | ACTIVE | SOIC | D | 8 | 2500 | Green (RoHS & no Sb/Br) | CU NIPDAU | Level-1-260C-UNLIM | -40 to 125 | I7221M | Samples |
| ISO7221MDRG4 | ACTIVE | SOIC | D | 8 | 2500 | Green (RoHS & no Sb/Br) | CU NIPDAU | Level-1-260C-UNLIM | -40 to 125 | I7221M | Samples |

(1) The marketing status values are defined as follows:

ACTIVE: Product device recommended for new designs.

LIFEBUY: TI has announced that the device will be discontinued, and a lifetime-buy period is in effect.

NRND: Not recommended for new designs. Device is in production to support existing customers, but TI does not recommend using this part in a new design.

PREVIEW: Device has been announced but is not in production. Samples may or may not be available.

OBSELETE: TI has discontinued the production of the device.

(2) Eco Plan - The planned eco-friendly classification: Pb-Free (RoHS), Pb-Free (RoHS Exempt), or Green (RoHS & no Sb/Br) - please check <http://www.ti.com/productcontent> for the latest availability information and additional product content details.

TBD: The Pb-Free/Green conversion plan has not been defined.

Pb-Free (RoHS): TI's terms "Lead-Free" or "Pb-Free" mean semiconductor products that are compatible with the current RoHS requirements for all 6 substances, including the requirement that lead not exceed 0.1% by weight in homogeneous materials. Where designed to be soldered at high temperatures, TI Pb-Free products are suitable for use in specified lead-free processes.

Pb-Free (RoHS Exempt): This component has a RoHS exemption for either 1) lead-based flip-chip solder bumps used between the die and package, or 2) lead-based die adhesive used between the die and leadframe. The component is otherwise considered Pb-Free (RoHS compatible) as defined above.

Green (RoHS & no Sb/Br): TI defines "Green" to mean Pb-Free (RoHS compatible), and free of Bromine (Br) and Antimony (Sb) based flame retardants (Br or Sb do not exceed 0.1% by weight in homogeneous material)

(3) MSL, Peak Temp. - The Moisture Sensitivity Level rating according to the JEDEC industry standard classifications, and peak solder temperature.

(4) There may be additional marking, which relates to the logo, the lot trace code information, or the environmental category on the device.

(5) Multiple Device Markings will be inside parentheses. Only one Device Marking contained in parentheses and separated by a "~" will appear on a device. If a line is indented then it is a continuation of the previous line and the two combined represent the entire Device Marking for that device.

(6) Lead/Ball Finish - Orderable Devices may have multiple material finish options. Finish options are separated by a vertical ruled line. Lead/Ball Finish values may wrap to two lines if the finish value exceeds the maximum column width.

Important Information and Disclaimer: The information provided on this page represents TI's knowledge and belief as of the date that it is provided. TI bases its knowledge and belief on information provided by third parties, and makes no representation or warranty as to the accuracy of such information. Efforts are underway to better integrate information from third parties. TI has taken and continues to take reasonable steps to provide representative and accurate information but may not have conducted destructive testing or chemical analysis on incoming materials and chemicals. TI and TI suppliers consider certain information to be proprietary, and thus CAS numbers and other limited information may not be available for release.

In no event shall TI's liability arising out of such information exceed the total purchase price of the TI part(s) at issue in this document sold by TI to Customer on an annual basis.

OTHER QUALIFIED VERSIONS OF ISO7220A, ISO7221A, ISO7221C :

- Automotive: [ISO7220A-Q1](#), [ISO7221A-Q1](#), [ISO7221C-Q1](#)

NOTE: Qualified Version Definitions:

- Automotive - Q100 devices qualified for high-reliability automotive applications targeting zero defects

TAPE AND REEL INFORMATION



QUADRANT ASSIGNMENTS FOR PIN 1 ORIENTATION IN TAPE



*All dimensions are nominal

| Device | Package Type | Package Drawing | Pins | SPQ | Reel Diameter (mm) | Reel Width W1 (mm) | A0 (mm) | B0 (mm) | K0 (mm) | P1 (mm) | W (mm) | Pin1 Quadrant |
|------------|--------------|-----------------|------|------|--------------------|--------------------|---------|---------|---------|---------|--------|---------------|
| ISO7220ADR | SOIC | D | 8 | 2500 | 330.0 | 12.4 | 6.4 | 5.2 | 2.1 | 8.0 | 12.0 | Q1 |
| ISO7220BDR | SOIC | D | 8 | 2500 | 330.0 | 12.4 | 6.4 | 5.2 | 2.1 | 8.0 | 12.0 | Q1 |
| ISO7220CDR | SOIC | D | 8 | 2500 | 330.0 | 12.4 | 6.4 | 5.2 | 2.1 | 8.0 | 12.0 | Q1 |
| ISO7220MDR | SOIC | D | 8 | 2500 | 330.0 | 12.4 | 6.4 | 5.2 | 2.1 | 8.0 | 12.0 | Q1 |
| ISO7221ADR | SOIC | D | 8 | 2500 | 330.0 | 12.4 | 6.4 | 5.2 | 2.1 | 8.0 | 12.0 | Q1 |
| ISO7221BDR | SOIC | D | 8 | 2500 | 330.0 | 12.4 | 6.4 | 5.2 | 2.1 | 8.0 | 12.0 | Q1 |
| ISO7221CDR | SOIC | D | 8 | 2500 | 330.0 | 12.4 | 6.4 | 5.2 | 2.1 | 8.0 | 12.0 | Q1 |
| ISO7221MDR | SOIC | D | 8 | 2500 | 330.0 | 12.4 | 6.4 | 5.2 | 2.1 | 8.0 | 12.0 | Q1 |

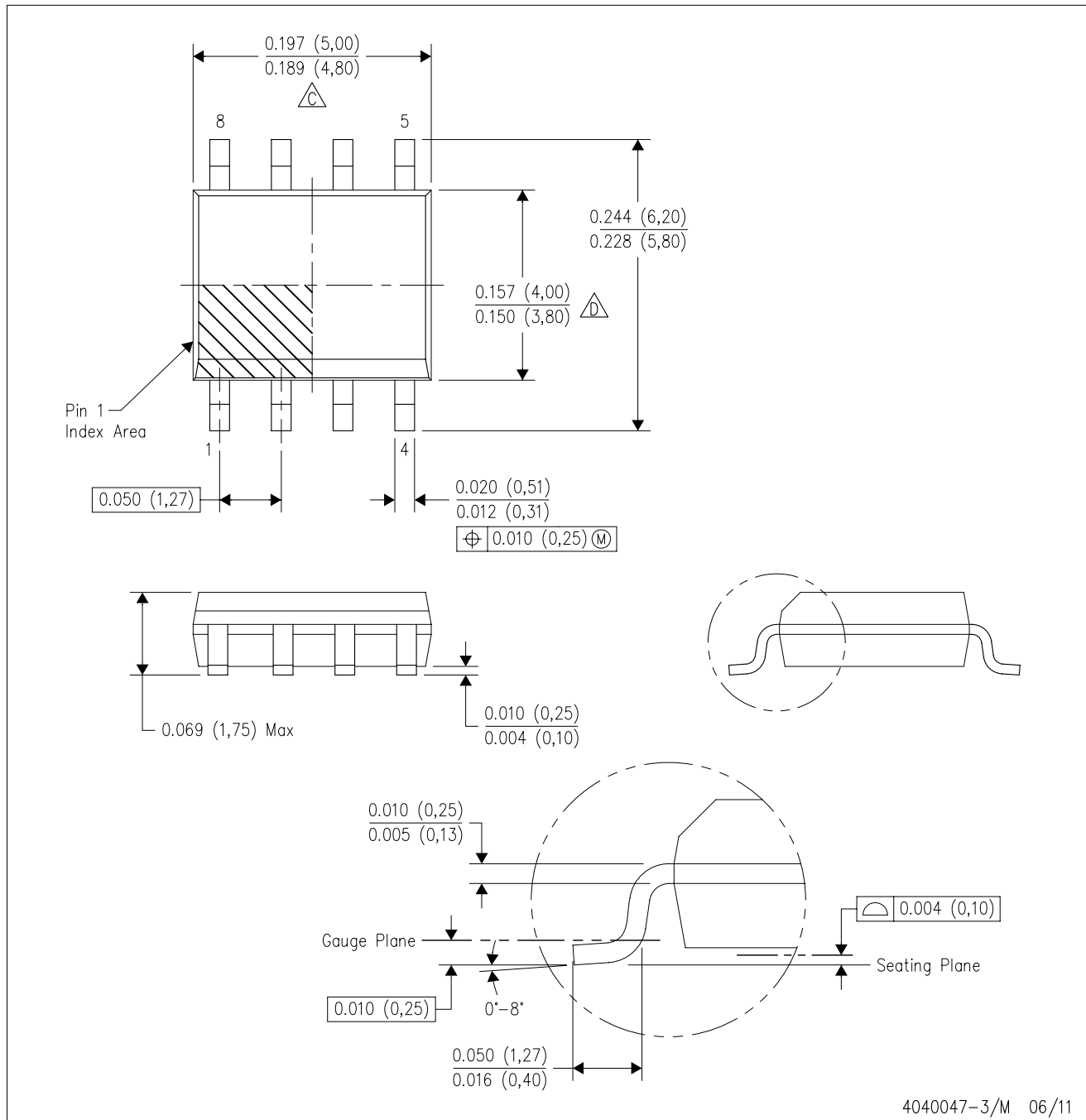
TAPE AND REEL BOX DIMENSIONS


*All dimensions are nominal

| Device | Package Type | Package Drawing | Pins | SPQ | Length (mm) | Width (mm) | Height (mm) |
|------------|--------------|-----------------|------|------|-------------|------------|-------------|
| ISO7220ADR | SOIC | D | 8 | 2500 | 367.0 | 367.0 | 35.0 |
| ISO7220BDR | SOIC | D | 8 | 2500 | 367.0 | 367.0 | 35.0 |
| ISO7220CDR | SOIC | D | 8 | 2500 | 367.0 | 367.0 | 35.0 |
| ISO7220MDR | SOIC | D | 8 | 2500 | 367.0 | 367.0 | 35.0 |
| ISO7221ADR | SOIC | D | 8 | 2500 | 367.0 | 367.0 | 35.0 |
| ISO7221BDR | SOIC | D | 8 | 2500 | 367.0 | 367.0 | 35.0 |
| ISO7221CDR | SOIC | D | 8 | 2500 | 367.0 | 367.0 | 35.0 |
| ISO7221MDR | SOIC | D | 8 | 2500 | 367.0 | 367.0 | 35.0 |

D (R-PDSO-G8)

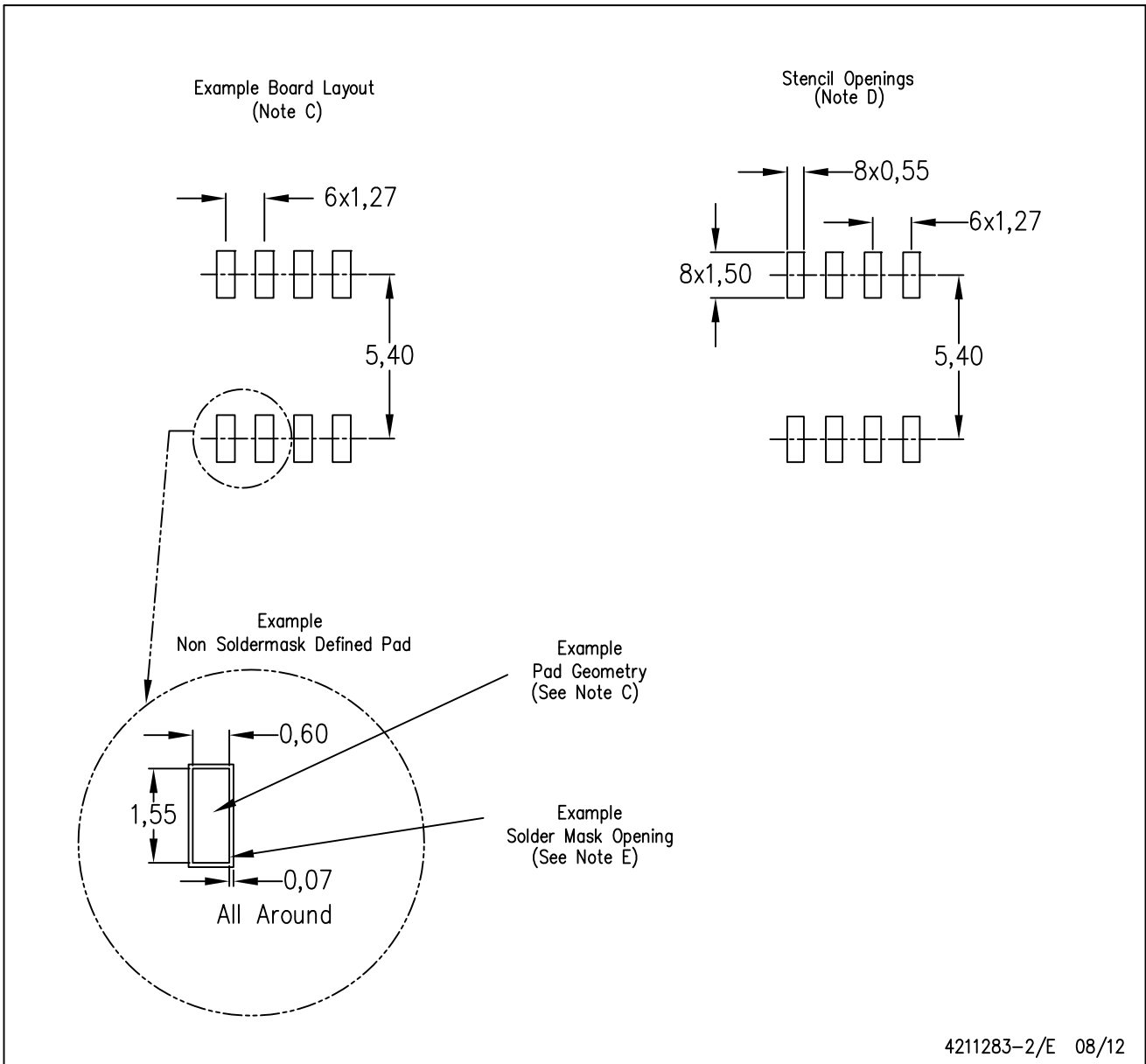
PLASTIC SMALL OUTLINE



- NOTES:
- A. All linear dimensions are in inches (millimeters).
 - B. This drawing is subject to change without notice.
 - $\triangle C$ Body length does not include mold flash, protrusions, or gate burrs. Mold flash, protrusions, or gate burrs shall not exceed 0.006 (0,15) each side.
 - $\triangle D$ Body width does not include interlead flash. Interlead flash shall not exceed 0.017 (0,43) each side.
 - E. Reference JEDEC MS-012 variation AA.

D (R-PDSO-G8)

PLASTIC SMALL OUTLINE



- NOTES:
- All linear dimensions are in millimeters.
 - This drawing is subject to change without notice.
 - Publication IPC-7351 is recommended for alternate designs.
 - Laser cutting apertures with trapezoidal walls and also rounding corners will offer better paste release. Customers should contact their board assembly site for stencil design recommendations. Refer to IPC-7525 for other stencil recommendations.
 - Customers should contact their board fabrication site for solder mask tolerances between and around signal pads.

IMPORTANT NOTICE

Texas Instruments Incorporated and its subsidiaries (TI) reserve the right to make corrections, enhancements, improvements and other changes to its semiconductor products and services per JESD46, latest issue, and to discontinue any product or service per JESD48, latest issue. Buyers should obtain the latest relevant information before placing orders and should verify that such information is current and complete. All semiconductor products (also referred to herein as "components") are sold subject to TI's terms and conditions of sale supplied at the time of order acknowledgment.

TI warrants performance of its components to the specifications applicable at the time of sale, in accordance with the warranty in TI's terms and conditions of sale of semiconductor products. Testing and other quality control techniques are used to the extent TI deems necessary to support this warranty. Except where mandated by applicable law, testing of all parameters of each component is not necessarily performed.

TI assumes no liability for applications assistance or the design of Buyers' products. Buyers are responsible for their products and applications using TI components. To minimize the risks associated with Buyers' products and applications, Buyers should provide adequate design and operating safeguards.

TI does not warrant or represent that any license, either express or implied, is granted under any patent right, copyright, mask work right, or other intellectual property right relating to any combination, machine, or process in which TI components or services are used. Information published by TI regarding third-party products or services does not constitute a license to use such products or services or a warranty or endorsement thereof. Use of such information may require a license from a third party under the patents or other intellectual property of the third party, or a license from TI under the patents or other intellectual property of TI.

Reproduction of significant portions of TI information in TI data books or data sheets is permissible only if reproduction is without alteration and is accompanied by all associated warranties, conditions, limitations, and notices. TI is not responsible or liable for such altered documentation. Information of third parties may be subject to additional restrictions.

Resale of TI components or services with statements different from or beyond the parameters stated by TI for that component or service voids all express and any implied warranties for the associated TI component or service and is an unfair and deceptive business practice. TI is not responsible or liable for any such statements.

Buyer acknowledges and agrees that it is solely responsible for compliance with all legal, regulatory and safety-related requirements concerning its products, and any use of TI components in its applications, notwithstanding any applications-related information or support that may be provided by TI. Buyer represents and agrees that it has all the necessary expertise to create and implement safeguards which anticipate dangerous consequences of failures, monitor failures and their consequences, lessen the likelihood of failures that might cause harm and take appropriate remedial actions. Buyer will fully indemnify TI and its representatives against any damages arising out of the use of any TI components in safety-critical applications.

In some cases, TI components may be promoted specifically to facilitate safety-related applications. With such components, TI's goal is to help enable customers to design and create their own end-product solutions that meet applicable functional safety standards and requirements. Nonetheless, such components are subject to these terms.

No TI components are authorized for use in FDA Class III (or similar life-critical medical equipment) unless authorized officers of the parties have executed a special agreement specifically governing such use.

Only those TI components which TI has specifically designated as military grade or "enhanced plastic" are designed and intended for use in military/aerospace applications or environments. Buyer acknowledges and agrees that any military or aerospace use of TI components which have **not** been so designated is solely at the Buyer's risk, and that Buyer is solely responsible for compliance with all legal and regulatory requirements in connection with such use.

TI has specifically designated certain components as meeting ISO/TS16949 requirements, mainly for automotive use. In any case of use of non-designated products, TI will not be responsible for any failure to meet ISO/TS16949.

Products

| | |
|------------------------------|--|
| Audio | www.ti.com/audio |
| Amplifiers | amplifier.ti.com |
| Data Converters | dataconverter.ti.com |
| DLP® Products | www.dlp.com |
| DSP | dsp.ti.com |
| Clocks and Timers | www.ti.com/clocks |
| Interface | interface.ti.com |
| Logic | logic.ti.com |
| Power Mgmt | power.ti.com |
| Microcontrollers | microcontroller.ti.com |
| RFID | www.ti-rfid.com |
| OMAP Applications Processors | www.ti.com/omap |
| Wireless Connectivity | www.ti.com/wirelessconnectivity |

Applications

| | |
|-------------------------------|--|
| Automotive and Transportation | www.ti.com/automotive |
| Communications and Telecom | www.ti.com/communications |
| Computers and Peripherals | www.ti.com/computers |
| Consumer Electronics | www.ti.com/consumer-apps |
| Energy and Lighting | www.ti.com/energy |
| Industrial | www.ti.com/industrial |
| Medical | www.ti.com/medical |
| Security | www.ti.com/security |
| Space, Avionics and Defense | www.ti.com/space-avionics-defense |
| Video and Imaging | www.ti.com/video |

TI E2E Community

e2e.ti.com