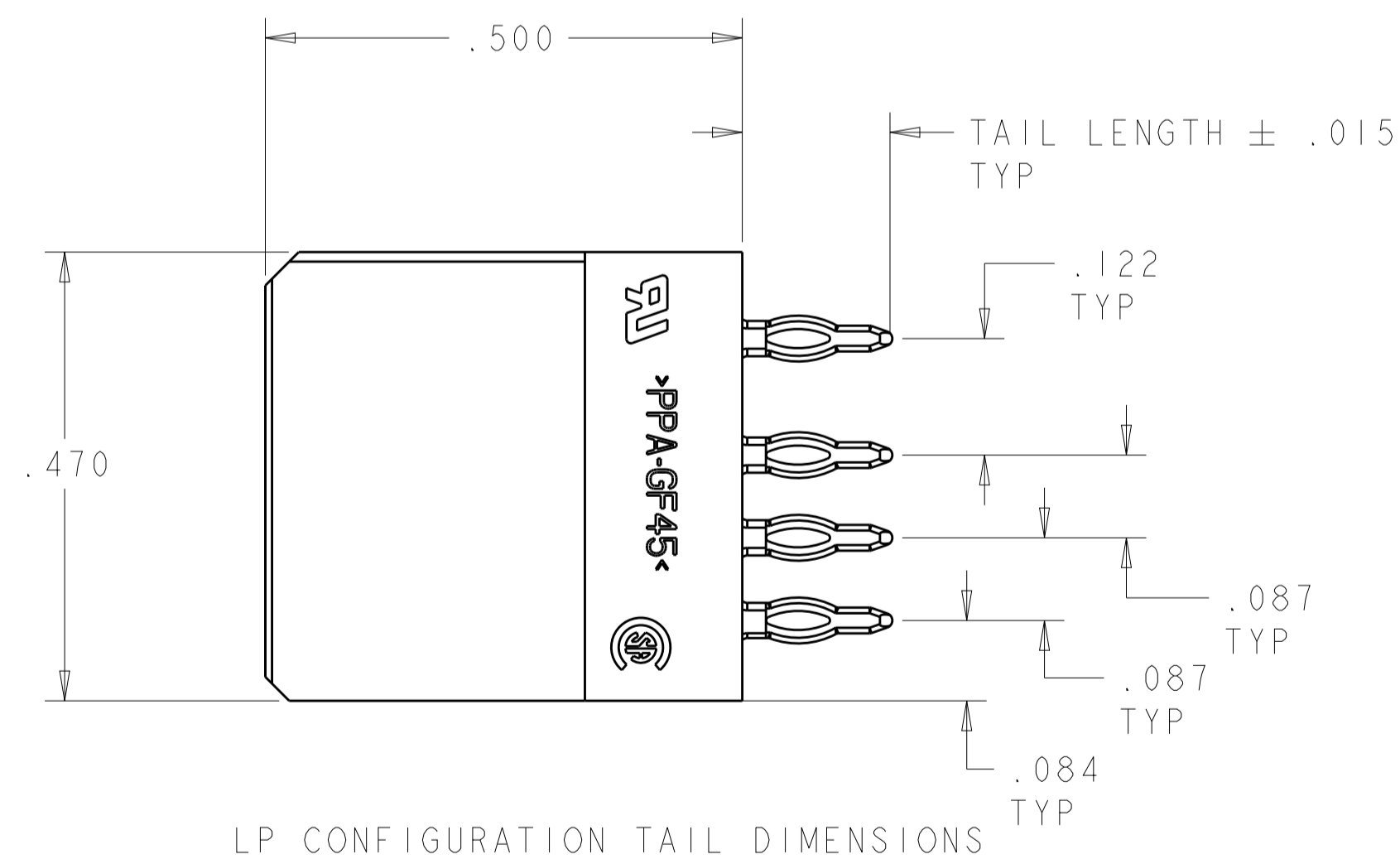
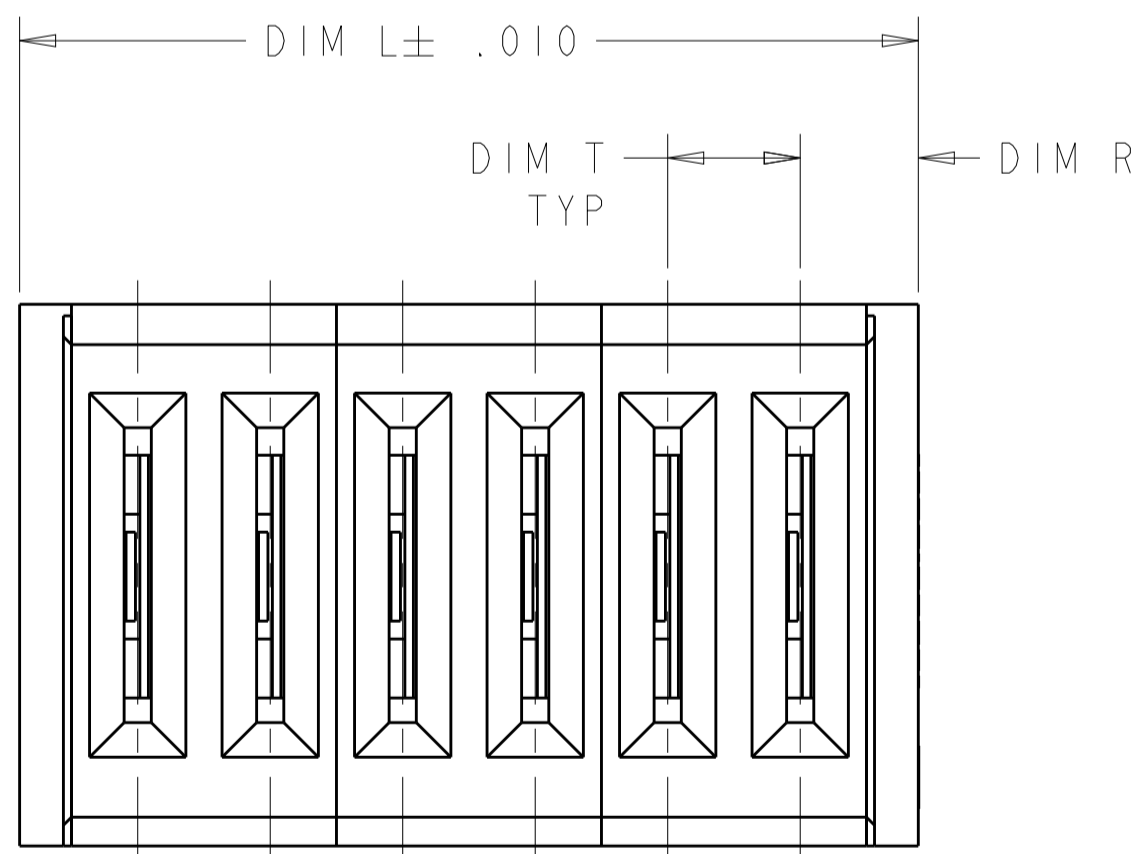
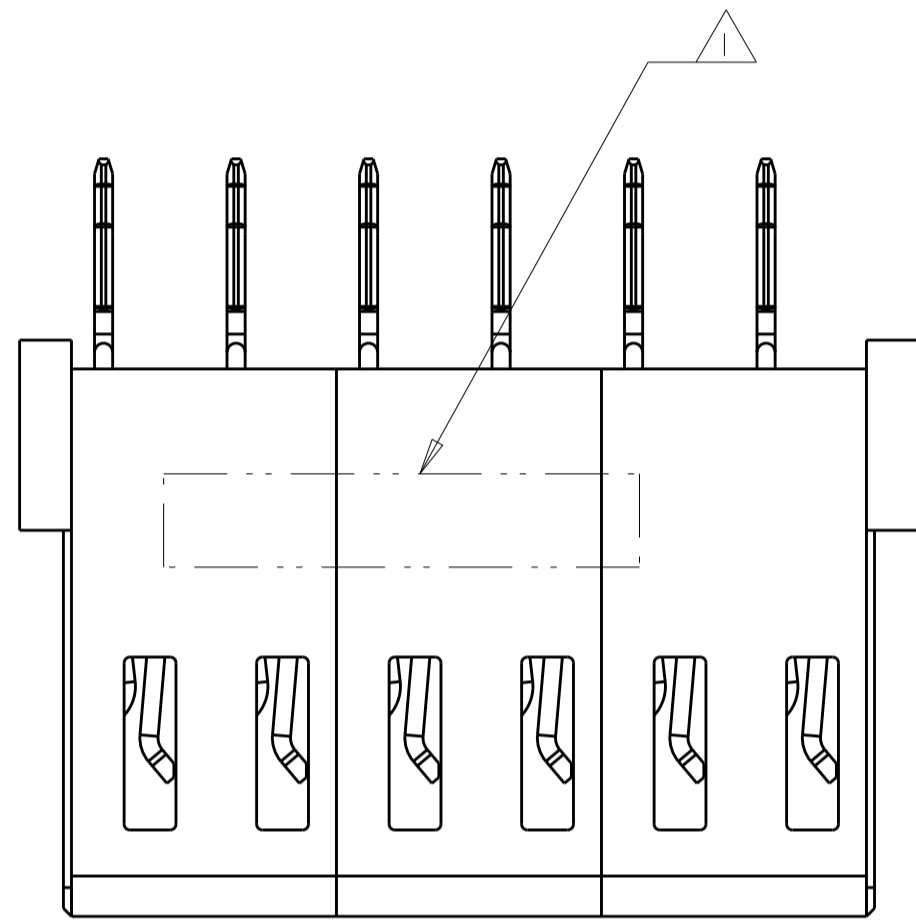
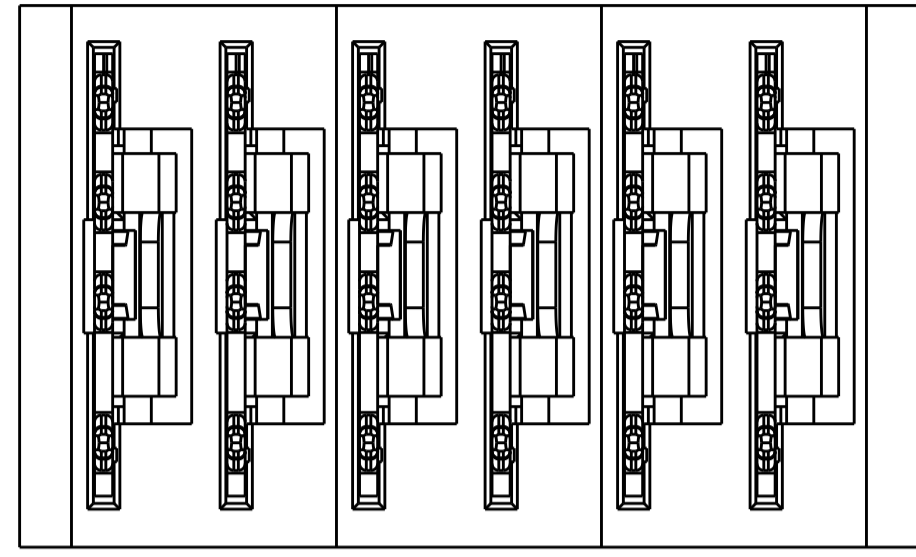


LOC		DIST		REVISIONS			
ES	00	P	LTN	DESCRIPTION	DATE	DWN	APVD
		D6		UPDATE -16 MODEL AND PCB LAYOUT	20FEB2013	AY	SZ
		D7		ADDED NEW DASH NUMBER	20MAY2013	CZ	SZ
		E		ADDED NEW DASH NUMBER 2-2	27FEB2015	CZ	SZ
		E1		ADD NEW DASH NUMBER 2-3	20MAR2015	CZ	SZ



- ① "AMP" PART NUMBER AND DATE CODE TO BE MARKED IN AREA SHOWN. PARTS 2.00 OR LESS MAYBE MARKED ON BOTH SIDES.
- ② MATERIAL: HOUSING - GLASS FILLED HIGH TEMP THERMO PLASTIC, UL94 V-0
POWER CONTACT - HIGH CONDUCTIVITY COPPER ALLOY
- ③ CONTACT PLATING: NOBLE METAL PLATING ON CONTACT FUNCTIONAL AREA OF POWER AND SIGNAL CONTACTS.
- ④ MECHANICAL CONNECTOR KEEP OUT ZONE
- ⑤ DATUM AND BASIC DIMENSIONS ESTABLISHED BY CUSTOMER
- ⑥ PCB - ALL HOLE DIMENSIONS ARE FINISHED HOLE SIZES
- ⑦ PCB - .0453±.0010 DRILLED HOLES. PLATED WITH .0003 MIN Sn OVER .001 TO .003 Cu PLATING TO ACHIEVE A .040 DIA. HOLE
- ⑧ FOR PART NUMBER 6450869-4,6450869-5,6450869-6,6450869-7 PLEASE REFER TO SHEET 2.
- ⑨ VARIABLE DIMENSIONS PLEASE REFER TO TABLE.
- ⑩ PLEASE REFER TO PARTS VIEW FOR DETAIL DIMENTIONS.

-	-	.1025	.115	.435	3LP	2-6450869-3
-	-	.1025	.115	.320	2LP	2-6450869-2
-	-	-	-	.540	2P	1-6450869-7
-	-	-	-	2.820	2HDP + 3LP + 40S + 4LP + 2HDP	1-6450869-6
-	-	-	-	1.370	1LP + 40S + 1LP	1-6450869-5
-	-	-	-	2.820	2ACP+ 1LP + 32S + 3HDP + 1LP + 1HDP	1-6450869-4
-	-	-	-	.400	2P	1-6450869-3
-	-	-	-	-	8P	6450869-8
-	-	.170	.200	2.715	12P	6450869-7
4.070	.120	1.295	.200	5.090	44S + 14P + 40S	6450869-6
-	1.595	.345	-	2.015	4P + 16S	6450869-5
-	.120	.795	.200	1.340	24S + 2P	6450869-4
-	-	-	-	-	4S + 17HDP + 8S	6450869-3
-	-	-	-	-	8S + 27P + 8S	6450869-2
-	-	.1025	.115	.780	6 LP	6450869-1
S	W	R	T	L	DESCRIPTION	PART NUMBER

THIS DRAWING IS A CONTROLLED DOCUMENT. DWN: H.LIU 30APR2008
 CHK: S.ZHAO 30APR2008

DIMENSIONS: INCHES. TOLERANCES UNLESS OTHERWISE SPECIFIED:
 0 PLC ±.01
 1 PLC ±.01
 2 PLC ±.01
 3 PLC ±.005
 4 PLC ±.0020
 ANGLES ±.0020

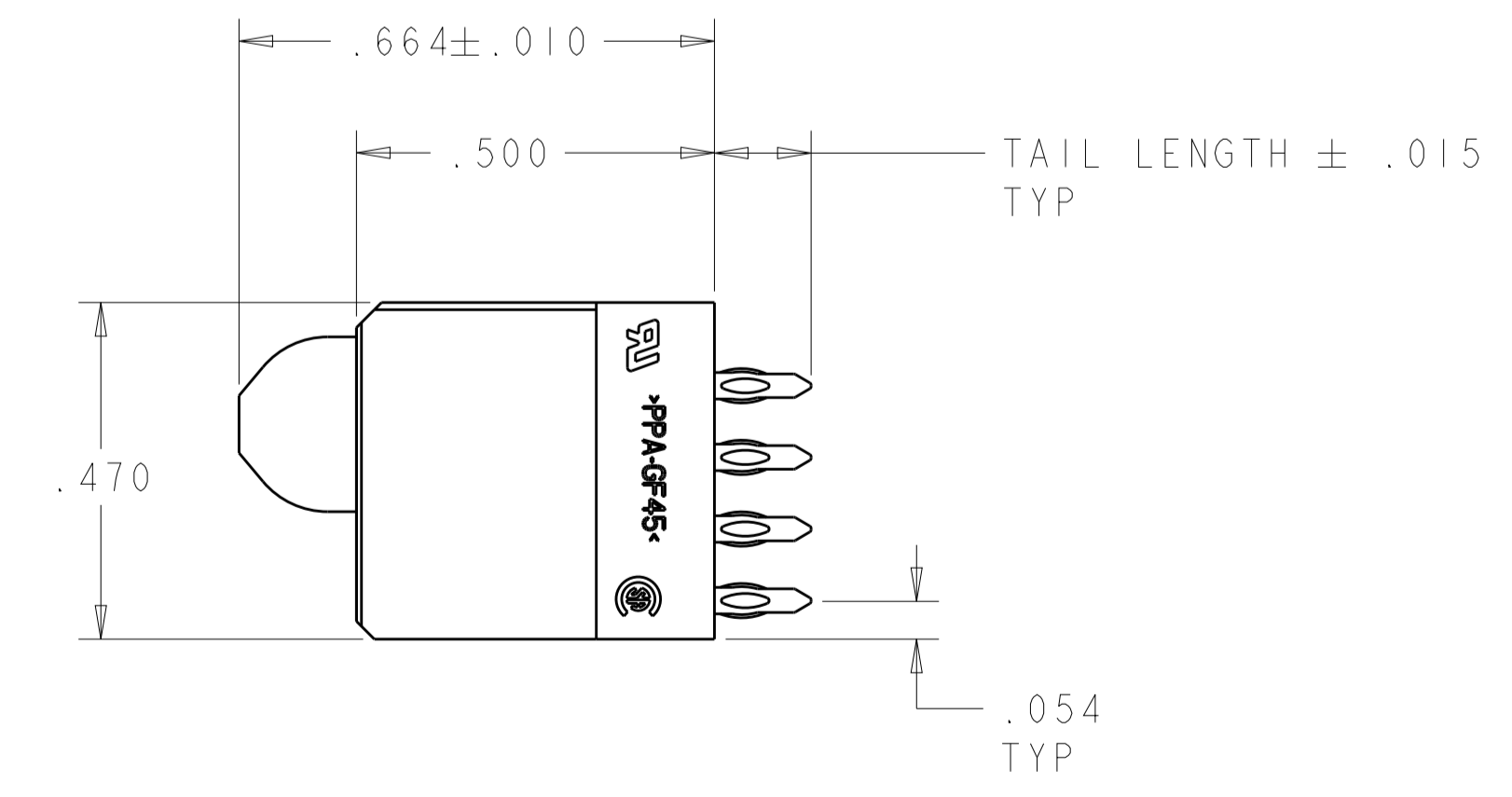
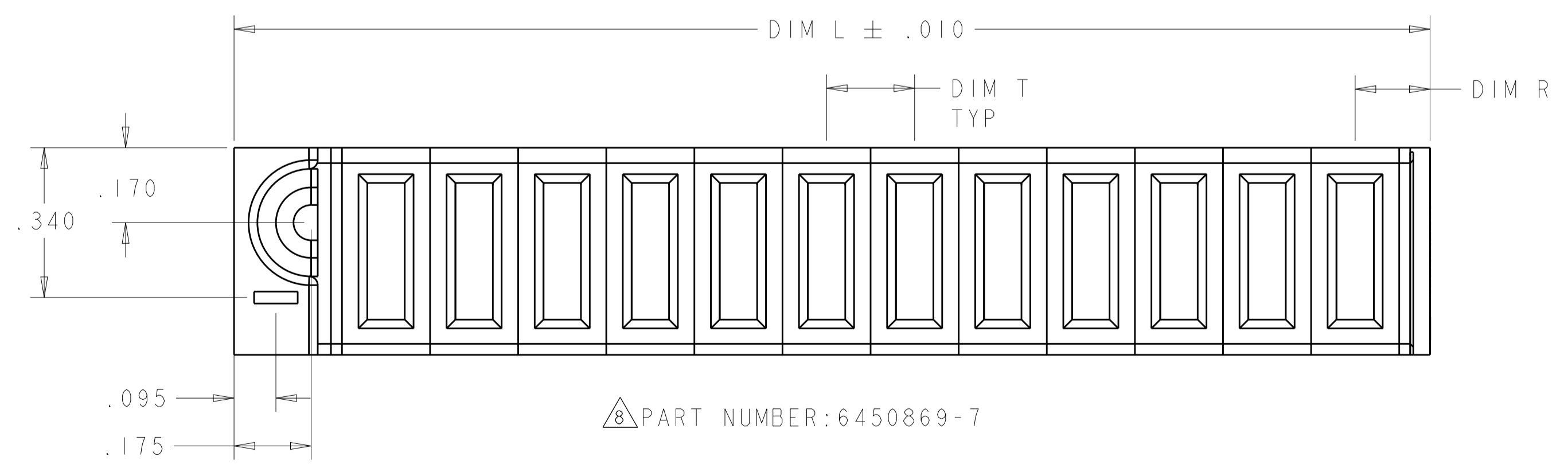
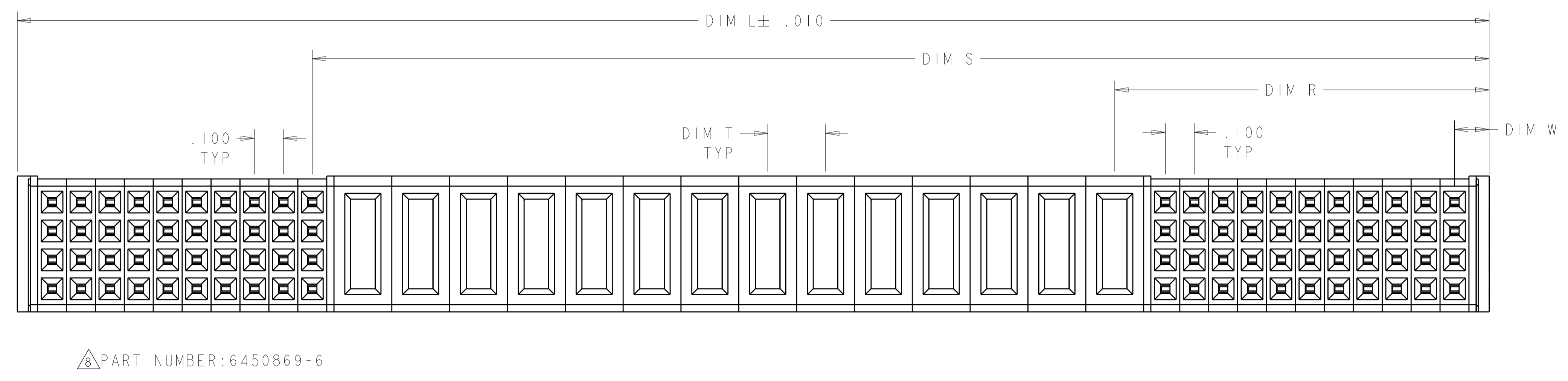
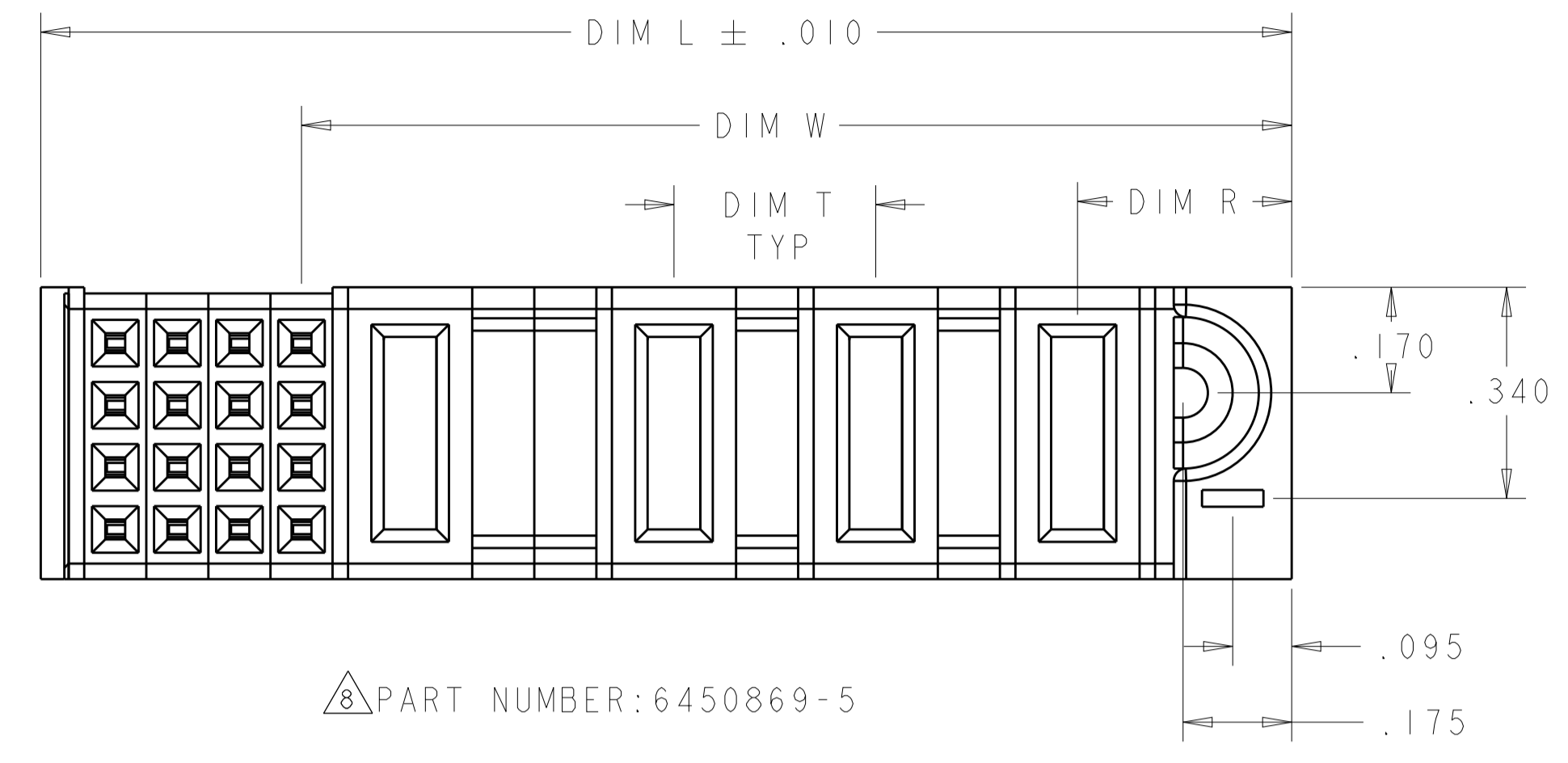
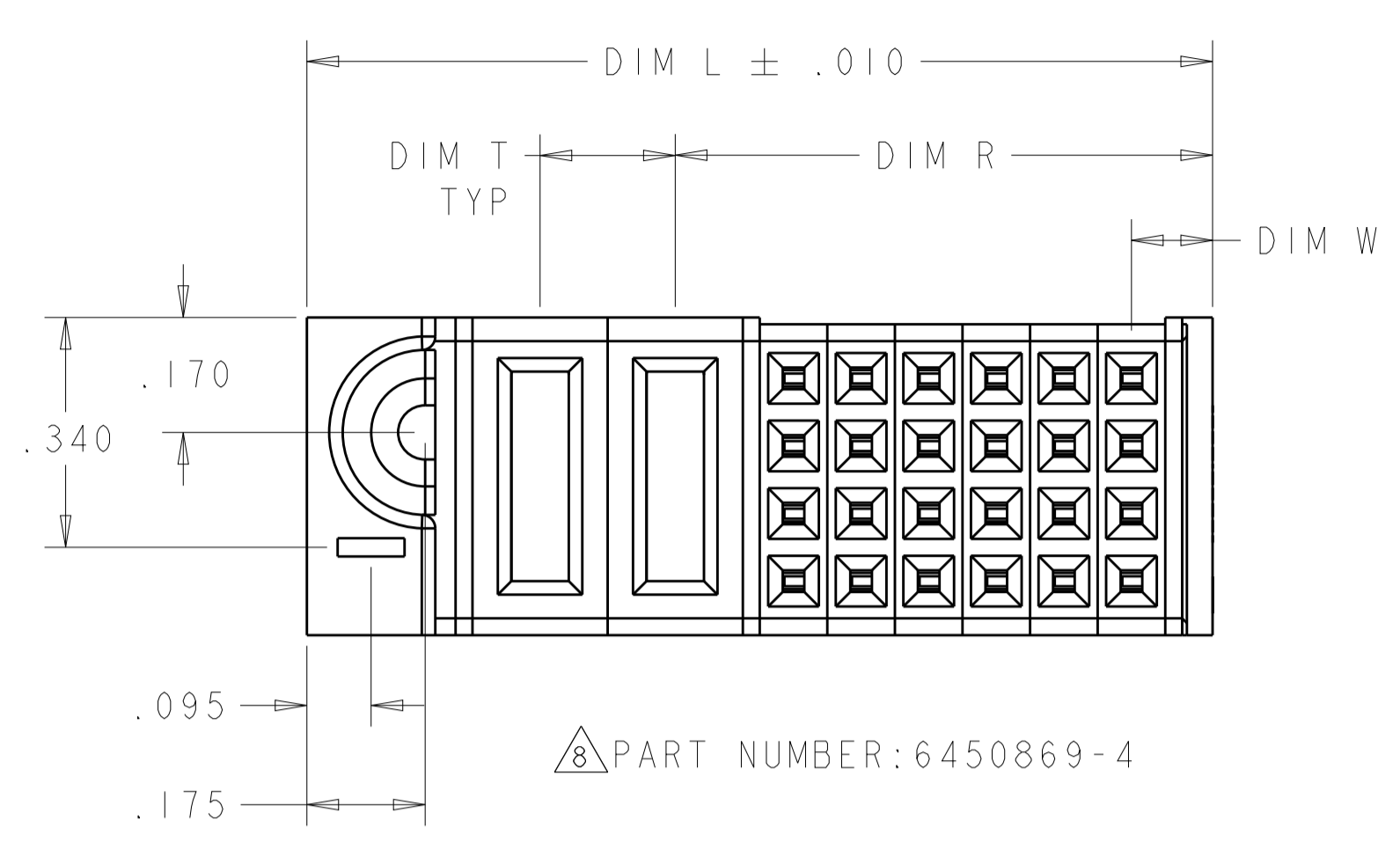
MATERIAL: ② FINISH: ③

APVD: S. YAO
 PRODUCT SPEC: 108-2292
 APPLICATION SPEC: 114-13038
 WEIGHT: -
 CUSTOMER DRAWING

NAME: VERTICAL RECEPTACLE ASSEMBLY NO GUIDES MULTI-BEAM XLE
 SIZE: A1
 CAGE CODE: 100779
 DRAWING NO: 6450869
 SCALE: 4:1 SHEET 1 OF 10 REV: E1

TE Connectivity

LOC		DIST		REVISIONS			
ES	00	REV	DATE	DESCRIPTION	DATE	BY	APPV
-	-	-	-	SEE SHEET 1	-	-	-

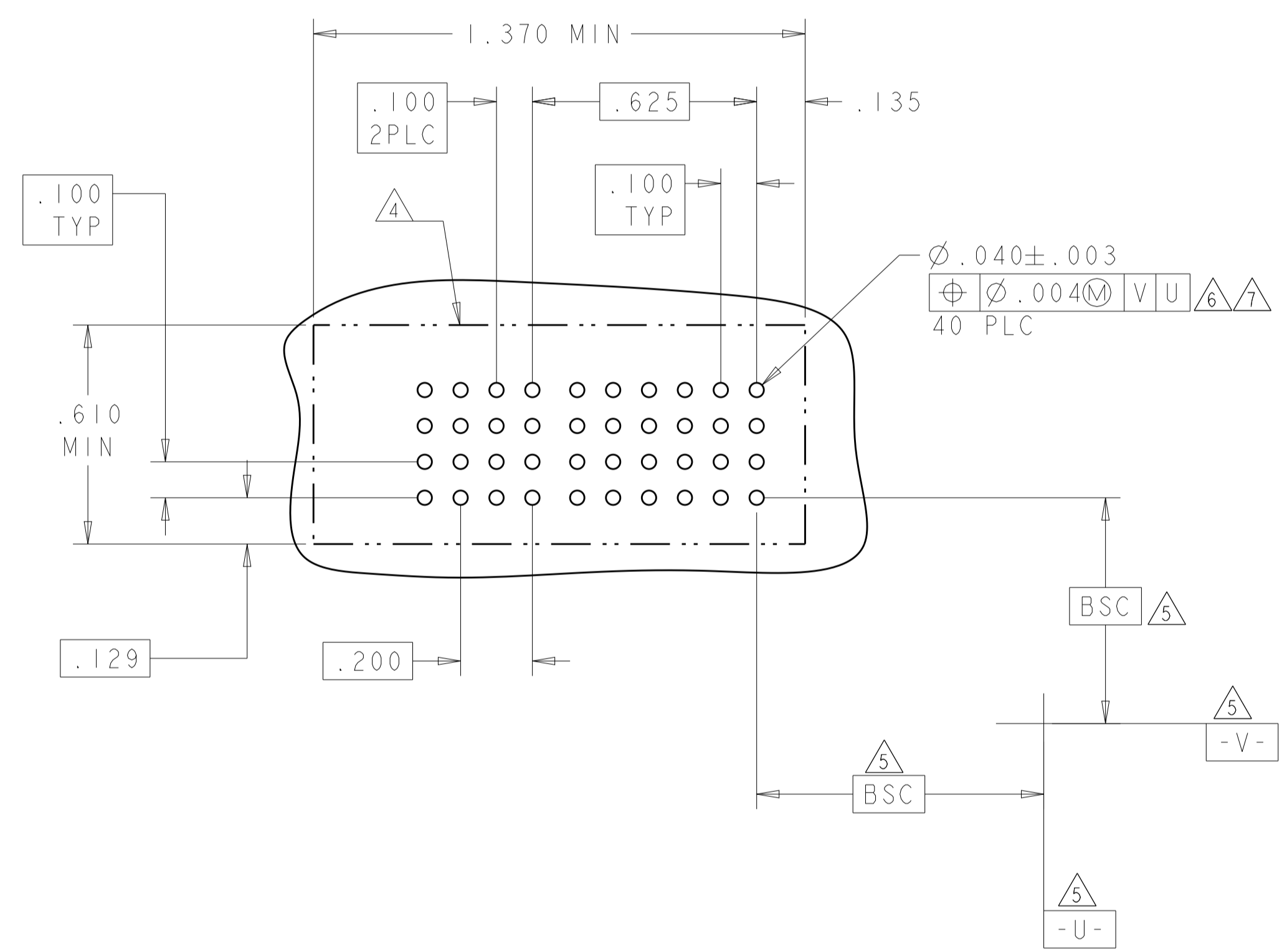
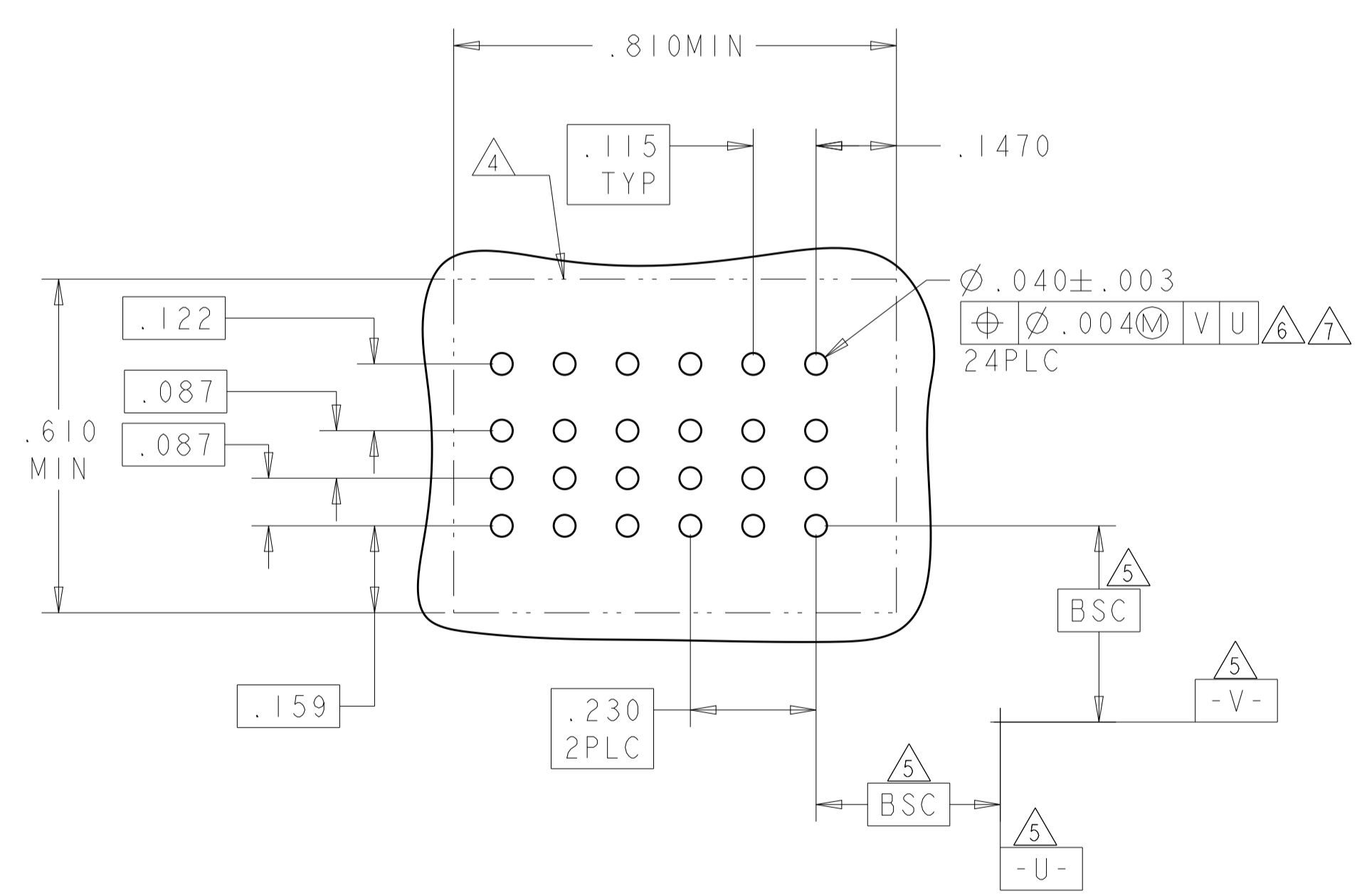


THIS DRAWING IS A CONTROLLED DOCUMENT.		DWN: H. LIU 30APR2008	TE Connectivity
DIMENSIONS: INCHES		CHK: S. ZHAO 30APR2008	
TOLERANCES UNLESS OTHERWISE SPECIFIED:		APVD: S. YAO	NAME: VERTICAL RECEPTACLE ASSEMBLY
0 PLC ± .01		PRODUCT SPEC: 108-2292	NO GUIDES
1 PLC ± .01		APPLICATION SPEC: 114-13038	MULTI-BEAM XLE
2 PLC ± .005		SIZE: A1	CAGE CODE: 6450869
3 PLC ± .0020		WEIGHT: -	RESTRICTED TO: -
ANGLES ± .020		CUSTOMER DRAWING	SCALE: 4:1 SHEET 2 OF 10 REV: E1
FINISH: -			

LOC	DIST	REV	DATE	BY	CHK	APPV
ES	00					

PART NUMBER	POWER					
	LP6	LP5	LP4	LP3	LP2	LP1
6450869-1	LSI	LSI	LSI	LSI	LSI	LSI
6 LP						

PART NUMBER	ROWS	POWER		SIGNAL						
		P2	PI	6	5	4	3	2	1	
6450869-4	D	GP	GS	AP	AP	AP	AP	AP	AP	
	C			AP	AP	AP	AP	AP	AP	
	B			AP	AP	AP	AP	AP	AP	
	A			AP	AP	AP	AP	AP	AP	
24S + 2P										



P	.115 TAIL LENGTH, PRESS FIT, SIGNAL
AP	.135 TAIL LENGTH, PRESS FIT, SIGNAL
VP	MFBL .115 TAIL LENGTH, PRESS FIT, POWER
VS	STD .115 TAIL LENGTH, PRESS FIT, POWER
GP	MFBL .135 TAIL LENGTH, PRESS FIT, POWER
GS	STD .135 TAIL LENGTH, PRESS FIT, POWER
LSI	STD .135 TAIL LENGTH, PRESS FIT, POWER
CODE	PRESS FIT
POWER CONTACT	

THIS DRAWING IS A CONTROLLED DOCUMENT.

DIMENSIONS: INCHES	TOLERANCES UNLESS OTHERWISE SPECIFIED:	0 PLC ± .01	1 PLC ± .01	2 PLC ± .01	3 PLC ± .01	4 PLC ± .005	5 PLC ± .002	ANGLES ± .020	FINISH
--------------------	--	-------------	-------------	-------------	-------------	--------------	--------------	---------------	--------

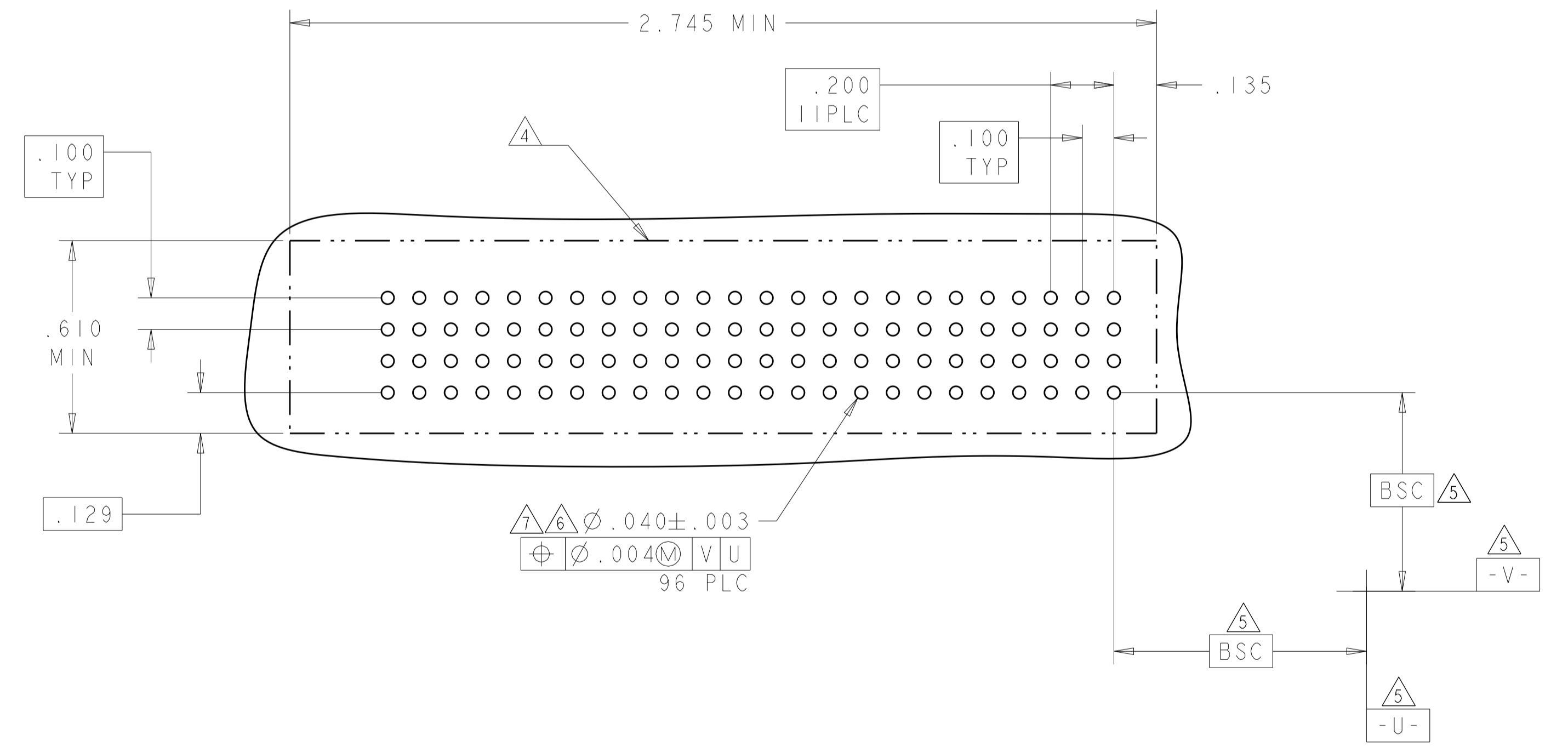
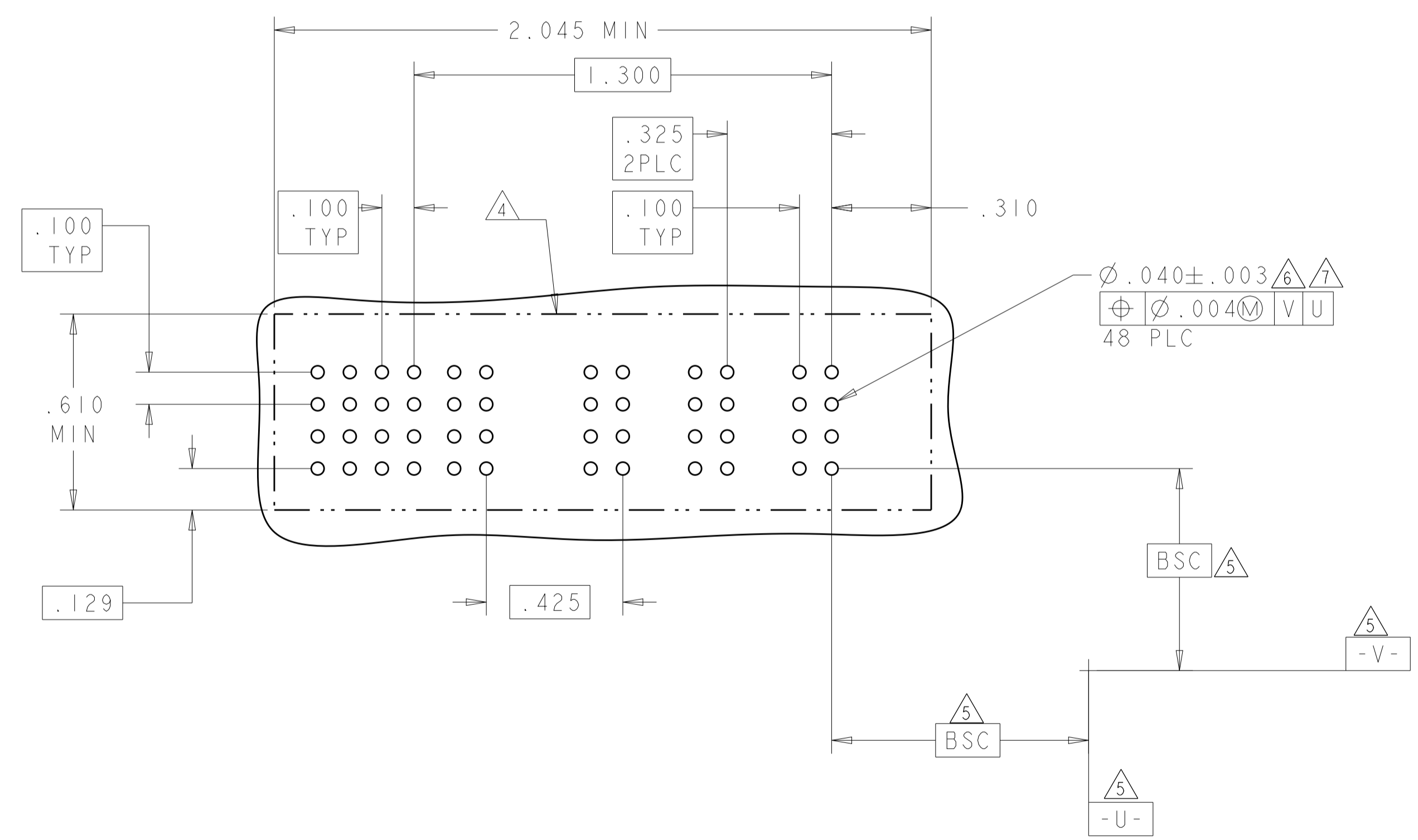
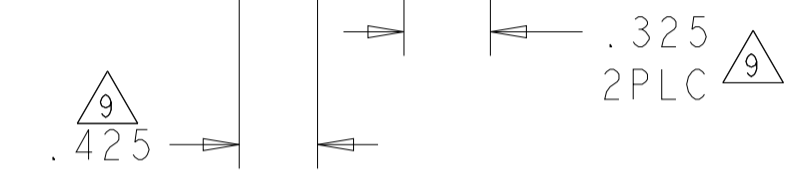
OWN: H. LIU	30APR2008	TE Connectivity
CHK: S. ZHAO	30APR2008	
APVD: S. YAO	NAME: VERTICAL RECEPTACLE ASSEMBLY	NO GUIDES MULTI-BEAM XLE
PRODUCT SPEC: 108-2292	SIZE: 114-13038	
APPLICATION SPEC: 114-13038	WEIGHT: -	
CUSTOMER DRAWING	SCALE: 4:1	

REVISIONS: SHEET 3 OF 10

LOC	DIST	REVISIONS			
P	LTN	DESCRIPTION	DATE	DMN	APVD
ES	00	SEE SHEET 1	-	-	-

PART NUMBER	ROWS	SIGNAL				POWER			
		4	3	2	1	P4	P3	P2	P1
6450869-5	D	AP	AP	AP	AP	GP	GS	GS	GS
	C	AP	AP	AP	AP				
	B	AP	AP	AP	AP				
	A	AP	AP	AP	AP				
4P + 16S									

PART NUMBER	POWER											
	P12	P11	P10	P9	P8	P7	P6	P5	P4	P3	P2	P1
6450869-7	GS	GS	GP	GS	GS	GS	GS	GS	GP	GS	GS	GS
12P												

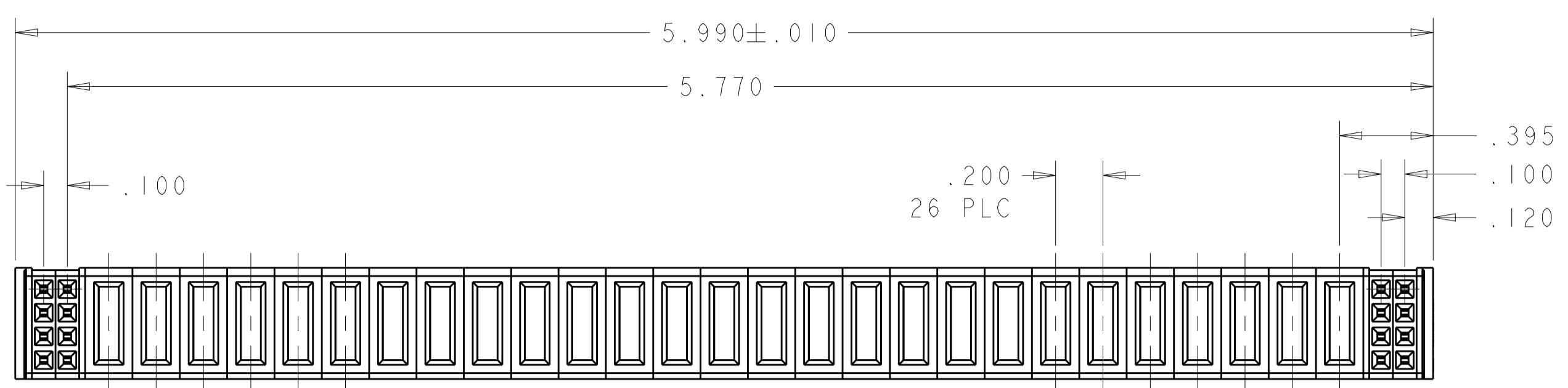


THIS DRAWING IS A CONTROLLED DOCUMENT.

DIMENSIONS: INCHES	TOLERANCES UNLESS OTHERWISE SPECIFIED: 0 PLC ±. 1 PLC ±. 2 PLC ±.01 3 PLC ±.005 4 PLC ±.0020 ANGLES ±.7°	FINISH	DMN: H.LIU 30APR2008 CHK: S.ZHAO 30APR2008 APVD: S.YAO	NAME: VERTICAL RECEPTACLE ASSEMBLY NO GUIDES MULTI-BEAM XLE
MATERIAL	FINISH	WEIGHT	PRODUCT SPEC: 108-2292 APPLICATION SPEC: 114-13038 CAGE CODE: A100779 DRAWING NO: 6450869	RESTRICTED TO: -
CUSTOMER DRAWING			SCALE: 4:1	SHEET 4 OF 10

STE TE Connectivity

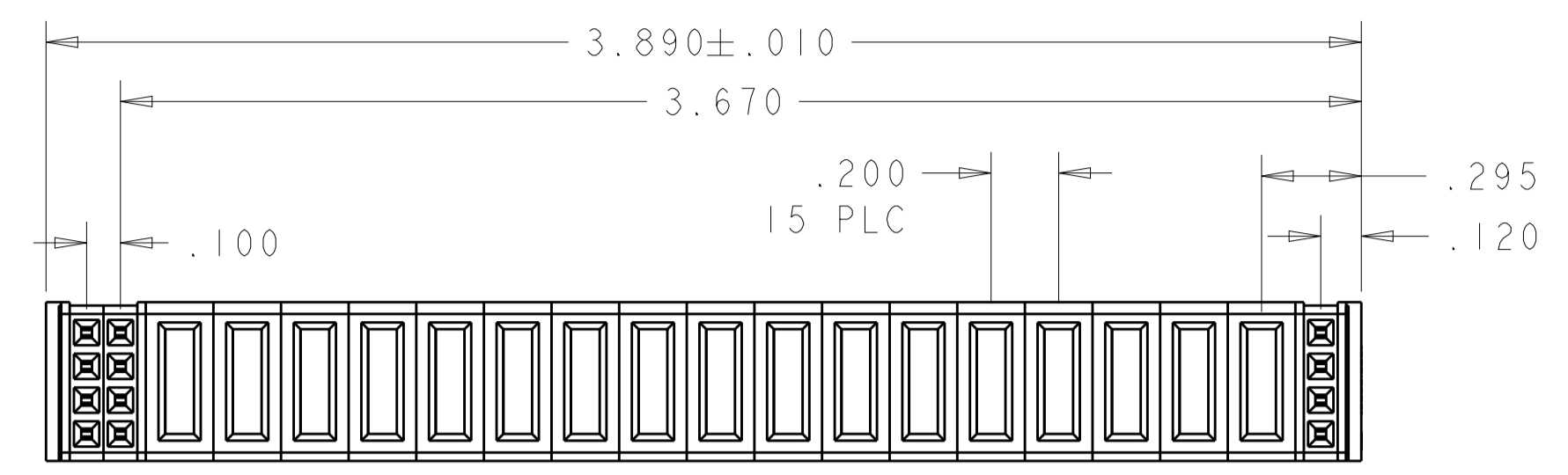
LOC	DIST	REVISIONS					
		P	LTN	DESCRIPTION	DATE	OWN	APVD
ES	00	-	-	SEE SHEET 1	-	-	-



PART NUMBER: 6450869-2

PART NUMBER	ROWS	SIGNAL		POWER																		SIGNAL									
		4	3	P27	P26	P25	P24	P23	P22	P21	P20	P19	P18	P17	P16	P15	P14	P13	P12	P11	P10	P9	P8	P7	P6	P5	P4	P3	P2	P1	2
6450869-2	D	P	P	VS	VS	VS	VS	VS	VS	VS	VS	VS	VS	VS	VS	VS	VS	VS	VS	VS	VS	VS	VS	VS	VS	VS	VS	VS	VS	P	P
	C	P	P																											P	P
	B	P	P																											P	P
	A	P	P																											P	P

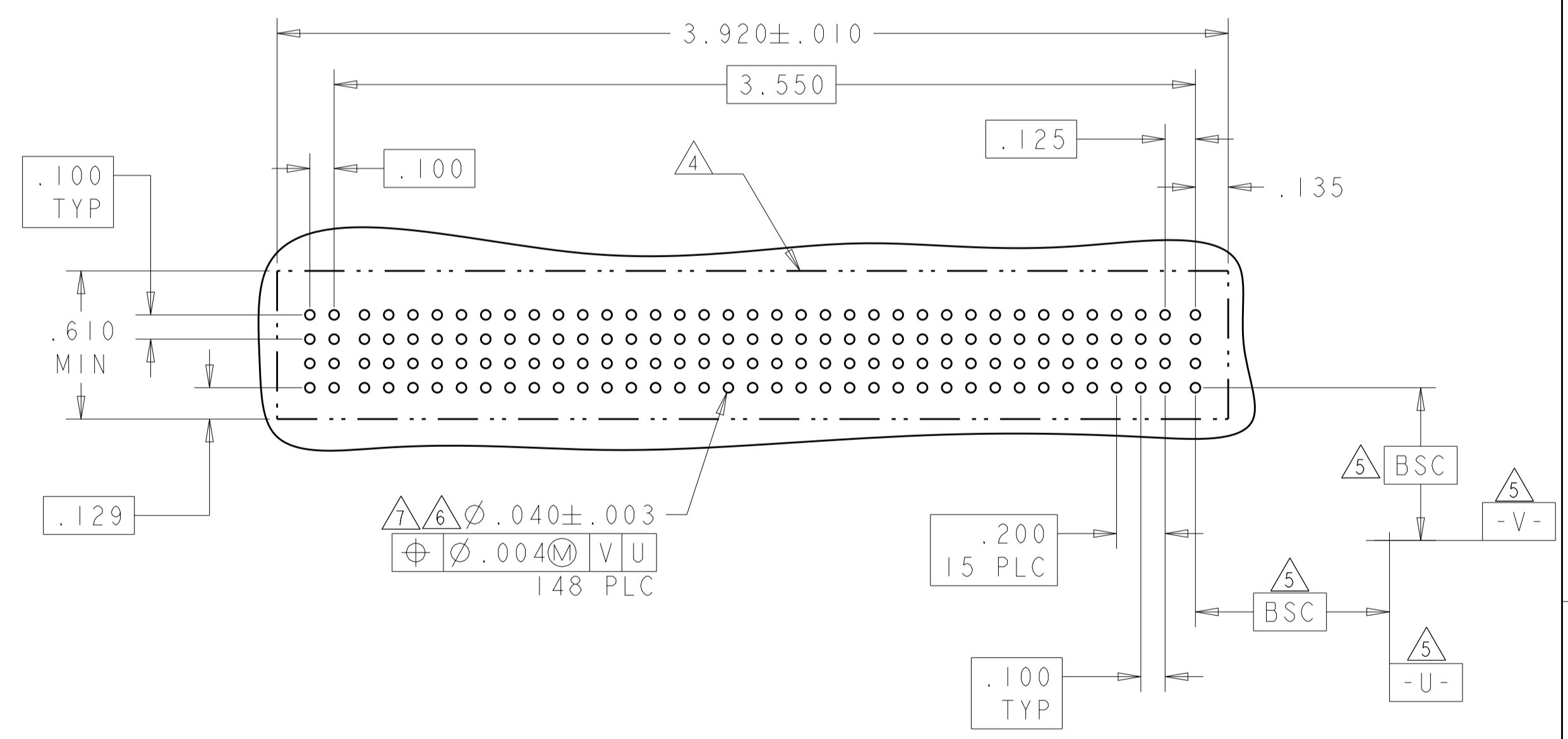
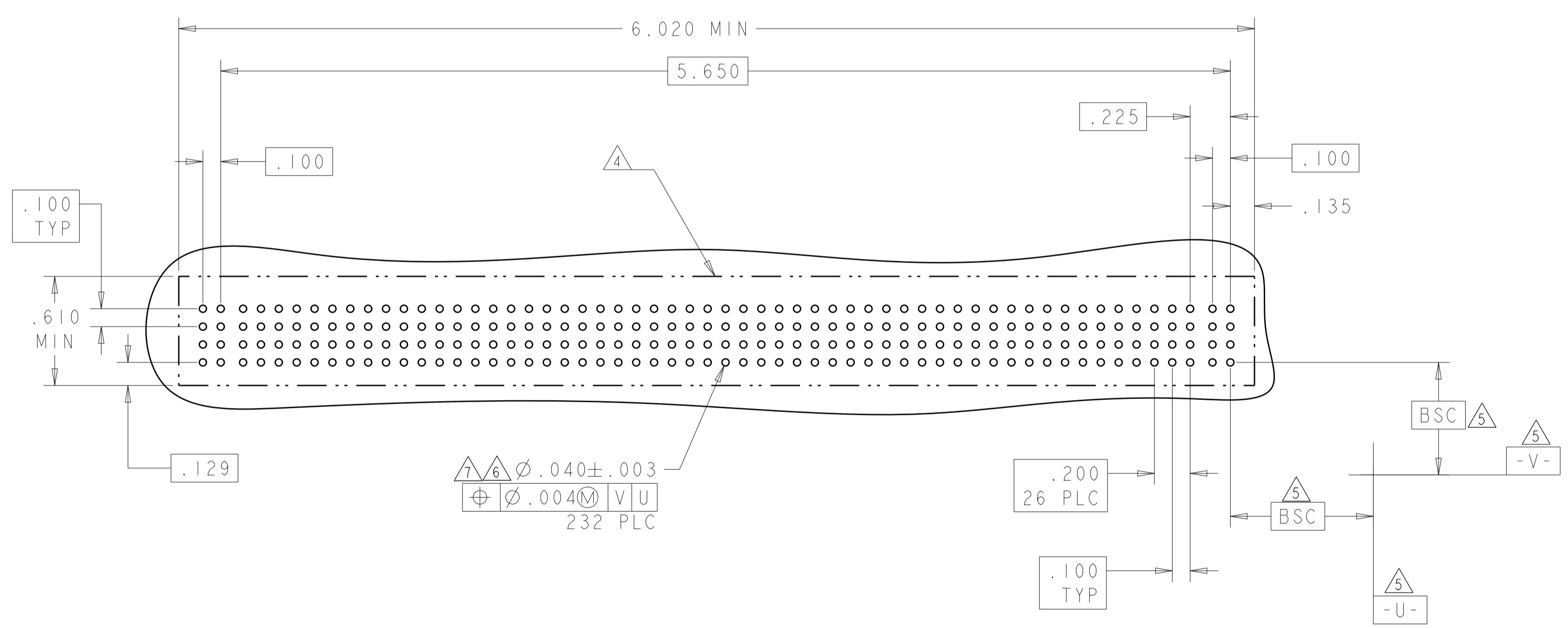
8S + 27P + 8S



PART NUMBER: 6450869-3

PART NUMBER	ROWS	SIGNAL		POWER																		S									
		3	2	P17	P16	P15	P14	P13	P12	P11	P10	P9	P8	P7	P6	P5	P4	P3	P2	P1	I										
6450869-3	D	P	P	VS	VS	VS	VS	VS	VS	VS	VS	VS	VS	VS	VS	VS	VS	VS	VS	VS	VS	VS	VS	VS	VS	VS	VS	VS	VS	P	P
	C	P	P																											P	P
	B	P	P																											P	P
	A	P	P																											P	P

4S + 17HDP + 8S



THIS DRAWING IS A CONTROLLED DOCUMENT. DWG: H.LIU 30APR2008
 CHK: S.ZHAO 30APR2008
 APVD: S.YAO

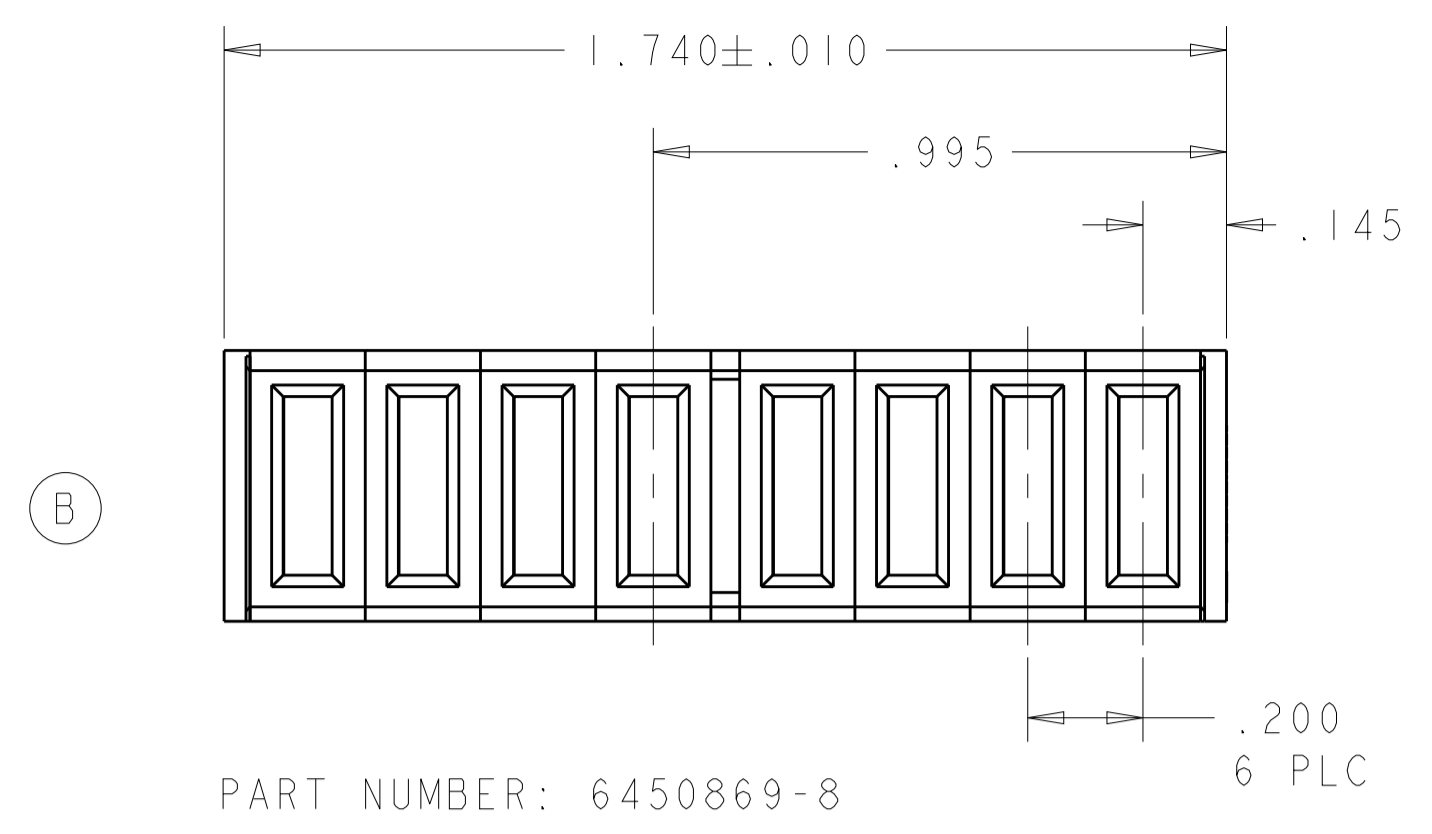
TE Connectivity

VERTICAL RECEPTACLE ASSEMBLY
 NO GUIDES
 MULTI-BEAM XLE

SIZE: A1 CAGE CODE: 114-13038 DRAWING NO: 100779 ©=6450869
 SHEET 6 OF 10

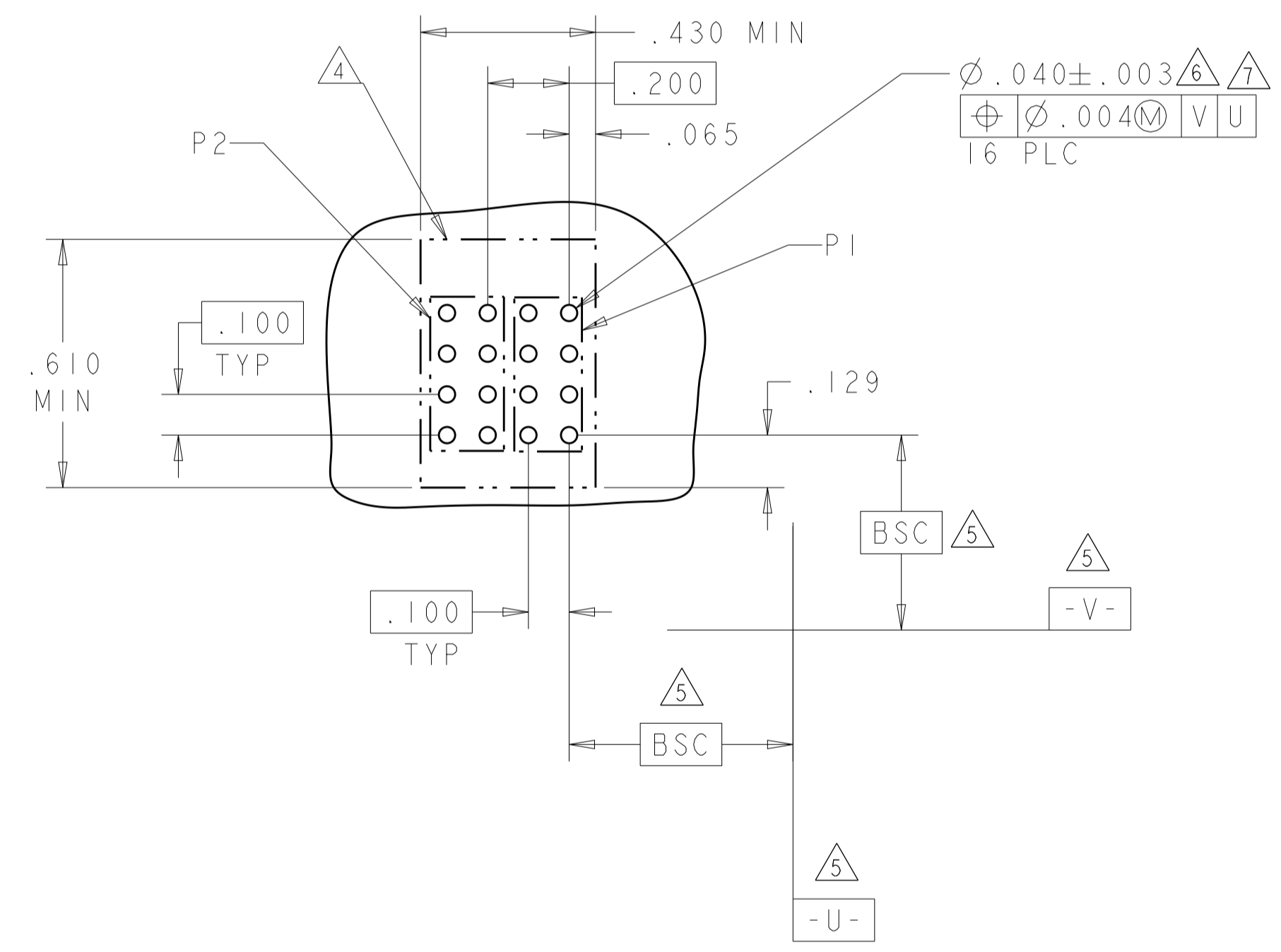
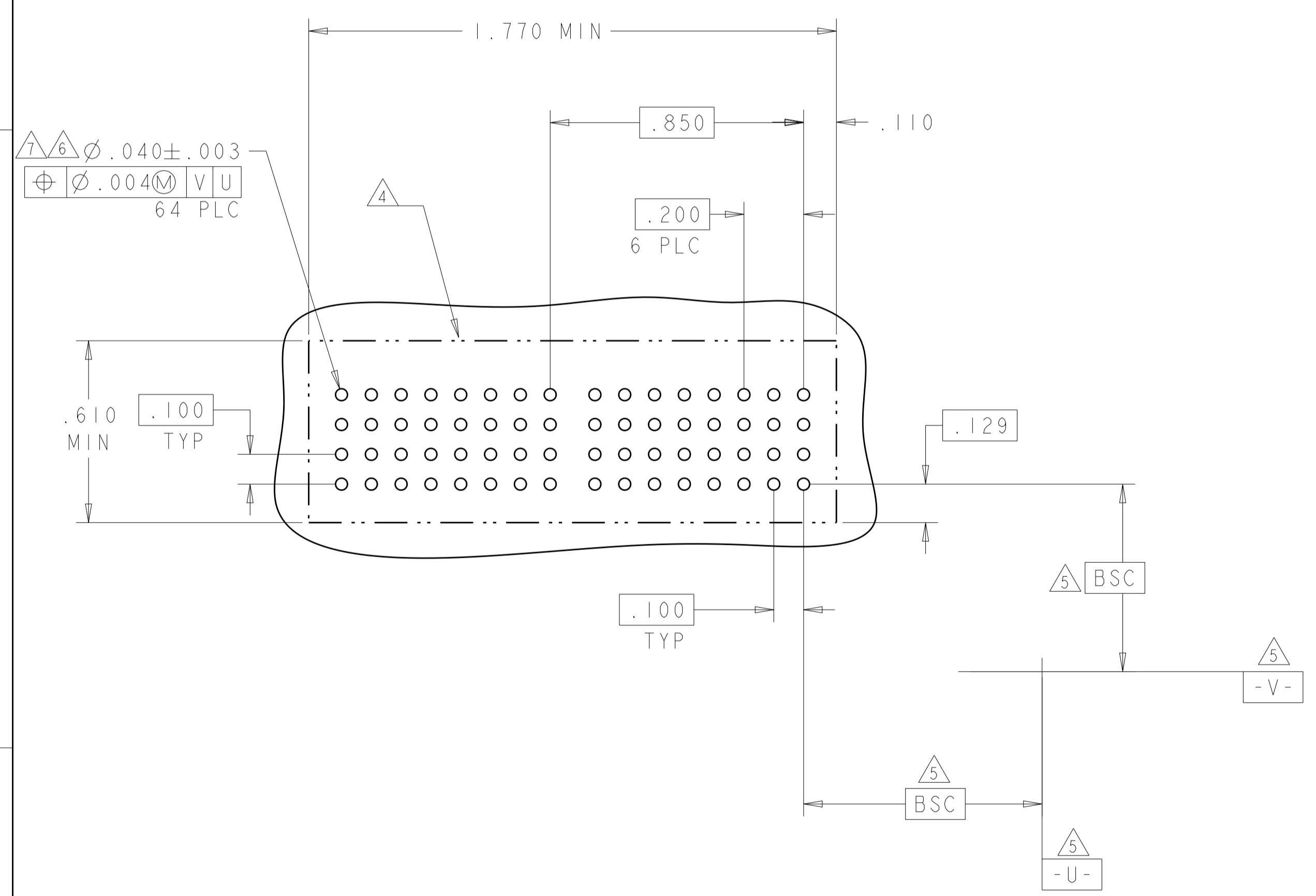
SCALE: 4:1

LOC	DIST	REVISIONS					
		P	LTN	DESCRIPTION	DATE	DWN	APVD
ES	00	-	-	SEE SHEET 1	-	-	-



PART NUMBER	POWER	
	P2	P1
1-6450869-3	GP	GS
2P		

PART NUMBER	ROWS	POWER							
		P8	P7	P6	P5	P4	P3	P2	P1
6450869-8	D								
	C	GS	GS	GS	GS	GS	GS	GS	GS
	B								
	A								
8P									

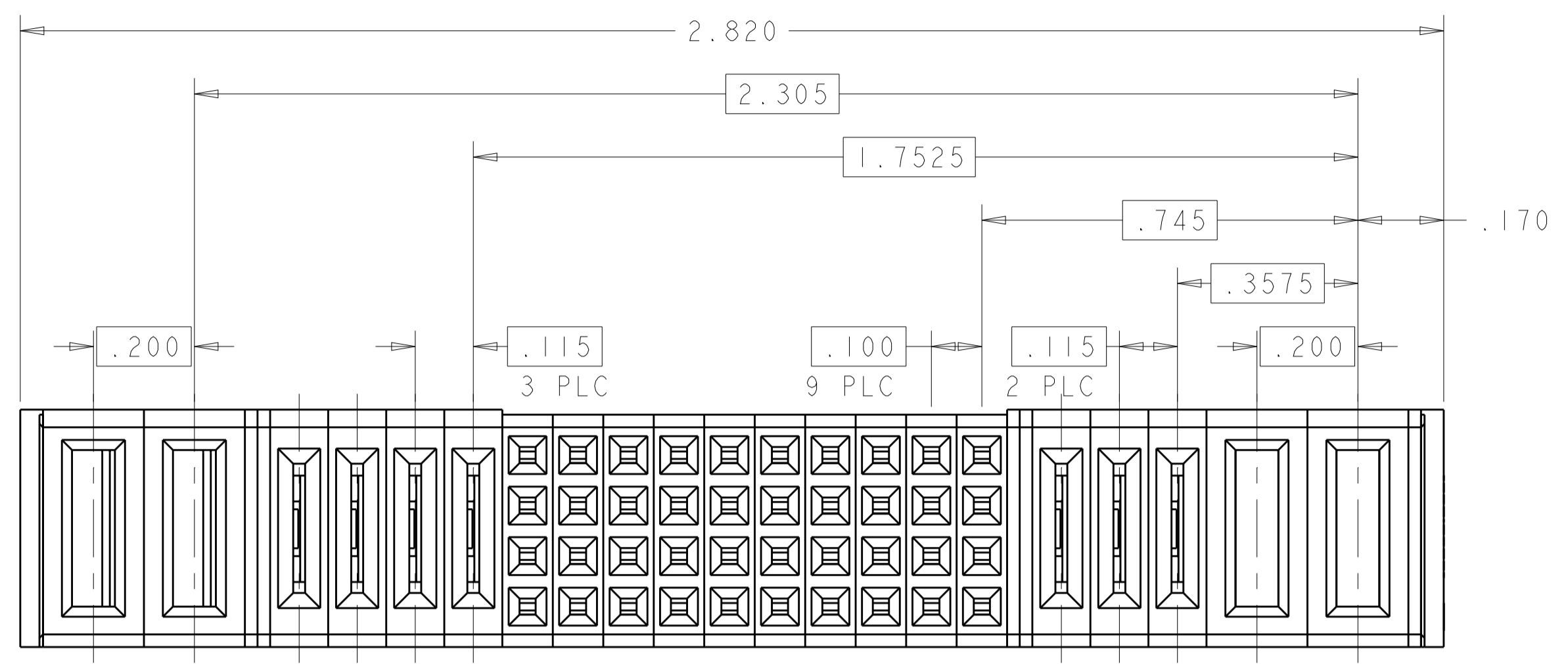


THIS DRAWING IS A CONTROLLED DOCUMENT. DWN: H.LIU 30APR2008
 CHK: S.ZHAO 30APR2008

DIMENSIONS: INCHES	TOLERANCES UNLESS OTHERWISE SPECIFIED:	APVD: S.YAO	NAME: S.YAO
0 PLC ±.01	1 PLC ±.01	PRODUCT SPEC: 108-2292	PRODUCT SPEC: 108-2292
2 PLC ±.01	3 PLC ±.005	APPLICATION SPEC: 114-13038	APPLICATION SPEC: 114-13038
4 PLC ±.0020	ANGLES ±.2°	WEIGHT: -	WEIGHT: -
MATERIAL: -	FINISH: -	SIZE: A1	CAGE CODE: 100779
CUSTOMER DRAWING		SCALE: 4:1	SHEET 7 OF 10

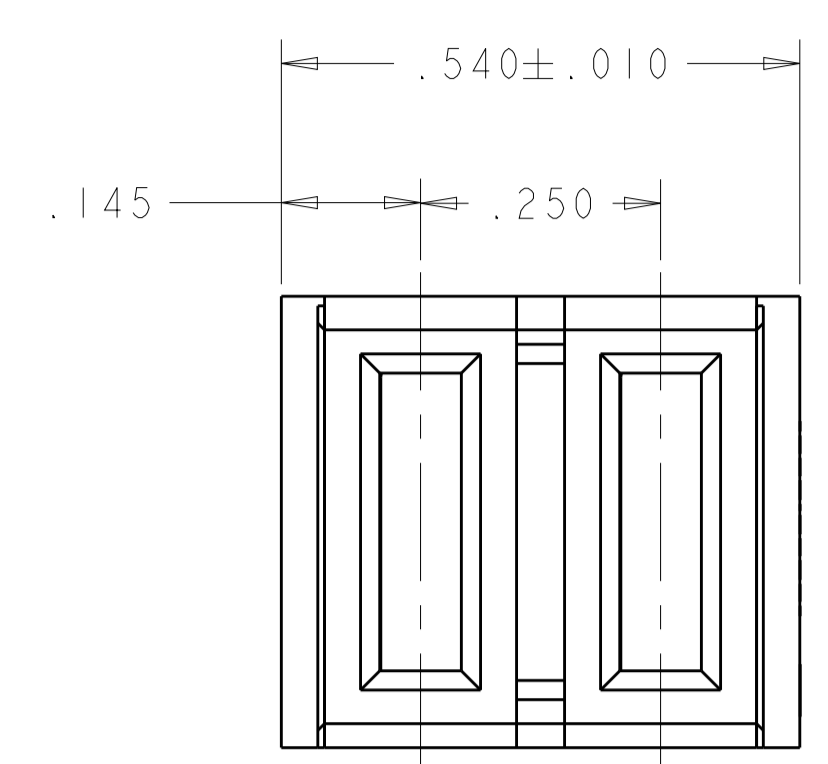
TE Connectivity
 VERTICAL RECEPTACLE ASSEMBLY
 NO GUIDES
 MULTI-BEAM XLE

LOC		DIST		REVISIONS			
ES	00	P	LTN	DESCRIPTION	DATE	DWN	APVD
				SEE SHEET 1			

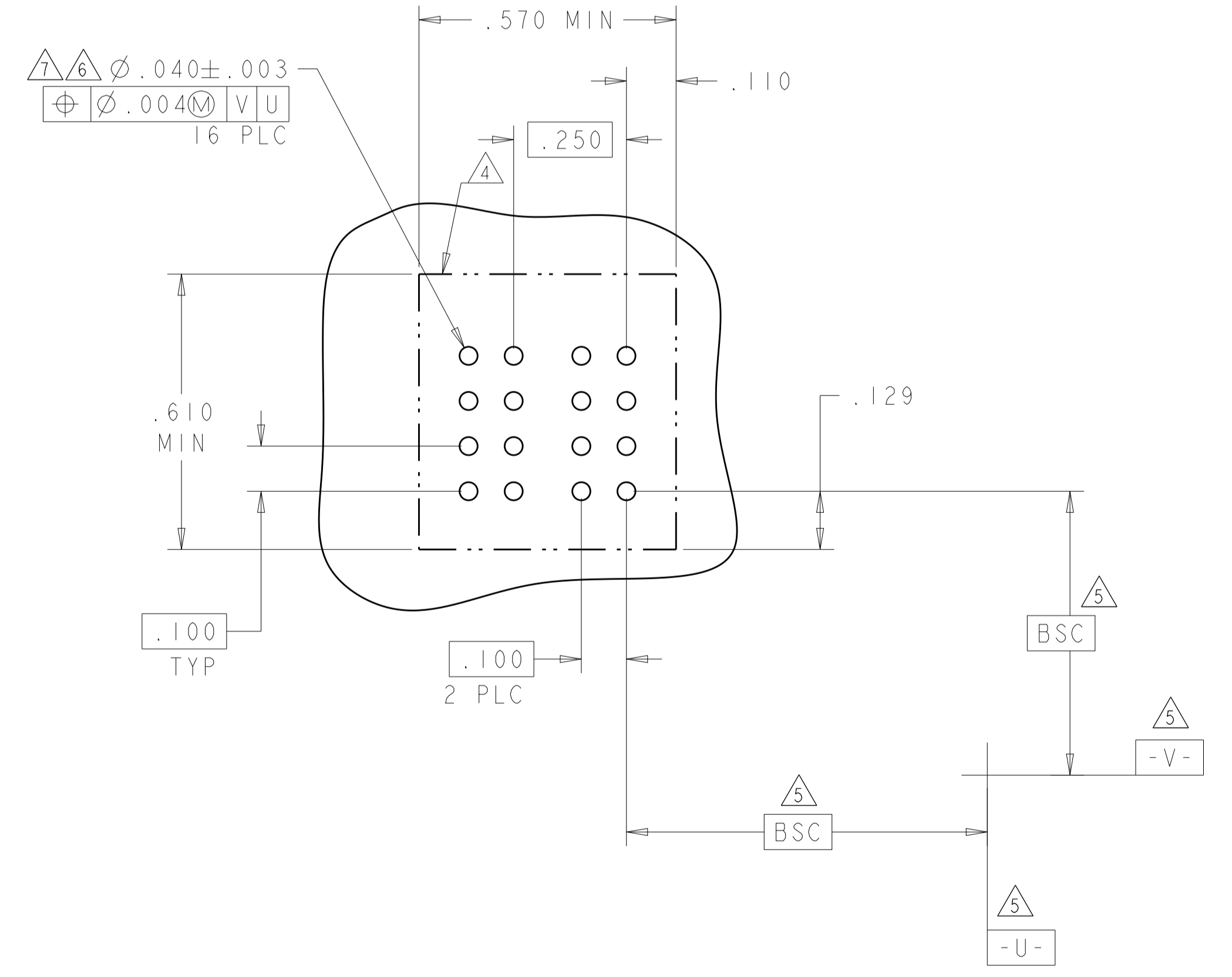
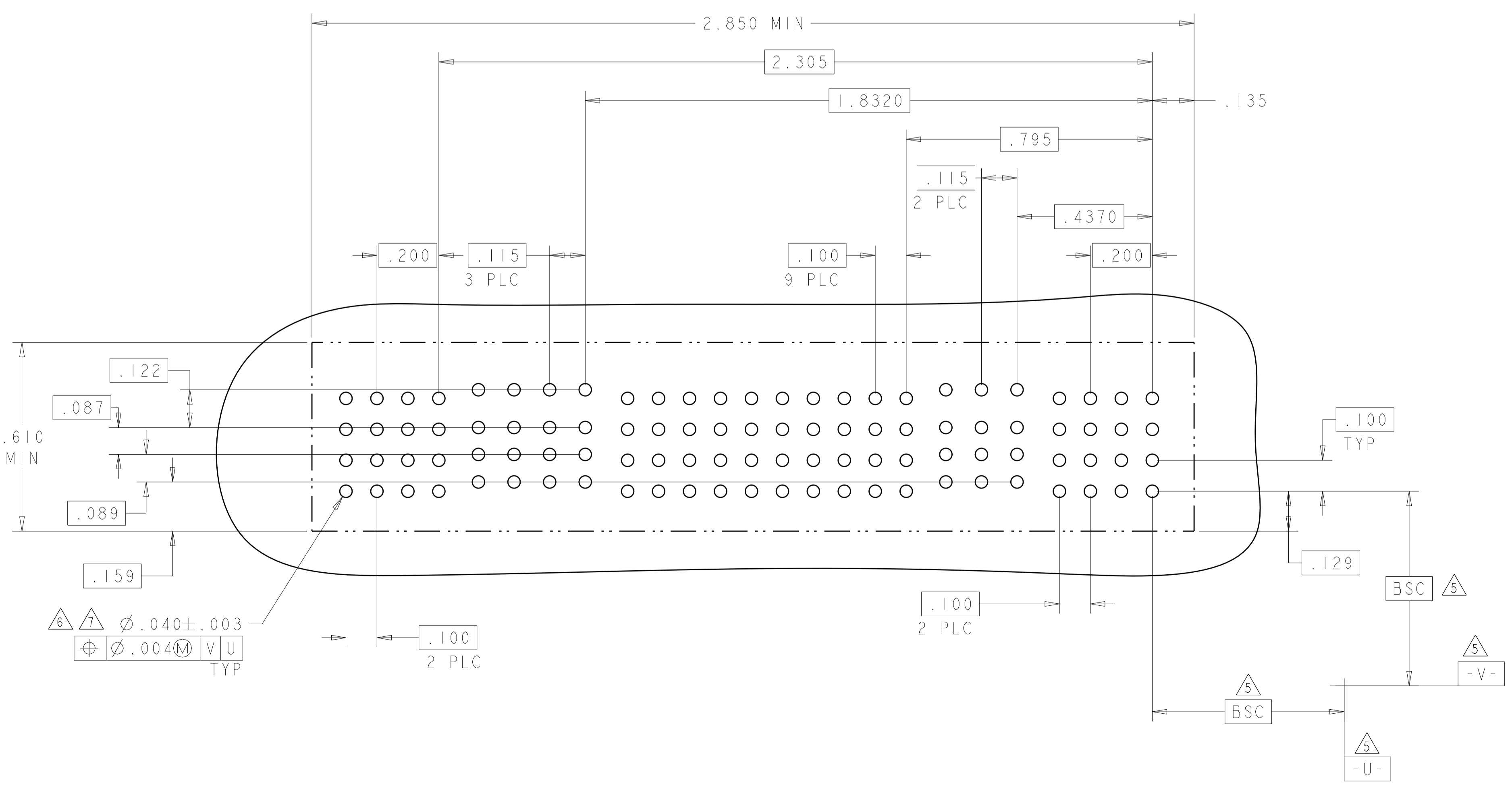


PART NUMBER	ROWS	POWER				SIGNAL										POWER							
		P4	P3	LP7	LP6	LP5	LP4	10	9	8	7	6	5	4	3	2	1	LP3	LP2	LP1	P2	P1	
1-6450869-6	D							AP	AP	AP	AP	AP	AP	AP	AP	AP	AP						
	C	GS	GS	LSI	LSI	LSI	LSI	AP	AP	AP	AP	AP	AP	AP	AP	AP	AP	LSI	LSI	LSI	GS	GS	
	B							AP	AP	AP	AP	AP	AP	AP	AP	AP	AP						
	A							AP	AP	AP	AP	AP	AP	AP	AP	AP	AP						

2HDP + 3LP + 40S + 4LP + 2HDP



PART NUMBER	POWER	
	P2	P1
1-6450869-7	GS	GS
2P		

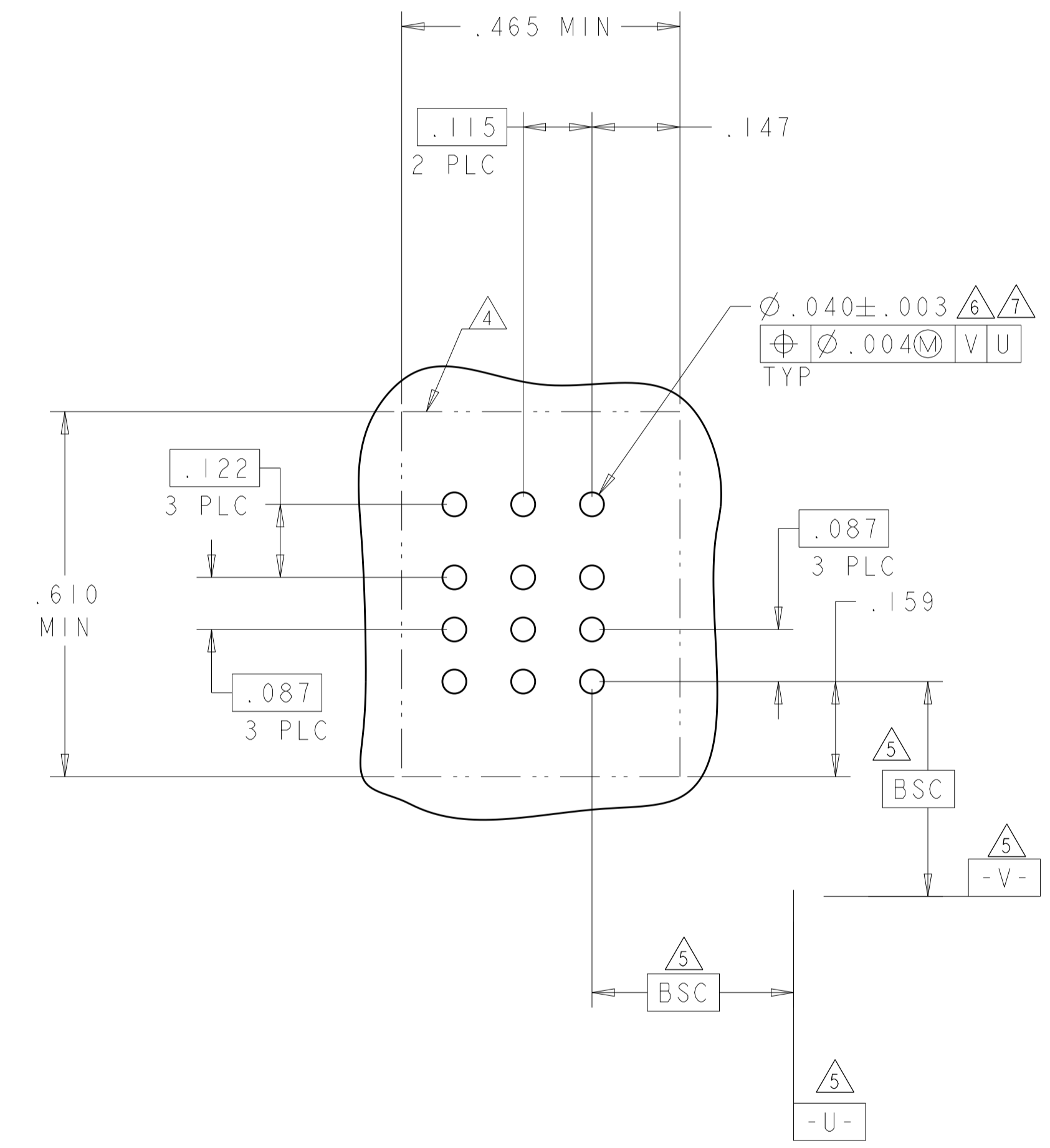
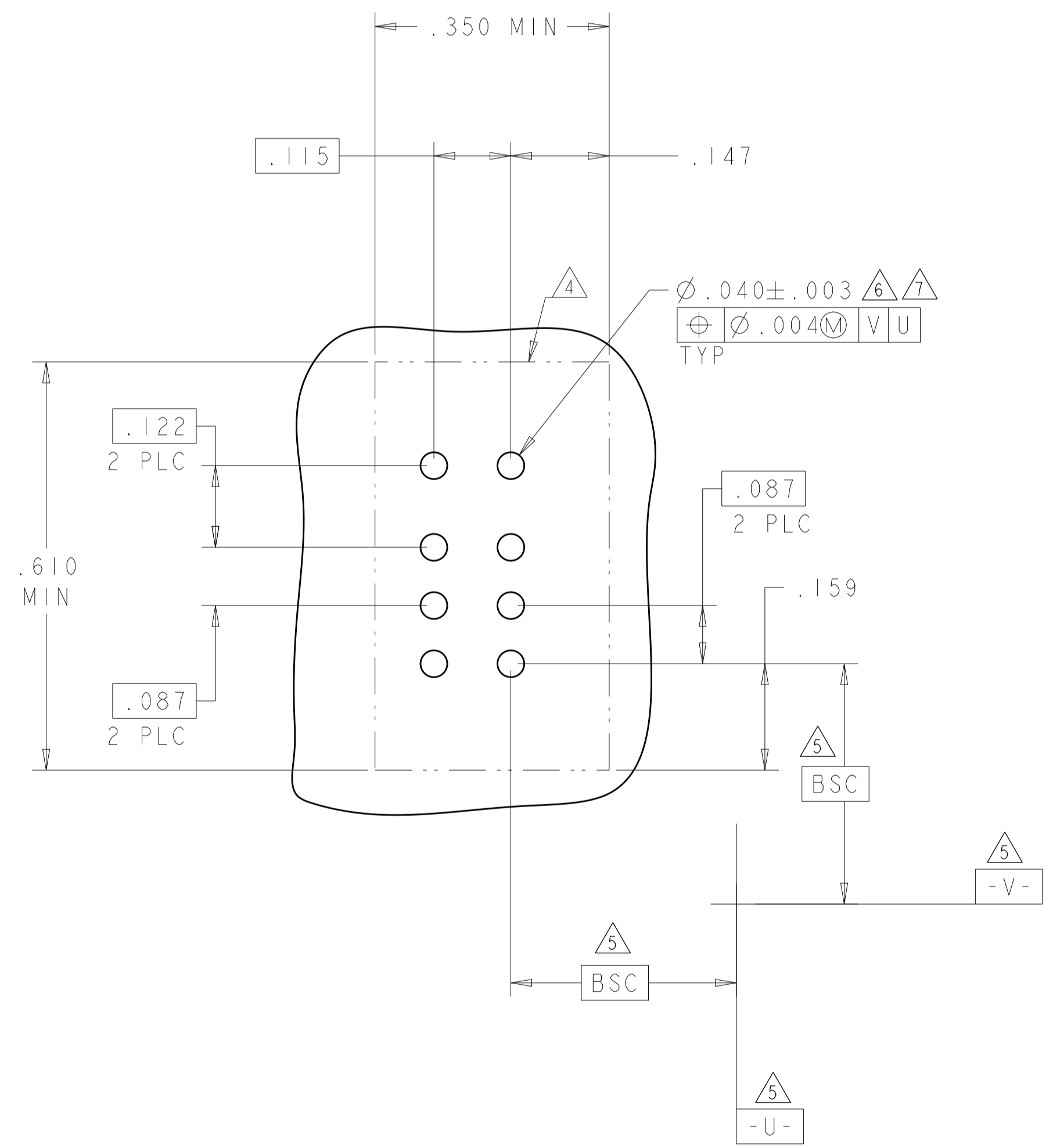


THIS DRAWING IS A CONTROLLED DOCUMENT.		DWN: H.LIU 30APR2008	TE Connectivity
DIMENSIONS: INCHES		CHK: S.ZHAO 30APR2008	
TOLERANCES UNLESS OTHERWISE SPECIFIED:		APVD: S.YAO	NAME: VERTICAL RECEPTACLE ASSEMBLY
0 PLC ±. 1 PLC ±.01 2 PLC ±.01 3 PLC ±.005 4 PLC ±.0020 ANGLES ±.020		PRODUCT SPEC: 108-2292	NO GUIDES
MATERIAL: FINISH:		APPLICATION SPEC: 114-13038	MULTI-BEAM XLE
		WEIGHT:	SIZE: CAGE CODE: DRAWING NO: A100779
		CUSTOMER DRAWING	SCALE: 4:1 SHEET 9 OF 10 REV: E1

LOC	DIST	REVISIONS			
P	LTN	DESCRIPTION	DATE	DWN	APVD
ES	00	SEE SHEET 1	-	-	-

PART NUMBER	LOW POWER	
	LP2	LP1
2-6450869-2	LS1	LS1
2LP		

PART NUMBER	LOW POWER		
	LP3	LP2	LP1
2-6450869-3	LS1	LS1	LS1
3 LP			



THIS DRAWING IS A CONTROLLED DOCUMENT.		DWN: H.LIU 30APR2008	
DIMENSIONS: INCHES		CHK: S.ZHAO 30APR2008	
TOLERANCES UNLESS OTHERWISE SPECIFIED:		APVD: S.YAO	NAME: VERTICAL RECEPTACLE ASSEMBLY
0 PLC ±.01	1 PLC ±.01	PRODUCT SPEC: 108-2292	NO GUIDES
2 PLC ±.005	3 PLC ±.005	APPLICATION SPEC: 114-13038	MULTI-BEAM XLE
4 PLC ±.0020	ANGLES ±.2°	SIZE: A1	CAGE CODE: 6450869
MATERIAL: -	FINISH: -	WEIGHT: -	RESTRICTED TO: -
CUSTOMER DRAWING		SCALE: 4:1	SHEET 10 OF 10