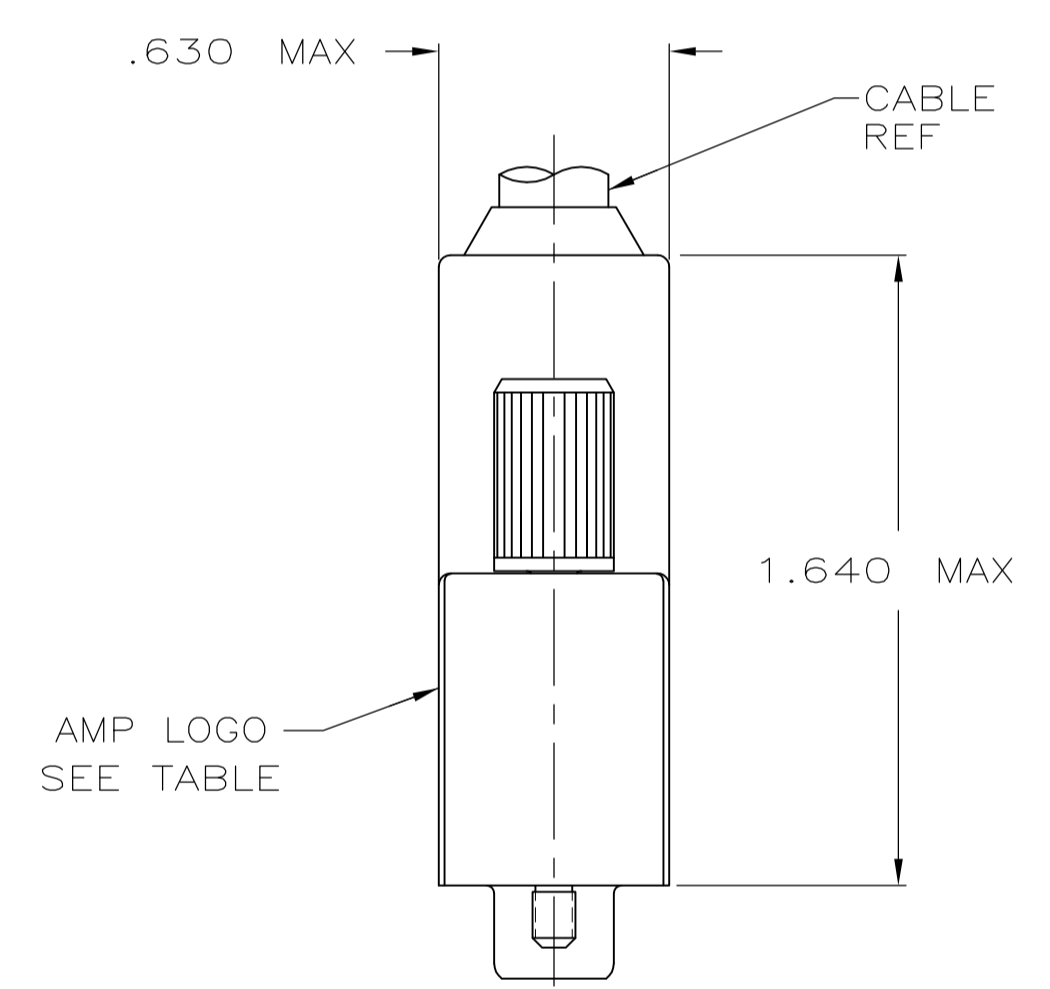
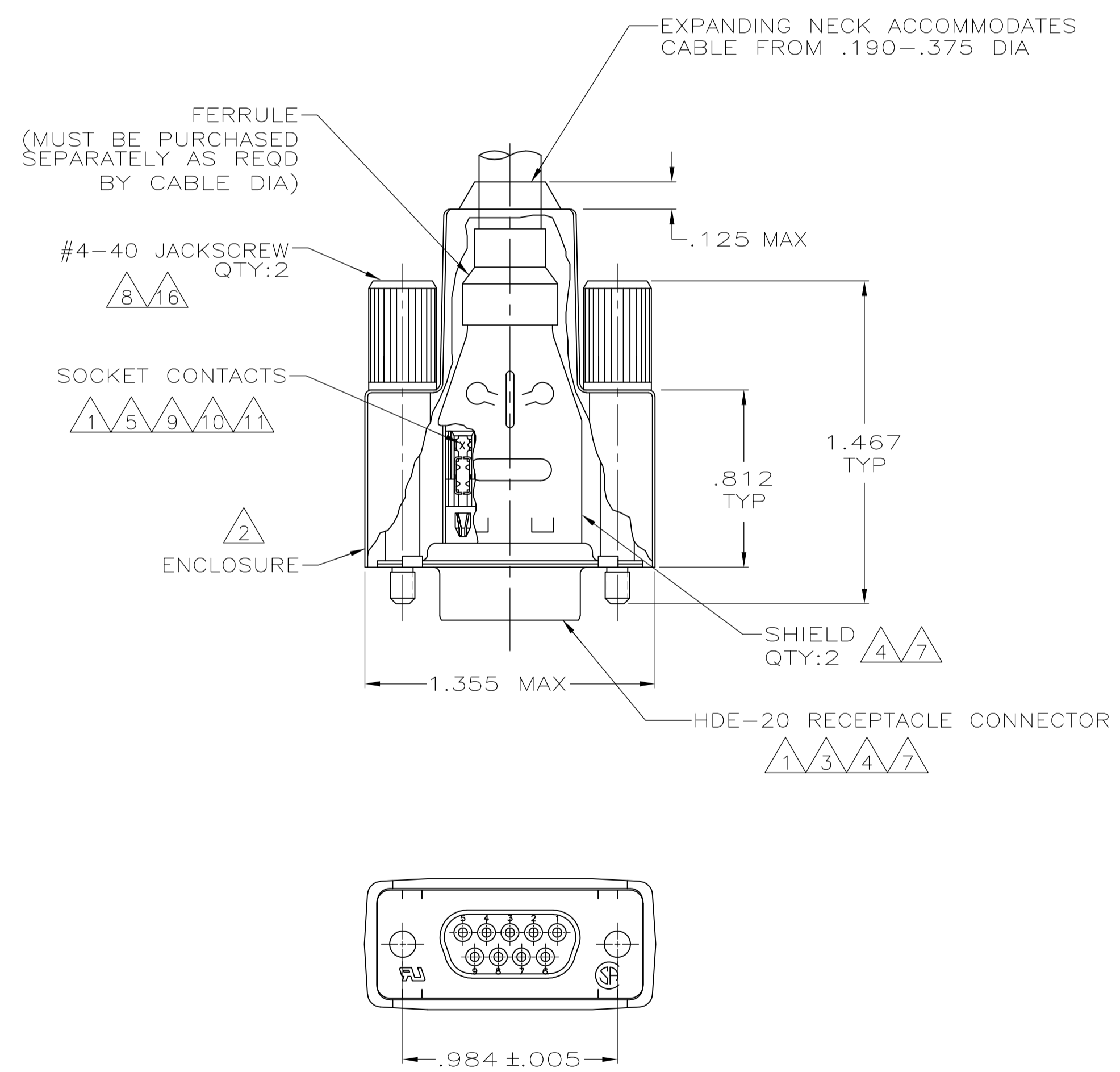


LOC		DIST		REVISIONS			
GP	00	REV	DATE	BY	APPV	DATE	BY
U	REVISED PER	ECO-13-017159	19DEC2013	KH	SB		



- 1 RECEPTACLE CONNECTOR FULLY LOADED WITH CONTACTS. ALL OTHER PARTS ARE SHIPPED UNASSEMBLED. EACH PART INDIVIDUALLY BULK PACKED.
- 2 FLAME RETARDANT 94V-0 RATED, POLYOLEFIN OR PVC, BLACK.
- 3 FLAME RETARDANT 94V-0 RATED, GLASS-FILLED, NYLON OR POLYESTER, BLACK.
- 4 STEEL PER ASTM A109.
- 5 PHOSPHOR BRONZE PER QQ-B-750.
- 6 GOLD PLATING PER MIL-G-45204, NICKEL PLATING PER QQ-N-290, TIN PLATING PER MIL-T-10727, ZINC PLATING PER B633, TYPE II, CLASS SCI, BLACK CHROMATE.
- 7 TIN PLATED.
- 8 ZINC NICKEL, TRIVALENT BLACK.
- 9 PLATED WITH GOLD FLASH ON MATING END FOR LENGTH OF .100 MIN, .000100-.000200 TIN OR TIN LEAD ON TERMINATION END, ALL OVER .000030 MIN NICKEL ON ENTIRE CONTACT.
- 10 PLATED WITH .000030 MIN GOLD FOR LENGTH OF .100 MIN FROM MATING END, WITH POINT OF MEASUREMENT .050 FROM MATING END OF CONTACT, .000100-.000200 TIN OR TIN LEAD ON TERMINATION END, ALL OVER .000030 MIN NICKEL ON ENTIRE CONTACT.
- 11 NUMBER ON CONTACT INDICATES WIRE RANGE.
- 12 OBSOLETE PART NUMBER.
- 13 SEE RESTRICTED CUSTOMER DRAWING 1-747943-3.
- 14 PLATED WITH .000030 MIN GOLD FOR A LENGTH OF .100 MIN FROM MATING END, .000100-.000200 TIN ON TERMINATION END, ALL OVER .000050 MIN NICKEL UNDERPLATE ON ENTIRE CONTACT.
- 15 PLATED WITH GOLD FLASH FOR A LENGTH OF .100 MIN FROM MATING END, .000100-.000200 TIN ON TERMINATION END, ALL OVER .000030 MIN NICKEL UNDERPLATE ON ENTIRE CONTACT.
- 16 CARBON STEEL, C1022.

REV	DATE	BY	APPV	DESCRIPTION
15	11-17-04	J. GERACE	M. WALMSLEY	1-747943-7
14	11-17-04	J. GERACE	M. WALMSLEY	1-747943-6
14	11-17-04	J. GERACE	M. WALMSLEY	1-747943-5
9	11-17-04	J. GERACE	M. WALMSLEY	1-747943-2
10	11-17-04	J. GERACE	M. WALMSLEY	747943-9
9	11-17-04	J. GERACE	M. WALMSLEY	747943-6
10	11-17-04	J. GERACE	M. WALMSLEY	747943-3

THIS DRAWING IS A CONTROLLED DOCUMENT.

DIMENSIONS: INCHES

TOLERANCES UNLESS OTHERWISE SPECIFIED:

0. PLC	± .005
1. PLC	± .002
2. PLC	± .001
3. PLC	± .0005
4. PLC	± .0002
ANGLES	± .005

MATERIAL: 3 4 5 6 7 8

FINISH: 6 7 8

CONTACTS: SEE TABLE

APPROVED: L. VARELA - DOCKS

DATE: 11-17-04

NAME: M. WALMSLEY

DATE: 11-17-04

PRODUCT SPEC: 10B-40011 & 10B-40030

APPLICATION SPEC: 114-40002

SIZE: A1

SCALE: 1:1

SHEET: 1 OF 1

REV: U

CUSTOMER DRAWING

SCALE: 1:1

SHEET: 1 OF 1

REV: U