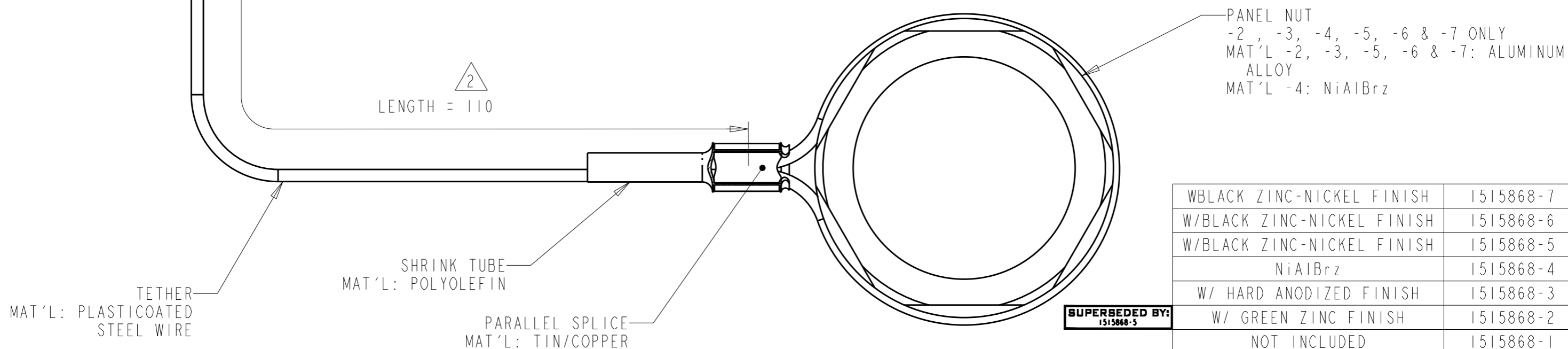
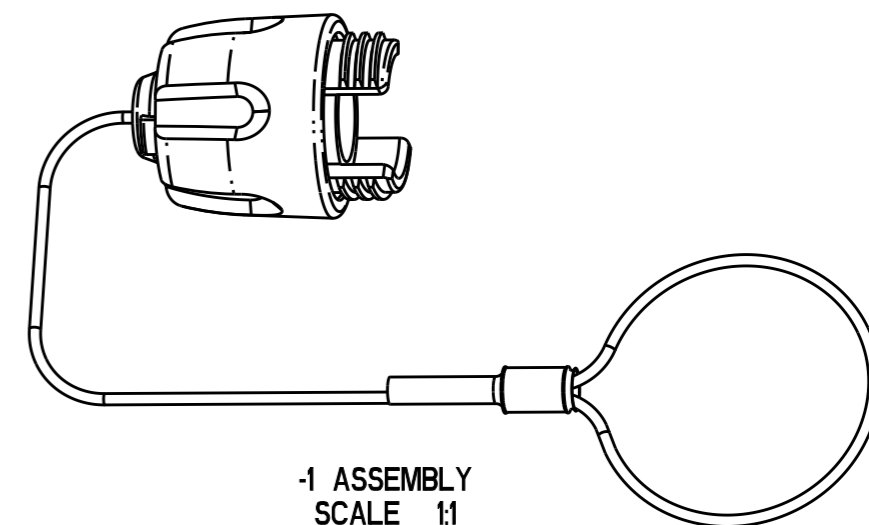
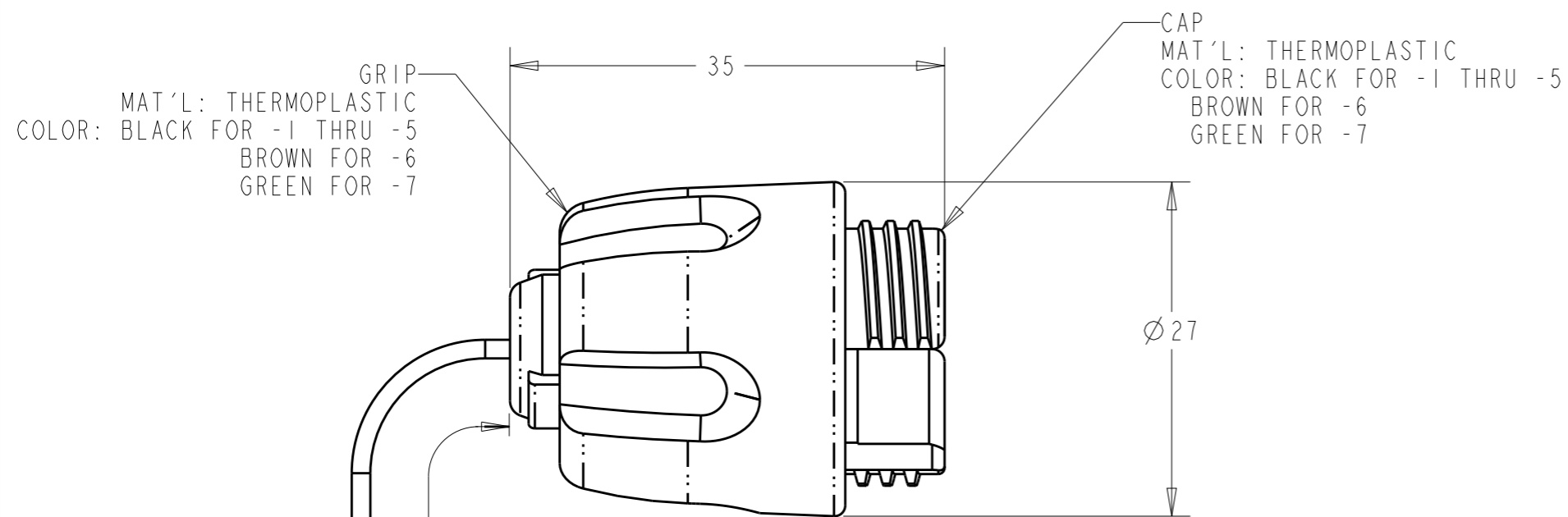


REVISIONS

P	LTR	DESCRIPTION	DATE	DWN	APVD
	H	ECR-15-011044	13AUG2015	KG	DW

1. DIMENSIONS ARE FOR REFERENCE ONLY.

△ DIMENSIONED TO CENTER OF PARALLEL SPLICE.



-3, -4, -5, -6 & -7 ASSEMBLY

W/BLACK ZINC-NICKEL FINISH	1515868-7
W/BLACK ZINC-NICKEL FINISH	1515868-6
W/BLACK ZINC-NICKEL FINISH	1515868-5
NiAlBrz	1515868-4
W/ HARD ANODIZED FINISH	1515868-3
W/ GREEN ZINC FINISH	1515868-2
NOT INCLUDED	1515868-1
PANEL NUT OPTION	PART NUMBER

SUPERSEDED BY:
1515868-5

THIS DRAWING IS A CONTROLLED DOCUMENT.

DWN K. GLATFELTER 14OCT2002
CHK D. WERTMAN 15OCT2002
APVD D. WERTMAN 15OCT2002

NAME PROTECTIVE CAP FOR BULKHEAD PRO BEAM JR.

SIZE A3 CAGE CODE 00779 DRAWING NO. 1515868 RESTRICTED TO -

MATERIAL AS LISTED FINISH - WEIGHT -

Customer Drawing SCALE 1:1 SHEET 1 OF 1 REV H

TE Connectivity

DIMENSIONS:	TOLERANCES UNLESS OTHERWISE SPECIFIED:
mm	
0 PLC	±-
1 PLC	±-
2 PLC	±-
3 PLC	±-
4 PLC	±-
ANGLES	±-
MATERIAL AS LISTED	FINISH -
-	-