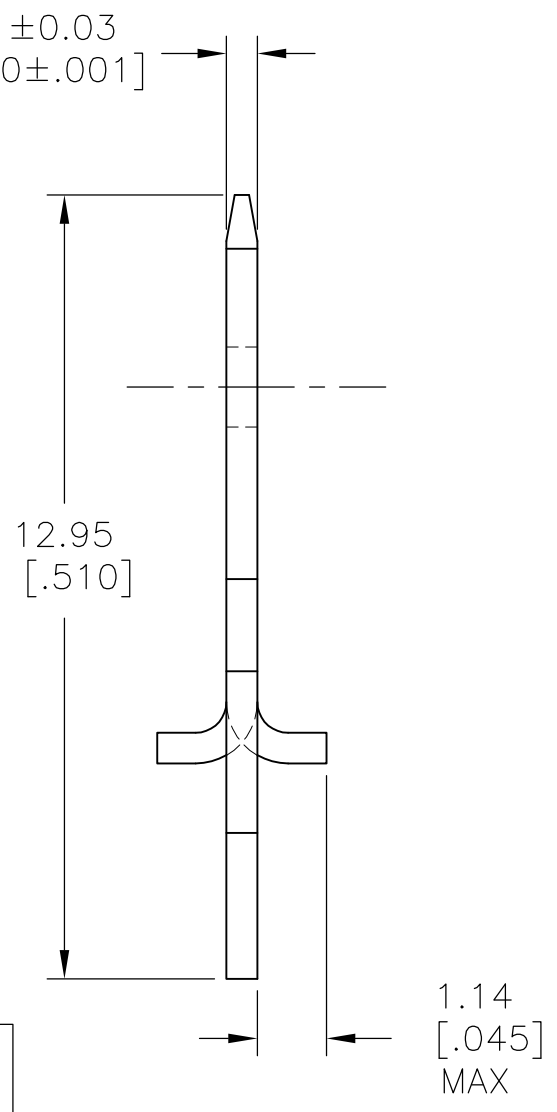
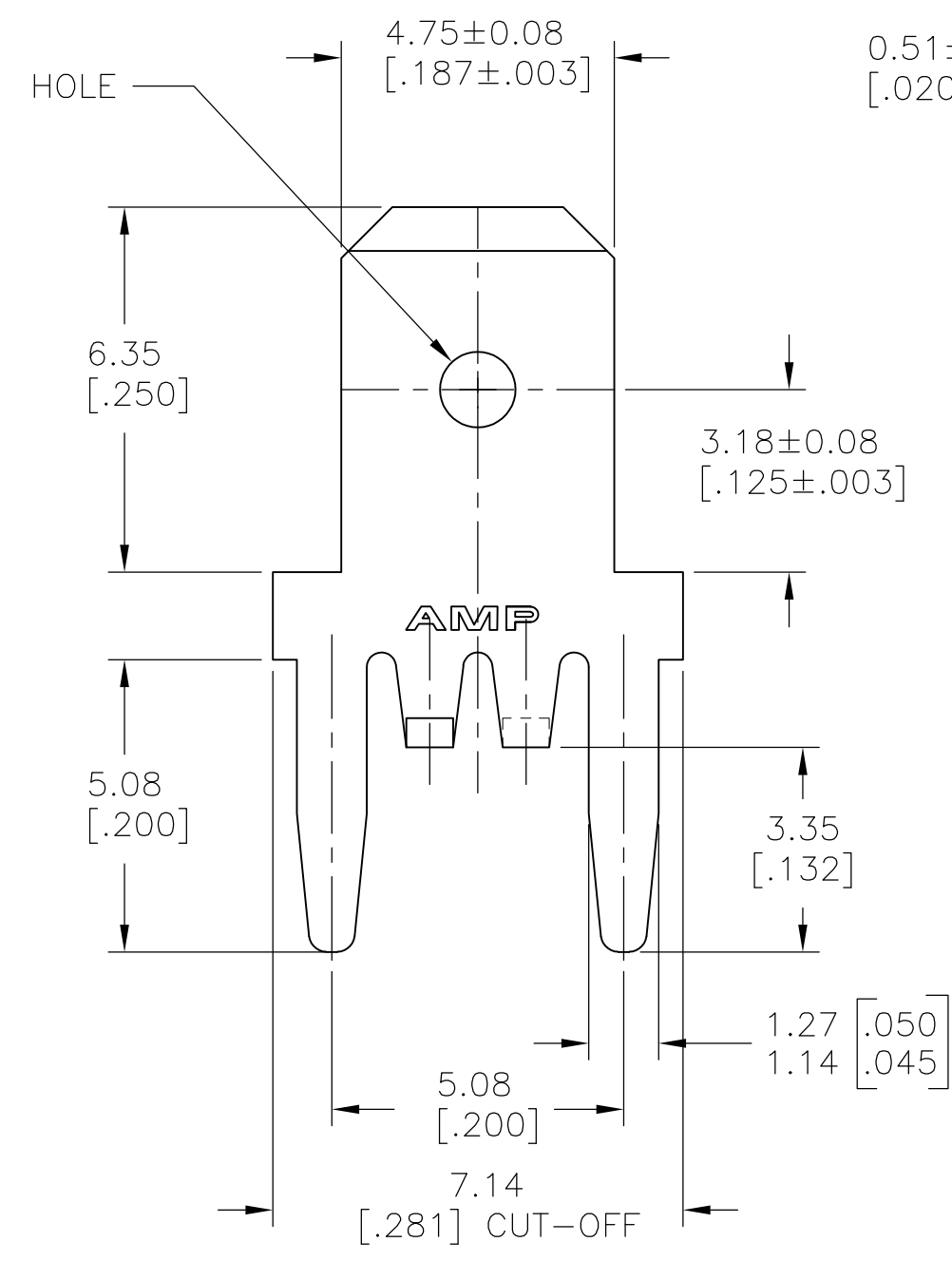
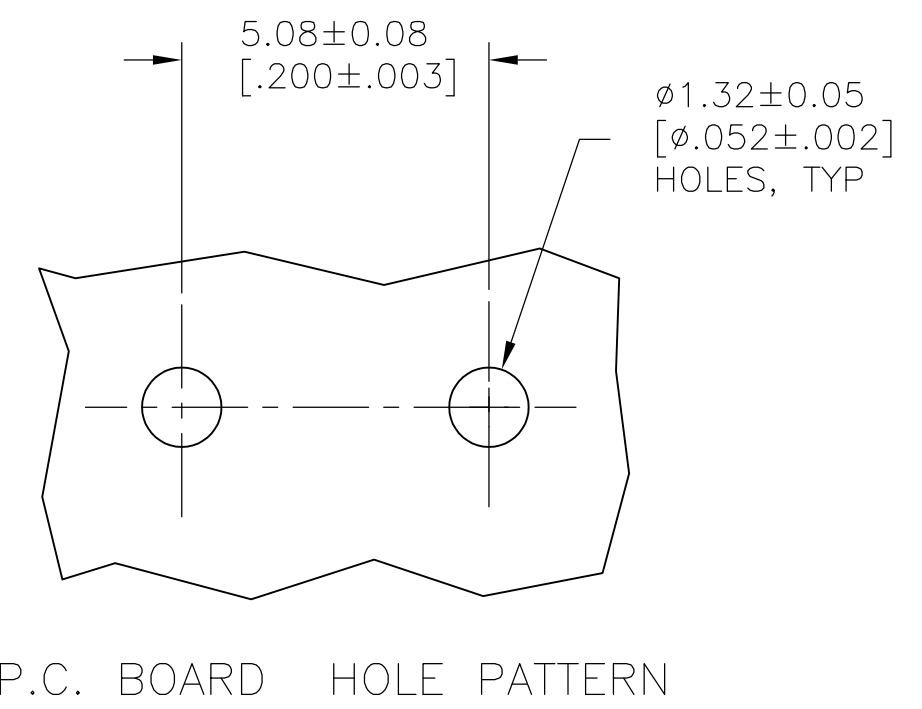


THIS DRAWING IS UNPUBLISHED. RELEASED FOR PUBLICATION
 © COPYRIGHT - By - ALL RIGHTS RESERVED.

LOC	DIST	REVISIONS			
P	LTR	DESCRIPTION	DATE	DWN	APVD
AF	50	B1	REVISED PER ECO-15-010458	22JUL15	JR DH



1 CONTINUOUS STRIP ON REELS, PITCH IS 7.14±0.076 [.281±.003].
 2 TIN PLATE 0.00381 [.000150] MIN OVER 0.00254 [.000100] MIN THK COPPER.



1742362-1
 PART NO.

THIS DRAWING IS A CONTROLLED DOCUMENT.		DWN	JR RUTH	27SEP05	STE TE Connectivity		
DIMENSIONS: mm [INCHES]		CHK	MS FEHER	27SEP05			
TOLERANCES UNLESS OTHERWISE SPECIFIED:		APVD	K RANDOLPH	27SEP05	NAME		
0 PLC ± -		PRODUCT SPEC			TAB, FASTON, P.C.BOARD		
1 PLC ± -		APPLICATION SPEC			4.75 [.187]		
2 PLC ± 0.25 [.010]		SIZE	A3	CAGE CODE	00779	DRAWING NO	C-1742362
3 PLC ± -		WEIGHT			RESTRICTED TO		
4 PLC ± -		CUSTOMER DRAWING			SCALE 8:1		
ANGLES ± -		FINISH			SHEET 1 OF 1		
MATERIAL		BRASS			REV B1		
FINISH		2					