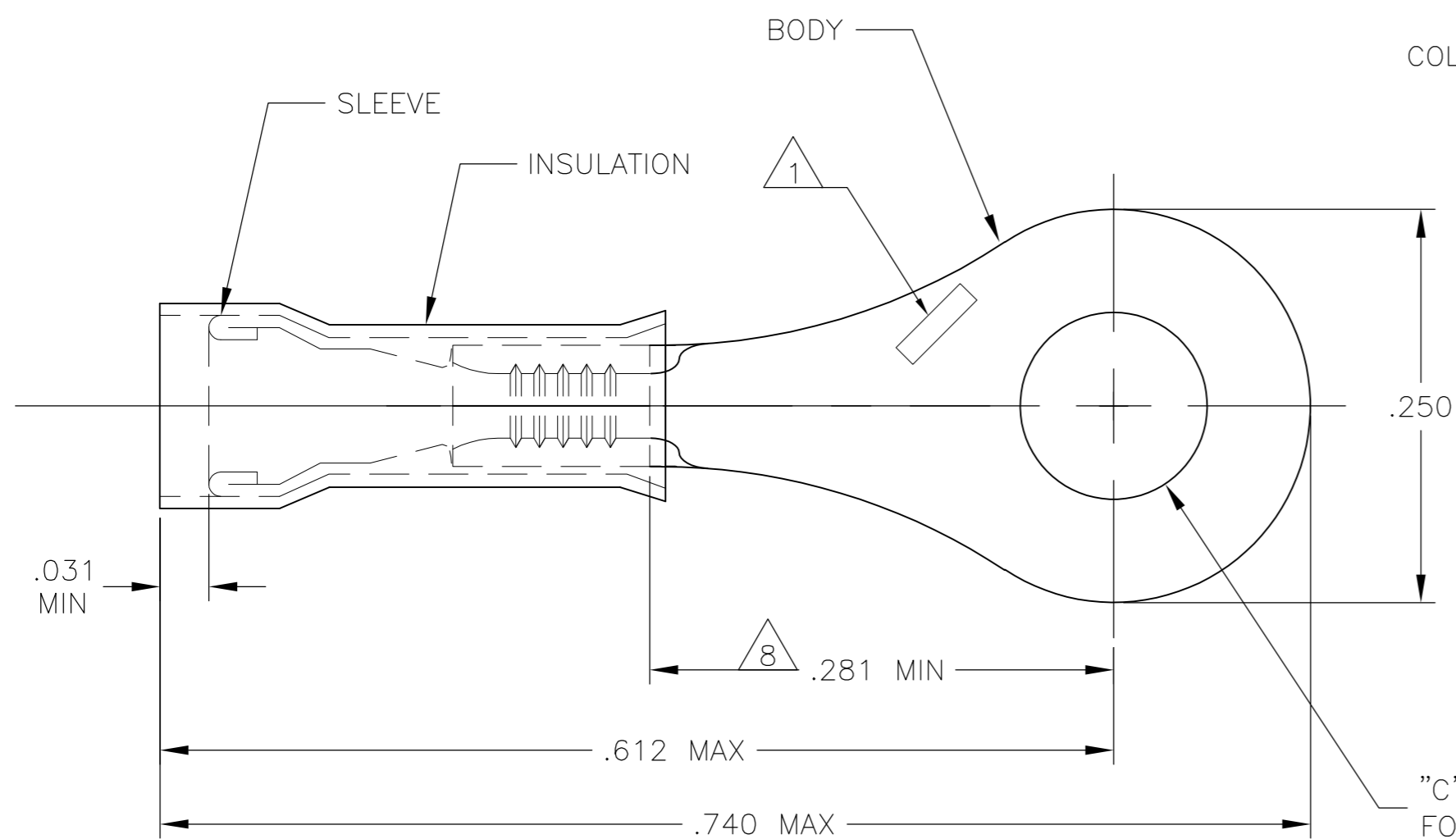


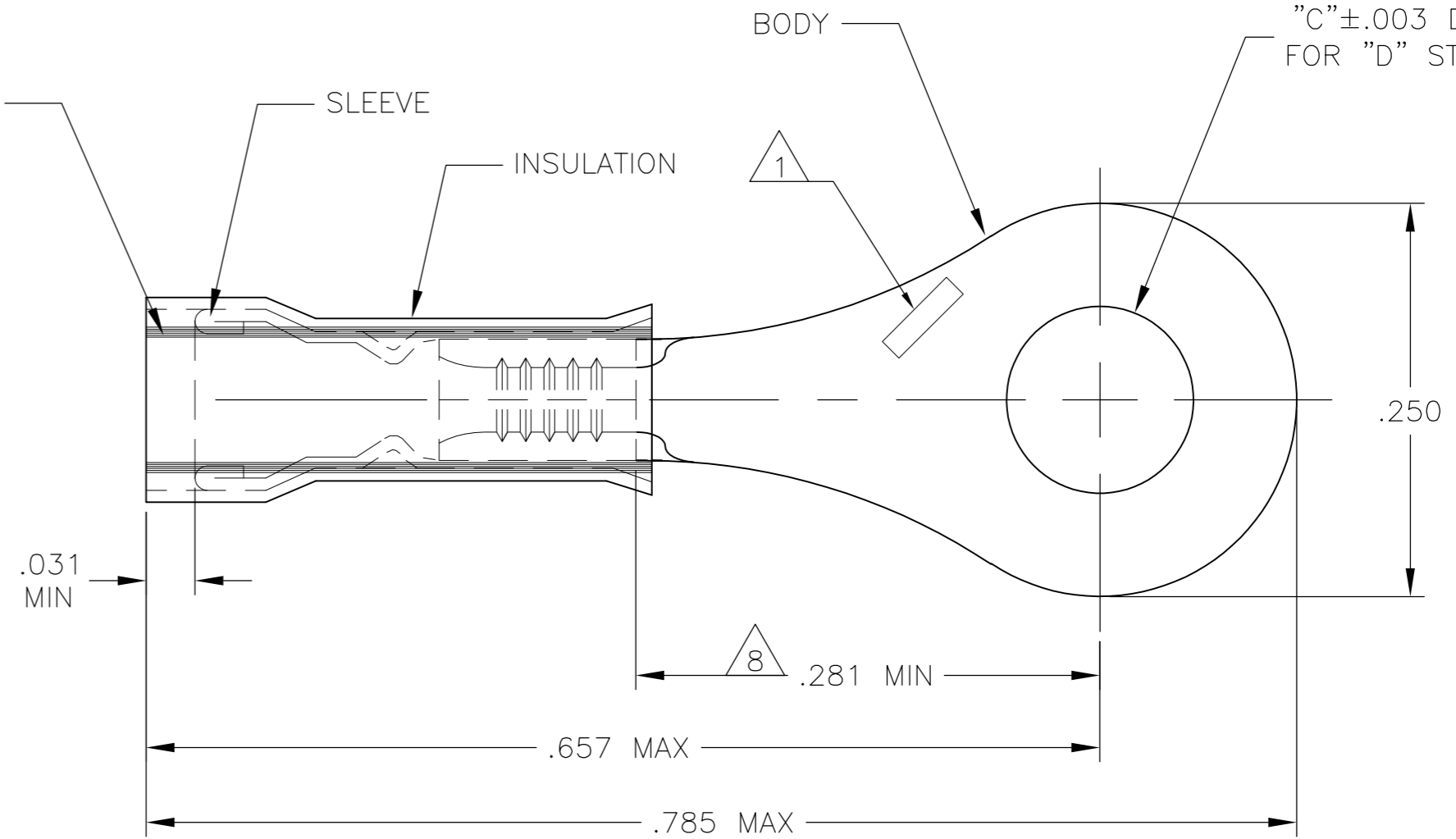
THIS DRAWING IS UNPUBLISHED. RELEASED FOR PUBLICATION
 © COPYRIGHT - By - ALL RIGHTS RESERVED.

LOC	DIST	REVISIONS			
P	LTR	DESCRIPTION	DATE	DWN	APVD
G	14	REVISED PER ECO-14-015277	10FEB2015	NK	DR



STYLE A

COLOR CODE STRIPE
 SEE TABLE
 3 EQUALLY
 SPACED STRIPES



STYLE B
INSULATION RESTRICTING

- 1 STAMP "AMP", APPROX AS SHOWN
- 2 WIRE INSULATION DIA: SEE TABLE
- 3 TONGUE MATERIAL THK: .018±.002
- 4 BODY & SLEEVE: CU PER ASTM B152
INSULATION: NYLON PER ASTM D4066, COLOR - YELLOW
- 5 BODY: TIN PLATE .000100 MIN EXT THK
PER ASTM B545
- 6 SLEEVE: TIN PLATE .000100 MIN THK PER
ASTM B545
- 7 SLEEVE: NICKEL PLATE PER QQ-N-290
- 8 APPLIES FROM EDGE OF METAL WIRE BARREL
TO CENTER OF STUD HOLE.
- 9 MEETS MS25036-145, CLASS 2
- 10 300 VOLTS MAX

QTY	PACKAGE TYPE	STUD SIZE "D"	DIM "C"	WIRE INSUL. DIA	WIRE SIZE	COLOR CODE	STYLE	BODY FINISH	SLEEVE FINISH	MATERIAL	PART NO
100	LOOSE PIECE, BOX	#6	.145	.050-.082	26-22	--	A	6			8-326875-1
500	LOOSE PIECE	#10	.197	.031-.055	24	BLUE	B	7			2-326875-5
500	LOOSE PIECE	#6	.145	.031-.055	24	BLUE	B	7	4		2-326875-4
4000	326875-1 ON TAPE, REEL	#6	.145	.050-.082	26-22	--	A	6			2-326875-1
500	LOOSE PIECE	#6	.145	.050-.082	26-22	--	A	6			326875

THIS DRAWING IS A CONTROLLED DOCUMENT.

DWN	JR RUTH	14JAN10
CHK	TOM MICHIELUTTI	14JAN10
APVD	MIKE PERCHERKE	14JAN10

TE Connectivity

NAME: TERMINAL, NYLON - PIDG - RING TONGUE
WIRE SIZE: 26-22

SIZE	A2	CAGE CODE	00779	DRAWING NO	C-326875	RESTRICTED TO	-
SCALE	10:1	SHEET	1 of 1	REV	Y		

CUSTOMER DRAWING