

LOC	DIST	REVISIONS					
GP	00	P	LTN	DESCRIPTION	DATE	OWN	APP'D
		E1		ADD PART NUMBER WITH TAPE	27JUL2012	TX	AC
		F		REVISED PER ECO-12-021462	10DEC2012	TX	AC
		F1		REVISED PER ECO-13-014600	11OCT2013	PP	SH
		F2		REVISED PER ECO-14-000741	16JAN2014	PP	SH

1. MATERIAL:
 CAGE - 0.25mm THICK NICKEL SILVER ALLOY
 HEATSINK - ALUMINUM
 HEATSINK CLIP - STAINLESS STEEL
 EMI SPRING(S) - COPPER ALLOY

2. FINISH:
 HEATSINK - ELECTROLESS NICKEL
 HEATSINK CLIP - PASSIVATE
 EMI SPRING(S) - 0.8um MIN MATTE TIN OVER 0.8um MIN NICKEL,
 NON-PLATED EDGES PERMISSIBLE.

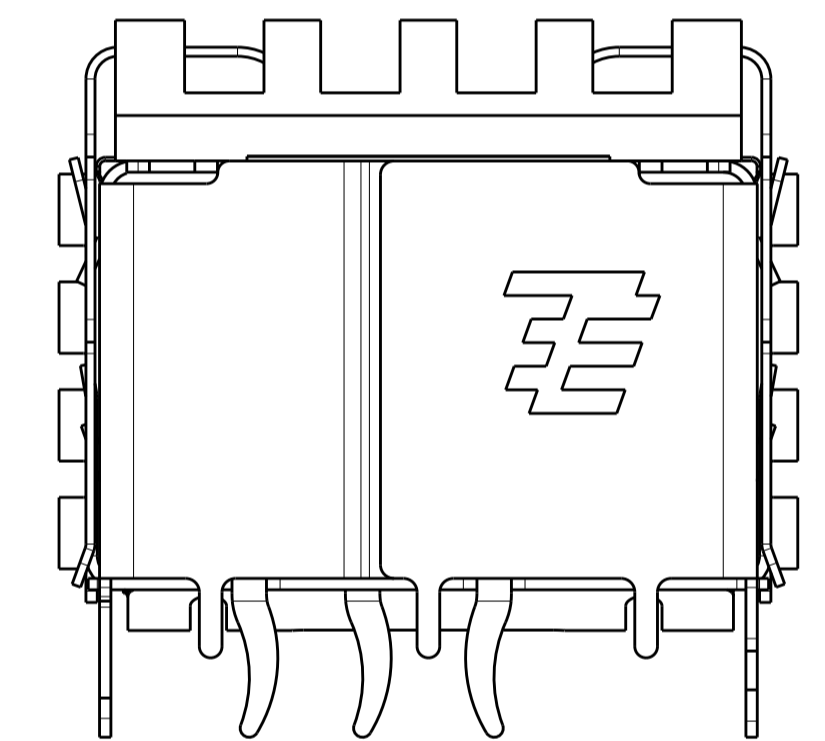
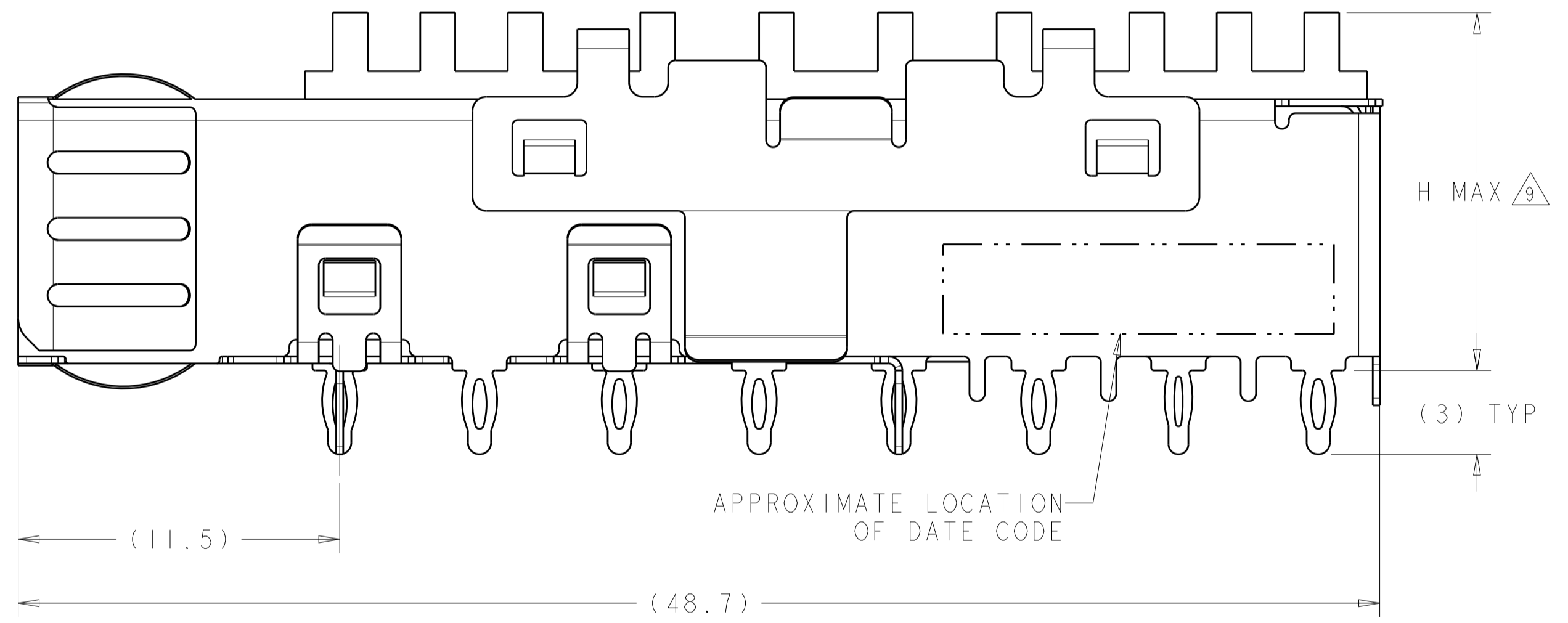
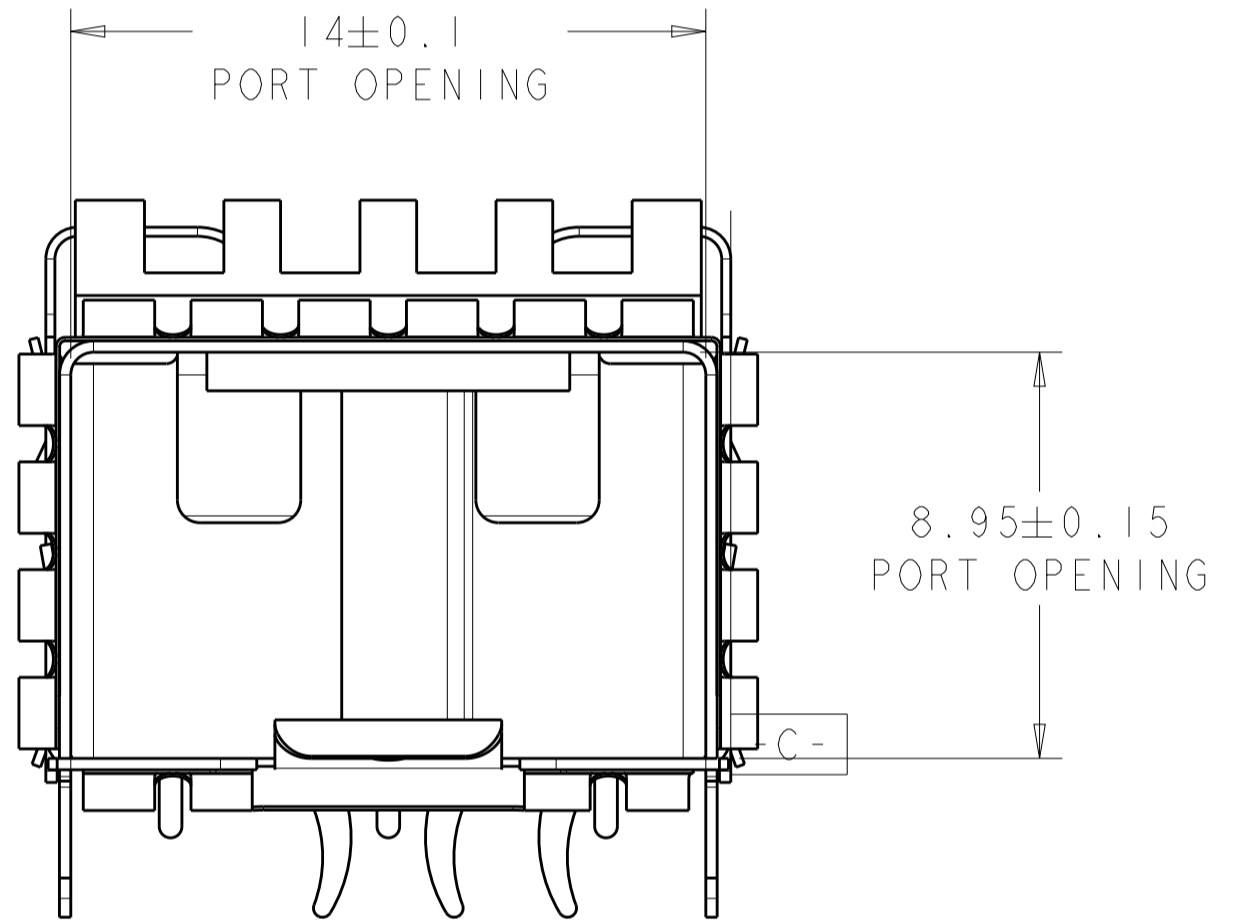
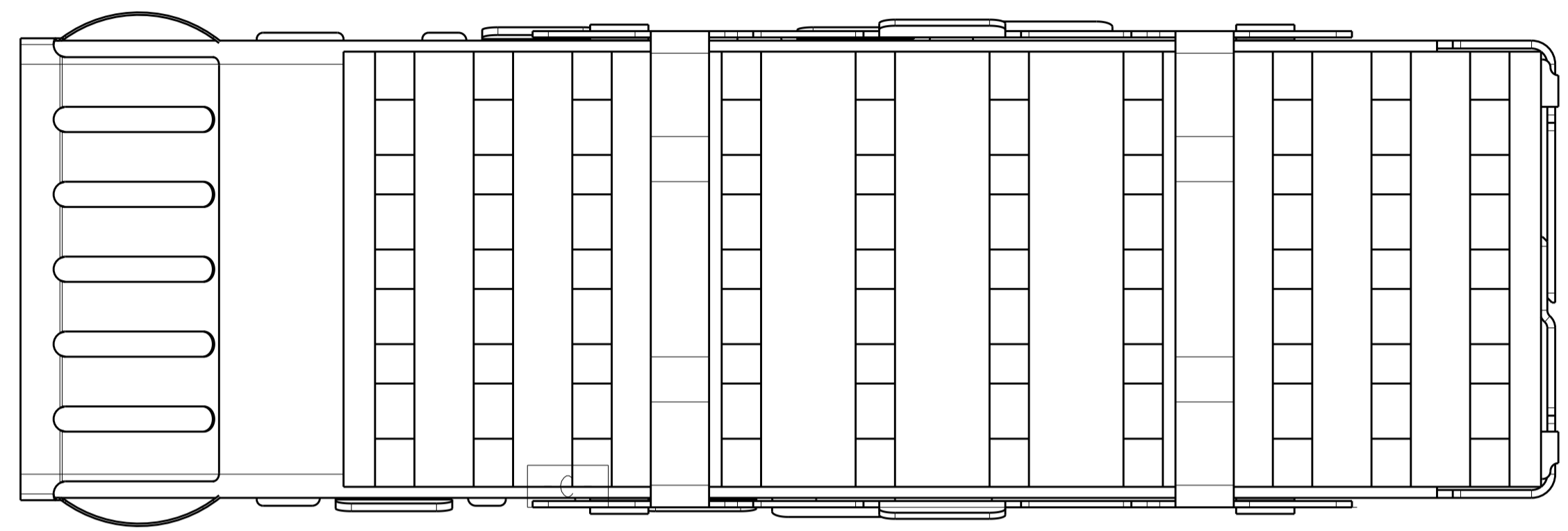
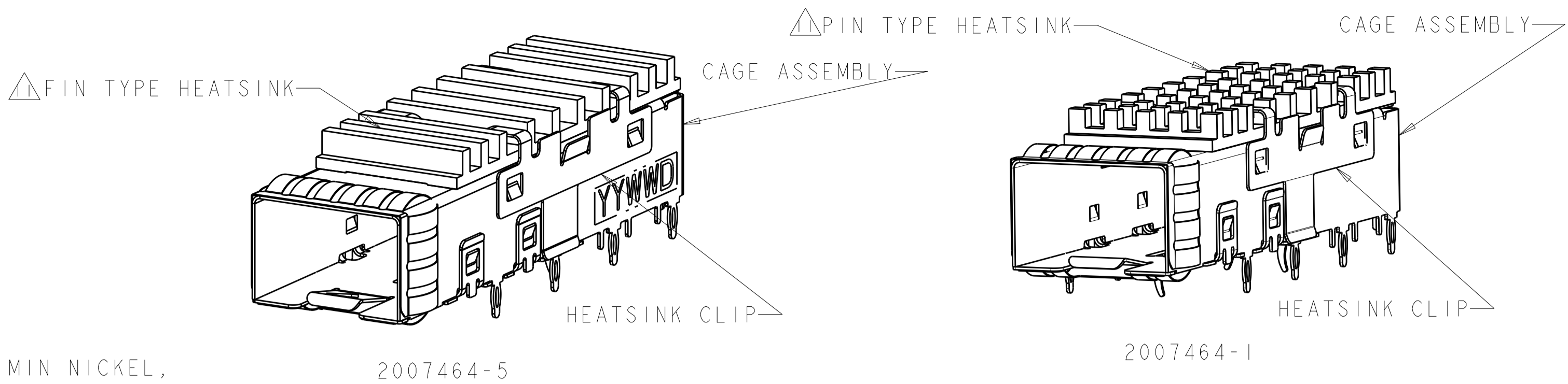
3. MATES WITH SFP MSA COMPLIANT TRANSCEIVERS.

4. PADS AND VIAS CHASSIS GROUND.

5. DATUM AND BASIC DIMENSION ESTABLISHED BY CUSTOMER.

6. MINIMUM PC BOARD THICKNESS:
 SINGLE SIDED = 1.50mm
 DOUBLE SIDED = 3.00mm

7. REFERENCE APPLICATION SPEC. 114-13120, HOLE A, FOR
 RECOMMENDED DRILL HOLE DIAMETER AND PLATING THICKNESS.



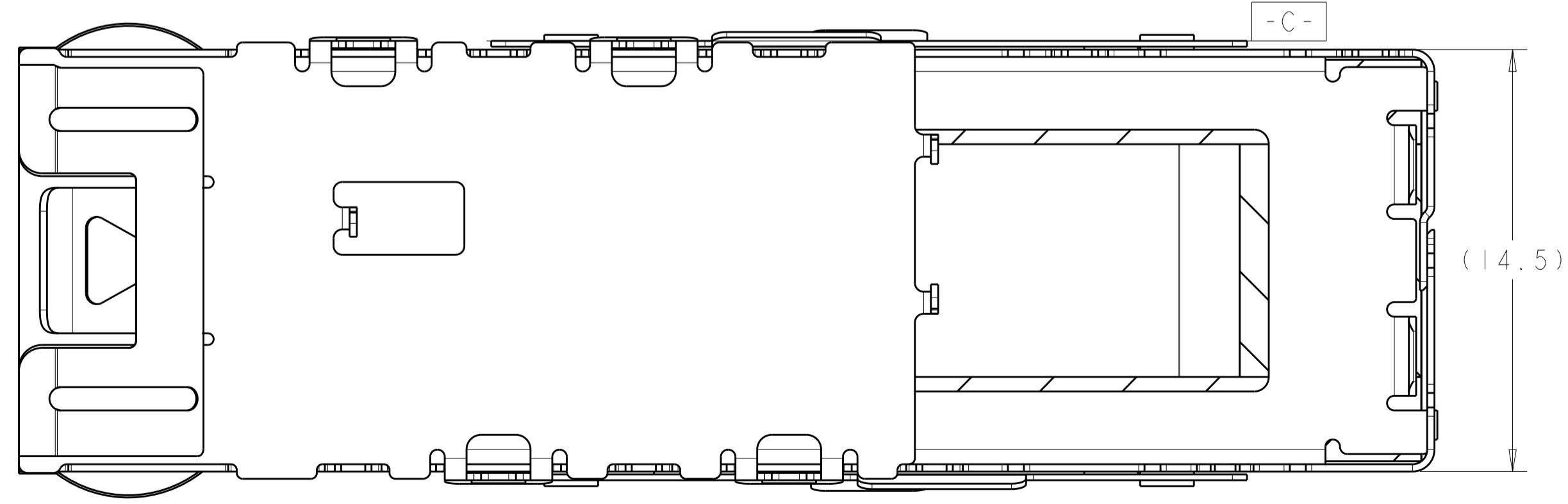
8. REFERENCE APPLICATION SPEC. 114-13120, HOLE C, FOR
 RECOMMENDED DRILL HOLE DIAMETER AND PLATING THICKNESS.

9. DIMENSION APPLIES PRIOR TO INSERTION OF SFP MODULE.

10. CAGE ASSEMBLY, HEATSINK CLIP AND HEATSINK SHIPPED
 ASSEMBLED.

11. HEAT SINK REFERENCE PART NUMBERS:
 1829903-2 = 4.2 HIGH - PCI, PIN TYPE
 1829904-2 = 6.5 HIGH - SAN, PIN TYPE
 1829905-2 = 13.5 HIGH - NETWORKING, PIN TYPE
 2170426-4 = 4.2 HIGH - PCI, PIN TYPE
 2170427-4 = 6.5 HIGH - SAN, PIN TYPE
 2170428-4 = 13.5 HIGH - NETWORKING, PIN TYPE

12. REMOVED



DESCRIPTION	H MAX	APPLICATION	PART NUMBER
W/O INSULATING TAPE	13.5	PCI	2007464-9
W/ INSULATING TAPE	22.8	NETWORKING	2007464-8
W/O INSULATING TAPE	22.8	NETWORKING	2007464-7
W/O INSULATING TAPE	15.8	SAN	2007464-6
W/O INSULATING TAPE	13.5	PCI	2007464-5
W/ INSULATING TAPE	22.8	NETWORKING	2007464-4
W/O INSULATING TAPE	22.8	NETWORKING	2007464-3
W/O INSULATING TAPE	15.8	SAN	2007464-2
W/O INSULATING TAPE	13.5	PCI	2007464-1

THIS DRAWING IS A CONTROLLED DOCUMENT. DWG: Z.M.BEAM 20NOV2007
 CHK: M.B.SCHMITT 20NOV2007
 APP'D: R.H.WERTZ 20NOV2007

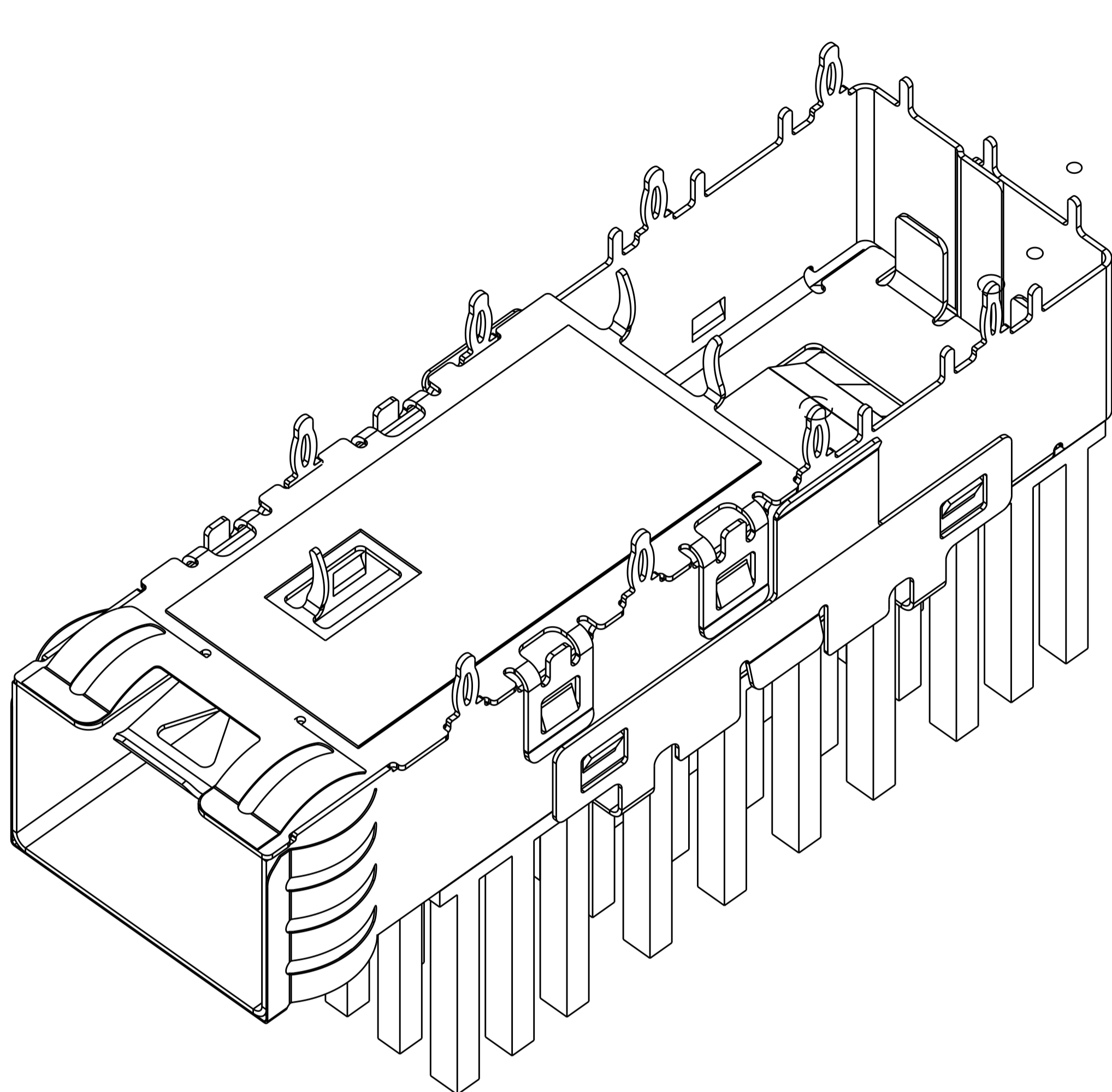
DIMENSIONS: mm
 TOLERANCES UNLESS OTHERWISE SPECIFIED:
 0 PLC ±0.1
 1 PLC ±0.1
 2 PLC ±0.1
 3 PLC ±0.05
 4 PLC ±0.05
 ANGLES ±0.05

MATERIAL: FINISH:

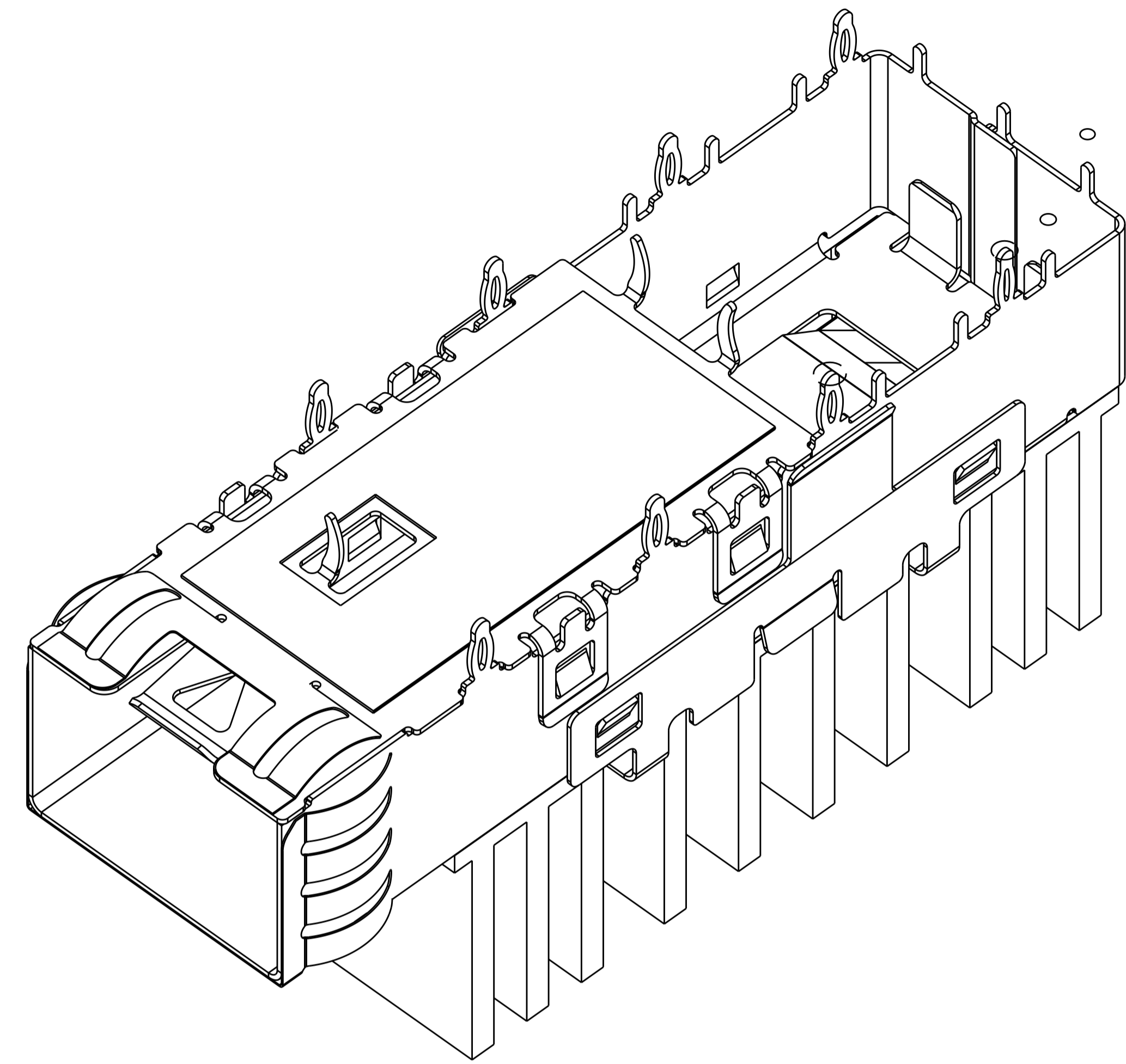
Customer Drawing

STE TE Connectivity
 NAME: SFP+ 1X1 CAGE ASSEMBLY, PRESS-FIT PRESS-FIT, EMI SPRINGS WITH HEATSINK
 PRODUCT SPEC: 108-2364
 APPLICATION SPEC: 114-13120
 SIZE: CAGE CODE DRAWING NO: A100779 ©=2007464
 RESTRICTED TO: -
 SCALE: 2 SHEET 1 OF 4 REV: F2

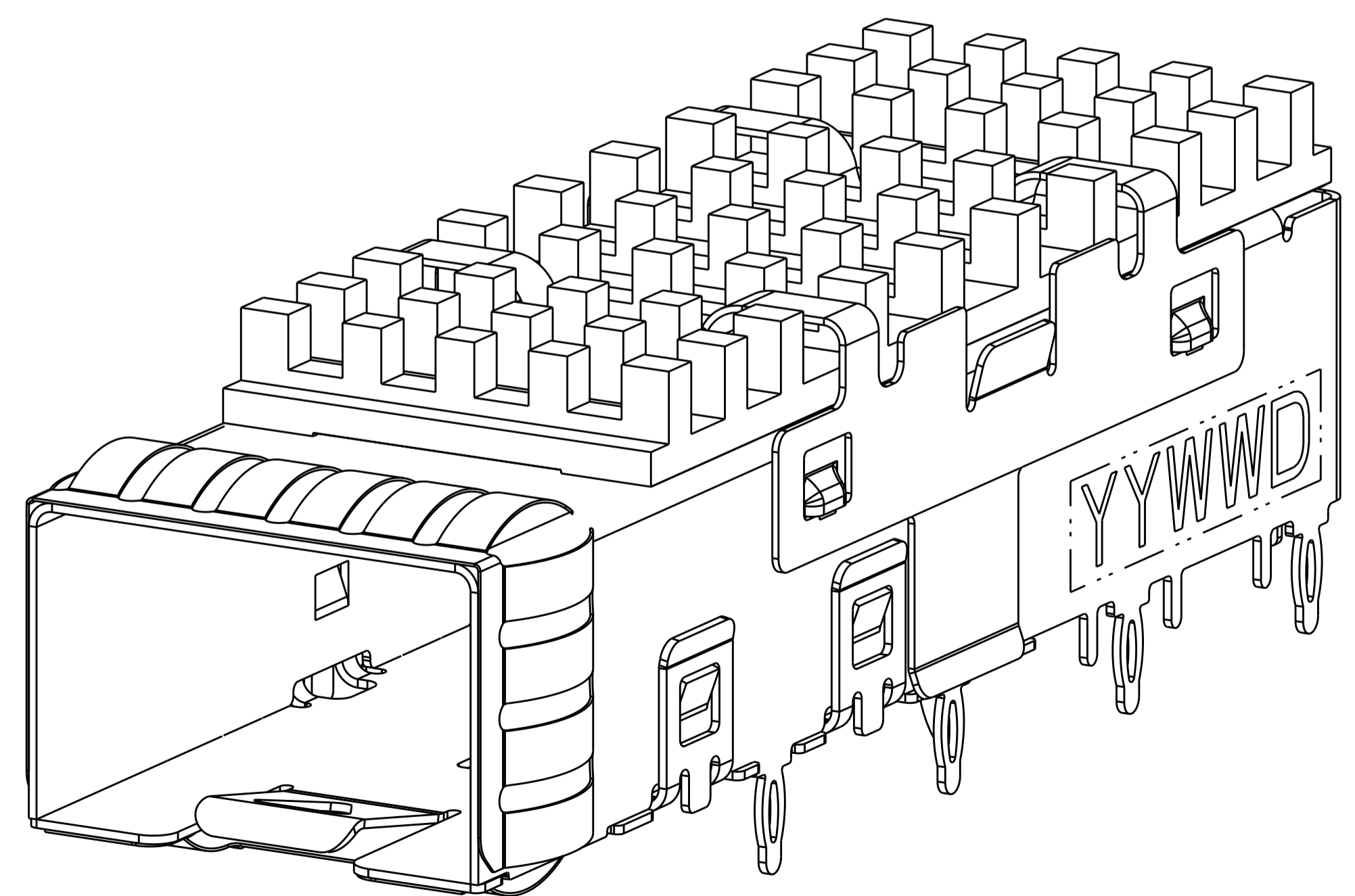
LOC	DIST	REVISIONS			
P	LYR	DESCRIPTION	DATE	DMN	APVD
GP	00	SEE SHEET 1	-	-	-





2007464-4 AS SHOWN WITH INSULATING TAPE, PIN TYPE HEAT SINK
 2007464-1, 2, 3 WITHOUT INSULATING TAPE, TAPE, PIN TYPE HEAT SINK



2007464-8 AS SHOWN WITH INSULATING TAPE, WITH FIN TYPE HEAT SINK
 2007464-5, 6, 7 WITHOUT INSULATING TAPE, WITH FIN TYPE HEAT SINK

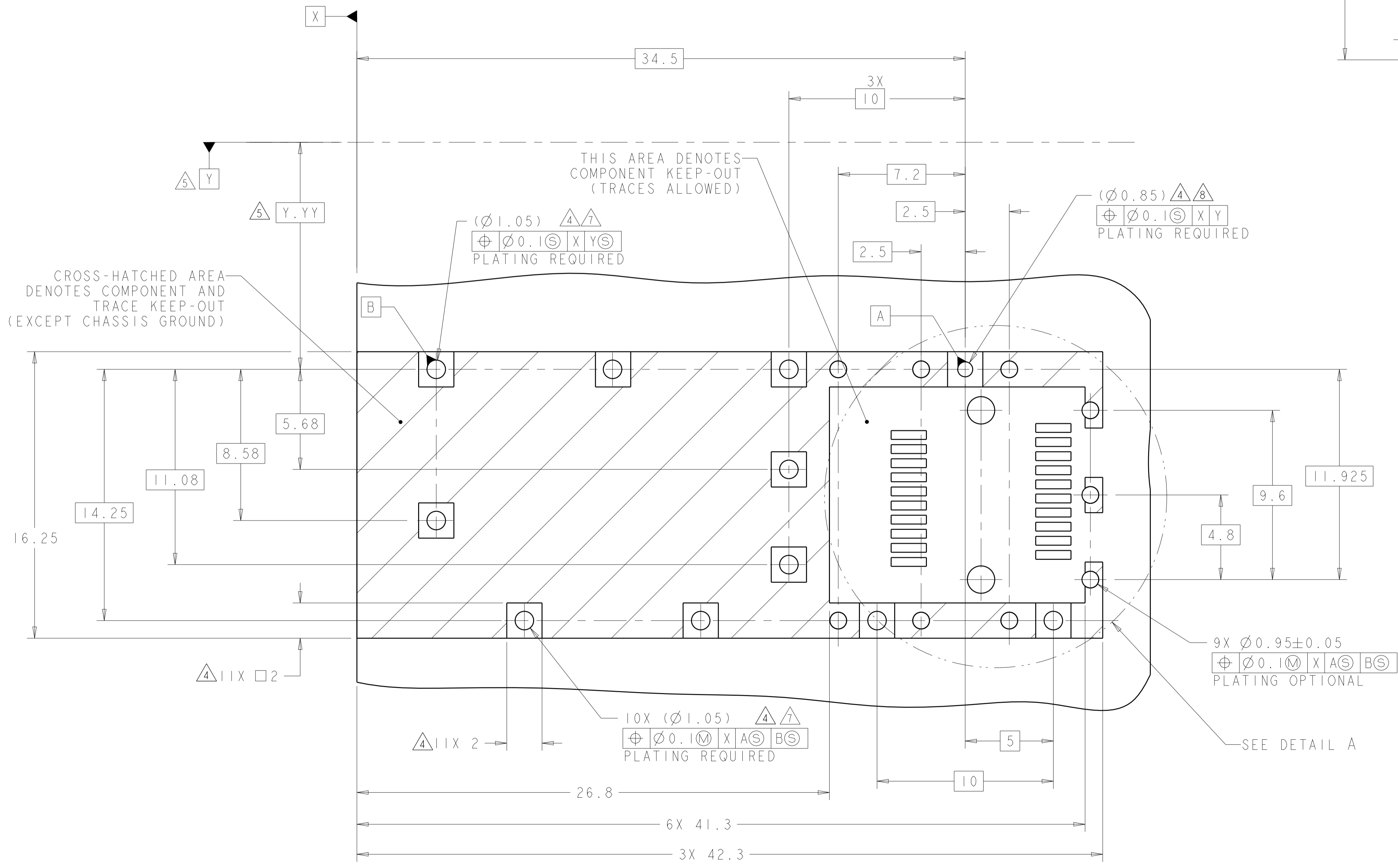
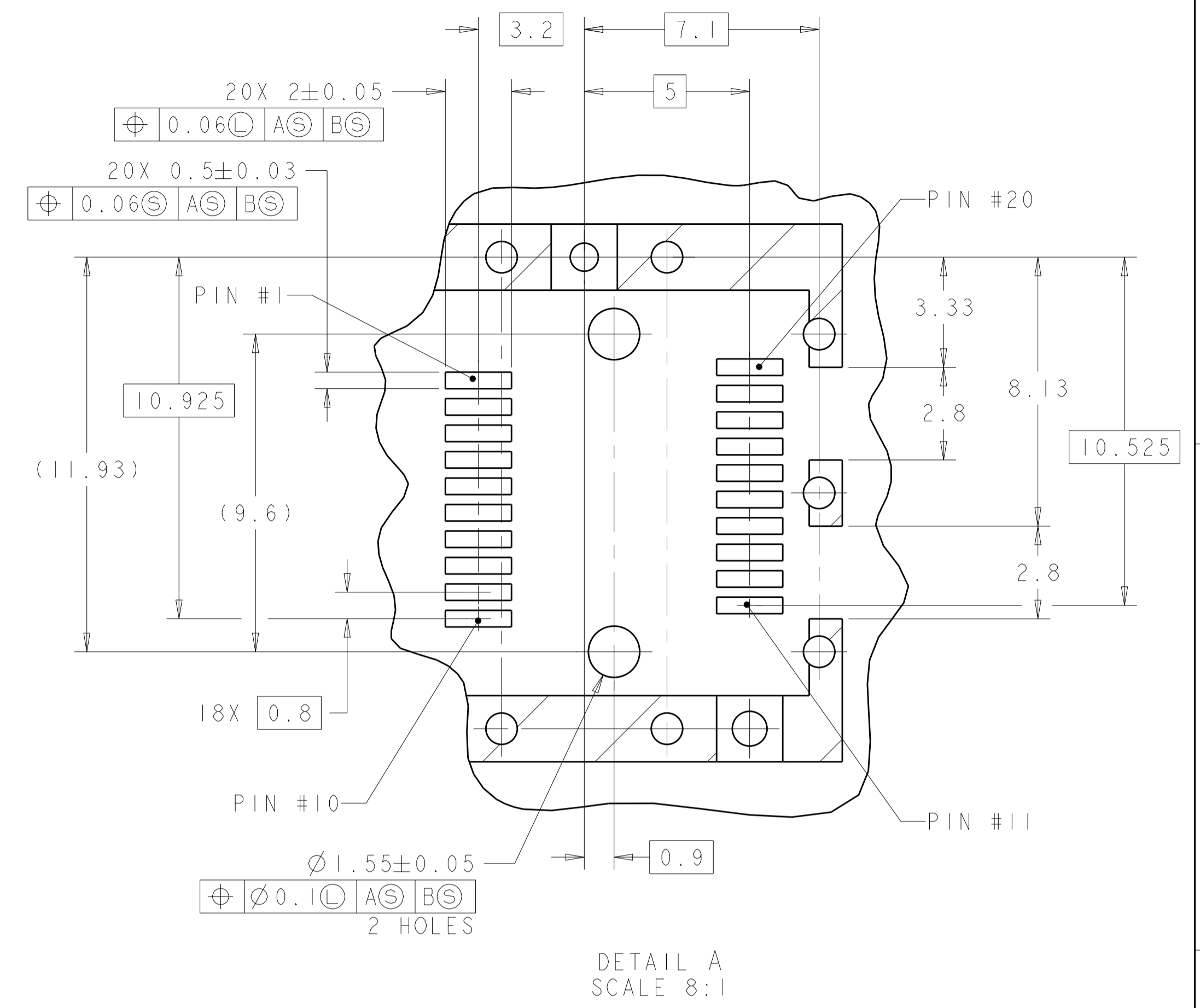
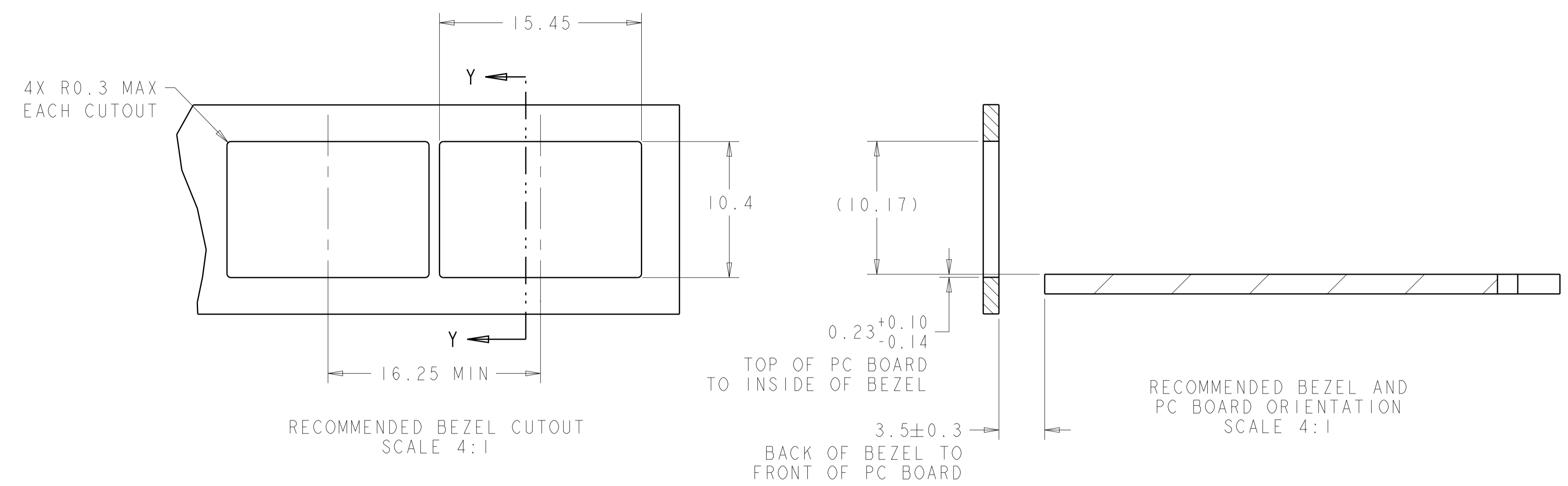


2007464-9 AS SHOWN

THIS DRAWING IS A CONTROLLED DOCUMENT.		DMN Z. M. REAM 20NOV2007	 TE Connectivity
DIMENSIONS: mm		CHK M. R. SCHMITZ 20NOV2007	
TOLERANCES UNLESS OTHERWISE SPECIFIED: 0 PLC ±0.1 1 PLC ±0.1 2 PLC ±0.1 3 PLC ±0.05 4 PLC ±0.05 ANGLES ±0.05		APVD R. H. WERTZ 20NOV2007	NAME SFP+ 1X1 CAGE ASSEMBLY, PRESS-FIT PRESS-FIT, EMI SPRINGS WITH HEATSINK
		PRODUCT SPEC 108-2364	SIZE 114-13120
MATERIAL		APPLICATION SPEC 114-13120	RESTRICTED TO
FINISH		WEIGHT	A100779C=2007464
		Customer Drawing	SCALE 2 SHEET 2 OF 4 REV F2

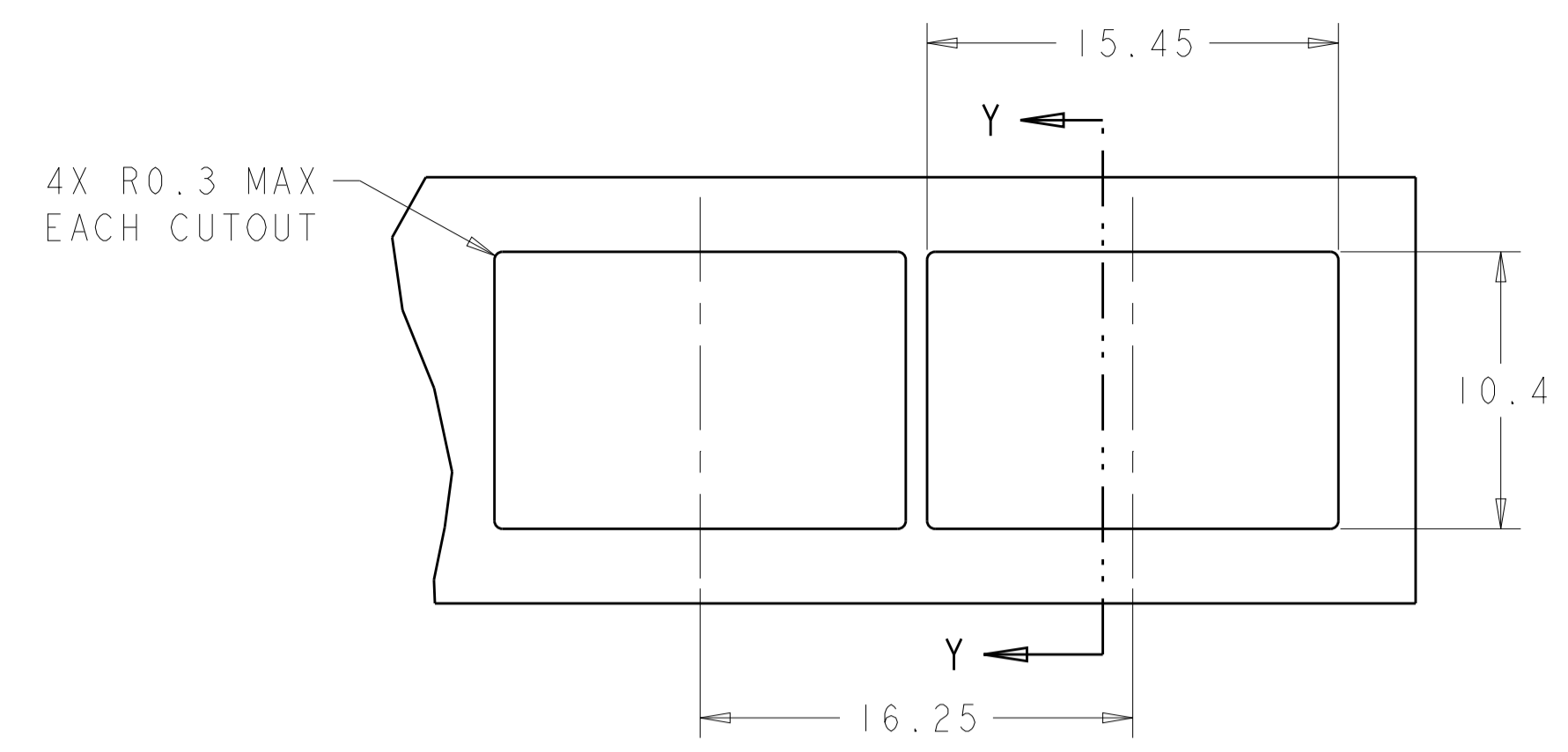
LOC	DIST	REV	DATE	BY	APPV
GP	00				

REVISIONS					
REV	DATE	BY	APPV	DESCRIPTION	SCALE
-	-	-	-	SEE SHEET 1	-

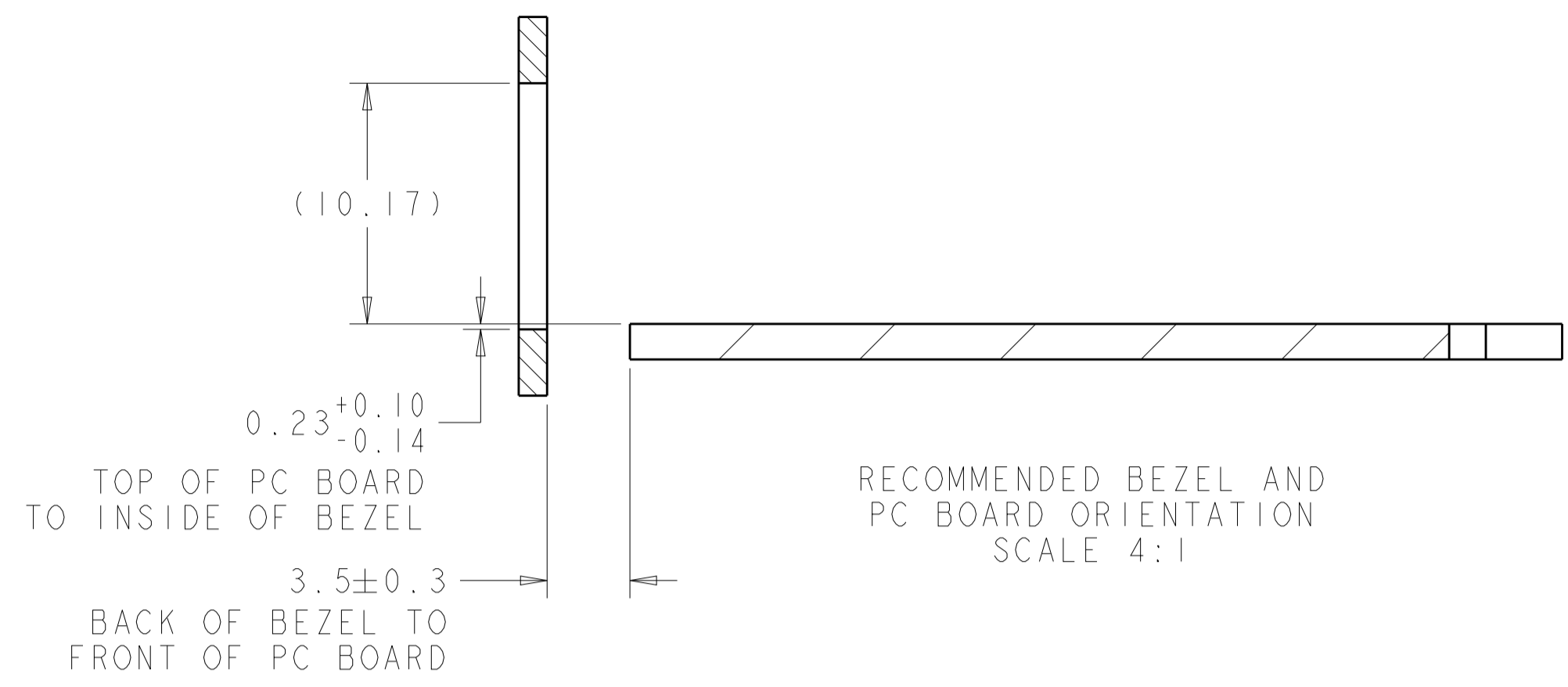


THIS DRAWING IS A CONTROLLED DOCUMENT.		OWN: Z.M. REAM 20NOV2007	TE Connectivity
DIMENSIONS: mm		CHK: M.R. SCHMITZ 20NOV2007	
TOLERANCES UNLESS OTHERWISE SPECIFIED:		APVD: R.H. WERTZ 20NOV2007	NAME: SFP+ IXI CAGE ASSEMBLY, PRESS-FIT PRESS-FIT, EMI SPRINGS WITH HEATSINK
0 PLC ±0.1		PRODUCT SPEC: 108-2364	SIZE: A100779C=2007464
1 PLC ±0.1		APPLICATION SPEC: 114-13120	RESTRICTED TO: -
2 PLC ±0.1		WEIGHT: -	SCALE: 2
3 PLC ±0.05		FINISH: -	SHEET: 3 OF 4
4 PLC ±0.05		MATERIAL: -	REV: F2
ANGLES ±0.05		Customer Drawing	

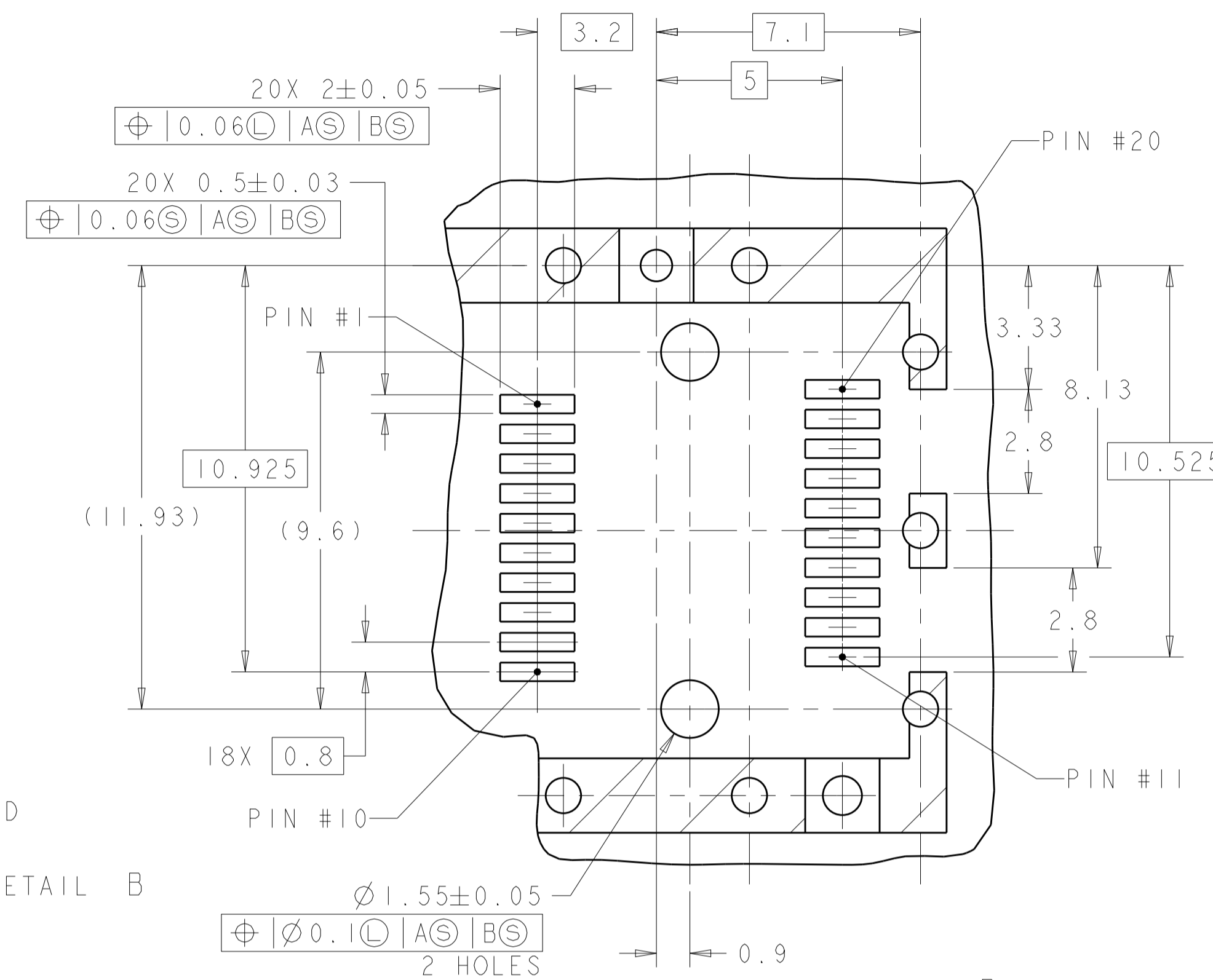
LOC	DIST	REV	DATE	APPD	APVD
GP	00				
P LTH		REVISIONS			
-		DESCRIPTION	DATE	OWN	APVD
		SEE SHEET 1			



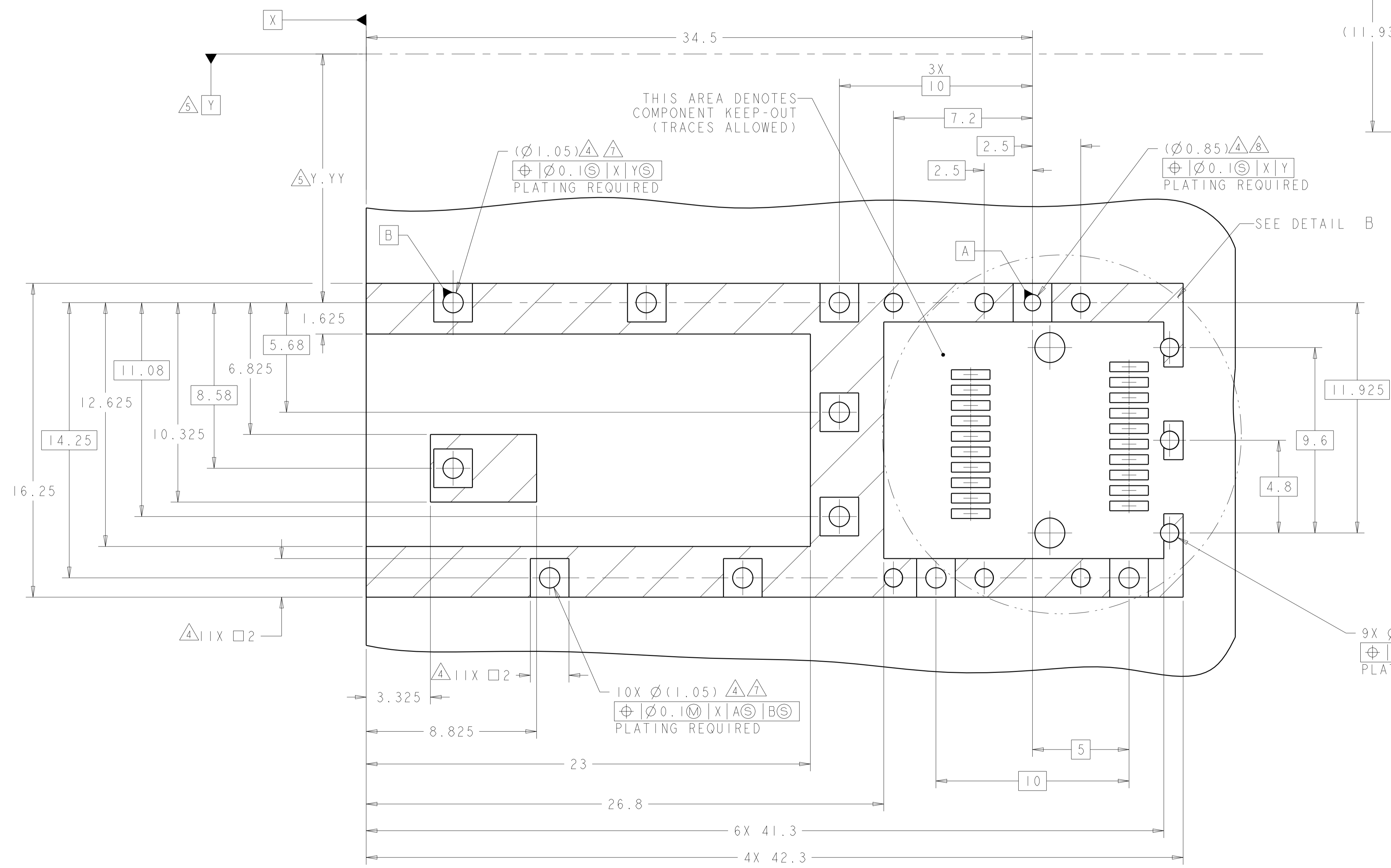
RECOMMENDED BEZEL CUTOUT
SCALE 4:1



TOP OF PC BOARD TO INSIDE OF BEZEL
BACK OF BEZEL TO FRONT OF PC BOARD
RECOMMENDED BEZEL AND PC BOARD ORIENTATION
SCALE 4:1



DETAIL B
SCALE 8:1



RECOMMENDED PCB LAYOUT FOR WITH INSULATING TAPE PART
SCALE 8:1

9X $\varnothing 0.95 \pm 0.05$
 $\varnothing 0.10$ | X | A(S) | B(S)
 PLATING OPTIONAL

THIS DRAWING IS A CONTROLLED DOCUMENT.		OWN Z.M.BEAM 20NOV2007	TE Connectivity												
DIMENSIONS: mm		CHK M.B.SCHMITZ 20NOV2007													
TOLERANCES UNLESS OTHERWISE SPECIFIED:		APVD B.H.WERTZ 20NOV2007	NAME SFP+ IXI CAGE ASSEMBLY, PRESS-FIT PRESS-FIT, EMI SPRINGS WITH HEATSINK												
<table border="1"> <tr><td>0 PLC</td><td>±0.1</td></tr> <tr><td>1 PLC</td><td>±0.1</td></tr> <tr><td>2 PLC</td><td>±0.1</td></tr> <tr><td>3 PLC</td><td>±0.05</td></tr> <tr><td>4 PLC</td><td>±0.05</td></tr> <tr><td>ANGLES</td><td>±0.05</td></tr> </table>		0 PLC	±0.1	1 PLC	±0.1	2 PLC	±0.1	3 PLC	±0.05	4 PLC	±0.05	ANGLES	±0.05	PRODUCT SPEC 108-2364	SIZE A100779
0 PLC	±0.1														
1 PLC	±0.1														
2 PLC	±0.1														
3 PLC	±0.05														
4 PLC	±0.05														
ANGLES	±0.05														
MATERIAL		APPLICATION SPEC 114-13120	RESTRICTED TO												
FINISH		WEIGHT	SCALE 2 SHEET 4 OF 4 REV F2												
		Customer Drawing													