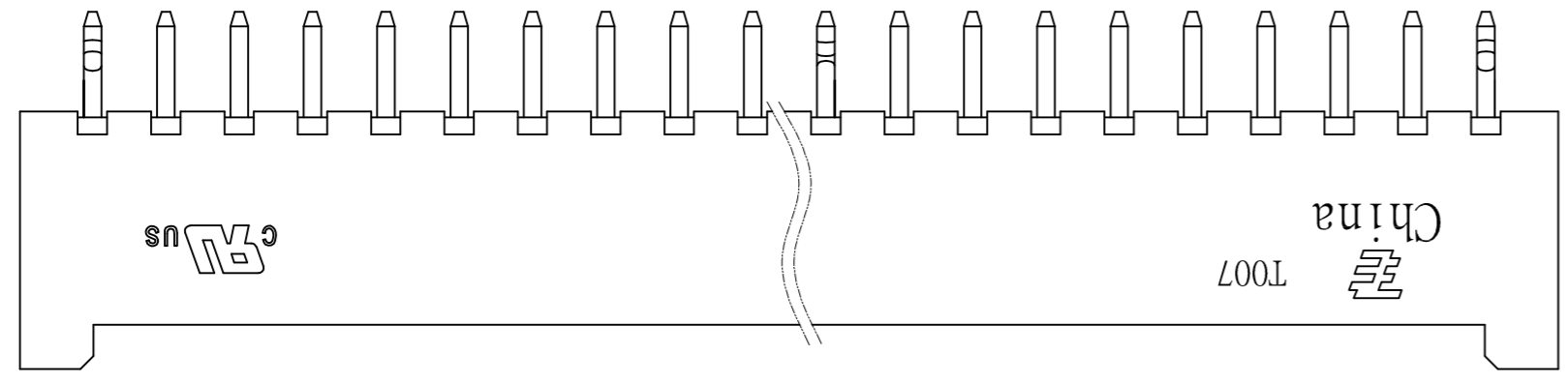
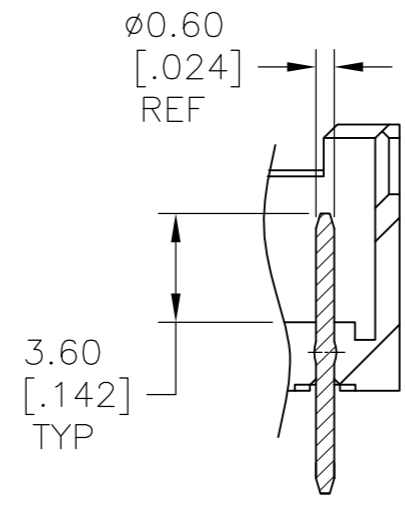
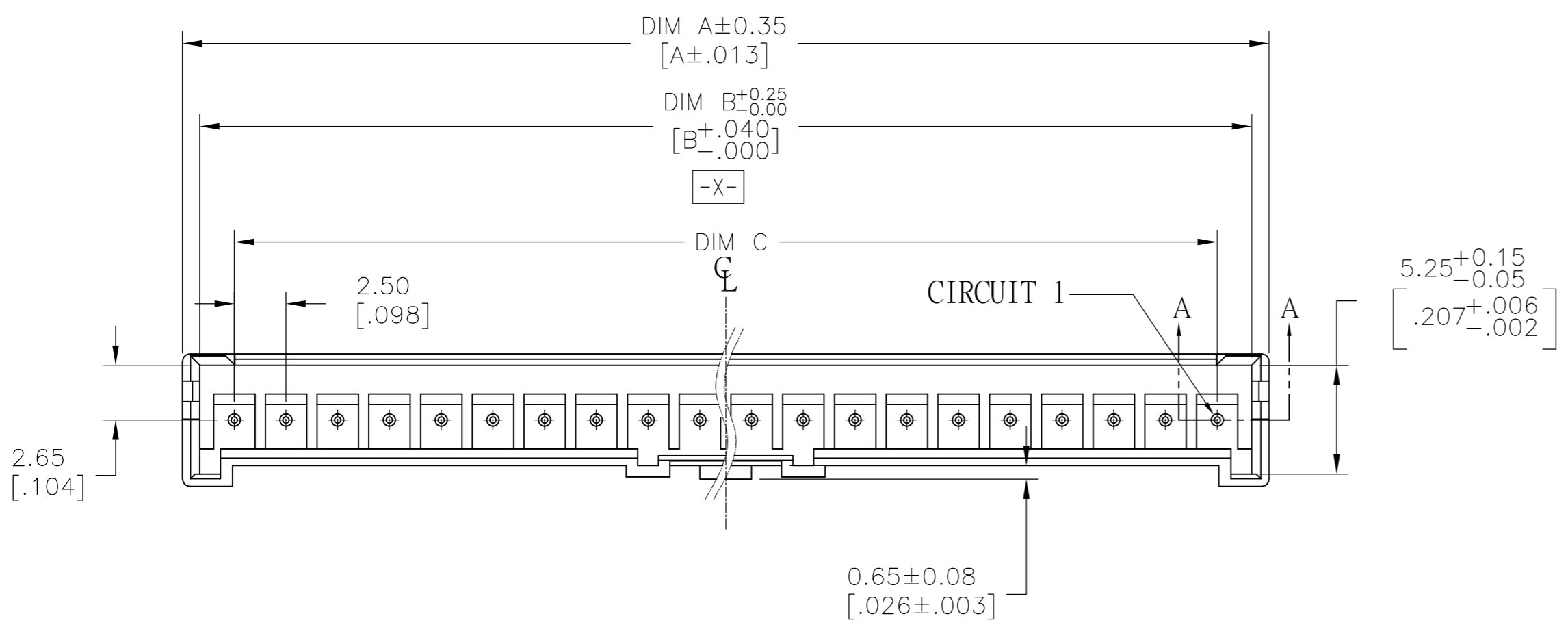


THIS DRAWING IS UNPUBLISHED. RELEASED FOR PUBLICATION
 © COPYRIGHT - By - ALL RIGHTS RESERVED.

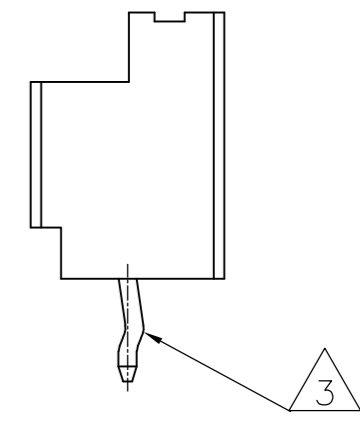
LOC		DIST		REVISIONS			
P	LTR	DESCRIPTION		DATE	DWN	APVD	
-	-	D1	REVISED PER ECR-15-011988	12AUG15	O.C	D.Z	



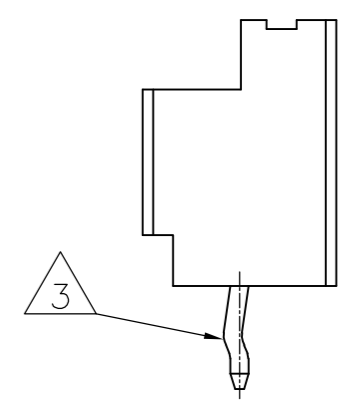
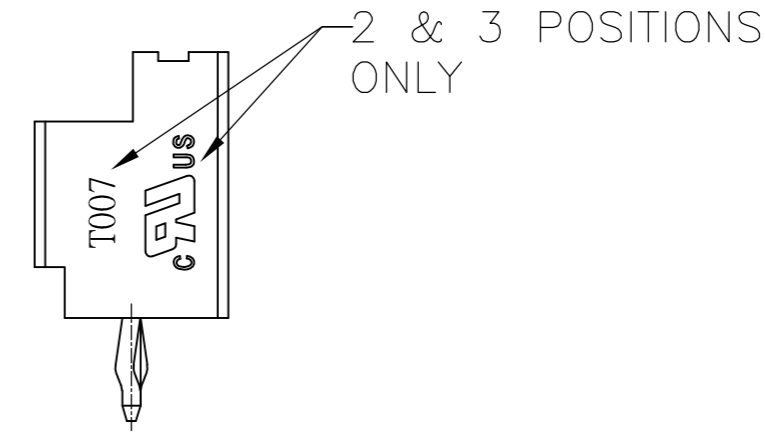
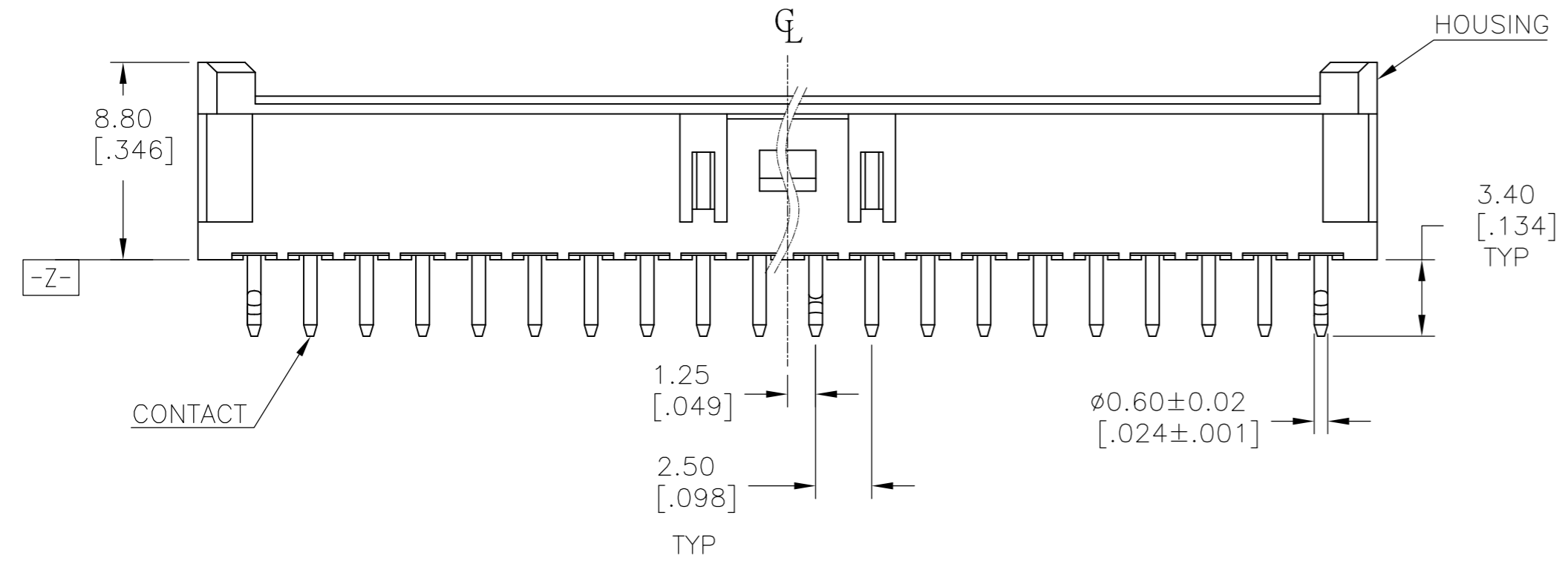
- 1 MATERIAL: HOUSING: NYLON 66, UL94V-0, NATURAL.
CONTACT: BRASS, NICKEL UNDER PLATING,
TIN PLATING ON PIN AREA.
- 2 CONTACT RETENTION: 20 NEWTON [4.5 lbf] MIN.
- 3 CONTACT SOLDER TAIL KINK DIRECTION SEE BELOW TABLE.



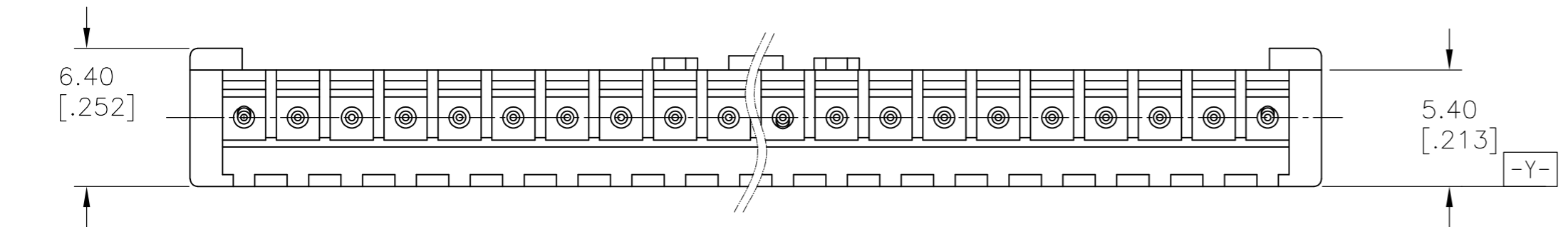
SECTION A-A



MIDDLE



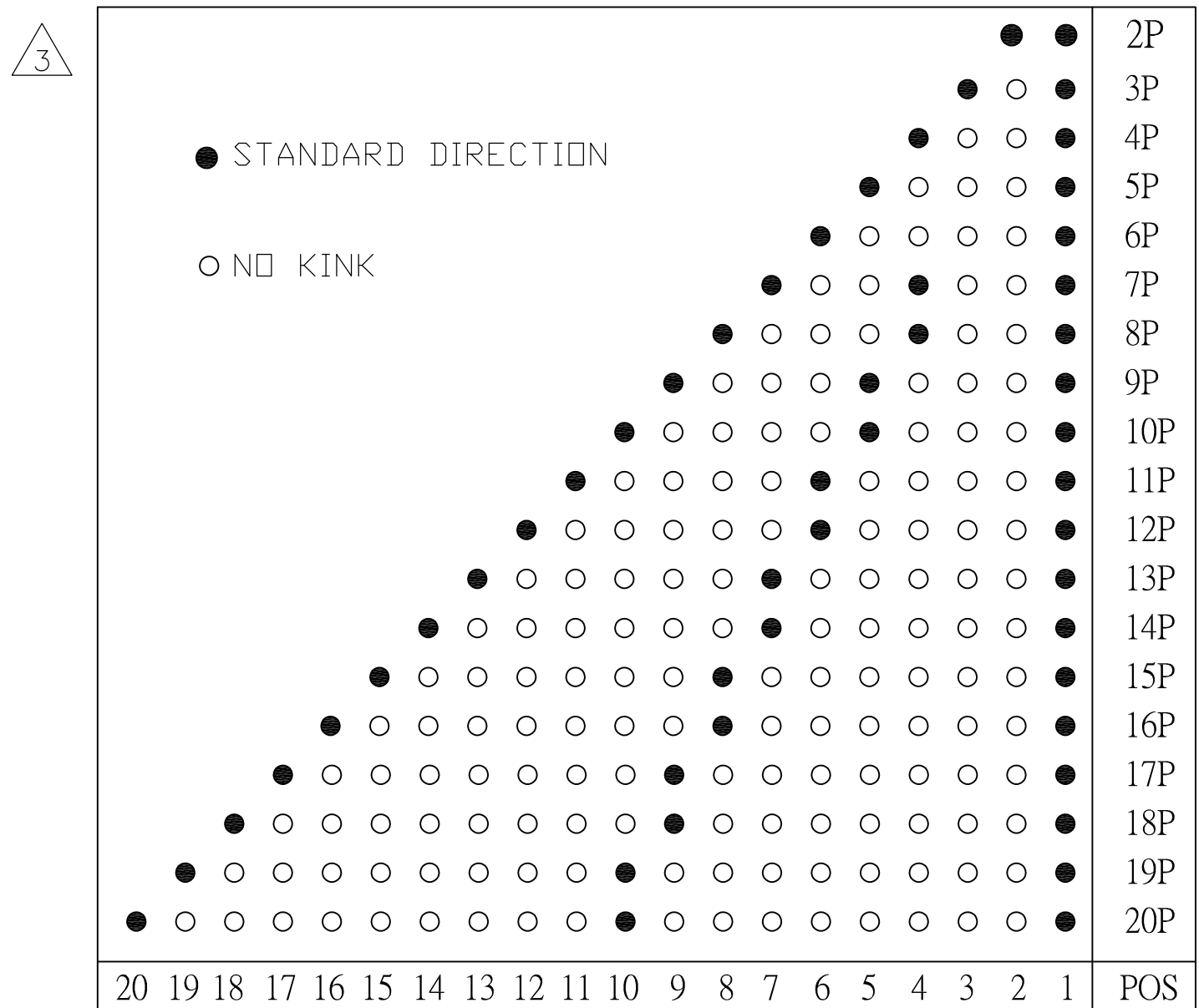
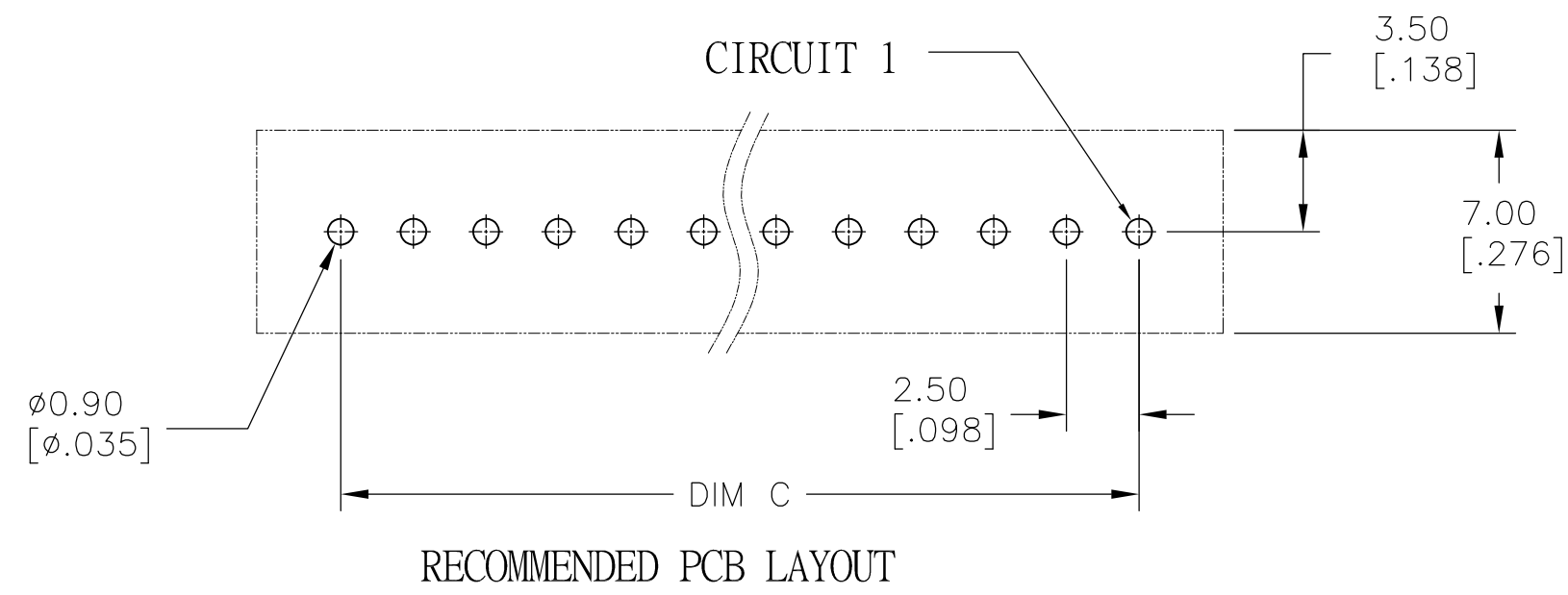
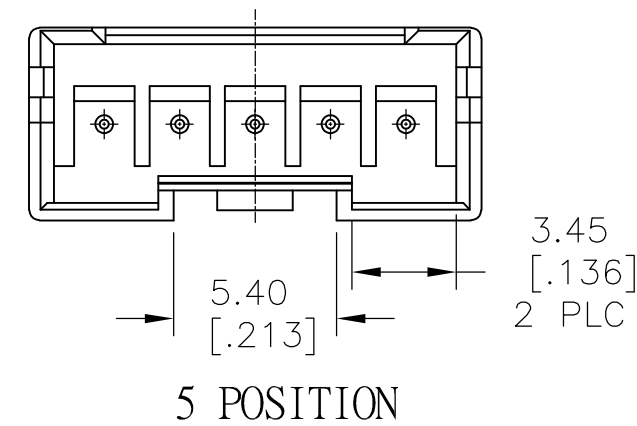
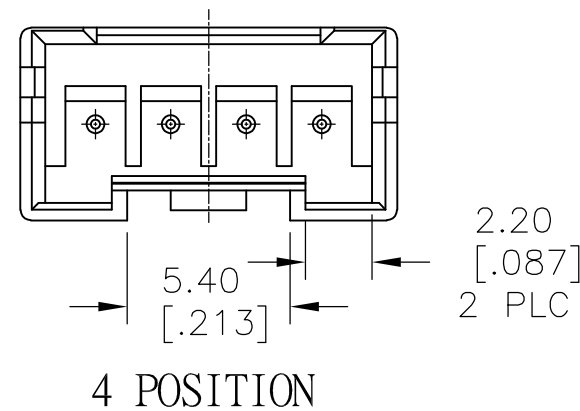
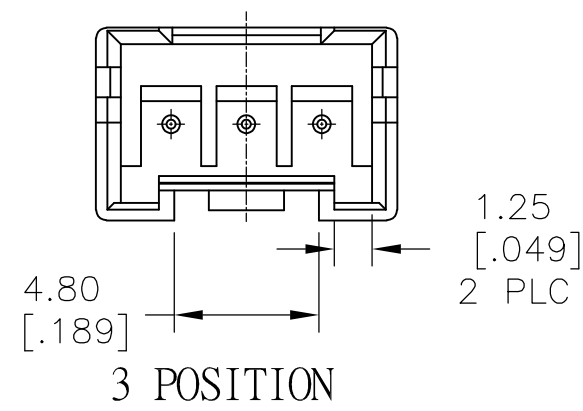
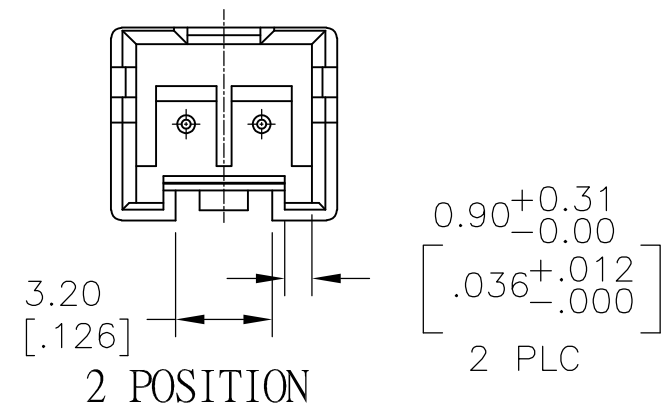
SIDE



THIS DRAWING IS A CONTROLLED DOCUMENT.		DWN RAGHAVENDRA 06JAN11		
DIMENSIONS: mm [INCHES]		CHK MACE SAMUEL 06JAN11		
TOLERANCES UNLESS OTHERWISE SPECIFIED:		APVD MACE SAMUEL 06JAN11	NAME	
0 PLC ± 0.50	1 PLC ± 0.30	PRODUCT SPEC	108-2418 2	
2 PLC ± 0.20	3 PLC ± 0.10	APPLICATION SPEC	114-13315	
4 PLC ± -	ANGLES ± 3°	FINISH	SIZE A2	CAGE CODE 00779
MATERIAL			DRAWING NO C=2132415	RESTRICTED TO
			SCALE 1:1	SHEET 1 OF 2
			CUSTOMER DRAWING	REV D1

THIS DRAWING IS UNPUBLISHED. RELEASED FOR PUBLICATION
 © COPYRIGHT - By - ALL RIGHTS RESERVED.

LOC		DIST		REVISIONS			
P	LTR	DESCRIPTION	DATE	DWN	APVD		
-	-	SEE SHEET 1	-	-	-		



47.50 [1.870]	50.83 [2.001]	52.50 [2.067]	20	2-2132415-0
45.00 [1.772]	48.33 [1.903]	50.00 [1.968]	19	1-2132415-9
42.50 [1.673]	45.83 [1.804]	47.50 [1.870]	18	1-2132415-8
40.00 [1.575]	43.33 [1.706]	45.00 [1.772]	17	1-2132415-7
37.50 [1.476]	40.83 [1.607]	42.50 [1.673]	16	1-2132415-6
35.00 [1.378]	38.33 [1.510]	40.00 [1.575]	15	1-2132415-5
32.50 [1.280]	35.83 [1.411]	37.50 [1.476]	14	1-2132415-4
30.00 [1.181]	33.33 [3.12]	35.00 [1.378]	13	1-2132415-3
27.50 [1.083]	30.83 [.214]	32.50 [1.280]	12	1-2132415-2
25.00 [.984]	28.33 [.115]	30.00 [1.181]	11	1-2132415-1
22.50 [.886]	25.83 [.167]	27.50 [1.083]	10	1-2132415-0
20.00 [.787]	23.33 [.919]	25.00 [.984]	9	2132415-9
17.50 [.689]	20.83 [.820]	22.50 [.886]	8	2132415-8
15.00 [.591]	18.33 [.722]	20.00 [.787]	7	2132415-7
12.50 [.492]	15.83 [.623]	17.50 [.689]	6	2132415-6
10.00 [.394]	13.33 [.525]	15.00 [.591]	5	2132415-5
7.50 [.295]	10.83 [.426]	12.50 [.492]	4	2132415-4
5.00 [.197]	8.33 [.328]	10.00 [.394]	3	2132415-3
2.50 [.098]	5.83 [.229]	7.50 [.295]	2	2132415-2
DIM C	DIM B	DIM A	POS	PART NO

THIS DRAWING IS A CONTROLLED DOCUMENT.

DWN: RAGHAVENDRA 06JAN11
 CHK: MACE SAMUEL 06JAN11
 APVD: MACE SAMUEL 06JAN11

TE Connectivity

NAME: HEADER ASSEMBLY, VERTICAL, ECONOMY POWER, 2.5mm CENTERLINE

PRODUCT SPEC: 108-2418 2
 APPLICATION SPEC: 114-13315

SIZE: A2 CAGE CODE: 00779 DRAWING NO: C=2132415 RESTRICTED TO: -

MATERIAL: - FINISH: - WEIGHT: - SCALE: 1:1 SHEET: 2 of 2 REV: D1

CUSTOMER DRAWING