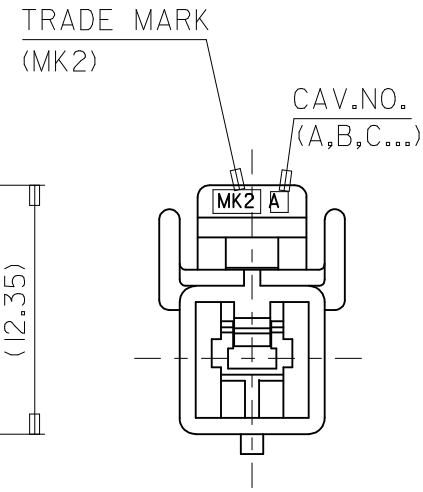
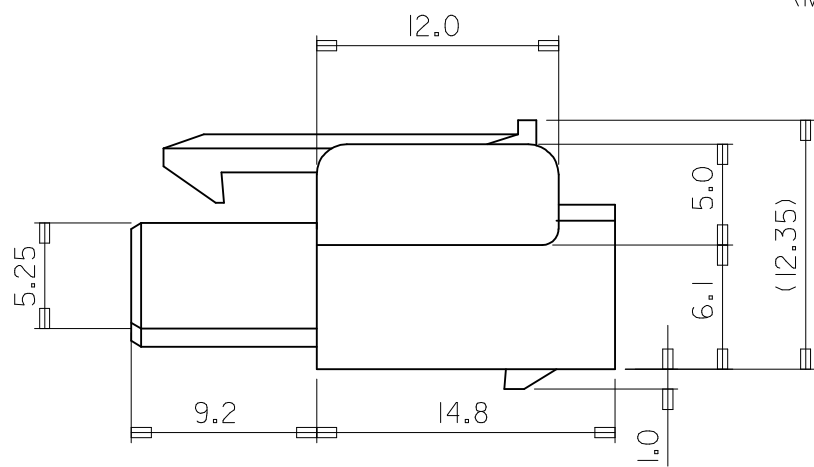
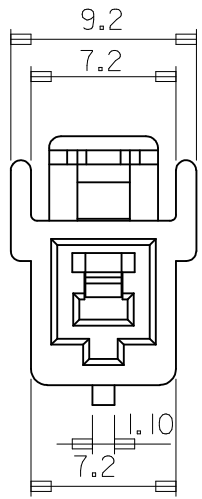
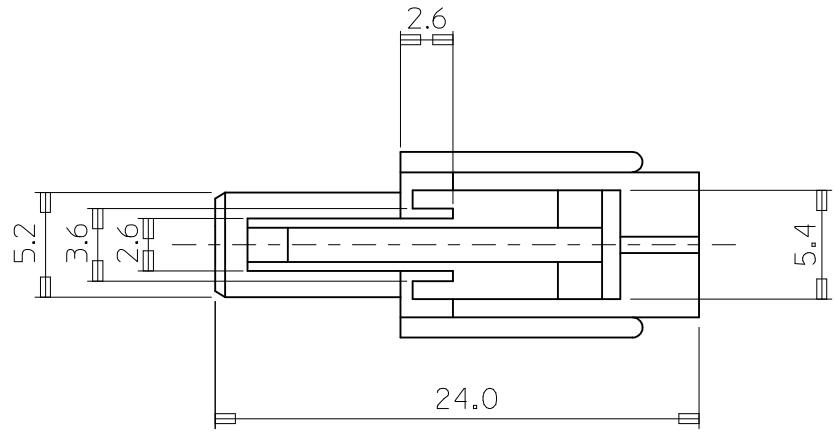


10 9 8 7 6 5 4 3 2 1

- NOTES
1. HOUSING COLOR: SEE TABLE
 2. MATING HOUSING: 35150-0100
 3. APPLICABLE TERMINAL: 35746-0*10
 4. APPLICABLE TPA: 35182-019*



NO	PRODUCT		MATERIAL	
	PART NO	MATERIAL NO	COLOR	DESCRIPTION
1	35151-0110	351510110	NATURAL	PBT (UL94V-0)
2	35151-0112	351510112	RED	
3	35151-0114	351510114	BLUE	PBT/PC
4	35151-0119	351510119	NATURAL	

REVISED
 EC NO: KOR2014-0009
 DRWN: JHPARK01 2008/06/30
 CHKD: SHCHU
 APPR: YSKIM02 2013/09/03

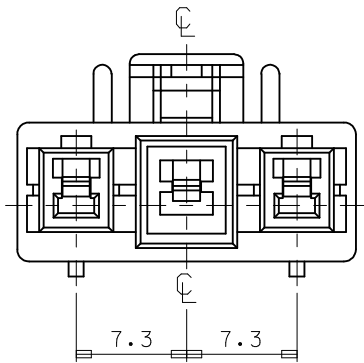
QUALITY SYMBOLS	GENERAL TOLERANCES (UNLESS SPECIFIED)	
	mm	INCH
▽=0	4 PLACES ± ---	± ---
∇=0	3 PLACES ± ---	± ---
	2 PLACES ± ---	± ---
	1 PLACE ± 0.3	± ---
	ANGULAR ± 1°	

DRAFT WHERE APPLICABLE MUST REMAIN WITHIN DIMENSIONS

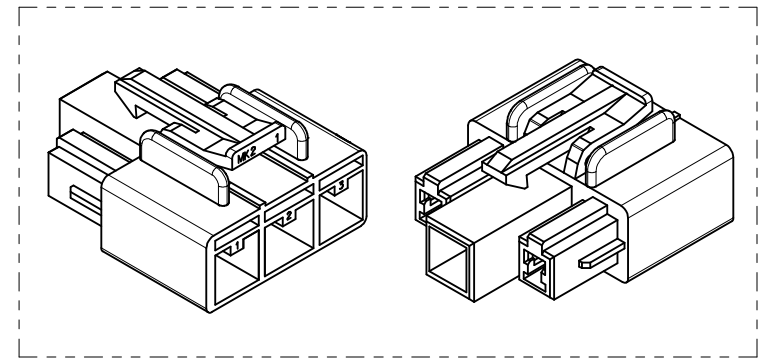
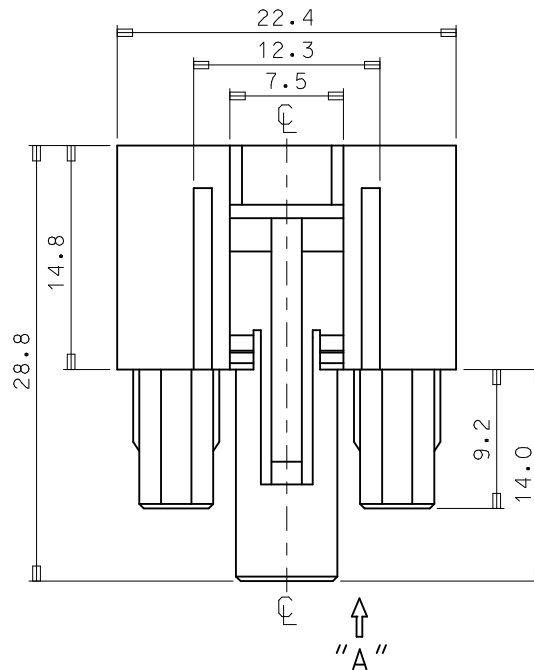
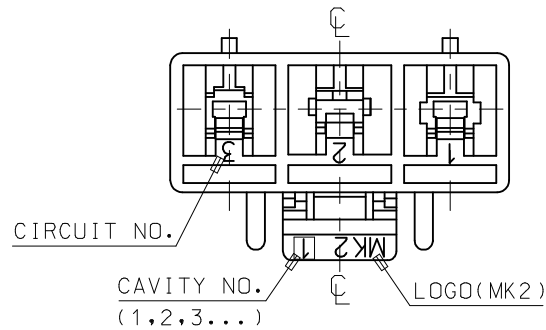
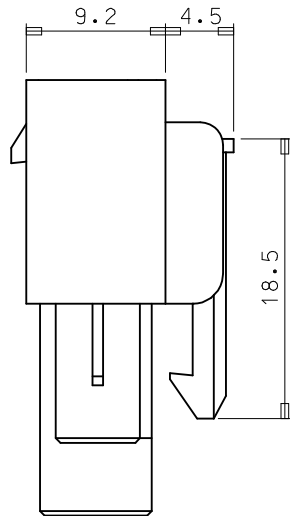
DIMENSION STYLE	
MM ONLY	
DRAWN BY	DATE
MY. YANG	1995/11/08
CHECKED BY	DATE
BK. CHOI	1995/11/08
APPROVED BY	DATE
CW. LEE	1995/11/08
MATERIAL NO.	
SEE TABLE	

SCALE	DESIGN UNITS	THIRD ANGLE PROJECTION
4/1	METRIC	☉
TITLE		
.070 W/W PLUG HSG-1P		
MOLEX INCORPORATED		SHEET NO.
DOCUMENT NO. SD-35151-0110		1 OF 01
THIS DRAWING CONTAINS INFORMATION THAT IS PROPRIETARY TO MOLEX INCORPORATED AND SHOULD NOT BE USED WITHOUT WRITTEN PERMISSION		

9 8 7 6 5 4 3 2 1



VIEW "A"



NOTES

- MATERIAL · COLOR : SEE TABLE
- MATED HOUSING : 35150-*30*
35150-*31*
35150-039*(T.P.A)
- APPLICABLE TERMINAL : 35746-0*10 (1 CIRCUIT)
35745-0*10 (2 CIRCUIT)
35748-0*10 (3 CIRCUIT)

BLUE COLOR	PBT (UL94V-0)	35151-0314	351510314	2
NATURAL COLOR		35151-0310	351510310	1
FINISH	DESCRIPTION	ORDER NO	MATERIAL NO	NO
MATERIAL			PRODUCT	

[TABLE]

REVISED EC NO: KOR2015-0072 DRWN: JSSHIN 2014/12/16 CHKD: SHCHU 2014/12/16 APPR: YSKI M02 2014/12/29	QUALITY SYMBOLS ▽=0 □=0	GENERAL TOLERANCES (UNLESS SPECIFIED)		DIMENSION STYLE	SCALE	DESIGN UNITS	THIRD ANGLE PROJECTION	
				MM ONLY	3:1	METRIC		
		mm	INCH	DRAWN BY	DATE	TITLE		
		4 PLACES	± ---	± ---	WY. YANG	1992/11/17	7.3 PITCH W/W CONN. FEMALE HOUSING -3P	
3 PLACES	± ---	± ---	CHECKED BY	DATE	MOLEX INCORPORATED			
2 PLACES	± ---	± ---	BK. CHOI	1992/11/17				
1 PLACE	± 0.3	± ---	APPROVED BY	DATE	DOCUMENT NO.			
ANGULAR ± 1 °				CW. LEE	1992/11/17	SD-35151-031*		
DRAFT WHERE APPLICABLE MUST REMAIN WITHIN DIMENSIONS				MATERIAL NO.		SHEET NO.		
				SEE TABLE		1 OF 01		
				SIZE	THIS DRAWING CONTAINS INFORMATION THAT IS PROPRIETARY TO MOLEX INCORPORATED AND SHOULD NOT BE USED WITHOUT WRITTEN PERMISSION			
				A3				