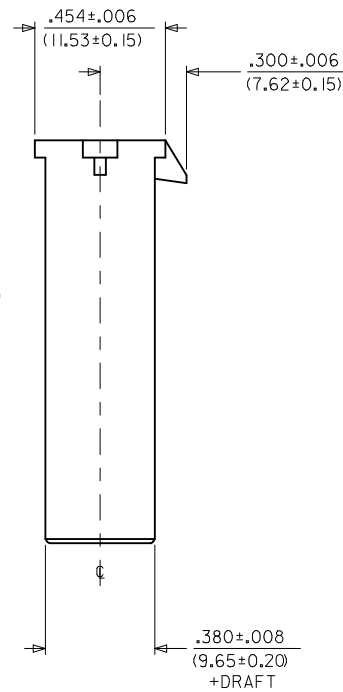
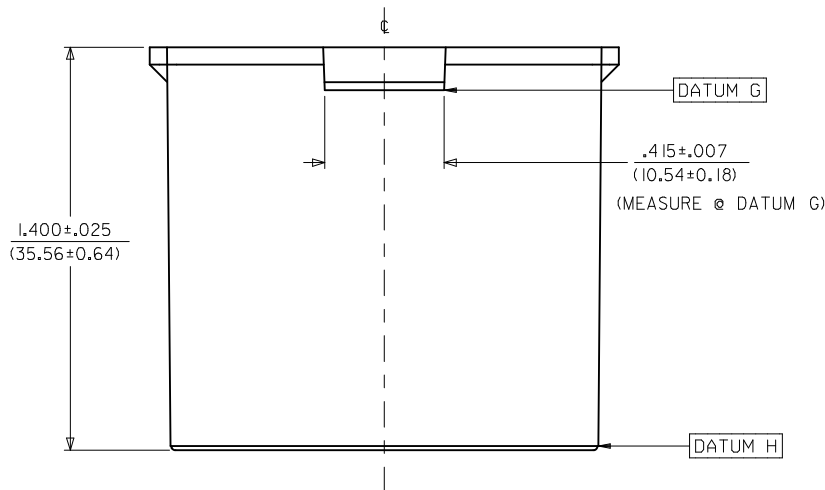
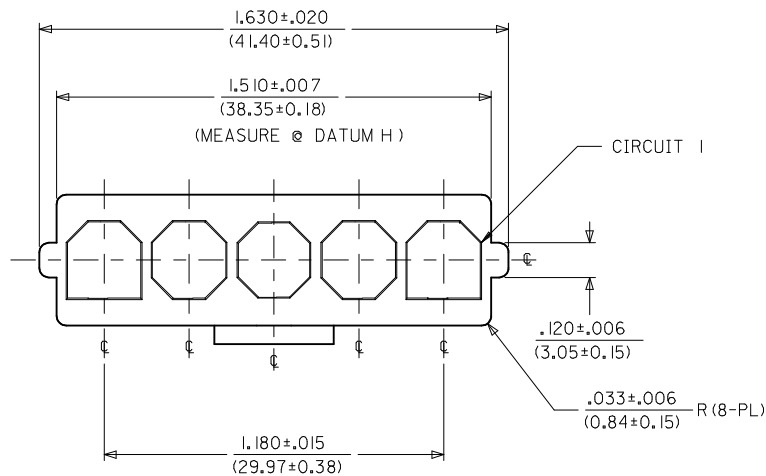


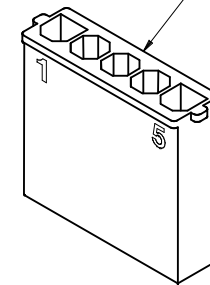
ITEM NUMBER	MATERIAL	COLOR
43680-2005	NYLON 66, UL94V-0	BLACK
43680-1005	NYLON PA66, UL94V-2	NATURAL (TRANSLUCENT)
43680-3005	NYLON, UL94V-2, IEC 60335-1 GLOW-WIRE CAPABLE	BLACK

NOTE:

1. MATERIAL: SEE CHART.
2. FINISH: NONE.
3. PRODUCT SPECIFICATION: PS-44441-9999.
4. PACKAGING: PK-43680-001.
5. THIS CONNECTOR HOUSING FOR USE WITH 43178-**** TERMINALS.
6. THIS CONNECTOR HOUSING WILL MATE TO 43335-***5, 43179-***5 AND 44441-***5 HOUSINGS.
7. PARTS CONFORM TO CLASS B REQUIREMENTS OF COSMETIC SPEC PS-45499-002.
- SOME PARTS MAY HAVE A BLEMISH NEAR THE GATE THAT DOES NOT AFFECT FUNCTIONALITY.



LOCKING NUB IS LOCATED HERE



43680-*005
(NO SCALE)

GATE BLEMISH EC NO: UCP2015-2359 DRWN: JDOX 2014/12/09 CHKD: BANDESON 2014/12/09 APPR: FSMITH 2015/01/09	QUALITY SYMBOLS	GENERAL TOLERANCES (UNLESS SPECIFIED)	DIMENSION STYLE	SCALE	DESIGN UNITS	THIRD ANGLE PROJECTION
	▽=0	mm INCH	IN/MM	4:1	INCH	
	▽=0	4 PLACES ± --- ± ---	DRAWN BY DATE	TITLE	5-CIR. PLUG HOUSING .125/(3.18)X.020/(0.51) SABRE - TPA	
	▽=0	3 PLACES ± --- ± .010	AELHAG 2010/09/20	CHECKED BY DATE		
	▽=0	2 PLACES ± 0.25 ± .014	APPROVED BY DATE	FSMITH 2014/03/31	molex SD-43680-*005	
▽=0	1 PLACE ± 0.35 ± ---	MATERIAL NO.	DOCUMENT NO.	SHEET NO.		
REV	ANGULAR ±1/2°	DRAFT WHERE APPLICABLE MUST REMAIN WITHIN DIMENSIONS	SIZE	THIS DRAWING CONTAINS INFORMATION THAT IS PROPRIETARY TO MOLEX INCORPORATED AND SHOULD NOT BE USED WITHOUT WRITTEN PERMISSION		1 OF 1