

Features

- 0805 size
- Available in E12 Series
- High frequency
- Nickel barrier
- RoHS compliant*

Applications

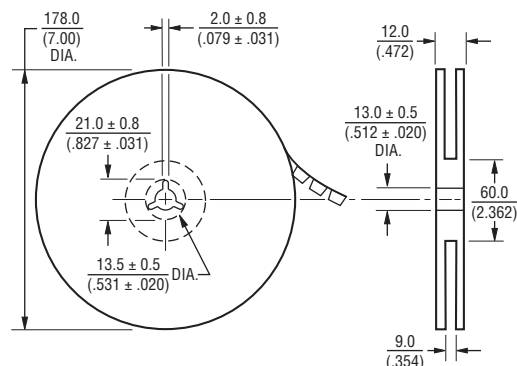
- Mobile phones
- Cellular phones
- CTV, VCR, HIC, FDD
- Automotive electronics

CE201210 Series - Multi-Layer Chip Inductors

Electrical Specifications

Bourns Part No.	Inductance		Q Typ.	Test Frequency	SRF MHz	DCR	I rms
	nH	Tol. %	@100 MHz	L MHz	Min.	mohm Max.	mA Max.
CE201210-1N5D	1.5	± 0.3 nH	21	100	4000	100	300
CE201210-1N8D	1.8	± 0.3 nH	18	100	4000	100	300
CE201210-2N2D	2.2	± 0.3 nH	18	100	4000	100	300
CE201210-2N7D	2.8	± 0.3 nH	19	100	4000	100	300
CE201210-3N3J	3.3	± 5	16	100	4000	130	300
CE201210-3N9J	3.9	± 5	18	100	4000	150	300
CE201210-4N7J	4.7	± 5	18	100	3500	200	300
CE201210-5N6J	5.6	± 5	20	100	3200	230	300
CE201210-6N8J	6.8	± 5	20	100	2800	250	300
CE201210-8N2J	8.2	± 5	21	100	2400	280	300
CE201210-10NJ	10	± 5	20	100	2100	300	300
CE201210-12NJ	12	± 5	21	100	1900	350	300
CE201210-15NJ	15	± 5	22	100	1600	400	300
CE201210-18NJ	18	± 5	24	100	1500	450	300
CE201210-22NJ	22	± 5	23	100	1400	500	300
CE201210-27NJ	27	± 5	23	100	1300	550	300
CE201210-33NJ	33	± 5	24	100	1200	600	300
CE201210-39NJ	39	± 5	23	100	1000	650	300
CE201210-47NJ	47	± 5	23	100	900	700	300
CE201210-56NJ	56	± 5	23	100	800	750	300
CE201210-68NJ	68	± 5	25	100	700	800	300
CE201210-82NJ	82	± 5	24	100	600	900	300
CE201210-R10J	100	± 5	23	100	600	900	300
CE201210-R12J	120	± 5	22	50	500	950	300
CE201210-R15J	150	± 5	22	50	500	1000	300
CE201210-R18J	180	± 5	23	50	400	1100	300
CE201210-R22J	220	± 5	20	50	350	1200	300
CE201210-R27J	270	± 5	20	50	300	1300	300
CE201210-R33J	330	± 5	22	50	250	1400	300
CE201210-R39J	390	± 5	17	50	250	1300	300
CE201210-R47J	470	± 5	17	50	200	1500	300

Packaging Specifications



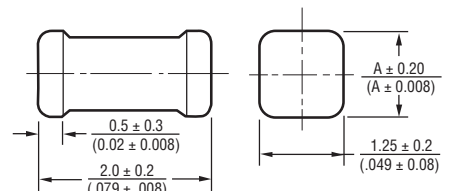
General Specifications

Temperature Rise30 °C max. at rated current
 Operating Temperature-55 °C to +125 °C
 Storage Temperature-55 °C to +125 °C
 Reflow Soldering .. 230 °C, 50 sec. max.
 Resistance to Soldering Heat 260 °C, 10 sec.

Materials

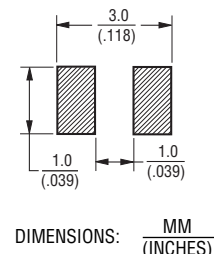
Base Material.....Ceramic
 Terminal.....Ag/Ni/Sn
 Packaging:
 CE201210-1N5D through
 CE201210-82NJ.... 4,000 pcs. per reel
 CE201210-R10J through
 CE201210-R27J.... 4,000 pcs. per reel
 CE201210-R33J through
 CE201210-R47J.... 2,000 pcs. per reel

Product Dimensions



Model	Dimension A
CE201210-1N5D through CD201210-82NJ	0.83 (0.033)
CE201210-R10J through CE201210-R39J	1.00 (0.039)
CE201210-R47J	1.25 (0.050)

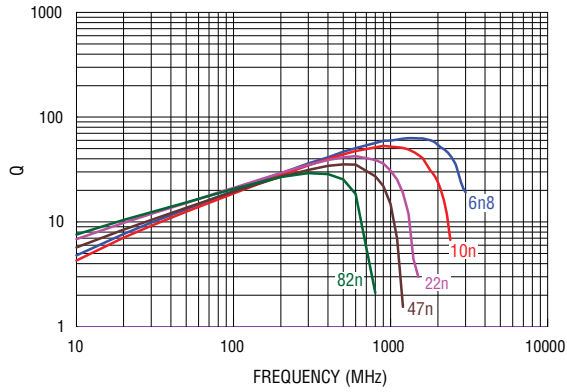
Recommended Layout



*RoHS Directive 2002/95/EC Jan. 27, 2003 including annex and RoHS Recast 2011/65/EU June 8, 2011. Specifications are subject to change without notice. The device characteristics and parameters in this data sheet can and do vary in different applications and actual device performance may vary over time. Users should verify actual device performance in their specific applications.

Electrical Specifications

Q vs. Frequency Characteristics



Inductance vs. Frequency Characteristics

