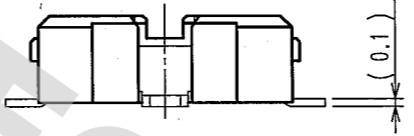
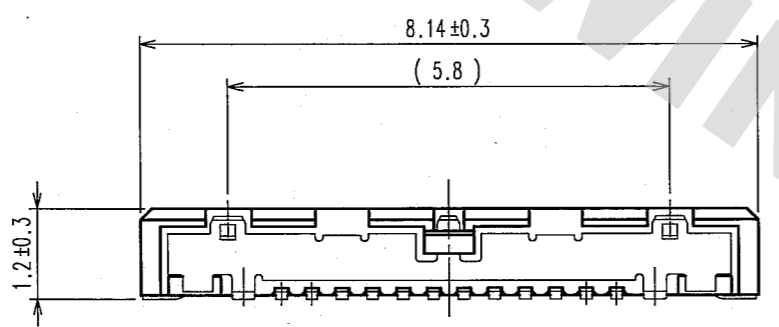
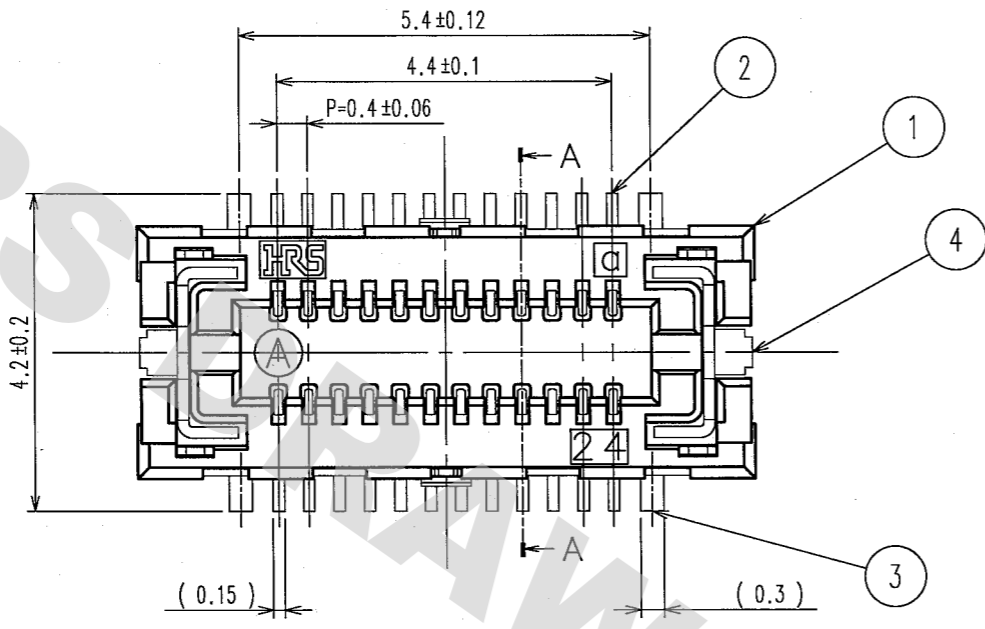
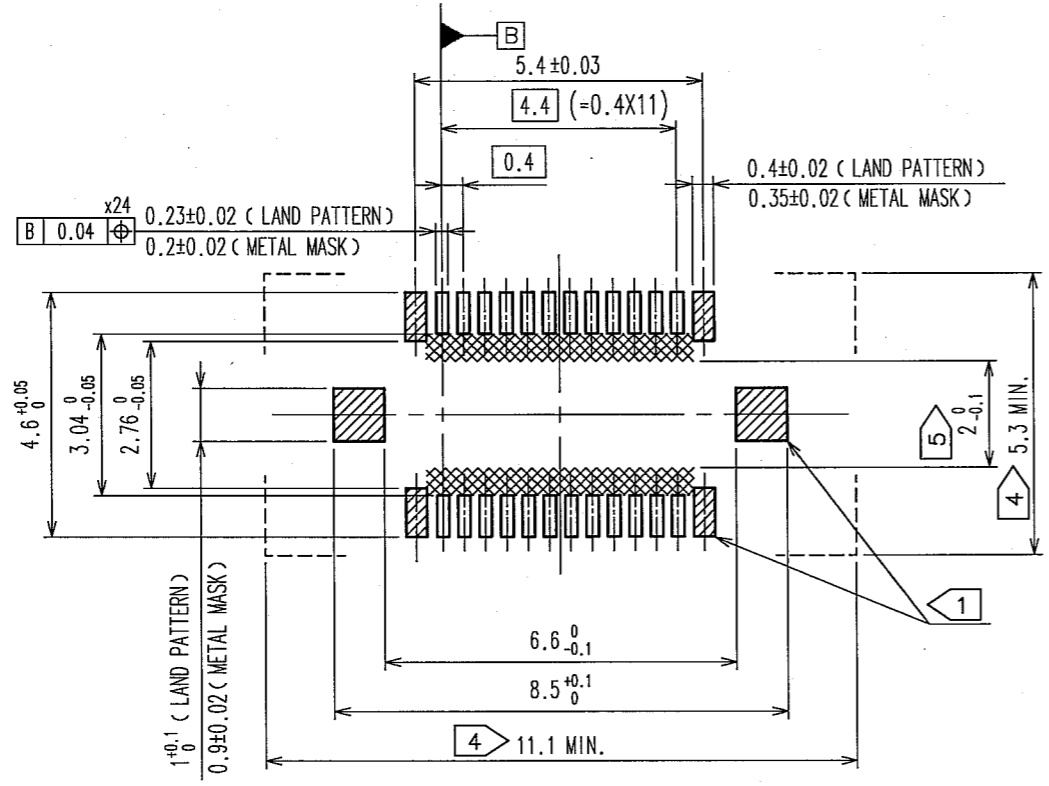


DRAWING FOR REFERENCE: This is subject to change without notice
08/11/2012

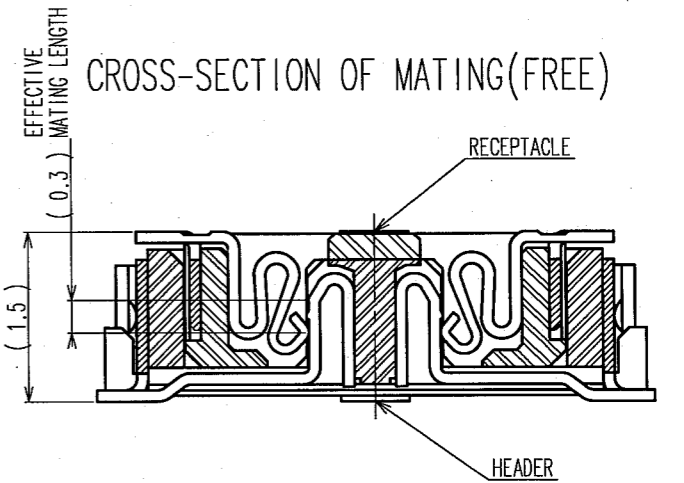
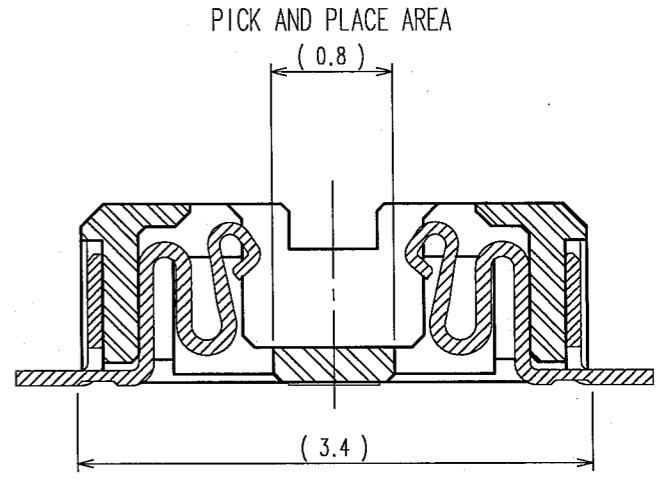
COUNT	DESCRIPTION OF REVISIONS	BY	CHKD	DATE	COUNT	DESCRIPTION OF REVISIONS	BY	CHKD	DATE
1	DIS-F-000377	T.N	H.Y	06.03.16					
1	DIS-F-001191	K.N	H.O	06.08.02					



RECOMMENDED LAND PATTERN DIMENSION OF P.C.B. (FREE)
△ (METAL MASK THICKNESS: t=0.12)



AA (20:1)



- NOTES
- 6 HATCHED PARTS: GROUND CIRCUIT.
 - SMT LEAD-COPLANARITY: 0.1MAX.
 - THIS PRODUCT HAS NO POLARITY TO PATTERN FOR MOUNTING.
 - DO NOT MOUNT OTHER DEVICES ONTO AREA, OR MATING PAIR CANNOT BE MATED.
 - MAKE SURE WIDTH OF PATTERN IS WITHIN THAT OF LAND, OR LEAD MAY TOUCH PATTERN. (THIS APPLIES TO HATCHED AREA)
 - EMBOSSED CARRIER TAPE PACKAGING SHALL BE APPLIED FOR THIS PRODUCT. SEE NEXT PAGE FOR DETAILS.
 - THE DIMENSIONS IN PARENTHESES ARE FOR REFERENCE.

4	PHOSPHOR BRONZE	TIN-PLATING		2	PHOSPHOR BRONZE	CONTACT AREA: GOLD 0.1μm min. LEAD AREA: GOLD FLASH
3	PHOSPHOR BRONZE	GOLD FLASH	△			UNDER PLATING: NICKEL 1μm min.
1	POLYAMIDE	BLACK UL94V-0				
NO.	MATERIAL	FINISH, REMARKS	NO.	MATERIAL	FINISH, REMARKS	

CODE NO. (OLD)	DRAWN	DESIGNED	CHECKED	APPROVED	RELEASED
	K.NAKAMURA	K.NAKAMURA	H.YAMAGUCHI	H.OKAWA	
	'05.06.30	'05.06.30	'05.07.01	'05.07.01	

SCALE	DRAWING NO.	PART NO.
10 : 1	EDC3-155620	FX12B-24S-0.4SV
UNITS	CODE NO.	
mm	CL573-1006-3	1/2

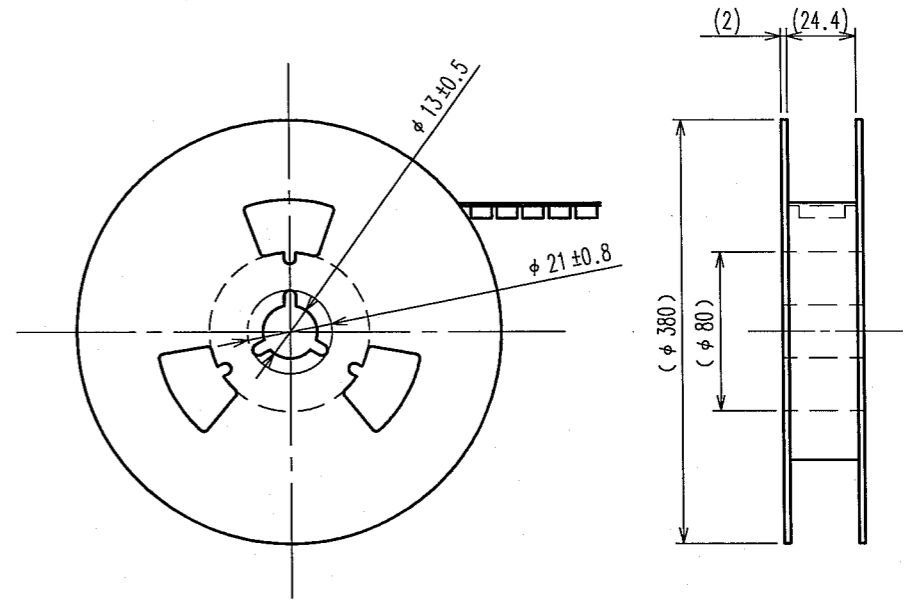
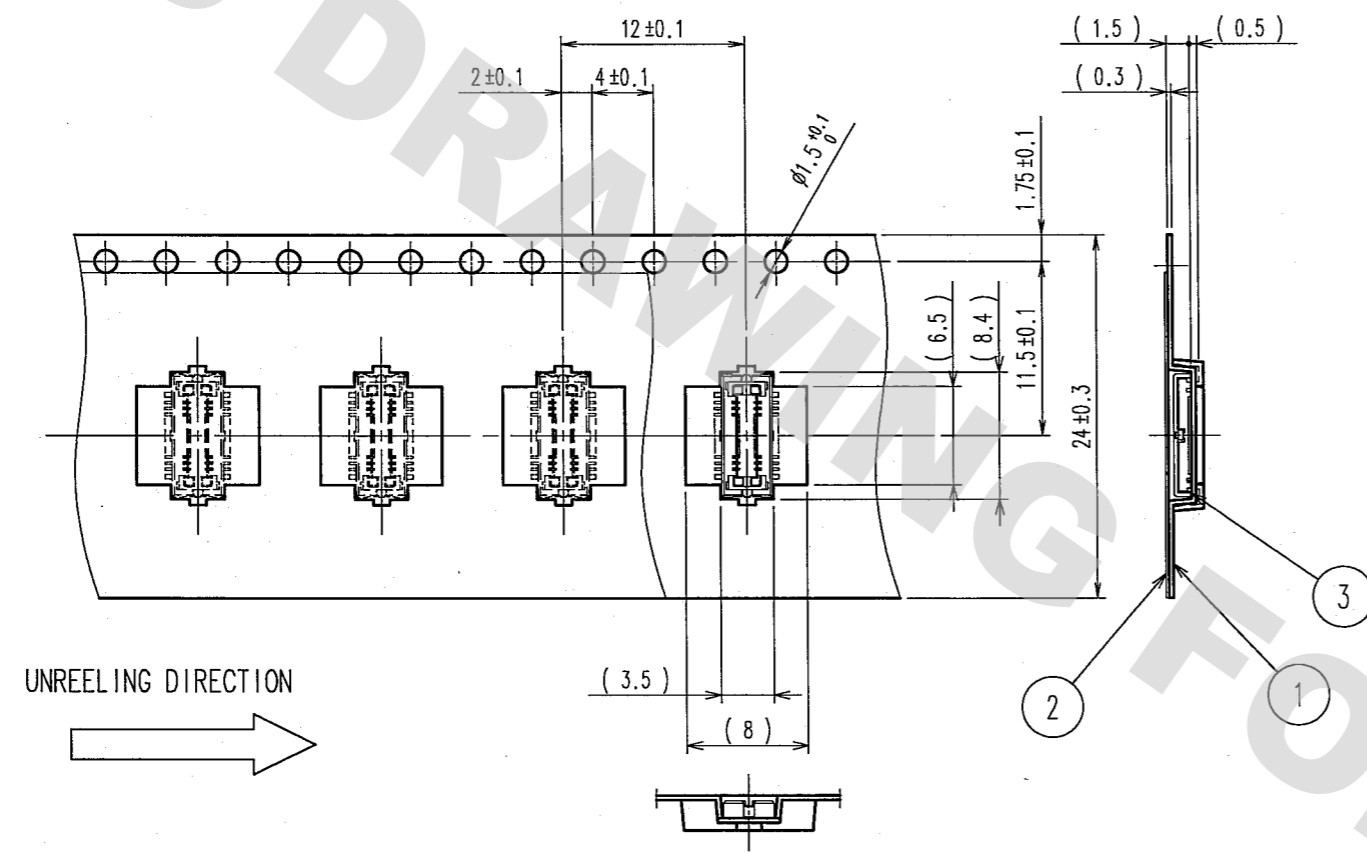


HIROSE ELECTRIC CO., LTD

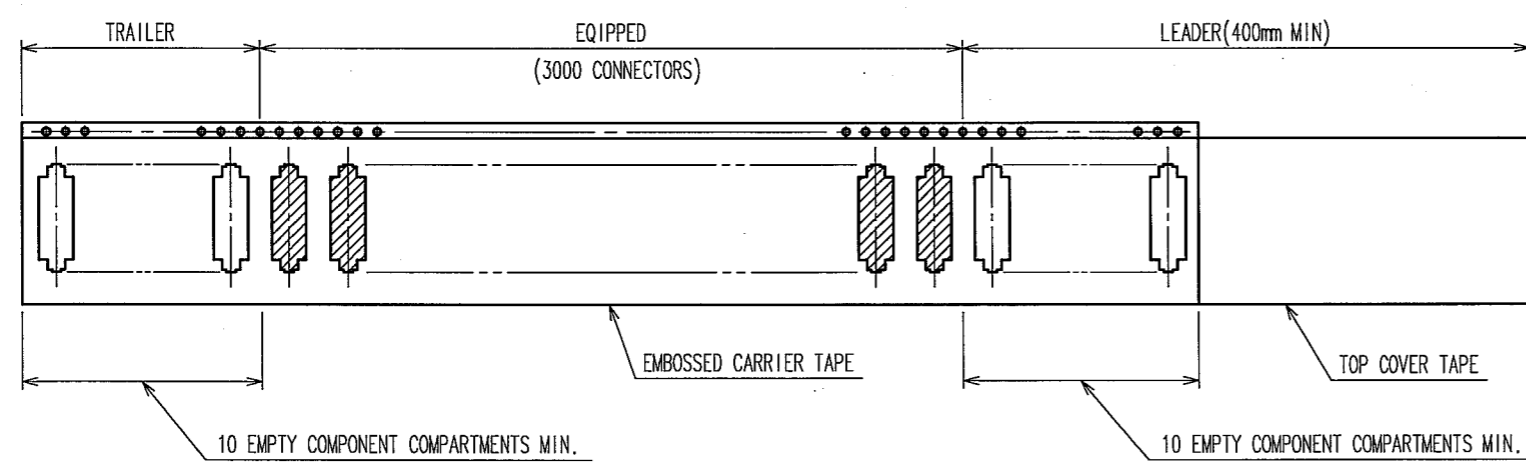
COUNT	DESCRIPTION OF REVISIONS	BY	CHKD	DATE	COUNT	DESCRIPTION OF REVISIONS	BY	CHKD	DATE

HRS DRAWING FOR REFERENCE

REELED DIMENSION (FREE)



NOTE 1. 1 REEL : 3000 CONNECTORS.
 2. THE DIMENSIONS IN PARENTHESES ARE FOR REFERENCE.



2	POLYESTER	(TOP COVER TAPE)	3	(CONNECTOR)			
1	POLYSTYRENE	(EMBOSSED CARRIER TAPE)					
NO.	MATERIAL	FINISH, REMARKS	NO.	MATERIAL	FINISH, REMARKS		
CODE NO. (OLD)			DRAWN	DESIGNED	CHECKED	APPROVED	RELEASED
DRAWING FOR PACKAGING			K.NAKAMURA	K.NAKAMURA	H.YAMAGUCHI	H.OKAWA	
			'05.06.30	'05.06.30	'05.07.01	'05.07.01	
SCALE			DRAWING NO.		PART NO.		
2 : 1			EDC3-155620		FX12B-24S-0.4SV		
UNITS			HRS		CODE NO.		
mm			HIROSE ELECTRIC CO., LTD		CL573-1006-3		

DRAWING FOR REFERENCE: This is subject to change without notice
08/11/2012

TO