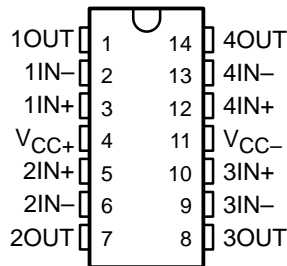


# MC3303, MC3403 QUADRUPLE LOW-POWER OPERATIONAL AMPLIFIERS

SLOS101C – FEBRUARY 1979 – REVISED FEBRUARY 2002

- Wide Range of Supply Voltages, Single Supply . . . 3 V to 36 V or Dual Supplies
- Class AB Output Stage
- True Differential Input Stage
- Low Input Bias Current
- Internal Frequency Compensation
- Short-Circuit Protection
- Designed to Be Interchangeable With Motorola MC3303, MC3403

MC3303 . . . D, N, OR PW PACKAGE  
MC3403 . . . D, DB, N, NS, OR PW PACKAGE  
(TOP VIEW)



## description

The MC3303 and the MC3403 are quadruple operational amplifiers similar in performance to the  $\mu$ A741, but with several distinct advantages. They are designed to operate from a single supply over a range of voltages from 3 V to 36 V. Operation from split supplies also is possible, provided the difference between the two supplies is 3 V to 36 V. The common-mode input range includes the negative supply. Output range is from the negative supply to  $V_{CC} - 1.5$  V. Quiescent supply currents are less than one-half those of the  $\mu$ A741.

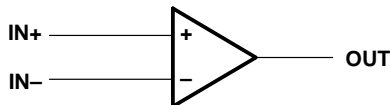
The MC3303 is characterized for operation from  $-40^{\circ}\text{C}$  to  $85^{\circ}\text{C}$ , and the MC3403 is characterized for operation from  $0^{\circ}\text{C}$  to  $70^{\circ}\text{C}$ .

## AVAILABLE OPTIONS

| $T_A$   | $V_{IO\text{MAX}}$<br>AT $25^{\circ}\text{C}$ | PACKAGE                             |   |                       |   |
|---|---|-------------------------------------|---|-----------------------|---|
|   |   | PLASTIC<br>SMALL OUTLINE<br>(D, NS) | PLASTIC SHRINK<br>SMALL OUTLINE<br>(DB) | PLASTIC<br>DIP<br>(N) | PLASTIC<br>THIN SHRINK<br>SMALL OUTLINE<br>(PW) |
| $0^{\circ}\text{C}$ to $70^{\circ}\text{C}$   | 10 mV   | MC3403D<br>MC3403NS                 | MC3403DB                                | MC3403N               | MC3403PW  |
| $-40^{\circ}\text{C}$ to $85^{\circ}\text{C}$ | 8 mV  | MC3303D                             | —                                       | MC3303N               | MC3303PW  |

The D package is available taped and reeled. Add R suffix to the device type (e.g., MC3403DR). The DB, NS, and PW packages are only available taped and reeled.

## logic diagram (each amplifier)



Please be aware that an important notice concerning availability, standard warranty, and use in critical applications of Texas Instruments semiconductor products and disclaimers thereto appears at the end of this data sheet.

PRODUCTION DATA information is current as of publication date. Products conform to specifications per the terms of Texas Instruments standard warranty. Production processing does not necessarily include testing of all parameters.

**TEXAS  
INSTRUMENTS**

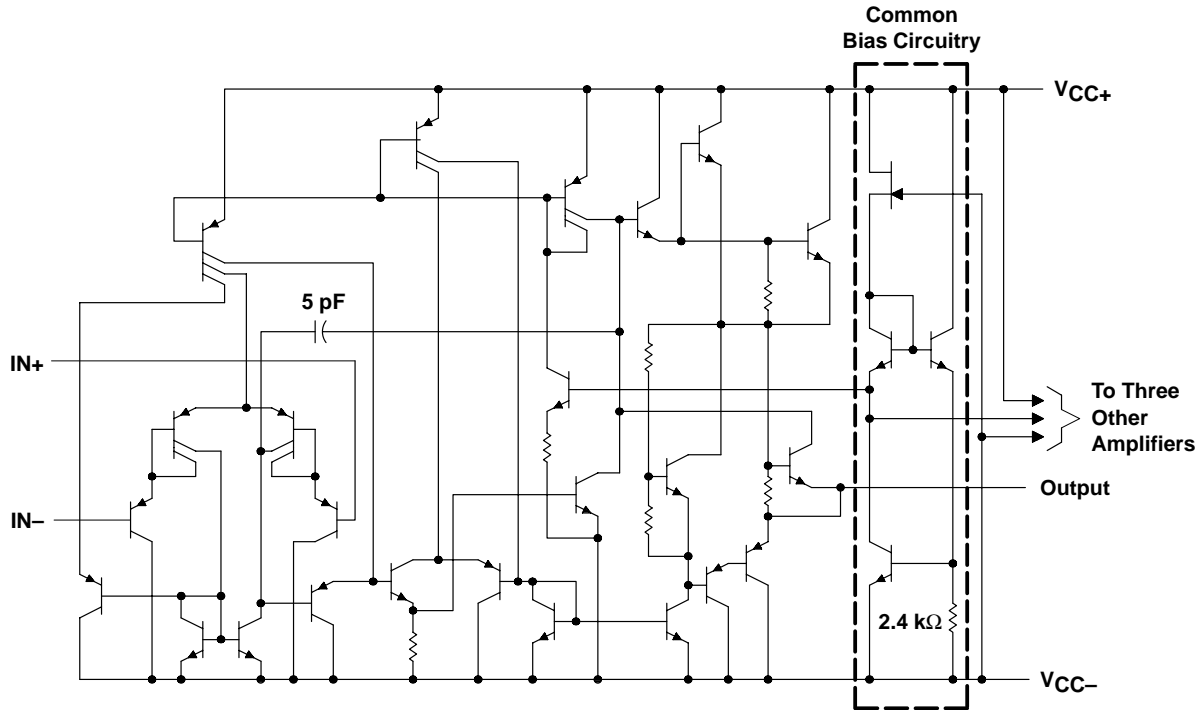
POST OFFICE BOX 655303 • DALLAS, TEXAS 75265

Copyright © 2002, Texas Instruments Incorporated

# MC3303, MC3403 QUADRUPLE LOW-POWER OPERATIONAL AMPLIFIERS

SLOS101C – FEBRUARY 1979 – REVISED FEBRUARY 2002

## schematic (each amplifier)



Component values shown are nominal.

## absolute maximum ratings over operating free-air temperature range (unless otherwise noted)†

|  |                |
|--|----------------|
| Supply voltage (see Note 1): $V_{CC+}$ .....                       | 18 V           |
| $V_{CC-}$ .....  | -18 V          |
| Supply voltage, $V_{CC+}$ with respect to $V_{CC-}$ .....          | 36 V           |
| Differential input voltage (see Note 2) .....                      | $\pm 36$ V     |
| Input voltage (see Notes 1 and 3) .....                            | $\pm 18$ V     |
| Package thermal impedance, $\theta_{JA}$ (see Note 4):             |                |
| D package .....  | 86°C/W         |
| DB package .....   | 96°C/W         |
| N package .....  | 80°C/W         |
| NS package .....   | 76°C/W         |
| PW package .....   | 113°C/W        |
| Lead temperature 1,6 mm (1/16 inch) from case for 10 seconds ..... | 260°C          |
| Storage temperature range, $T_{stg}$ .....                         | -65°C to 150°C |

† Stresses beyond those listed under "absolute maximum ratings" may cause permanent damage to the device. These are stress ratings only, and functional operation of the device at these or any other conditions beyond those indicated under "recommended operating conditions" is not implied. Exposure to absolute-maximum-rated conditions for extended periods may affect device reliability.

- NOTES:
1. These voltage values are with respect to the midpoint between  $V_{CC+}$  and  $V_{CC-}$ .
  2. Differential voltages are at  $IN+$  with respect to  $IN-$ .
  3. Neither input must ever be more positive than  $V_{CC+}$  or more negative than  $V_{CC-}$ .
  4. The package thermal impedance is calculated in accordance with JESD 51-7.

# MC3303, MC3403

## QUADRUPLE LOW-POWER OPERATIONAL AMPLIFIERS

SLOS101C – FEBRUARY 1979 – REVISED FEBRUARY 2002

### recommended operating conditions

|                 |                                | MIN              | MAX  | UNIT |    |
|-----------------|--------------------------------|------------------|------|------|----|
| V <sub>CC</sub> | Supply voltage                 | 5                | 30   | V    |    |
|                 | Dual-supply voltage            | V <sub>CC+</sub> | 2.5  | 15   | V  |
|                 |                                | V <sub>CC-</sub> | -2.5 | -15  | V  |
| T <sub>A</sub>  | Operating free-air temperature | MC3303           | -40  | 85   | °C |
|                 |                                | MC3403           | 0    | 70   |    |

**electrical characteristics at specified free-air temperature, V<sub>CC+</sub> = 14 V, V<sub>CC-</sub> = 0 V for MC3303, V<sub>CC±</sub> = ±15 V for MC3403 (unless otherwise noted)**

| PARAMETER                   | TEST CONDITION†  | MC3303  |            |                        | MC3403                   |                        |                          | UNIT |     |    |
|-----------------------------|--|---|------------|------------------------|--------------------------|------------------------|--------------------------|------|-----|----|
|                             |  | MIN   | TYP        | MAX                    | MIN                      | TYP                    | MAX                      |      |     |    |
| V <sub>IO</sub>             | Input offset voltage   | See Note 5  | 25°C       | 2                      | 8                        | 2                      | 10                       | mV   |     |    |
|                             |  |   |            | Full range             | 10                       | 12                     |                          |      |     |    |
| α <sub>V<sub>IO</sub></sub> | Temperature coefficient of input offset voltage                  | See Note 5  | Full range | 10                     | 10                       | μV/°C                  |                          |      |     |    |
| I <sub>IO</sub>             | Input offset current   | See Note 5  | 25°C       | 30                     | 75                       | 30                     | 50                       | nA   |     |    |
|                             |  |   |            | Full range             | 250                      | 200                    |                          |      |     |    |
| α <sub>I<sub>IO</sub></sub> | Temperature coefficient of input offset current                  | See Note 5  | Full range | 50                     | 50                       | pA/C                   |                          |      |     |    |
| I <sub>IB</sub>             | Input bias current   | See Note 5  | 25°C       | -0.2                   | -0.5                     | -0.2                   | -0.5                     | μA   |     |    |
|                             |  |   |            | Full range             | -1                       | -0.8                   |                          |      |     |    |
| V <sub>ICR</sub>            | Common-mode input voltage range‡                                 |   | 25°C       | V <sub>CC-</sub> to 12 | V <sub>CC-</sub> to 12.5 | V <sub>CC-</sub> to 13 | V <sub>CC-</sub> to 13.5 | V    |     |    |
| V <sub>OM</sub>             | Peak output voltage swing  | R <sub>L</sub> = 10 kΩ  | 25°C       | 12                     | 12.5                     | ±12                    | ±13.5                    | V    |     |    |
|                             |  |   | 25°C       | 10                     | 12                       | ±10                    | ±13                      |      |     |    |
|                             |  |   | Full range | 10                     | ±10                      |                        |                          |      |     |    |
| A <sub>VD</sub>             | Large-signal differential voltage amplification                  | V <sub>O</sub> = ±10 V, R <sub>L</sub> = 2 kΩ                                 | 25°C       | 20                     | 200                      | 20                     | 200                      | V/mV |     |    |
|                             |  |   | Full range | 15                     | 15                       |                        |                          |      |     |    |
| B <sub>OM</sub>             | Maximum-output-swing bandwidth                                   | V <sub>OPP</sub> = 20 V, A <sub>VD</sub> = 1, THD ≤ 5%, R <sub>L</sub> = 2 kΩ | 25°C       | 9                      | 9                        | kHz                    |                          |      |     |    |
| B <sub>1</sub>              | Unity-gain bandwidth   | V <sub>O</sub> = 50 mV, R <sub>L</sub> = 10 kΩ                                | 25°C       | 1                      | 1                        | MHz                    |                          |      |     |    |
| φ <sub>m</sub>              | Phase margin   | C <sub>L</sub> = 200 pF, R <sub>L</sub> = 2 kΩ                                | 25°C       | 60°                    | 60°                      |                        |                          |      |     |    |
| r <sub>i</sub>              | Input resistance   | f = 20 Hz   | 25°C       | 0.3                    | 1                        | 0.3                    | 1                        | MΩ   |     |    |
| r <sub>o</sub>              | Output resistance  | f = 20 Hz   | 25°C       | 75                     | 75                       | Ω                      |                          |      |     |    |
| CMRR                        | Common-mode rejection ratio                                      | V <sub>IC</sub> = V <sub>ICRmin</sub>   | 25°C       | 70                     | 90                       | 70                     | 90                       | dB   |     |    |
| k <sub>SVS</sub>            | Supply voltage sensitivity (ΔV <sub>IO</sub> /ΔV <sub>CC</sub> ) | V <sub>CC±</sub> = ±2.5 to ±15 V  | 25°C       | 30                     | 150                      | 30                     | 150                      | μV/V |     |    |
| I <sub>OS</sub>             | Short-circuit output current§                                    |   | 25°C       | ±10                    | ±30                      | ±45                    | ±10                      | ±30  | ±45 | mA |
| I <sub>CC</sub>             | Total supply current   | No load, See Note 5   | 25°C       | 2.8                    | 7                        | 2.8                    | 7                        | mA   |     |    |

† All characteristics are measured under open-loop conditions with zero common-mode voltage unless otherwise specified. Full range for T<sub>A</sub> is -40°C to 85°C for MC3303, and 0°C to 70°C for MC3403.

‡ The V<sub>ICR</sub> limits are linked directly, volt-for-volt, to supply voltage; the positive limit is 2 V less than V<sub>CC+</sub>.

§ Temperature and/or supply voltages must be limited to ensure that the dissipation rating is not exceeded.

NOTE 5: V<sub>IO</sub>, I<sub>IO</sub>, I<sub>IB</sub>, and I<sub>CC</sub> are defined at V<sub>O</sub> = 0 for MC3403 and V<sub>O</sub> = 7 V for MC3303.



# MC3303, MC3403 QUADRUPLE LOW-POWER OPERATIONAL AMPLIFIERS

SLOS101C – FEBRUARY 1979 – REVISED FEBRUARY 2002

electrical characteristics,  $V_{CC+} = 5\text{ V}$ ,  $V_{CC-} = 0\text{ V}$ ,  $T_A = 25^\circ\text{C}$  (unless otherwise noted)

| PARAMETER       | TEST CONDITIONS†  | MC3303   |     |     | MC3403          |      |                 | UNIT            |      |
|-----------------|---|--|-----|-----|-----------------|------|-----------------|-----------------|------|
|                 |   | MIN  | TYP | MAX | MIN             | TYP  | MAX             |                 |      |
| $V_{IO}$        | Input offset voltage  | $V_O = 2.5\text{ V}$   |     |     | 10              | 2    | 10              | mV              |      |
| $I_{IO}$        | Input offset current  | $V_O = 2.5\text{ V}$   |     |     | 75              | 30   | 50              | nA              |      |
| $I_{IB}$        | Input bias current  | $V_O = 2.5\text{ V}$   |     |     | -0.5            | -0.2 | -0.5            | $\mu\text{A}$   |      |
| $V_{OM}$        | Peak output voltage swing‡                                      | $R_L = 10\text{ k}\Omega$  |     |     | 3.3             | 3.5  | 3.3             | 3.5             | V    |
|                 |   | $R_L = 10\text{ k}\Omega$ ,<br>$V_{CC+} = 5\text{ V to }30\text{ V}$ |     |     | $V_{CC+} - 1.7$ |      | $V_{CC+} - 1.7$ |                 |      |
| $A_{VD}$        | Large-signal differential voltage amplification                 | $V_O = 1.7\text{ V to }3.3\text{ V}$ , $R_L = 2\text{ k}\Omega$      |     |     | 20              | 200  | 20              | 200             | V/mV |
| $k_{SVS}$       | Supply-voltage sensitivity ( $\Delta V_{IO}/\Delta V_{CC\pm}$ ) | $V_{CC\pm} = \pm 2.5\text{ V to } \pm 15\text{ V}$                   |     |     | 150             |      |                 | $\mu\text{V/V}$ |      |
| $I_{CC}$        | Supply current  | $V_O = 2.5\text{ V}$ , No load                                       |     |     | 2.5             | 7    | 2.5             | 7               | mA   |
| $V_{O1}/V_{O2}$ | Crosstalk attenuation   | $f = 1\text{ kHz to }20\text{ kHz}$                                  |     |     | 120             |      | 120             |                 | dB   |

† All characteristics are measured under open-loop conditions with zero common-mode input voltage unless otherwise specified.

‡ Output will swing essentially to ground.

operating characteristics,  $V_{CC+} = 14\text{ V}$ ,  $V_{CC-} = 0\text{ V}$  for MC3303,  $V_{CC\pm} = \pm 15\text{ V}$  for MC3403,  $T_A = 25^\circ\text{C}$ ,  $A_{VD} = 1$  (unless otherwise noted)

| PARAMETER | TEST CONDITIONS         |                               |                          |                             | TYP          | UNIT |                  |
|-----------|-------------------------|-------------------------------|--------------------------|-----------------------------|--------------|------|------------------|
| SR        | Slew rate at unity gain | $V_I = \pm 10\text{ V}$ ,     | $C_L = 100\text{ pF}$ ,  | $R_L = 2\text{ k}\Omega$ ,  | See Figure 1 | 0.6  | V/ $\mu\text{s}$ |
| $t_r$     | Rise time               | $\Delta V_O = 50\text{ mV}$ , | $C_L = 100\text{ pF}$ ,  | $R_L = 10\text{ k}\Omega$ , | See Figure 1 | 0.35 | $\mu\text{s}$    |
| $t_f$     | Fall time               | $\Delta V_O = 50\text{ mV}$ , | $C_L = 100\text{ pF}$ ,  | $R_L = 10\text{ k}\Omega$ , | See Figure 1 | 0.35 | $\mu\text{s}$    |
|           | Overshoot factor        | $\Delta V_O = 50\text{ mV}$ , | $C_L = 100\text{ pF}$ ,  | $R_L = 10\text{ k}\Omega$ , | See Figure 1 | 20   | %                |
|           | Crossover distortion    | $V_I(PP) = 30\text{ mV}$ ,    | $V_{OPP} = 2\text{ V}$ , | $f = 10\text{ kHz}$         |              | 1    | %                |

## PARAMETER MEASUREMENT INFORMATION

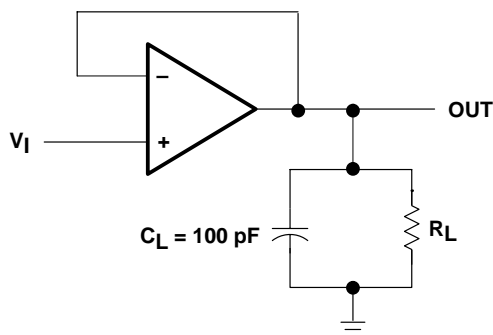


Figure 1. Unity-Gain Amplifier

TYPICAL CHARACTERISTICS†

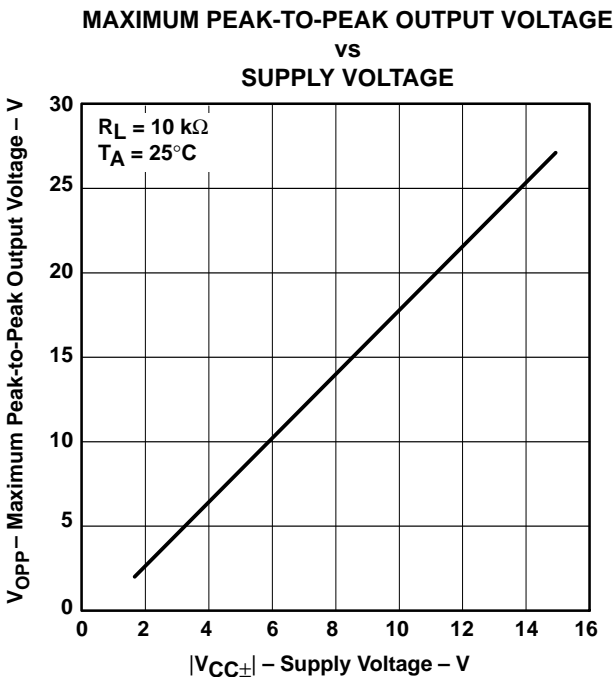


Figure 2

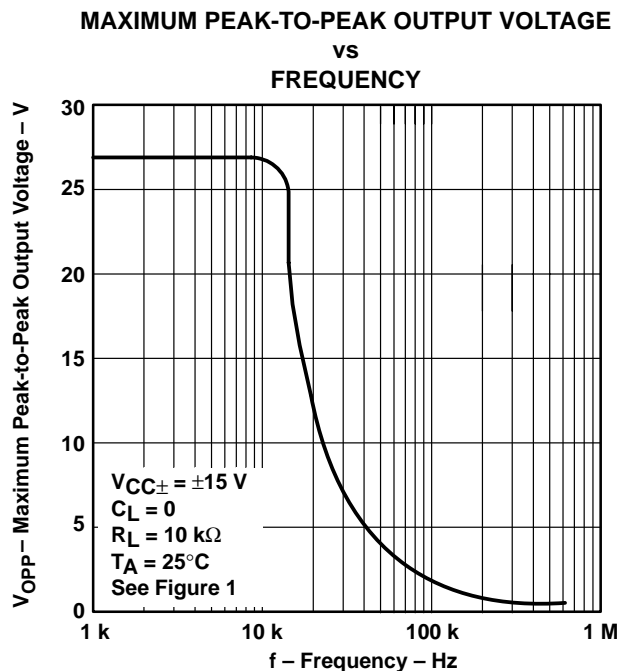


Figure 3

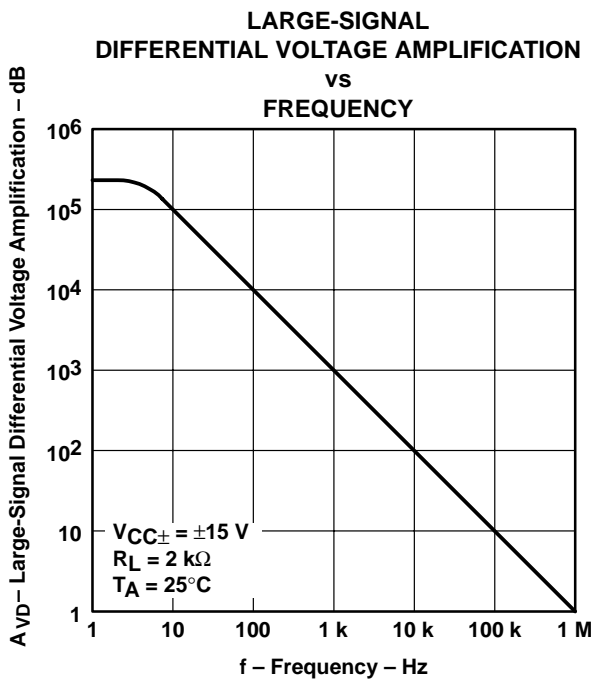


Figure 4

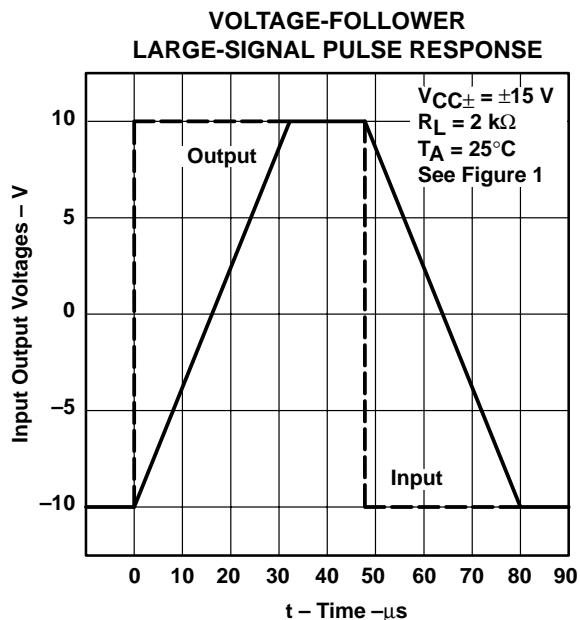


Figure 5

† Operation of the device at these or any other conditions beyond those indicated under "recommended operating conditions" is not implied.

# MC3303, MC3403 QUADRUPLE LOW-POWER OPERATIONAL AMPLIFIERS

SLOS101C – FEBRUARY 1979 – REVISED FEBRUARY 2002

## TYPICAL CHARACTERISTICS†

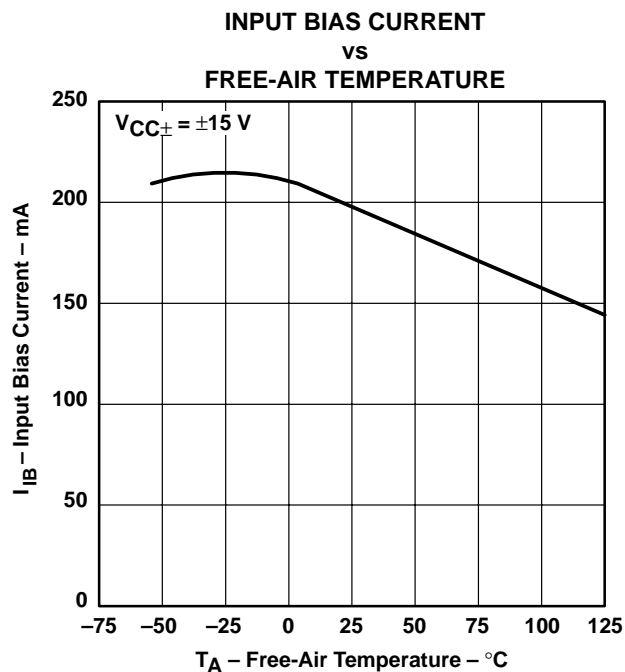


Figure 6

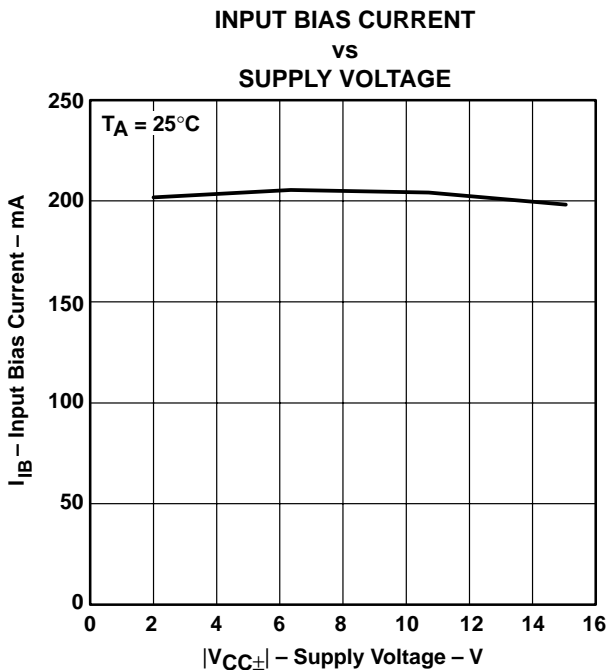


Figure 7

† Operation of the device at these or any other conditions beyond those indicated under "recommended operating conditions" is not implied.

**PACKAGING INFORMATION**

| Orderable Device | Status<br>(1) | Package Type | Package<br>Drawing | Pins | Package<br>Qty | Eco Plan<br>(2)            | Lead/Ball Finish<br>(6) | MSL Peak Temp<br>(3) | Op Temp (°C) | Device Marking<br>(4/5) | Samples                 |
|------------------|---------------|--------------|--------------------|------|----------------|----------------------------|-------------------------|----------------------|--------------|-------------------------|-------------------------|
| MC3303D          | ACTIVE        | SOIC         | D                  | 14   | 50             | Green (RoHS<br>& no Sb/Br) | CU NIPDAU               | Level-1-260C-UNLIM   | -40 to 85    | MC3303                  | <a href="#">Samples</a> |
| MC3303DG4        | ACTIVE        | SOIC         | D                  | 14   | 50             | Green (RoHS<br>& no Sb/Br) | CU NIPDAU               | Level-1-260C-UNLIM   | -40 to 85    | MC3303                  | <a href="#">Samples</a> |
| MC3303DR         | ACTIVE        | SOIC         | D                  | 14   | 2500           | Green (RoHS<br>& no Sb/Br) | CU NIPDAU               | Level-1-260C-UNLIM   | -40 to 85    | MC3303                  | <a href="#">Samples</a> |
| MC3303N          | ACTIVE        | PDIP         | N                  | 14   | 25             | Pb-Free<br>(RoHS)          | CU NIPDAU               | N / A for Pkg Type   | -40 to 85    | MC3303N                 | <a href="#">Samples</a> |
| MC3303NE4        | ACTIVE        | PDIP         | N                  | 14   | 25             | Pb-Free<br>(RoHS)          | CU NIPDAU               | N / A for Pkg Type   | -40 to 85    | MC3303N                 | <a href="#">Samples</a> |
| MC3303PW         | ACTIVE        | TSSOP        | PW                 | 14   | 90             | Green (RoHS<br>& no Sb/Br) | CU NIPDAU               | Level-1-260C-UNLIM   | -40 to 85    | M3303                   | <a href="#">Samples</a> |
| MC3303PWR        | ACTIVE        | TSSOP        | PW                 | 14   | 2000           | Green (RoHS<br>& no Sb/Br) | CU NIPDAU               | Level-1-260C-UNLIM   | -40 to 85    | M3303                   | <a href="#">Samples</a> |
| MC3303PWRE4      | ACTIVE        | TSSOP        | PW                 | 14   | 2000           | Green (RoHS<br>& no Sb/Br) | CU NIPDAU               | Level-1-260C-UNLIM   | -40 to 85    | M3303                   | <a href="#">Samples</a> |
| MC3403D          | ACTIVE        | SOIC         | D                  | 14   | 50             | Green (RoHS<br>& no Sb/Br) | CU NIPDAU               | Level-1-260C-UNLIM   | 0 to 70      | MC3403                  | <a href="#">Samples</a> |
| MC3403DG4        | ACTIVE        | SOIC         | D                  | 14   | 50             | Green (RoHS<br>& no Sb/Br) | CU NIPDAU               | Level-1-260C-UNLIM   | 0 to 70      | MC3403                  | <a href="#">Samples</a> |
| MC3403DR         | ACTIVE        | SOIC         | D                  | 14   | 2500           | Green (RoHS<br>& no Sb/Br) | CU NIPDAU               | Level-1-260C-UNLIM   | 0 to 70      | MC3403                  | <a href="#">Samples</a> |
| MC3403N          | ACTIVE        | PDIP         | N                  | 14   | 25             | Pb-Free<br>(RoHS)          | CU NIPDAU               | N / A for Pkg Type   | 0 to 70      | MC3403N                 | <a href="#">Samples</a> |
| MC3403NE4        | ACTIVE        | PDIP         | N                  | 14   | 25             | Pb-Free<br>(RoHS)          | CU NIPDAU               | N / A for Pkg Type   | 0 to 70      | MC3403N                 | <a href="#">Samples</a> |
| MC3403NSLE       | OBSOLETE      | SO           | NS                 | 14   |                | TBD                        | Call TI                 | Call TI              | 0 to 70      |                         |                         |
| MC3403NSR        | ACTIVE        | SO           | NS                 | 14   | 2000           | Green (RoHS<br>& no Sb/Br) | CU NIPDAU               | Level-1-260C-UNLIM   | 0 to 70      | MC3403                  | <a href="#">Samples</a> |
| MC3403PWR        | ACTIVE        | TSSOP        | PW                 | 14   | 2000           | Green (RoHS<br>& no Sb/Br) | CU NIPDAU               | Level-1-260C-UNLIM   | 0 to 70      | M3403                   | <a href="#">Samples</a> |
| MC3403PWRE4      | ACTIVE        | TSSOP        | PW                 | 14   | 2000           | Green (RoHS<br>& no Sb/Br) | CU NIPDAU               | Level-1-260C-UNLIM   | 0 to 70      | M3403                   | <a href="#">Samples</a> |

(1) The marketing status values are defined as follows:

**ACTIVE:** Product device recommended for new designs.

**LIFEBUY:** TI has announced that the device will be discontinued, and a lifetime-buy period is in effect.

**NRND:** Not recommended for new designs. Device is in production to support existing customers, but TI does not recommend using this part in a new design.

**PREVIEW:** Device has been announced but is not in production. Samples may or may not be available.

**OBSOLETE:** TI has discontinued the production of the device.

(2) Eco Plan - The planned eco-friendly classification: Pb-Free (RoHS), Pb-Free (RoHS Exempt), or Green (RoHS & no Sb/Br) - please check <http://www.ti.com/productcontent> for the latest availability information and additional product content details.

**TBD:** The Pb-Free/Green conversion plan has not been defined.

**Pb-Free (RoHS):** TI's terms "Lead-Free" or "Pb-Free" mean semiconductor products that are compatible with the current RoHS requirements for all 6 substances, including the requirement that lead not exceed 0.1% by weight in homogeneous materials. Where designed to be soldered at high temperatures, TI Pb-Free products are suitable for use in specified lead-free processes.

**Pb-Free (RoHS Exempt):** This component has a RoHS exemption for either 1) lead-based flip-chip solder bumps used between the die and package, or 2) lead-based die adhesive used between the die and leadframe. The component is otherwise considered Pb-Free (RoHS compatible) as defined above.

**Green (RoHS & no Sb/Br):** TI defines "Green" to mean Pb-Free (RoHS compatible), and free of Bromine (Br) and Antimony (Sb) based flame retardants (Br or Sb do not exceed 0.1% by weight in homogeneous material)

(3) MSL, Peak Temp. - The Moisture Sensitivity Level rating according to the JEDEC industry standard classifications, and peak solder temperature.

(4) There may be additional marking, which relates to the logo, the lot trace code information, or the environmental category on the device.

(5) Multiple Device Markings will be inside parentheses. Only one Device Marking contained in parentheses and separated by a "~" will appear on a device. If a line is indented then it is a continuation of the previous line and the two combined represent the entire Device Marking for that device.

(6) Lead/Ball Finish - Orderable Devices may have multiple material finish options. Finish options are separated by a vertical ruled line. Lead/Ball Finish values may wrap to two lines if the finish value exceeds the maximum column width.

**Important Information and Disclaimer:** The information provided on this page represents TI's knowledge and belief as of the date that it is provided. TI bases its knowledge and belief on information provided by third parties, and makes no representation or warranty as to the accuracy of such information. Efforts are underway to better integrate information from third parties. TI has taken and continues to take reasonable steps to provide representative and accurate information but may not have conducted destructive testing or chemical analysis on incoming materials and chemicals. TI and TI suppliers consider certain information to be proprietary, and thus CAS numbers and other limited information may not be available for release.

In no event shall TI's liability arising out of such information exceed the total purchase price of the TI part(s) at issue in this document sold by TI to Customer on an annual basis.

## TAPE AND REEL INFORMATION



### QUADRANT ASSIGNMENTS FOR PIN 1 ORIENTATION IN TAPE



\*All dimensions are nominal

| Device    | Package Type | Package Drawing | Pins | SPQ  | Reel Diameter (mm) | Reel Width W1 (mm) | A0 (mm) | B0 (mm) | K0 (mm) | P1 (mm) | W (mm) | Pin1 Quadrant |
|-----------|--------------|-----------------|------|------|--------------------|--------------------|---------|---------|---------|---------|--------|---------------|
| MC3303PWR | TSSOP        | PW              | 14   | 2000 | 330.0              | 12.4               | 6.9     | 5.6     | 1.6     | 8.0     | 12.0   | Q1            |
| MC3403DR  | SOIC         | D               | 14   | 2500 | 330.0              | 16.4               | 6.5     | 9.0     | 2.1     | 8.0     | 16.0   | Q1            |
| MC3403DR  | SOIC         | D               | 14   | 2500 | 330.0              | 16.4               | 6.5     | 9.0     | 2.1     | 8.0     | 16.0   | Q1            |
| MC3403NSR | SO           | NS              | 14   | 2000 | 330.0              | 16.4               | 8.2     | 10.5    | 2.5     | 12.0    | 16.0   | Q1            |
| MC3403PWR | TSSOP        | PW              | 14   | 2000 | 330.0              | 12.4               | 6.9     | 5.6     | 1.6     | 8.0     | 12.0   | Q1            |

**TAPE AND REEL BOX DIMENSIONS**


\*All dimensions are nominal

| Device    | Package Type | Package Drawing | Pins | SPQ  | Length (mm) | Width (mm) | Height (mm) |
|-----------|--------------|-----------------|------|------|-------------|------------|-------------|
| MC3303PWR | TSSOP        | PW              | 14   | 2000 | 367.0       | 367.0      | 35.0        |
| MC3403DR  | SOIC         | D               | 14   | 2500 | 367.0       | 367.0      | 38.0        |
| MC3403DR  | SOIC         | D               | 14   | 2500 | 333.2       | 345.9      | 28.6        |
| MC3403NSR | SO           | NS              | 14   | 2000 | 367.0       | 367.0      | 38.0        |
| MC3403PWR | TSSOP        | PW              | 14   | 2000 | 367.0       | 367.0      | 35.0        |

N (R-PDIP-T\*\*)

PLASTIC DUAL-IN-LINE PACKAGE

16 PINS SHOWN



- NOTES:
- A. All linear dimensions are in inches (millimeters).
  - B. This drawing is subject to change without notice.
  - Falls within JEDEC MS-001, except 18 and 20 pin minimum body length (Dim A).
  - The 20 pin end lead shoulder width is a vendor option, either half or full width.



D (R-PDSO-G14)

PLASTIC SMALL OUTLINE



4211283-3/E 08/12

- NOTES:
- All linear dimensions are in millimeters.
  - This drawing is subject to change without notice.
  - Publication IPC-7351 is recommended for alternate designs.
  - Laser cutting apertures with trapezoidal walls and also rounding corners will offer better paste release. Customers should contact their board assembly site for stencil design recommendations. Refer to IPC-7525 for other stencil recommendations.
  - Customers should contact their board fabrication site for solder mask tolerances between and around signal pads.

PW (R-PDSO-G14)

PLASTIC SMALL OUTLINE

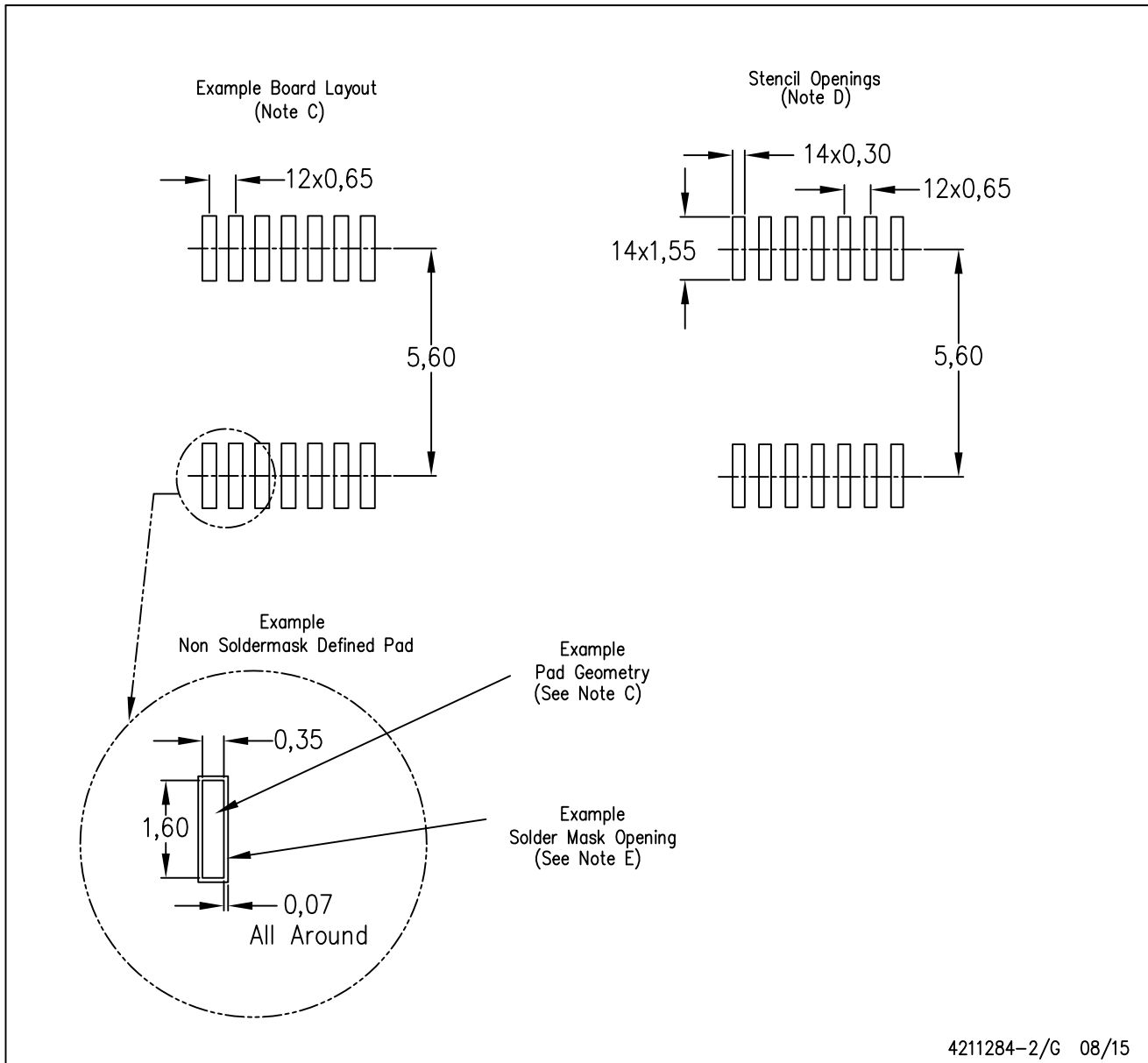


4040064-3/G 02/11

- NOTES:
- A. All linear dimensions are in millimeters. Dimensioning and tolerancing per ASME Y14.5M-1994.
  - B. This drawing is subject to change without notice.
  -  Body length does not include mold flash, protrusions, or gate burrs. Mold flash, protrusions, or gate burrs shall not exceed 0,15 each side.
  -  Body width does not include interlead flash. Interlead flash shall not exceed 0,25 each side.
  - E. Falls within JEDEC MO-153

PW (R-PDSO-G14)

PLASTIC SMALL OUTLINE



4211284-2/G 08/15

- NOTES:
- All linear dimensions are in millimeters.
  - This drawing is subject to change without notice.
  - Publication IPC-7351 is recommended for alternate designs.
  - Laser cutting apertures with trapezoidal walls and also rounding corners will offer better paste release. Customers should contact their board assembly site for stencil design recommendations. Refer to IPC-7525 for other stencil recommendations.
  - Customers should contact their board fabrication site for solder mask tolerances between and around signal pads.

# MECHANICAL DATA

NS (R-PDSO-G\*\*)

PLASTIC SMALL-OUTLINE PACKAGE

14-PINS SHOWN



- NOTES:
- A. All linear dimensions are in millimeters.
  - B. This drawing is subject to change without notice.
  - C. Body dimensions do not include mold flash or protrusion, not to exceed 0,15.

## IMPORTANT NOTICE

Texas Instruments Incorporated and its subsidiaries (TI) reserve the right to make corrections, enhancements, improvements and other changes to its semiconductor products and services per JESD46, latest issue, and to discontinue any product or service per JESD48, latest issue. Buyers should obtain the latest relevant information before placing orders and should verify that such information is current and complete. All semiconductor products (also referred to herein as "components") are sold subject to TI's terms and conditions of sale supplied at the time of order acknowledgment.

TI warrants performance of its components to the specifications applicable at the time of sale, in accordance with the warranty in TI's terms and conditions of sale of semiconductor products. Testing and other quality control techniques are used to the extent TI deems necessary to support this warranty. Except where mandated by applicable law, testing of all parameters of each component is not necessarily performed.

TI assumes no liability for applications assistance or the design of Buyers' products. Buyers are responsible for their products and applications using TI components. To minimize the risks associated with Buyers' products and applications, Buyers should provide adequate design and operating safeguards.

TI does not warrant or represent that any license, either express or implied, is granted under any patent right, copyright, mask work right, or other intellectual property right relating to any combination, machine, or process in which TI components or services are used. Information published by TI regarding third-party products or services does not constitute a license to use such products or services or a warranty or endorsement thereof. Use of such information may require a license from a third party under the patents or other intellectual property of the third party, or a license from TI under the patents or other intellectual property of TI.

Reproduction of significant portions of TI information in TI data books or data sheets is permissible only if reproduction is without alteration and is accompanied by all associated warranties, conditions, limitations, and notices. TI is not responsible or liable for such altered documentation. Information of third parties may be subject to additional restrictions.

Resale of TI components or services with statements different from or beyond the parameters stated by TI for that component or service voids all express and any implied warranties for the associated TI component or service and is an unfair and deceptive business practice. TI is not responsible or liable for any such statements.

Buyer acknowledges and agrees that it is solely responsible for compliance with all legal, regulatory and safety-related requirements concerning its products, and any use of TI components in its applications, notwithstanding any applications-related information or support that may be provided by TI. Buyer represents and agrees that it has all the necessary expertise to create and implement safeguards which anticipate dangerous consequences of failures, monitor failures and their consequences, lessen the likelihood of failures that might cause harm and take appropriate remedial actions. Buyer will fully indemnify TI and its representatives against any damages arising out of the use of any TI components in safety-critical applications.

In some cases, TI components may be promoted specifically to facilitate safety-related applications. With such components, TI's goal is to help enable customers to design and create their own end-product solutions that meet applicable functional safety standards and requirements. Nonetheless, such components are subject to these terms.

No TI components are authorized for use in FDA Class III (or similar life-critical medical equipment) unless authorized officers of the parties have executed a special agreement specifically governing such use.

Only those TI components which TI has specifically designated as military grade or "enhanced plastic" are designed and intended for use in military/aerospace applications or environments. Buyer acknowledges and agrees that any military or aerospace use of TI components which have **not** been so designated is solely at the Buyer's risk, and that Buyer is solely responsible for compliance with all legal and regulatory requirements in connection with such use.

TI has specifically designated certain components as meeting ISO/TS16949 requirements, mainly for automotive use. In any case of use of non-designated products, TI will not be responsible for any failure to meet ISO/TS16949.

### Products

|                              |  |
|------------------------------|--|
| Audio                        | <a href="http://www.ti.com/audio">www.ti.com/audio</a>                               |
| Amplifiers                   | <a href="http://amplifier.ti.com">amplifier.ti.com</a>                               |
| Data Converters              | <a href="http://dataconverter.ti.com">dataconverter.ti.com</a>                       |
| DLP® Products                | <a href="http://www.dlp.com">www.dlp.com</a>   |
| DSP                          | <a href="http://dsp.ti.com">dsp.ti.com</a>   |
| Clocks and Timers            | <a href="http://www.ti.com/clocks">www.ti.com/clocks</a>                             |
| Interface                    | <a href="http://interface.ti.com">interface.ti.com</a>                               |
| Logic                        | <a href="http://logic.ti.com">logic.ti.com</a>                                       |
| Power Mgmt                   | <a href="http://power.ti.com">power.ti.com</a>                                       |
| Microcontrollers             | <a href="http://microcontroller.ti.com">microcontroller.ti.com</a>                   |
| RFID                         | <a href="http://www.ti-rfid.com">www.ti-rfid.com</a>                                 |
| OMAP Applications Processors | <a href="http://www.ti.com/omap">www.ti.com/omap</a>                                 |
| Wireless Connectivity        | <a href="http://www.ti.com/wirelessconnectivity">www.ti.com/wirelessconnectivity</a> |

### Applications

|                               |  |
|-------------------------------|--|
| Automotive and Transportation | <a href="http://www.ti.com/automotive">www.ti.com/automotive</a>                         |
| Communications and Telecom    | <a href="http://www.ti.com/communications">www.ti.com/communications</a>                 |
| Computers and Peripherals     | <a href="http://www.ti.com/computers">www.ti.com/computers</a>                           |
| Consumer Electronics          | <a href="http://www.ti.com/consumer-apps">www.ti.com/consumer-apps</a>                   |
| Energy and Lighting           | <a href="http://www.ti.com/energy">www.ti.com/energy</a>                                 |
| Industrial                    | <a href="http://www.ti.com/industrial">www.ti.com/industrial</a>                         |
| Medical                       | <a href="http://www.ti.com/medical">www.ti.com/medical</a>                               |
| Security                      | <a href="http://www.ti.com/security">www.ti.com/security</a>                             |
| Space, Avionics and Defense   | <a href="http://www.ti.com/space-avionics-defense">www.ti.com/space-avionics-defense</a> |
| Video and Imaging             | <a href="http://www.ti.com/video">www.ti.com/video</a>                                   |

### TI E2E Community

[e2e.ti.com](http://e2e.ti.com)