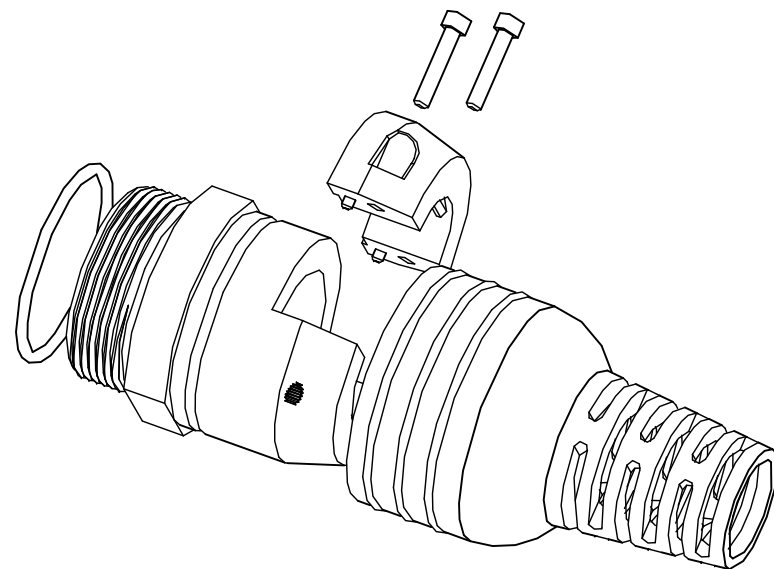
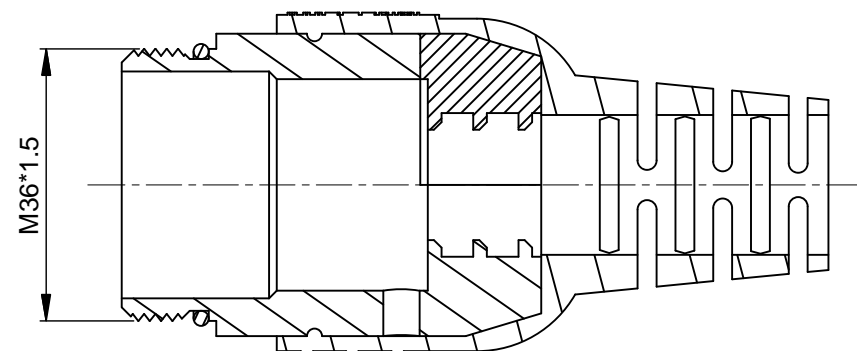
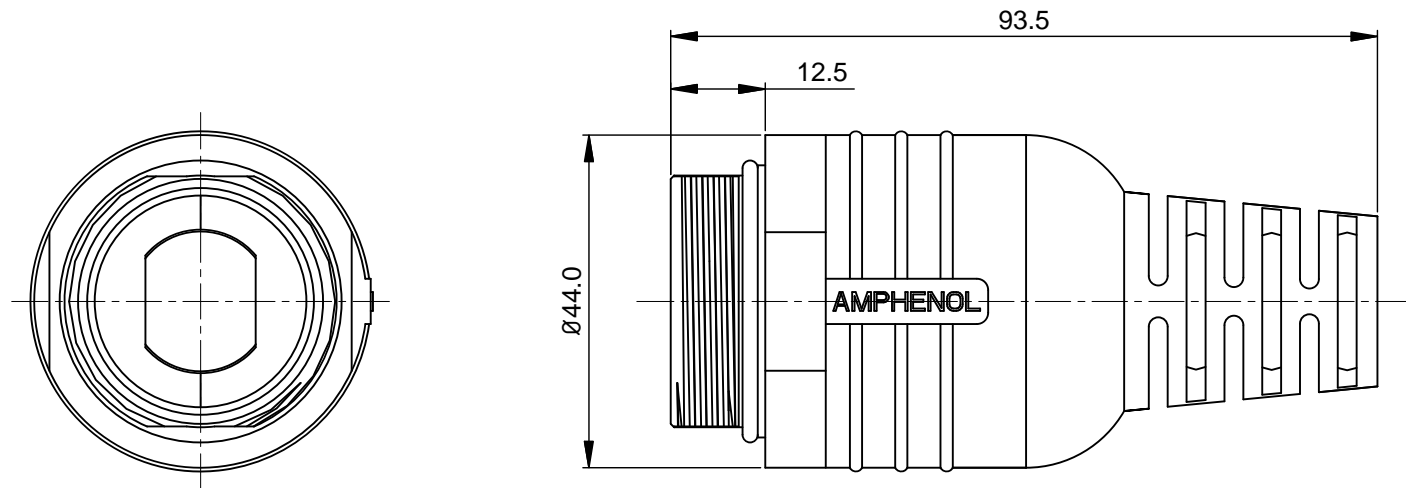


REVISIONS					
REV	ECO	DESCRIPTION	DATE	BY	APPR
A1	-	FIRST RELEASE	May.15,2015	Drack	TOMMY



NOTES: UNLESS OTHERWISE SPECIFIED

- MATERIAL:
 BOOT: THERMOPLASTIC ELASTOMER
 SEAL: VITON
 HOUSING BODY: ZINC DIE CAST, NICKEL PLATED
- SPECIFICATIONS:
 2.1 DEGREE OF PROTECTION: IP67 (MATED CONDITION)
 2.2 RoHS COMPLIANT
 2.3 CABLE OD RANGE:17.5~18.5mm
- ALL DIMENSIONS ARE FOR REFERENCE USE ONLY.

TITLE: M40,CORD GRIP,17.5-18.5mm

DWG NO: MC4FSR-C18.5

REV: A1

SH: 1

OF: 1

QUANTITY	SEE PART NUMBER CHART PART NUMBER	DESCRIPTION	ITEM
MATERIALS LIST			
UNLESS OTHERWISE SPECIFIED 1) All dimensions are in metric(mm). 2) Tolerances are as follows: 1 PL DEC ±0.30 2 PL DEC ±0.15 3 PL DEC ±0.08 Fractions ±1/64 Angles ±1° 3) Note reference =		SIGNATURES DRAWN: Drack CHECKED: ENGINEER: APPROVAL: DATE: May.15,2015	Amphenol Sine Systems - www.amphenol-sine.com 44724 Morley Drive Clinton Township, MI 48036
MATERIAL SPECIFICATIONS:		CUSTOMER:	M40,CORD GRIP,17.5~18.5mm
PROCESS SPECIFICATIONS:		THIS DRAWING IS SUPPLIED FOR INFORMATION ONLY. DESIGN FEATURES, SPECIFICATIONS AND PERFORMANCE DATA SHOWN HEREON ARE THE PROPERTY OF THE AMPHENOL CORPORATION. NO RIGHTS OF REPRODUCTION ARE IMPLIED. ALL DIMENSIONS ARE SUBJECT TO NORMAL MANUFACTURING VARIATIONS.	
NEXT ASSY:		SIZE: B TYPE: C- SCALE: NONE	DWG NO: MC4FSR-C18.5 REVISION: A1 SHEET 1 OF 1