

MSP430F552x, MSP430F551x Mixed-Signal Microcontrollers

1 Device Overview

1.1 Features

- Low Supply Voltage Range:
3.6 V Down to 1.8 V
- Ultra-Low Power Consumption
 - Active Mode (AM):
 - All System Clocks Active:
 - 290 μ A/MHz at 8 MHz, 3.0 V, Flash Program Execution (Typical)
 - 150 μ A/MHz at 8 MHz, 3.0 V, RAM Program Execution (Typical)
 - Standby Mode (LPM3):
 - Real-Time Clock (RTC) With Crystal, Watchdog, and Supply Supervisor Operational, Full RAM Retention, Fast Wake up:
 - 1.9 μ A at 2.2 V, 2.1 μ A at 3.0 V (Typical)
 - Low-Power Oscillator (VLO), General-Purpose Counter, Watchdog, and Supply Supervisor Operational, Full RAM Retention, Fast Wake up:
 - 1.4 μ A at 3.0 V (Typical)
 - Off Mode (LPM4):
 - Full RAM Retention, Supply Supervisor Operational, Fast Wake up:
 - 1.1 μ A at 3.0 V (Typical)
 - Shutdown Mode (LPM4.5):
 - 0.18 μ A at 3.0 V (Typical)
- Wake up From Standby Mode in 3.5 μ s (Typical)
- 16-Bit RISC Architecture, Extended Memory, up to 25-MHz System Clock
- Flexible Power Management System
 - Fully Integrated LDO With Programmable Regulated Core Supply Voltage
 - Supply Voltage Supervision, Monitoring, and Brownout
- Unified Clock System
 - FLL Control Loop for Frequency Stabilization
 - Low-Power Low-Frequency Internal Clock Source (VLO)
 - Low-Frequency Trimmed Internal Reference Source (REFO)
 - 32-kHz Watch Crystals (XT1)
 - High-Frequency Crystals up to 32 MHz (XT2)
- 16-Bit Timer TA0, Timer_A With Five Capture/Compare Registers
- 16-Bit Timer TA1, Timer_A With Three Capture/Compare Registers
- 16-Bit Timer TA2, Timer_A With Three Capture/Compare Registers
- 16-Bit Timer TB0, Timer_B With Seven Capture/Compare Shadow Registers
- Two Universal Serial Communication Interfaces
 - USCI_A0 and USCI_A1 Each Support:
 - Enhanced UART Supports Automatic Baud-Rate Detection
 - IrDA Encoder and Decoder
 - Synchronous SPI
 - USCI_B0 and USCI_B1 Each Support:
 - I²C
 - Synchronous SPI
- Full-Speed Universal Serial Bus (USB)
 - Integrated USB-PHY
 - Integrated 3.3-V and 1.8-V USB Power System
 - Integrated USB-PLL
 - Eight Input and Eight Output Endpoints
- 12-Bit Analog-to-Digital Converter (ADC) (MSP430F552x Only) With Internal Reference, Sample-and-Hold, and Autoscan Feature
- Comparator
- Hardware Multiplier Supports 32-Bit Operations
- Serial Onboard Programming, No External Programming Voltage Needed
- Three-Channel Internal DMA
- Basic Timer With RTC Feature
- [Section 3](#) Summarizes Available Family Members
- For Complete Module Descriptions, See the *MSP430x5xx and MSP430x6xx Family User's Guide (SLAU208)*

1.2 Applications

- Analog and Digital Sensor Systems
- Data Loggers
- Connection to USB Hosts



1.3 Description

The TI MSP430™ family of ultra-low-power microcontrollers consists of several devices featuring peripheral sets targeted for a variety of applications. The architecture, combined with extensive low-power modes, is optimized to achieve extended battery life in portable measurement applications. The microcontroller features a powerful 16-bit RISC CPU, 16-bit registers, and constant generators that contribute to maximum code efficiency. The digitally controlled oscillator (DCO) allows the devices to wake up from low-power modes to active mode in 3.5 μs (typical).

The MSP430F5529, MSP430F5527, MSP430F5525, and MSP430F5521 microcontrollers have integrated USB and PHY supporting USB 2.0, four 16-bit timers, a high-performance 12-bit analog-to-digital converter (ADC), two universal serial communication interfaces (USCI), a hardware multiplier, DMA, a real-time clock (RTC) module with alarm capabilities, and 63 I/O pins. The MSP430F5528, MSP430F5526, MSP430F5524, and MSP430F5522 microcontrollers include all of these peripherals but have 47 I/O pins.

The MSP430F5519, MSP430F5517, and MSP430F5515 microcontrollers have integrated USB and PHY supporting USB 2.0, four 16-bit timers, two universal serial communication interfaces (USCI), a hardware multiplier, DMA, an RTC module with alarm capabilities, and 63 I/O pins. The MSP430F5514 and MSP430FF5513 microcontrollers include all of these peripherals but have 47 I/O pins.

Typical applications include analog and digital sensor systems, data loggers, and others that require connectivity to various USB hosts.

Device Information⁽¹⁾

| PART NUMBER | PACKAGE | BODY SIZE ⁽²⁾ |
|----------------|----------------------------|--------------------------|
| MSP430F5529PN | LQFP (80) | 12 mm × 12 mm |
| MSP430F5528RGC | VQFN (64) | 9 mm × 9 mm |
| MSP430F5528YFF | DSBGA (64) | 3.5 mm × 3.5 mm |
| MSP430F5528ZQE | MicroStar Junior™ BGA (80) | 5 mm × 5 mm |

- (1) For the most current part, package, and ordering information for all available devices, see the *Package Option Addendum* in [Section 8](#), or see the TI website at www.ti.com.
- (2) The sizes shown here are approximations. For the package dimensions with tolerances, see the *Mechanical Data* in [Section 8](#).

1.4 Functional Block Diagrams

Figure 1-1 shows the functional block diagram for the MSP430F5529, MSP430F5527, MSP430F5525, and MSP430F5521 devices in the PN package.

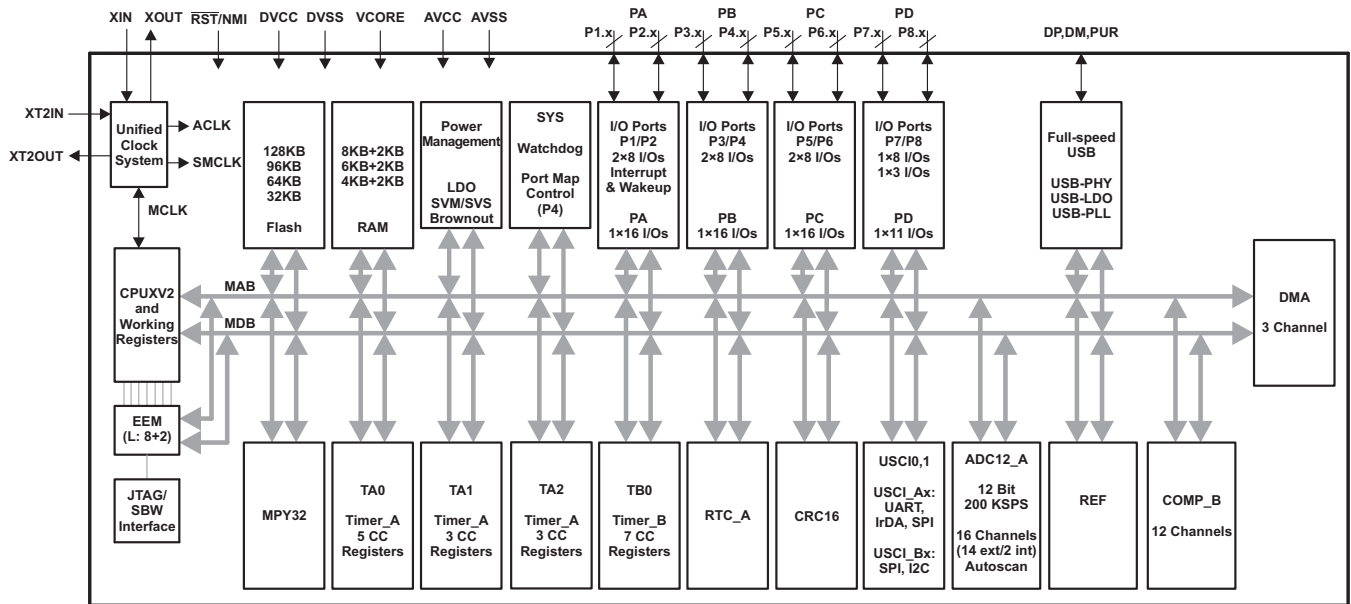


Figure 1-1. Functional Block Diagram – MSP430F5529IPN, MSP430F5527IPN, MSP430F5525IPN, MSP430F5521IPN

Figure 1-2 shows the functional block diagram for the MSP430F5528, MSP430F5526, MSP430F5524, and MSP430F5522 devices in the RGC and ZQE packages and for the MSP430F5528, MSP430F5526, and MSP430F5524 devices in the YFF package.

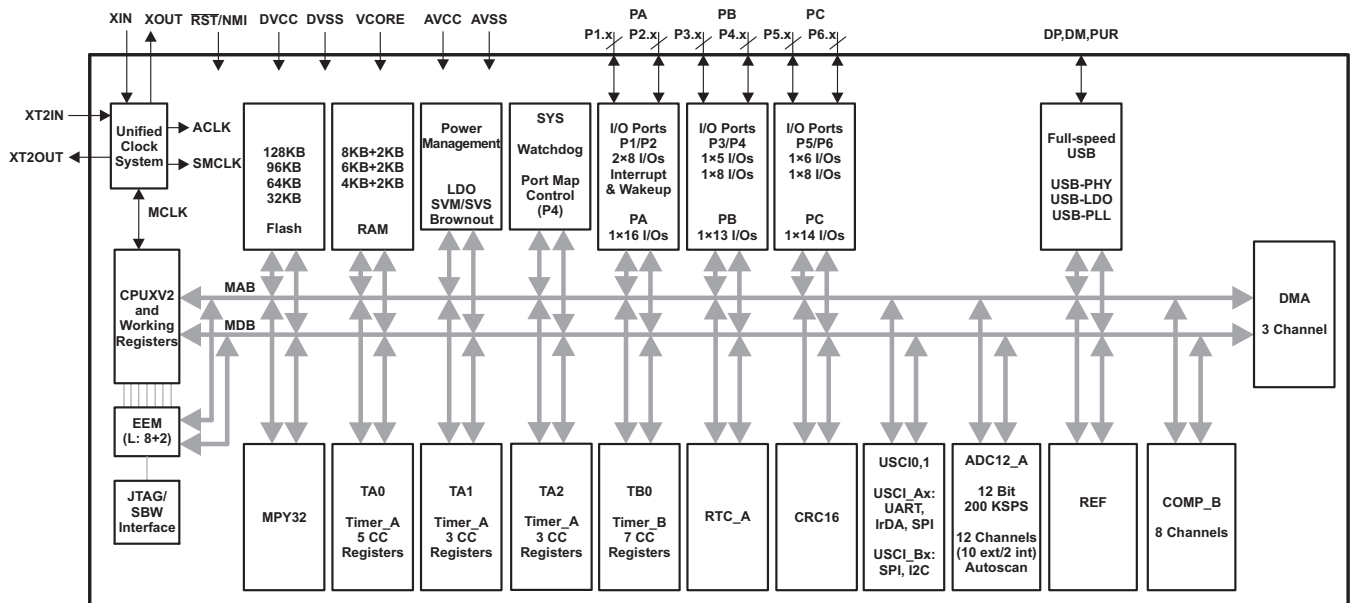


Figure 1-2. Functional Block Diagram – MSP430F5528IRGC, MSP430F5526IRGC, MSP430F5524IRGC, MSP430F5522IRGC
MSP430F5528IZQE, MSP430F5526IZQE, MSP430F5524IZQE, MSP430F5522IZQE
MSP430F5528IYFF, MSP430F5526IYFF, MSP430F5524IYFF

Figure 1-3 shows the functional block diagram for the MSP430F5519, MSP430F5517, and MSP430F5515 devices in the PN package.

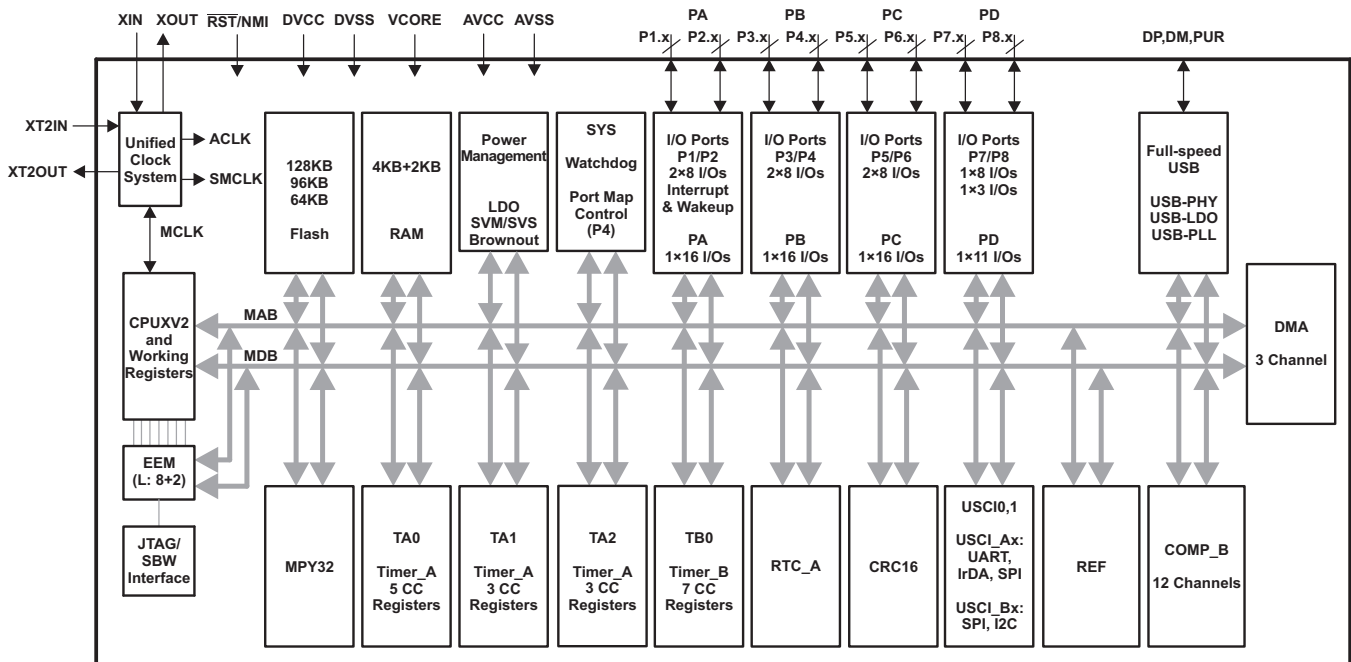


Figure 1-3. Functional Block Diagram – MSP430F5519IPN, MSP430F5517IPN, MSP430F5515IPN

Figure 1-4 shows the functional block diagram for the MSP430F5514 and MSP430F5513 devices in the RGC and ZQE packages.

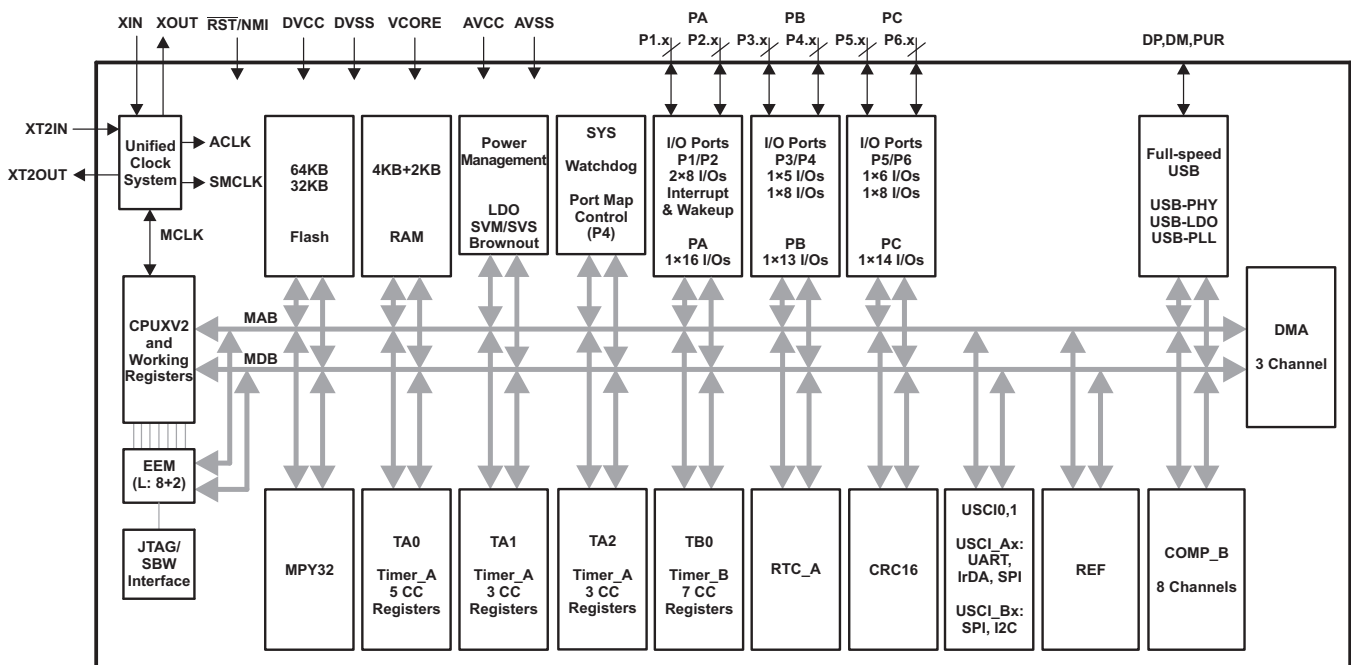


Figure 1-4. Functional Block Diagram – MSP430F5514IRGC, MSP430F5513IRGC, MSP430F5514IZQE, MSP430F5513IZQE

Table of Contents

| | | | | | |
|----------|--|---------------------------|----------|---|----------------------------|
| 1 | Device Overview | 1 | 5.24 | PMM, SVS Low Side | 33 |
| 1.1 | Features | 1 | 5.25 | PMM, SVM Low Side | 33 |
| 1.2 | Applications | 1 | 5.26 | Wake-up Times From Low-Power Modes and Reset | 34 |
| 1.3 | Description | 2 | 5.27 | Timer_A | 34 |
| 1.4 | Functional Block Diagrams | 3 | 5.28 | Timer_B | 34 |
| 2 | Revision History | 6 | 5.29 | USCI (UART Mode) Clock Frequency | 35 |
| 3 | Device Comparison | 7 | 5.30 | USCI (UART Mode) | 35 |
| 4 | Terminal Configuration and Functions | 8 | 5.31 | USCI (SPI Master Mode) Clock Frequency | 35 |
| 4.1 | Pin Diagrams | 8 | 5.32 | USCI (SPI Master Mode) | 35 |
| 4.2 | Signal Descriptions | 14 | 5.33 | USCI (SPI Slave Mode) | 37 |
| 5 | Specifications | 19 | 5.34 | USCI (I ² C Mode) | 39 |
| 5.1 | Absolute Maximum Ratings | 19 | 5.35 | 12-Bit ADC, Power Supply and Input Range Conditions | 40 |
| 5.2 | ESD Ratings | 19 | 5.36 | 12-Bit ADC, Timing Parameters | 40 |
| 5.3 | Recommended Operating Conditions | 19 | 5.37 | 12-Bit ADC, Linearity Parameters Using an External Reference Voltage or AVCC as Reference Voltage | 41 |
| 5.4 | Active Mode Supply Current Into V _{CC} Excluding External Current | 21 | 5.38 | 12-Bit ADC, Linearity Parameters Using the Internal Reference Voltage | 41 |
| 5.5 | Low-Power Mode Supply Currents (Into V _{CC}) Excluding External Current | 22 | 5.39 | 12-Bit ADC, Temperature Sensor and Built-In V _{MID} | 42 |
| 5.6 | Thermal Characteristics | 23 | 5.40 | REF, External Reference | 43 |
| 5.7 | Schmitt-Trigger Inputs – General-Purpose I/O (P1.0 to P1.7, P2.0 to P2.7, P3.0 to P3.7, P4.0 to P4.7) (P5.0 to P5.7, P6.0 to P6.7, P7.0 to P7.7, P8.0 to P8.2, PJ.0 to PJ.3, RST/NMI) | 24 | 5.41 | REF, Built-In Reference | 43 |
| 5.8 | Inputs – Ports P1 and P2 (P1.0 to P1.7, P2.0 to P2.7) | 24 | 5.42 | Comparator_B | 45 |
| 5.9 | Leakage Current – General-Purpose I/O (P1.0 to P1.7, P2.0 to P2.7, P3.0 to P3.7, P4.0 to P4.7) (P5.0 to P5.7, P6.0 to P6.7, P7.0 to P7.7, P8.0 to P8.2, PJ.0 to PJ.3, RST/NMI) | 24 | 5.43 | Ports PU.0 and PU.1 | 45 |
| 5.10 | Outputs – General-Purpose I/O (Full Drive Strength) (P1.0 to P1.7, P2.0 to P2.7, P3.0 to P3.7, P4.0 to P4.7) (P5.0 to P5.7, P6.0 to P6.7, P7.0 to P7.7, P8.0 to P8.2, PJ.0 to PJ.3) | 24 | 5.44 | USB Output Ports DP and DM | 47 |
| 5.11 | Outputs – General-Purpose I/O (Reduced Drive Strength) (P1.0 to P1.7, P2.0 to P2.7, P3.0 to P3.7, P4.0 to P4.7) (P5.0 to P5.7, P6.0 to P6.7, P7.0 to P7.7, P8.0 to P8.2, PJ.0 to PJ.3) | 25 | 5.45 | USB Input Ports DP and DM | 47 |
| 5.12 | Output Frequency – General-Purpose I/O (P1.0 to P1.7, P2.0 to P2.7, P3.0 to P3.7, P4.0 to P4.7) (P5.0 to P5.7, P6.0 to P6.7, P7.0 to P7.7, P8.0 to P8.2, PJ.0 to PJ.3) | 25 | 5.46 | USB-PWR (USB Power System) | 48 |
| 5.13 | Typical Characteristics – Outputs, Reduced Drive Strength (P _x DS.y = 0) | 26 | 5.47 | USB-PLL (USB Phase Locked Loop) | 48 |
| 5.14 | Typical Characteristics – Outputs, Full Drive Strength (P _x DS.y = 1) | 27 | 5.48 | Flash Memory | 49 |
| 5.15 | Crystal Oscillator, XT1, Low-Frequency Mode | 28 | 5.49 | JTAG and Spy-Bi-Wire Interface | 49 |
| 5.16 | Crystal Oscillator, XT2 | 29 | 6 | Detailed Description | 50 |
| 5.17 | Internal Very-Low-Power Low-Frequency Oscillator (VLO) | 30 | 6.1 | CPU (Link to User's Guide) | 50 |
| 5.18 | Internal Reference, Low-Frequency Oscillator (REFO) | 30 | 6.2 | Operating Modes | 51 |
| 5.19 | DCO Frequency | 31 | 6.3 | Interrupt Vector Addresses | 52 |
| 5.20 | PMM, Brown-Out Reset (BOR) | 32 | 6.4 | Memory Organization | 53 |
| 5.21 | PMM, Core Voltage | 32 | 6.5 | Bootstrap Loader (BSL) | 54 |
| 5.22 | PMM, SVS High Side | 32 | 6.6 | JTAG Operation | 55 |
| 5.23 | PMM, SVM High Side | 33 | 6.7 | Flash Memory (Link to User's Guide) | 56 |
| | | | 6.8 | RAM (Link to User's Guide) | 56 |
| | | | 6.9 | Peripherals | 56 |
| | | | 6.10 | Input/Output Schematics | 81 |
| | | | 6.11 | Device Descriptors (TLV) | 103 |
| | | | 7 | Device and Documentation Support | 109 |
| | | | 7.1 | Device Support | 109 |
| | | | 7.2 | Documentation Support | 112 |
| | | | 7.3 | Related Links | 113 |
| | | | 7.4 | Community Resources | 113 |
| | | | 7.5 | Trademarks | 113 |
| | | | 7.6 | Electrostatic Discharge Caution | 113 |
| | | | 7.7 | Glossary | 113 |
| | | | 8 | Mechanical, Packaging, and Orderable Information | 114 |

2 Revision History

NOTE: Page numbers for previous revisions may differ from page numbers in the current version.

Changes from Revision L (June 2013) to Revision M

Page

| | |
|---|---------------------|
| • Formatting and organization changes throughout, including addition of section numbering | 1 |
| • Added <i>Device Information</i> table | 2 |
| • Added Section 1.4 and moved all functional block diagrams to it..... | 3 |
| • Added Section 3 and moved <i>Family Members</i> table to it | 7 |
| • Added Section 5 and moved all electrical specifications to it | 19 |
| • Added Section 5.2 , <i>ESD Ratings</i> | 19 |
| • Moved Section 5.6 , <i>Thermal Characteristics</i> | 23 |
| • Changed the TYP value of $C_{L,eff}$ with Test Conditions of "XTS = 0, XCAPx = 0" from 2 pF to 1 pF | 28 |
| • Corrected MRG0 and MRG1 bit names in $f_{MCLK,MRG}$ parameter description..... | 49 |
| • Corrected spelling of NMIFG in Table 6-9 , <i>System Module Interrupt Vector Registers</i> | 60 |
| • Corrected register names (added "USB" prefix as necessary) in Table 6-45 , <i>USB Control Registers</i> | 80 |
| • Changed P5.3 schematic (added P5SEL.2 and XT2BYPASS inputs, AND gate, and OR gate after P5SEL.3) | 89 |
| • Changed P5SEL.3 column from X to 0 for "P5.3 (I/O)" rows..... | 89 |
| • Changed P5.5 schematic (change input from P5SEL.5 to P5SEL.4 and added P5SEL.5 input and the following OR gate)..... | 91 |
| • Changed P5SEL.5 column from X to 0 for "P5.5 (I/O)" rows..... | 91 |
| • Added Section 7 and moved <i>Tools Support</i> , <i>Device Nomenclature</i> , <i>ESD Caution</i> , and <i>Trademarks</i> sections to it.. | 109 |
| • Added Section 8 , <i>Mechanical, Packaging, and Orderable Information</i> | 114 |

3 Device Comparison

Table 3-1 summarizes the available family members.

Table 3-1. Family Members⁽¹⁾⁽²⁾

| DEVICE | FLASH (KB) | SRAM (KB) ⁽³⁾ | Timer_A ⁽⁴⁾ | Timer_B ⁽⁵⁾ | USCI | | ADC12_A (Ch) | Comp_B (Ch) | I/O | PACKAGE |
|-------------|------------|--------------------------|------------------------|------------------------|----------------------------|----------------------------------|---------------|-------------|-----|------------------------|
| | | | | | CHANNEL A: UART, IrDA, SPI | CHANNEL B: SPI, I ² C | | | | |
| MSP430F5529 | 128 | 8 + 2 | 5, 3, 3 | 7 | 2 | 2 | 14 ext, 2 int | 12 | 63 | 80 PN |
| MSP430F5528 | 128 | 8 + 2 | 5, 3, 3 | 7 | 2 | 2 | 10 ext, 2 int | 8 | 47 | 64 RGC, 64 YFF, 80 ZQE |
| MSP430F5527 | 96 | 6 + 2 | 5, 3, 3 | 7 | 2 | 2 | 14 ext, 2 int | 12 | 63 | 80 PN |
| MSP430F5526 | 96 | 6 + 2 | 5, 3, 3 | 7 | 2 | 2 | 10 ext, 2 int | 8 | 47 | 64 RGC, 64 YFF, 80 ZQE |
| MSP430F5525 | 64 | 4 + 2 | 5, 3, 3 | 7 | 2 | 2 | 14 ext, 2 int | 12 | 63 | 80 PN |
| MSP430F5524 | 64 | 4 + 2 | 5, 3, 3 | 7 | 2 | 2 | 10 ext, 2 int | 8 | 47 | 64 RGC, 64 YFF, 80 ZQE |
| MSP430F5522 | 32 | 8 + 2 | 5, 3, 3 | 7 | 2 | 2 | 10 ext, 2 int | 8 | 47 | 64 RGC, 80 ZQE |
| MSP430F5521 | 32 | 6 + 2 | 5, 3, 3 | 7 | 2 | 2 | 14 ext, 2 int | 12 | 63 | 80 PN |
| MSP430F5519 | 128 | 8 + 2 | 5, 3, 3 | 7 | 2 | 2 | – | 12 | 63 | 80 PN |
| MSP430F5517 | 96 | 6 + 2 | 5, 3, 3 | 7 | 2 | 2 | – | 12 | 63 | 80 PN |
| MSP430F5515 | 64 | 4 + 2 | 5, 3, 3 | 7 | 2 | 2 | – | 12 | 63 | 80 PN |
| MSP430F5514 | 64 | 4 + 2 | 5, 3, 3 | 7 | 2 | 2 | – | 8 | 47 | 64 RGC, 80 ZQE |
| MSP430F5513 | 32 | 4 + 2 | 5, 3, 3 | 7 | 2 | 2 | – | 8 | 47 | 64 RGC, 80 ZQE |

- (1) For the most current part, package, and ordering information for all available devices, see the *Package Option Addendum* in Section 8, or see the TI website at www.ti.com.
- (2) Package drawings, thermal data, and symbolization are available at www.ti.com/packaging.
- (3) The additional 2KB USB SRAM that is listed can be used as general-purpose SRAM when USB is not in use.
- (4) Each number in the sequence represents an instantiation of Timer_A with its associated number of capture/compare registers and PWM output generators available. For example, a number sequence of 3, 5 would represent two instantiations of Timer_A, the first instantiation having 3 and the second instantiation having 5 capture/compare registers and PWM output generators, respectively.
- (5) Each number in the sequence represents an instantiation of Timer_B with its associated number of capture/compare registers and PWM output generators available. For example, a number sequence of 3, 5 would represent two instantiations of Timer_B, the first instantiation having 3 and the second instantiation having 5 capture/compare registers and PWM output generators, respectively.

4 Terminal Configuration and Functions

4.1 Pin Diagrams

Figure 4-1 shows the pinout for the MSP430F5529, MSP430F5527, MSP430F5525, and MSP430F5521 devices in the PN package.

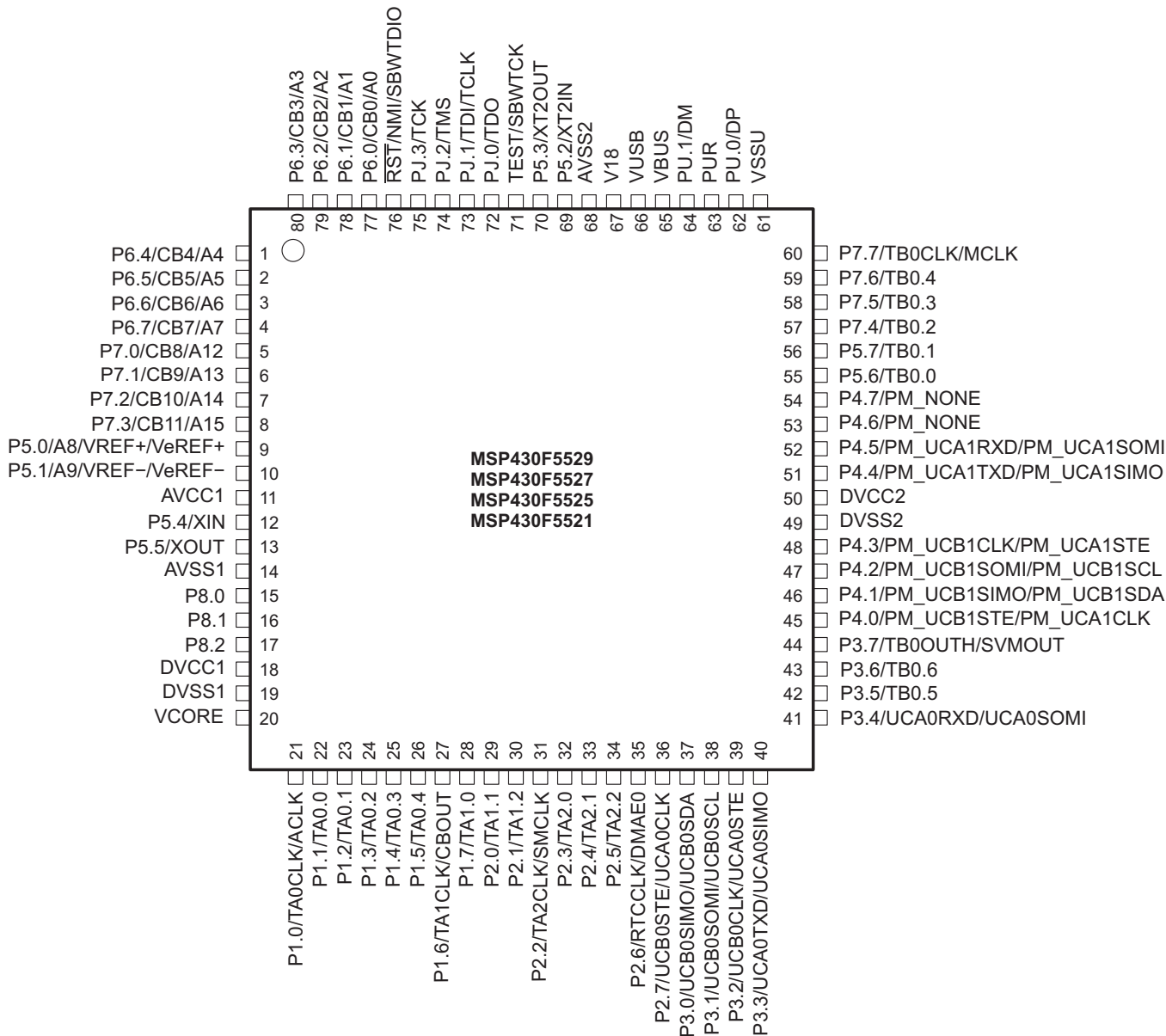
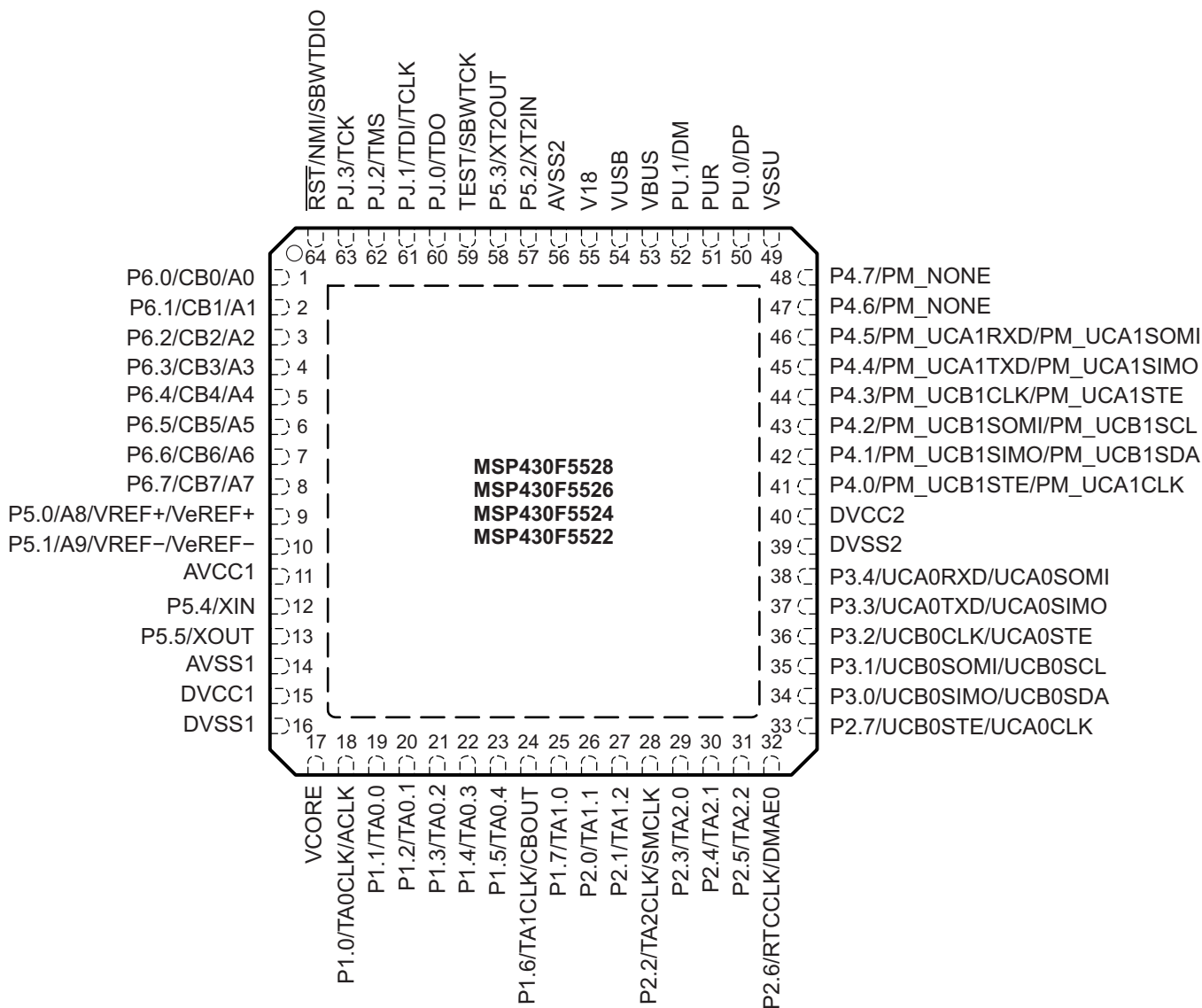


Figure 4-1. Pin Designation – MSP430F5529IPN, MSP430F5527IPN, MSP430F5525IPN, MSP430F5521IPN (Top View)

Figure 4-2 shows the pinout for the MSP430F5528, MSP430F5526, MSP430F5524, and MSP430F5522 devices in the RGC package.



NOTE: TI recommends connecting the exposed thermal pad to V_{SS}.

Figure 4-2. Pin Designation – MSP430F5528IRGC, MSP430F5526IRGC, MSP430F5524IRGC, MSP430F5522IRGC (Top View)

Figure 4-3 shows the pinout for the MSP430F5519, MSP430F5517, and MSP430F5515 devices in the PN package.

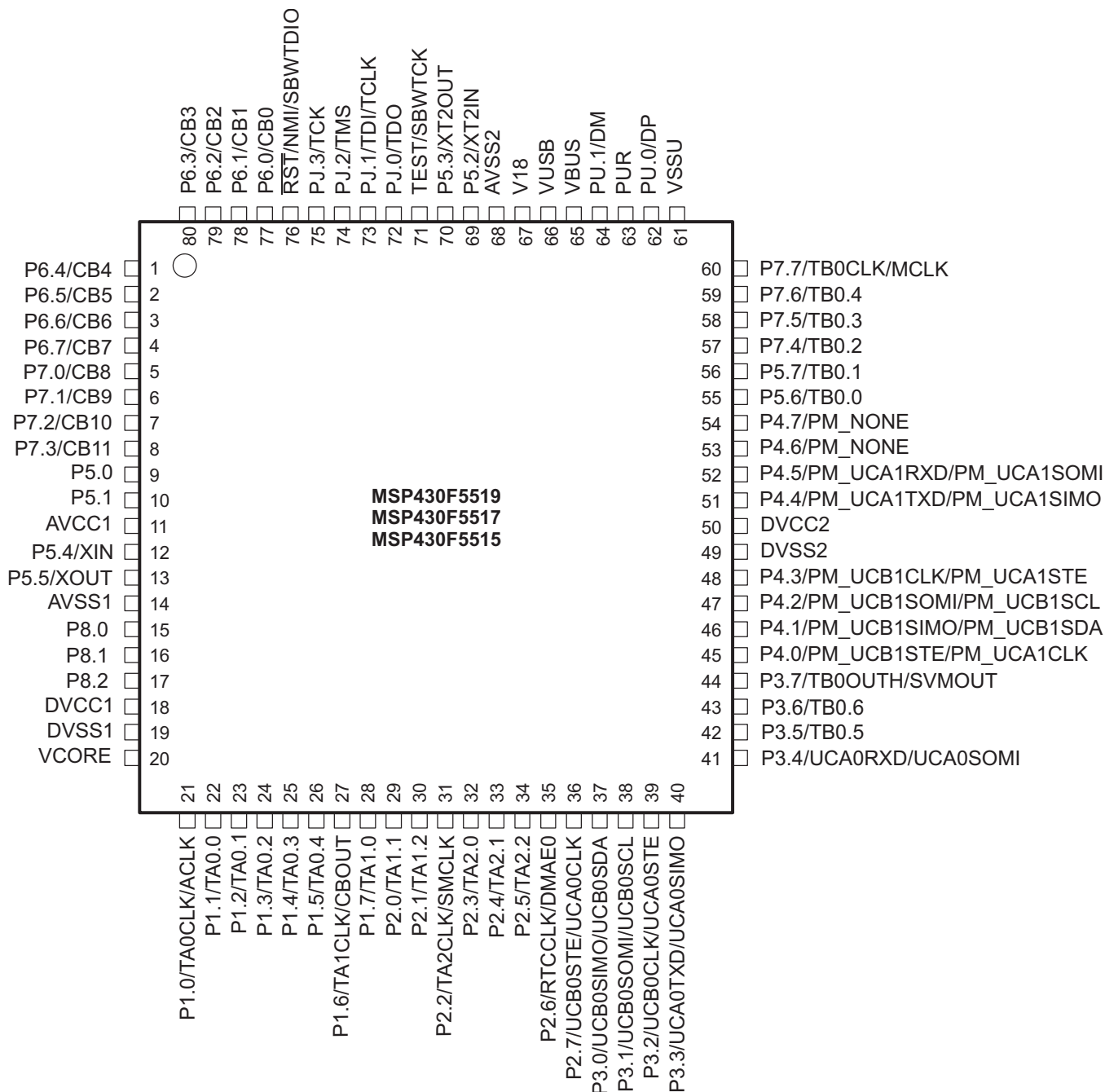
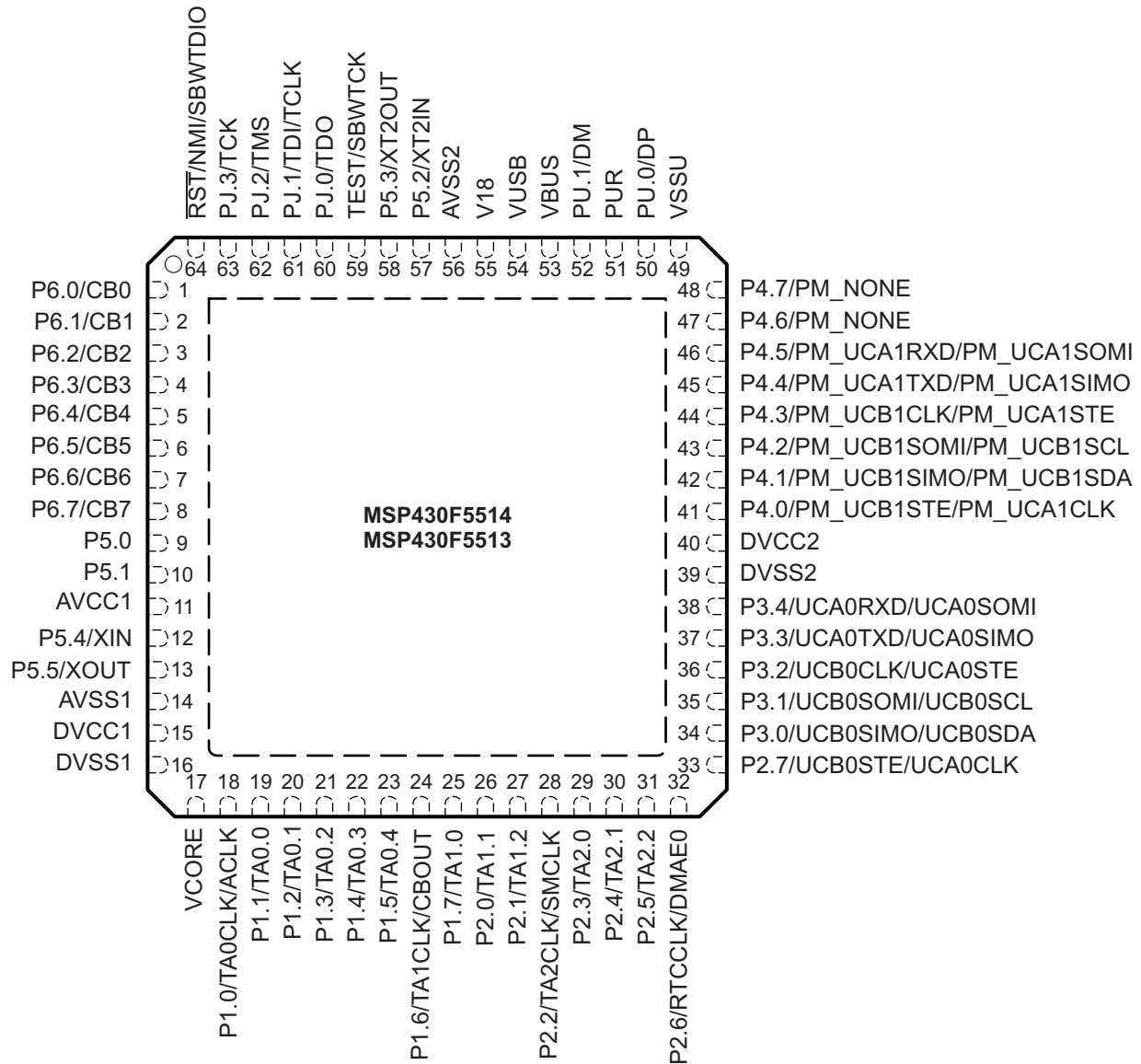


Figure 4-3. Pin Designation – MSP430F5519IPN, MSP430F5517IPN, MSP430F5515IPN (Top View)

Figure 4-4 shows the pinout for the MSP430F5514 and MSP430F5513 devices in the RGC package.



NOTE: TI recommends connecting the exposed thermal pad to V_{SS}.

Figure 4-4. Pin Designation – MSP430F5514IRGC, MSP430F5513IRGC (Top View)

Figure 4-5 shows the pinout for the MSP430F5528, MSP430F5526, MSP430F5524, MSP430F5522, MSP430F5514, and MSP430F5513 devices in the ZQE package.

| | | | | | | | | |
|---------------|-----------------|------------------|------------------|------------------|------------------|------------------|------------------|---------------|
| P6.0 (A1) | RST/NMI (A2) | PJ.2 (A3) | TEST (A4) | AVSS2 (A5) | VUSB (A6) | VBUS (A7) | PU.1 (A8) | PU.0 (A9) |
| P6.2 (B1) | P6.1 (B2) | PJ.3 (B3) | P5.3 (B4) | P5.2 (B5) | V18 (B6) | PUR (B7) | VSSU (B8) | VSSU (B9) |
| P6.4 (C1) | P6.3 (C2) | | PJ.1 (C4) | PJ.0 (C5) | Reserved (C6) | P4.7 (C7) | P4.6 (C8) | P4.5 (C9) |
| P6.6 (D1) | P6.5 (D2) | P6.7 (D3) | Reserved (D4) | Reserved (D5) | Reserved (D6) | P4.4 (D7) | P4.3 (D8) | P4.2 (D9) |
| P5.0 (E1) | P5.1 (E2) | Reserved (E3) | Reserved (E4) | Reserved (E5) | Reserved (E6) | P4.1 (E7) | P4.0 (E8) | DVCC2 (E9) |
| P5.4 (F1) | AVCC1 (F2) | Reserved (F3) | Reserved (F4) | Reserved (F5) | Reserved (F6) | Reserved (F7) | Reserved (F8) | DVSS2 (F9) |
| P5.5 (G1) | AVSS1 (G2) | Reserved (G3) | P1.3 (G4) | P1.6 (G5) | P2.1 (G6) | P3.4 (G7) | P3.2 (G8) | P3.3 (G9) |
| DVCC1 (H1) | P1.0 (H2) | P1.1 (H3) | P1.4 (H4) | P1.7 (H5) | P2.3 (H6) | P2.7 (H7) | P3.0 (H8) | P3.1 (H9) |
| DVSS1 (J1) | VCORE (J2) | P1.2 (J3) | P1.5 (J4) | P2.0 (J5) | P2.2 (J6) | P2.4 (J7) | P2.5 (J8) | P2.6 (J9) |

Figure 4-5. Pin Designation – MSP430F5528IZQE, MSP430F5526IZQE, MSP430F5524IZQE, MSP430F5522IZQE, MSP430F5514IZQE, MSP430F5513IZQE (Top View)

Figure 4-6 shows the pinout for the MSP430F5528, MSP430F5526, and MSP430F5524 devices in the YFF package.

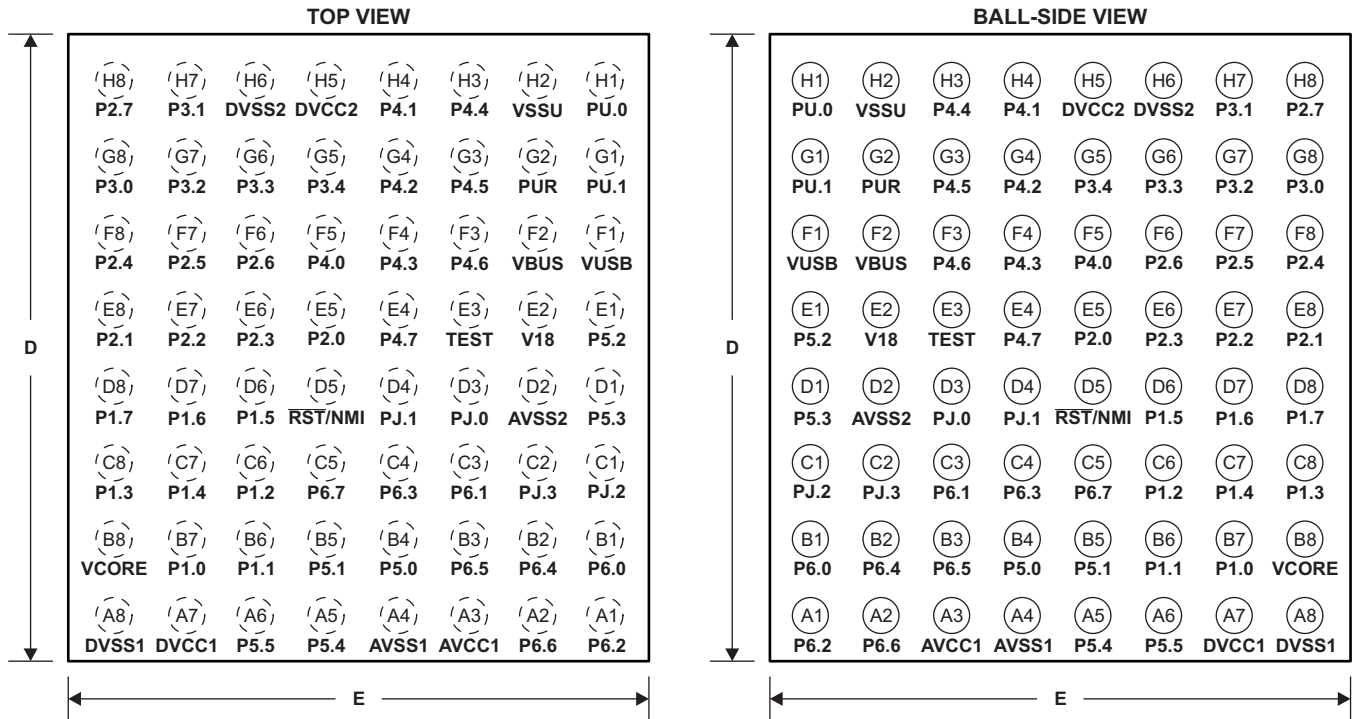


Figure 4-6. Pin Designation – MSP430F5528IYFF, MSP430F5526IYFF, MSP430F5524IYFF

4.2 Signal Descriptions

Table 4-1. Terminal Functions

| TERMINAL | | | | | I/O ⁽¹⁾ | DESCRIPTION |
|----------------------|-----|-----|-----|-----|--------------------|--|
| NAME | NO. | | | | | |
| | PN | RGC | YFF | ZQE | | |
| P6.4/CB4/A4 | 1 | 5 | B2 | C1 | I/O | General-purpose digital I/O Comparator_B input CB4 Analog input A4 – ADC (not available on F551x devices) |
| P6.5/CB5/A5 | 2 | 6 | B3 | D2 | I/O | General-purpose digital I/O Comparator_B input CB5 Analog input A5 – ADC (not available on F551x devices) |
| P6.6/CB6/A6 | 3 | 7 | A2 | D1 | I/O | General-purpose digital I/O Comparator_B input CB6 Analog input A6 – ADC (not available on F551x devices) |
| P6.7/CB7/A7 | 4 | 8 | C5 | D3 | I/O | General-purpose digital I/O Comparator_B input CB7 Analog input A7 – ADC (not available on F551x devices) |
| P7.0/CB8/A12 | 5 | N/A | N/A | N/A | I/O | General-purpose digital I/O (not available on F5528, F5526, F5524, F5522, F5514, F5513 devices) Comparator_B input CB8 (not available on F5528, F5526, F5524, F5522, F5514, F5513 devices) Analog input A12 – ADC (not available on F551x devices) |
| P7.1/CB9/A13 | 6 | N/A | N/A | N/A | I/O | General-purpose digital I/O (not available on F5528, F5526, F5524, F5522, F5514, F5513 devices) Comparator_B input CB9 (not available on F5528, F5526, F5524, F5522, F5514, F5513 devices) Analog input A13 – ADC (not available on F551x devices) |
| P7.2/CB10/A14 | 7 | N/A | N/A | N/A | I/O | General-purpose digital I/O (not available on F5528, F5526, F5524, F5522, F5514, F5513 devices) Comparator_B input CB10 (not available on F5528, F5526, F5524, F5522, F5514, F5513 devices) Analog input A14 – ADC (not available on F551x devices) |
| P7.3/CB11/A15 | 8 | N/A | N/A | N/A | I/O | General-purpose digital I/O (not available on F5528, F5526, F5524, F5522, F5514, F5513 devices) Comparator_B input CB11 (not available on F5528, F5526, F5524, F5522, F5514, F5513 devices) Analog input A15 – ADC (not available on F551x devices) |
| P5.0/A8/VREF+/VeREF+ | 9 | 9 | B4 | E1 | I/O | General-purpose digital I/O Output of reference voltage to the ADC (not available on F551x devices) Input for an external reference voltage to the ADC (not available on F551x devices) Analog input A8 – ADC (not available on F551x devices) |
| P5.1/A9/VREF-/VeREF- | 10 | 10 | B5 | E2 | I/O | General-purpose digital I/O Negative terminal for the ADC reference voltage for both sources, the internal reference voltage, or an external applied reference voltage (not available on F551x devices) Analog input A9 – ADC (not available on F551x devices) |
| AVCC1 | 11 | 11 | A3 | F2 | | Analog power supply |
| P5.4/XIN | 12 | 12 | A5 | F1 | I/O | General-purpose digital I/O Input terminal for crystal oscillator XT1 |
| P5.5/XOUT | 13 | 13 | A6 | G1 | I/O | General-purpose digital I/O Output terminal of crystal oscillator XT1 |
| AVSS1 | 14 | 14 | A4 | G2 | | Analog ground supply |
| P8.0 | 15 | N/A | N/A | N/A | I/O | General-purpose digital I/O |
| P8.1 | 16 | N/A | N/A | N/A | I/O | General-purpose digital I/O |
| P8.2 | 17 | N/A | N/A | N/A | I/O | General-purpose digital I/O |

(1) I = input, O = output, N/A = not available

Table 4-1. Terminal Functions (continued)

| NAME | TERMINAL NO. | | | | I/O ⁽¹⁾ | DESCRIPTION |
|-----------------------|--------------|-----|-----|-----|--------------------|---|
| | PN | RGC | YFF | ZQE | | |
| DVCC1 | 18 | 15 | A7 | H1 | | Digital power supply |
| DVSS1 | 19 | 16 | A8 | J1 | | Digital ground supply |
| VCORE ⁽²⁾ | 20 | 17 | B8 | J2 | | Regulated core power supply output (internal use only, no external current loading) |
| P1.0/TA0CLK/ACLK | 21 | 18 | B7 | H2 | I/O | General-purpose digital I/O with port interrupt TA0 clock signal TA0CLK input ACLK output (divided by 1, 2, 4, 8, 16, or 32) |
| P1.1/TA0.0 | 22 | 19 | B6 | H3 | I/O | General-purpose digital I/O with port interrupt TA0 CCR0 capture: CCI0A input, compare: Out0 output BSL transmit output |
| P1.2/TA0.1 | 23 | 20 | C6 | J3 | I/O | General-purpose digital I/O with port interrupt TA0 CCR1 capture: CCI1A input, compare: Out1 output BSL receive input |
| P1.3/TA0.2 | 24 | 21 | C8 | G4 | I/O | General-purpose digital I/O with port interrupt TA0 CCR2 capture: CCI2A input, compare: Out2 output |
| P1.4/TA0.3 | 25 | 22 | C7 | H4 | I/O | General-purpose digital I/O with port interrupt TA0 CCR3 capture: CCI3A input compare: Out3 output |
| P1.5/TA0.4 | 26 | 23 | D6 | J4 | I/O | General-purpose digital I/O with port interrupt TA0 CCR4 capture: CCI4A input, compare: Out4 output |
| P1.6/TA1CLK/CBOUT | 27 | 24 | D7 | G5 | I/O | General-purpose digital I/O with port interrupt TA1 clock signal TA1CLK input Comparator_B output |
| P1.7/TA1.0 | 28 | 25 | D8 | H5 | I/O | General-purpose digital I/O with port interrupt TA1 CCR0 capture: CCI0A input, compare: Out0 output |
| P2.0/TA1.1 | 29 | 26 | E5 | J5 | I/O | General-purpose digital I/O with port interrupt TA1 CCR1 capture: CCI1A input, compare: Out1 output |
| P2.1/TA1.2 | 30 | 27 | E8 | G6 | I/O | General-purpose digital I/O with port interrupt TA1 CCR2 capture: CCI2A input, compare: Out2 output |
| P2.2/TA2CLK/SMCLK | 31 | 28 | E7 | J6 | I/O | General-purpose digital I/O with port interrupt TA2 clock signal TA2CLK input SMCLK output |
| P2.3/TA2.0 | 32 | 29 | E6 | H6 | I/O | General-purpose digital I/O with port interrupt TA2 CCR0 capture: CCI0A input, compare: Out0 output |
| P2.4/TA2.1 | 33 | 30 | F8 | J7 | I/O | General-purpose digital I/O with port interrupt TA2 CCR1 capture: CCI1A input, compare: Out1 output |
| P2.5/TA2.2 | 34 | 31 | F7 | J8 | I/O | General-purpose digital I/O with port interrupt TA2 CCR2 capture: CCI2A input, compare: Out2 output |
| P2.6/RTCCLK/DMAE0 | 35 | 32 | F6 | J9 | I/O | General-purpose digital I/O with port interrupt RTC clock output for calibration DMA external trigger input |
| P2.7/UCB0STE/UCA0CLK | 36 | 33 | H8 | H7 | I/O | General-purpose digital I/O with port interrupt Slave transmit enable – USCI_B0 SPI mode Clock signal input – USCI_A0 SPI slave mode Clock signal output – USCI_A0 SPI master mode |
| P3.0/UCB0SIMO/UCB0SDA | 37 | 34 | G8 | H8 | I/O | General-purpose digital I/O Slave in, master out – USCI_B0 SPI mode I ² C data – USCI_B0 I ² C mode |

(2) V_{CORE} is for internal use only. No external current loading is possible. V_{CORE} should only be connected to the recommended capacitor value, C_{VCORE}.

Table 4-1. Terminal Functions (continued)

| TERMINAL | | | | | I/O ⁽¹⁾ | DESCRIPTION |
|---------------------------------|-----|-----|-----|-----|--------------------|--|
| NAME | NO. | | | | | |
| | PN | RGC | YFF | ZQE | | |
| P3.1/UCB0SOMI/UCB0SCL | 38 | 35 | H7 | H9 | I/O | General-purpose digital I/O Slave out, master in – USCI_B0 SPI mode I ² C clock – USCI_B0 I ² C mode |
| P3.2/UCB0CLK/UCA0STE | 39 | 36 | G7 | G8 | I/O | General-purpose digital I/O Clock signal input – USCI_B0 SPI slave mode Clock signal output – USCI_B0 SPI master mode Slave transmit enable – USCI_A0 SPI mode |
| P3.3/UCA0TXD/UCA0SIMO | 40 | 37 | G6 | G9 | I/O | General-purpose digital I/O Transmit data – USCI_A0 UART mode Slave in, master out – USCI_A0 SPI mode |
| P3.4/UCA0RXD/UCA0SOMI | 41 | 38 | G5 | G7 | I/O | General-purpose digital I/O Receive data – USCI_A0 UART mode Slave out, master in – USCI_A0 SPI mode |
| P3.5/TB0.5 | 42 | N/A | N/A | N/A | I/O | General-purpose digital I/O (not available on F5528, F5526, F5524, F5522, F5514, F5513 devices) TB0 CCR5 capture: CCI5A input, compare: Out5 output |
| P3.6/TB0.6 | 43 | N/A | N/A | N/A | I/O | General-purpose digital I/O (not available on F5528, F5526, F5524, F5522, F5514, F5513 devices) TB0 CCR6 capture: CCI6A input, compare: Out6 output |
| P3.7/TB0OUTH/SVMOUT | 44 | N/A | N/A | N/A | I/O | General-purpose digital I/O (not available on F5528, F5526, F5524, F5522, F5514, F5513 devices) Switch all PWM outputs high impedance input – TB0 (not available on F5528, F5526, F5524, F5522, F5514, F5513 devices) SVM output (not available on F5528, F5526, F5524, F5522, F5514, F5513 devices) |
| P4.0/PM_UCB1STE/ PM_UCA1CLK | 45 | 41 | F5 | E8 | I/O | General-purpose digital I/O with reconfigurable port mapping secondary function Default mapping: Slave transmit enable – USCI_B1 SPI mode Default mapping: Clock signal input – USCI_A1 SPI slave mode Default mapping: Clock signal output – USCI_A1 SPI master mode |
| P4.1/PM_UCB1SIMO/ PM_UCB1SDA | 46 | 42 | H4 | E7 | I/O | General-purpose digital I/O with reconfigurable port mapping secondary function Default mapping: Slave in, master out – USCI_B1 SPI mode Default mapping: I ² C data – USCI_B1 I ² C mode |
| P4.2/PM_UCB1SOMI/ PM_UCB1SCL | 47 | 43 | G4 | D9 | I/O | General-purpose digital I/O with reconfigurable port mapping secondary function Default mapping: Slave out, master in – USCI_B1 SPI mode Default mapping: I ² C clock – USCI_B1 I ² C mode |
| P4.3/PM_UCB1CLK/ PM_UCA1STE | 48 | 44 | F4 | D8 | I/O | General-purpose digital I/O with reconfigurable port mapping secondary function Default mapping: Clock signal input – USCI_B1 SPI slave mode Default mapping: Clock signal output – USCI_B1 SPI master mode Default mapping: Slave transmit enable – USCI_A1 SPI mode |
| DVSS2 | 49 | 39 | H6 | F9 | | Digital ground supply |
| DVCC2 | 50 | 40 | H5 | E9 | | Digital power supply |
| P4.4/PM_UCA1TXD/ PM_UCA1SIMO | 51 | 45 | H3 | D7 | I/O | General-purpose digital I/O with reconfigurable port mapping secondary function Default mapping: Transmit data – USCI_A1 UART mode Default mapping: Slave in, master out – USCI_A1 SPI mode |
| P4.5/PM_UCA1RXD/ PM_UCA1SOMI | 52 | 46 | G3 | C9 | I/O | General-purpose digital I/O with reconfigurable port mapping secondary function Default mapping: Receive data – USCI_A1 UART mode Default mapping: Slave out, master in – USCI_A1 SPI mode |
| P4.6/PM_NONE | 53 | 47 | F3 | C8 | I/O | General-purpose digital I/O with reconfigurable port mapping secondary function Default mapping: no secondary function. |
| P4.7/PM_NONE | 54 | 48 | E4 | C7 | I/O | General-purpose digital I/O with reconfigurable port mapping secondary function Default mapping: no secondary function. |

Table 4-1. Terminal Functions (continued)

| TERMINAL | | | | | I/O ⁽¹⁾ | DESCRIPTION |
|------------------------------|-----|-----|-----|--------|--------------------|--|
| NAME | NO. | | | | | |
| | PN | RGC | YFF | ZQE | | |
| P5.6/TB0.0 | 55 | N/A | N/A | N/A | I/O | General-purpose digital I/O (not available on F5528, F5526, F5524, F5522, F5514, F5513 devices) TB0 CCR0 capture: CCI0A input, compare: Out0 output (not available on F5528, F5526, F5524, F5522, F5514, F5513 devices) |
| P5.7/TB0.1 | 56 | N/A | N/A | N/A | I/O | General-purpose digital I/O (not available on F5528, F5526, F5524, F5522, F5514, F5513 devices) TB0 CCR1 capture: CCI1A input, compare: Out1 output (not available on F5528, F5526, F5524, F5522, F5514, F5513 devices) |
| P7.4/TB0.2 | 57 | N/A | N/A | N/A | I/O | General-purpose digital I/O (not available on F5528, F5526, F5524, F5522, F5514, F5513 devices) TB0 CCR2 capture: CCI2A input, compare: Out2 output (not available on F5528, F5526, F5524, F5522, F5514, F5513 devices) |
| P7.5/TB0.3 | 58 | N/A | N/A | N/A | I/O | General-purpose digital I/O (not available on F5528, F5526, F5524, F5522, F5514, F5513 devices) TB0 CCR3 capture: CCI3A input, compare: Out3 output (not available on F5528, F5526, F5524, F5522, F5514, F5513 devices) |
| P7.6/TB0.4 | 59 | N/A | N/A | N/A | I/O | General-purpose digital I/O (not available on F5528, F5526, F5524, F5522, F5514, F5513 devices) TB0 CCR4 capture: CCI4A input, compare: Out4 output (not available on F5528, F5526, F5524, F5522, F5514, F5513 devices) |
| P7.7/TB0CLK/MCLK | 60 | N/A | N/A | N/A | I/O | General-purpose digital I/O (not available on F5528, F5526, F5524, F5522, F5514, F5513 devices) TB0 clock signal TBCLK input (not available on F5528, F5526, F5524, F5522, F5514, F5513 devices) MCLK output (not available on F5528, F5526, F5524, F5522, F5514, F5513 devices) |
| VSSU | 61 | 49 | H2 | B8, B9 | | USB PHY ground supply |
| PU.0/DP | 62 | 50 | H1 | A9 | I/O | General-purpose digital I/O. Controlled by USB control register USB data terminal DP |
| PUR | 63 | 51 | G2 | B7 | I/O | USB pullup resistor pin (open drain). The voltage level at the PUR pin is used to invoke the default USB BSL. Recommended 1-M Ω resistor to ground. See Section 6.5.1 for more information. |
| PU.1/DM | 64 | 52 | G1 | A8 | I/O | General-purpose digital I/O. Controlled by USB control register USB data terminal DM |
| VBUS | 65 | 53 | F2 | A7 | | USB LDO input (connect to USB power source) |
| VUSB | 66 | 54 | F1 | A6 | | USB LDO output |
| V18 | 67 | 55 | E2 | B6 | | USB regulated power (internal use only, no external current loading) |
| AVSS2 | 68 | 56 | D2 | A5 | | Analog ground supply |
| P5.2/XT2IN | 69 | 57 | E1 | B5 | I/O | General-purpose digital I/O Input terminal for crystal oscillator XT2 |
| P5.3/XT2OUT | 70 | 58 | D1 | B4 | I/O | General-purpose digital I/O Output terminal of crystal oscillator XT2 |
| TEST/SBWTCK ⁽³⁾ | 71 | 59 | E3 | A4 | I | Test mode pin – Selects four wire JTAG operation Spy-Bi-Wire input clock when Spy-Bi-Wire operation activated |
| PJ.0/TDO ⁽⁴⁾ | 72 | 60 | D3 | C5 | I/O | General-purpose digital I/O JTAG test data output port |
| PJ.1/TDI/TCLK ⁽⁴⁾ | 73 | 61 | D4 | C4 | I/O | General-purpose digital I/O JTAG test data input Test clock input |
| PJ.2/TMS ⁽⁴⁾ | 74 | 62 | C1 | A3 | I/O | General-purpose digital I/O JTAG test mode select |

⁽³⁾ See [Section 6.5](#) and [Section 6.6](#) for use with BSL and JTAG functions.

⁽⁴⁾ See [Section 6.6](#) for use with JTAG function.

Table 4-1. Terminal Functions (continued)

| TERMINAL | | | | | I/O ⁽¹⁾ | DESCRIPTION |
|---|-----|-----|-----|----------------|--------------------|---|
| NAME | NO. | | | | | |
| | PN | RGC | YFF | ZQE | | |
| PJ.3/TCK ⁽⁴⁾ | 75 | 63 | C2 | B3 | I/O | General-purpose digital I/O JTAG test clock |
| $\overline{\text{RST}}$ /NMI/SBWTDIO ⁽³⁾ | 76 | 64 | D5 | A2 | I/O | Reset input, active low ⁽⁵⁾ Nonmaskable interrupt input Spy-Bi-Wire data input/output when Spy-Bi-Wire operation activated |
| P6.0/CB0/A0 | 77 | 1 | B1 | A1 | I/O | General-purpose digital I/O Comparator_B input CB0 Analog input A0 – ADC (not available on F551x devices) |
| P6.1/CB1/A1 | 78 | 2 | C3 | B2 | I/O | General-purpose digital I/O Comparator_B input CB1 Analog input A1 – ADC (not available on F551x devices) |
| P6.2/CB2/A2 | 79 | 3 | A1 | B1 | I/O | General-purpose digital I/O Comparator_B input CB2 Analog input A2 – ADC (not available on F551x devices) |
| P6.3/CB3/A3 | 80 | 4 | C4 | C2 | I/O | General-purpose digital I/O Comparator_B input CB3 Analog input A3 – ADC (not available on F551x devices) |
| Reserved | N/A | N/A | N/A | ⁽⁶⁾ | | Reserved. Connect to ground. |
| QFN Pad | N/A | Pad | N/A | N/A | | QFN package pad. TI recommends connecting to V _{SS} . |

(5) When this pin is configured as reset, the internal pullup resistor is enabled by default.

(6) C6, D4, D5, D6, E3, E4, E5, E6, F3, F4, F5, F6, F7, F8, G3 are reserved and should be connected to ground.

5 Specifications

5.1 Absolute Maximum Ratings⁽¹⁾

over operating free-air temperature range (unless otherwise noted)

| | MIN | MAX | UNIT |
|--|------|----------------|------|
| Voltage applied at V_{CC} to V_{SS} | -0.3 | 4.1 | V |
| Voltage applied to any pin (excluding V _{CORE} , V _{BUS} , V18) ⁽²⁾ | -0.3 | $V_{CC} + 0.3$ | V |
| Diode current at any device pin | | ±2 | mA |
| Maximum operating junction temperature, T_J | | 95 | °C |
| Storage temperature, T_{stg} ⁽³⁾ | -55 | 150 | °C |

- (1) Stresses beyond those listed under *Absolute Maximum Ratings* may cause permanent damage to the device. These are stress ratings only, and functional operation of the device at these or any other conditions beyond those indicated under *Recommended Operating Conditions* is not implied. Exposure to absolute-maximum-rated conditions for extended periods may affect device reliability.
- (2) All voltages referenced to V_{SS} . V_{CORE} is for internal device use only. No external DC loading or voltage should be applied.
- (3) Higher temperature may be applied during board soldering according to the current JEDEC J-STD-020 specification with peak reflow temperatures not higher than classified on the device label on the shipping boxes or reels.

5.2 ESD Ratings

| | | VALUE | UNIT |
|-------------------------------------|--|-------|------|
| $V_{(ESD)}$ Electrostatic discharge | Human-body model (HBM), per ANSI/ESDA/JEDEC JS-001 ⁽¹⁾ | ±1000 | V |
| | Charged-device model (CDM), per JEDEC specification JESD22-C101 ⁽²⁾ | ±250 | |

- (1) JEDEC document JEP155 states that 500-V HBM allows safe manufacturing with a standard ESD control process. Pins listed as ±1000 V may actually have higher performance.
- (2) JEDEC document JEP157 states that 250-V CDM allows safe manufacturing with a standard ESD control process. Pins listed as ±250 V may actually have higher performance.

5.3 Recommended Operating Conditions

Typical values are specified at $V_{CC} = 3.3$ V and $T_A = 25^\circ\text{C}$ (unless otherwise noted)

| | | MIN | NOM | MAX | UNIT |
|------------------------------|--|------------------------------------|-----|-----|-------|
| V_{CC} | Supply voltage during program execution and flash programming ($AV_{CC} = DV_{CC1/2} = DV_{CC}$) ⁽¹⁾⁽²⁾ | PMMCOREV _x = 0 | 1.8 | 3.6 | V |
| | | PMMCOREV _x = 0, 1 | 2.0 | 3.6 | |
| | | PMMCOREV _x = 0, 1, 2 | 2.2 | 3.6 | |
| | | PMMCOREV _x = 0, 1, 2, 3 | 2.4 | 3.6 | |
| $V_{CC, USB}$ | Supply voltage during USB operation, USB PLL disabled, USB_EN = 1, UPLLEN = 0 | PMMCOREV _x = 0 | 1.8 | 3.6 | V |
| | | PMMCOREV _x = 0, 1 | 2.0 | 3.6 | |
| | | PMMCOREV _x = 0, 1, 2 | 2.2 | 3.6 | |
| | | PMMCOREV _x = 0, 1, 2, 3 | 2.4 | 3.6 | |
| | Supply voltage during USB operation, USB PLL enabled ⁽³⁾ , USB_EN = 1, UPLLEN = 1 | PMMCOREV _x = 2 | 2.2 | 3.6 | |
| | | PMMCOREV _x = 2, 3 | 2.4 | 3.6 | |
| V_{SS} | Supply voltage ($AV_{SS} = DV_{SS1/2} = DV_{SS}$) | | 0 | | V |
| T_A | Operating free-air temperature | I version | -40 | 85 | °C |
| T_J | Operating junction temperature | I version | -40 | 85 | °C |
| C_{VCORE} | Recommended capacitor at V _{CORE} ⁽⁴⁾ | | 470 | | nF |
| $\frac{C_{DVCC}}{C_{VCORE}}$ | Capacitor ratio of DVCC to V _{CORE} | | 10 | | ratio |

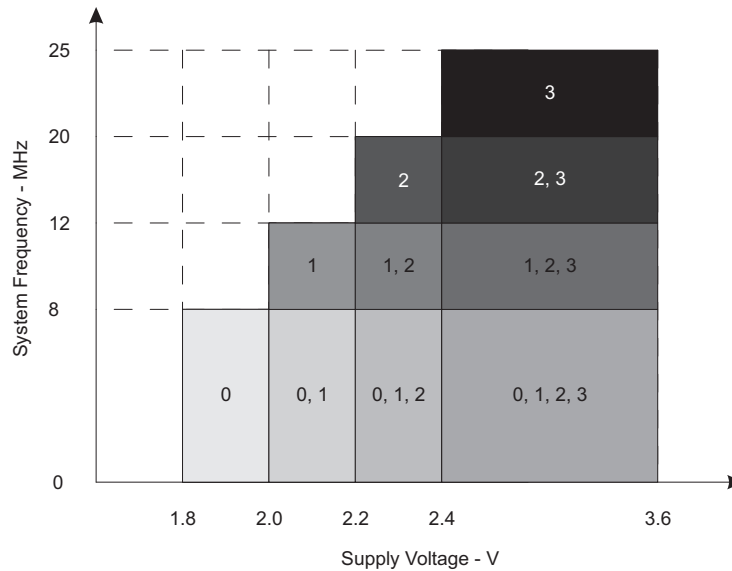
- (1) TI recommends powering AVCC and DVCC from the same source. A maximum difference of 0.3 V between AVCC and DVCC can be tolerated during power up and operation.
- (2) The minimum supply voltage is defined by the supervisor SVS levels when it is enabled. See the [Section 5.22](#) threshold parameters for the exact values and further details.
- (3) USB operation with USB PLL enabled requires PMMCOREV_x ≥ 2 for proper operation.
- (4) A capacitor tolerance of ±20% or better is required.

Recommended Operating Conditions (continued)

Typical values are specified at $V_{CC} = 3.3\text{ V}$ and $T_A = 25^\circ\text{C}$ (unless otherwise noted)

| | | MIN | NOM | MAX | UNIT |
|--------------------------|---|--|-----|------|--------|
| f_{SYSTEM} | Processor frequency (maximum MCLK frequency) ⁽⁵⁾ (see Figure 5-1) | PMMCOREVx = 0, 1.8 V ≤ V _{CC} ≤ 3.6 V (default condition) | 0 | 8.0 | MHz |
| | | PMMCOREVx = 1, 2.0 V ≤ V _{CC} ≤ 3.6 V | 0 | 12.0 | |
| | | PMMCOREVx = 2, 2.2 V ≤ V _{CC} ≤ 3.6 V | 0 | 20.0 | |
| | | PMMCOREVx = 3, 2.4 V ≤ V _{CC} ≤ 3.6 V | 0 | 25.0 | |
| $f_{\text{SYSTEM_USB}}$ | Minimum processor frequency for USB operation | 1.5 | | | MHz |
| USB_wait | Wait state cycles during USB operation | | 16 | | cycles |

(5) Modules may have a different maximum input clock specification. See the specification of the respective module in this data sheet.



The numbers within the fields denote the supported PMMCOREVx settings.

Figure 5-1. Maximum System Frequency

5.4 Active Mode Supply Current Into V_{CC} Excluding External Current

over recommended operating free-air temperature (unless otherwise noted)⁽¹⁾ ⁽²⁾ ⁽³⁾

| PARAMETER | EXECUTION MEMORY | V_{CC} | PMMCOREVx | FREQUENCY ($f_{DCO} = f_{MCLK} = f_{SMCLK}$) | | | | | | | | | | UNIT |
|-----------------|------------------|----------|-----------|--|------|-------|------|--------|-----|--------|-----|--------|------|------|
| | | | | 1 MHz | | 8 MHz | | 12 MHz | | 20 MHz | | 25 MHz | | |
| | | | | TYP | MAX | TYP | MAX | TYP | MAX | TYP | MAX | TYP | MAX | |
| $I_{AM, Flash}$ | Flash | 3.0 V | 0 | 0.36 | 0.47 | 2.32 | 2.60 | | | | | | | mA |
| | | | 1 | 0.40 | | 2.65 | | 4.0 | 4.4 | | | | | |
| | | | 2 | 0.44 | | 2.90 | | 4.3 | | 7.1 | 7.7 | | | |
| | | | 3 | 0.46 | | 3.10 | | 4.6 | | 7.6 | | 10.1 | 11.0 | |
| $I_{AM, RAM}$ | RAM | 3.0 V | 0 | 0.20 | 0.24 | 1.20 | 1.30 | | | | | | | mA |
| | | | 1 | 0.22 | | 1.35 | | 2.0 | 2.2 | | | | | |
| | | | 2 | 0.24 | | 1.50 | | 2.2 | | 3.7 | 4.2 | | | |
| | | | 3 | 0.26 | | 1.60 | | 2.4 | | 3.9 | | 5.3 | 6.2 | |

(1) All inputs are tied to 0 V or to V_{CC} . Outputs do not source or sink any current.

(2) The currents are characterized with a Micro Crystal MS1V-T1K crystal with a load capacitance of 12.5 pF. The internal and external load capacitance are chosen to closely match the required 12.5 pF.

(3) Characterized with program executing typical data processing. USB disabled ($VUSBEN = 0$, $SLDOEN = 0$).

$f_{ACLK} = 32786$ Hz, $f_{DCO} = f_{MCLK} = f_{SMCLK}$ at specified frequency.

$XTS = CPUOFF = SCG0 = SCG1 = OSCOFF = SMCLKOFF = 0$.

5.5 Low-Power Mode Supply Currents (Into V_{CC}) Excluding External Current

over recommended ranges of supply voltage and operating free-air temperature (unless otherwise noted)^{(1) (2)}

| PARAMETER | V_{CC} | PMMCOREVx | -40°C | | 25°C | | 60°C | | 85°C | | UNIT | |
|---|----------|-----------|-------|-----|------|------|------|------|------|-----|------|---------|
| | | | TYP | MAX | TYP | MAX | TYP | MAX | TYP | MAX | | |
| $I_{LPM0,1MHz}$ Low-power mode 0 ⁽³⁾⁽⁴⁾ | 2.2 V | 0 | 73 | | 77 | 85 | | 80 | | 85 | 97 | μA |
| | 3.0 V | 3 | 79 | | 83 | 92 | | 88 | | 95 | 105 | |
| I_{LPM2} Low-power mode 2 ⁽⁵⁾⁽⁴⁾ | 2.2 V | 0 | 6.5 | | 6.5 | 12 | | 10 | | 11 | 17 | μA |
| | 3.0 V | 3 | 7.0 | | 7.0 | 13 | | 11 | | 12 | 18 | |
| $I_{LPM3,XT1LF}$ Low-power mode 3, crystal mode ⁽⁶⁾⁽⁴⁾ | 2.2 V | 0 | 1.60 | | 1.90 | | | 2.6 | | 5.6 | | μA |
| | | 1 | 1.65 | | 2.00 | | | 2.7 | | 5.9 | | |
| | | 2 | 1.75 | | 2.15 | | | 2.9 | | 6.1 | | |
| | 3.0 V | 0 | 1.8 | | 2.1 | 2.9 | | 2.8 | | 5.8 | 8.3 | |
| | | 1 | 1.9 | | 2.3 | | | 2.9 | | 6.1 | | |
| | | 2 | 2.0 | | 2.4 | | | 3.0 | | 6.3 | | |
| $I_{LPM3,VLO}$ Low-power mode 3, VLO mode ⁽⁷⁾⁽⁴⁾ | 3.0 V | 3 | 2.0 | | 2.5 | 3.9 | | 3.1 | | 6.4 | 9.3 | |
| | | 0 | 1.1 | | 1.4 | 2.7 | | 1.9 | | 4.9 | 7.4 | |
| | | 1 | 1.1 | | 1.4 | | | 2.0 | | 5.2 | | |
| | | 2 | 1.2 | | 1.5 | | | 2.1 | | 5.3 | | |
| I_{LPM4} Low-power mode 4 ⁽⁸⁾⁽⁴⁾ | 3.0 V | 3 | 1.3 | | 1.6 | 3.0 | | 2.2 | | 5.4 | 8.5 | |
| | | 0 | 0.9 | | 1.1 | 1.5 | | 1.8 | | 4.8 | 7.3 | |
| | | 1 | 1.1 | | 1.2 | | | 2.0 | | 5.1 | | |
| | | 2 | 1.2 | | 1.2 | | | 2.1 | | 5.2 | | |
| $I_{LPM4.5}$ Low-power mode 4.5 ⁽⁹⁾ | 3.0 V | 3 | 1.3 | | 1.3 | 1.6 | | 2.2 | | 5.3 | 8.1 | |
| | | 0 | 0.15 | | 0.18 | 0.35 | | 0.26 | | 0.5 | 1.0 | |

- (1) All inputs are tied to 0 V or to V_{CC} . Outputs do not source or sink any current.
- (2) The currents are characterized with a Micro Crystal MS1V-T1K crystal with a load capacitance of 12.5 pF. The internal and external load capacitance are chosen to closely match the required 12.5 pF.
- (3) Current for watchdog timer clocked by SMCLK included. ACLK = low frequency crystal operation (XTS = 0, XT1DRIVEx = 0). CPUOFF = 1, SCG0 = 0, SCG1 = 0, OSCOFF = 0 (LPM0); f_{ACLK} = 32768 Hz, f_{MCLK} = 0 MHz, f_{SMCLK} = f_{DCO} = 1 MHz
USB disabled (VUSBEN = 0, SLDOEN = 0).
- (4) Current for brownout, high-side supervisor (SVSH) normal mode included. Low-side supervisor and monitor disabled (SVSL, SVML). High-side monitor disabled (SVMH). RAM retention enabled.
- (5) Current for watchdog timer and RTC clocked by ACLK included. ACLK = low frequency crystal operation (XTS = 0, XT1DRIVEx = 0). CPUOFF = 1, SCG0 = 0, SCG1 = 1, OSCOFF = 0 (LPM2); f_{ACLK} = 32768 Hz, f_{MCLK} = 0 MHz, f_{SMCLK} = f_{DCO} = 0 MHz; DCO setting = 1 MHz operation, DCO bias generator enabled.
USB disabled (VUSBEN = 0, SLDOEN = 0)
- (6) Current for watchdog timer and RTC clocked by ACLK included. ACLK = low frequency crystal operation (XTS = 0, XT1DRIVEx = 0). CPUOFF = 1, SCG0 = 1, SCG1 = 1, OSCOFF = 0 (LPM3); f_{ACLK} = 32768 Hz, f_{MCLK} = f_{SMCLK} = f_{DCO} = 0 MHz
USB disabled (VUSBEN = 0, SLDOEN = 0)
- (7) Current for watchdog timer and RTC clocked by ACLK included. ACLK = VLO.
CPUOFF = 1, SCG0 = 1, SCG1 = 1, OSCOFF = 0 (LPM3); f_{ACLK} = f_{VLO} , f_{MCLK} = f_{SMCLK} = f_{DCO} = 0 MHz
USB disabled (VUSBEN = 0, SLDOEN = 0)
- (8) CPUOFF = 1, SCG0 = 1, SCG1 = 1, OSCOFF = 1 (LPM4); f_{DCO} = f_{ACLK} = f_{MCLK} = f_{SMCLK} = 0 MHz
USB disabled (VUSBEN = 0, SLDOEN = 0)
- (9) Internal regulator disabled. No data retention.
CPUOFF = 1, SCG0 = 1, SCG1 = 1, OSCOFF = 1, PMMREGOFF = 1 (LPM4.5); f_{DCO} = f_{ACLK} = f_{MCLK} = f_{SMCLK} = 0 MHz

5.6 Thermal Characteristics

| PARAMETER | | | VALUE | UNIT | |
|---------------|---|------------------------|------------|------|------|
| θ_{JA} | Junction-to-ambient thermal resistance, still air | Low-K board (JESD51-3) | LQFP (PN) | 70 | °C/W |
| | | | VQFN (RGC) | 55 | |
| | | | BGA (ZQE) | 84 | |
| | High-K board (JESD51-7) | LQFP (PN) | 45 | | |
| | | VQFN (RGC) | 25 | | |
| | | BGA (ZQE) | 46 | | |
| θ_{JC} | Junction-to-case thermal resistance | LQFP (PN) | 12 | °C/W | |
| | | VQFN (RGC) | 12 | | |
| | | BGA (ZQE) | 30 | | |
| θ_{JB} | Junction-to-board thermal resistance | LQFP (PN) | 22 | °C/W | |
| | | VQFN (RGC) | 6 | | |
| | | BGA (ZQE) | 20 | | |

5.7 Schmitt-Trigger Inputs – General-Purpose I/O⁽¹⁾ (P1.0 to P1.7, P2.0 to P2.7, P3.0 to P3.7, P4.0 to P4.7) (P5.0 to P5.7, P6.0 to P6.7, P7.0 to P7.7, P8.0 to P8.2, PJ.0 to PJ.3, $\overline{\text{RST}}/\text{NMI}$)

over recommended ranges of supply voltage and operating free-air temperature (unless otherwise noted)

| PARAMETER | | TEST CONDITIONS | V _{CC} | MIN | TYP | MAX | UNIT |
|-------------------|---|--|-----------------|------|-----|------|------|
| V _{IT+} | Positive-going input threshold voltage | | 1.8 V | 0.80 | | 1.40 | V |
| | | | 3 V | 1.50 | | 2.10 | |
| V _{IT-} | Negative-going input threshold voltage | | 1.8 V | 0.45 | | 1.00 | V |
| | | | 3 V | 0.75 | | 1.65 | |
| V _{hys} | Input voltage hysteresis (V _{IT+} – V _{IT-}) | | 1.8 V | 0.3 | | 0.85 | V |
| | | | 3 V | 0.4 | | 1.0 | |
| R _{Pull} | Pullup and pulldown resistor ⁽²⁾ | For pullup: V _{IN} = V _{SS} For pulldown: V _{IN} = V _{CC} | | 20 | 35 | 50 | kΩ |
| C _I | Input capacitance | V _{IN} = V _{SS} or V _{CC} | | | 5 | | pF |

(1) Same parametrics apply to clock input pin when crystal bypass mode is used on XT1 (XIN) or XT2 (XT2IN).

(2) Also applies to $\overline{\text{RST}}$ pin when pullup or pulldown resistor is enabled.

5.8 Inputs – Ports P1 and P2⁽¹⁾ (P1.0 to P1.7, P2.0 to P2.7)

over recommended ranges of supply voltage and operating free-air temperature (unless otherwise noted)

| PARAMETER | TEST CONDITIONS | V _{CC} | MIN | MAX | UNIT |
|--------------------|--|---|------------|-----|------|
| t _(int) | External interrupt timing ⁽²⁾ | External trigger pulse duration to set interrupt flag | 2.2 V, 3 V | 20 | ns |

(1) Some devices may contain additional ports with interrupts. See the block diagram and terminal function descriptions.

(2) An external signal sets the interrupt flag every time the minimum interrupt pulse duration t_(int) is met. It may be set by trigger signals shorter than t_(int).

5.9 Leakage Current – General-Purpose I/O (P1.0 to P1.7, P2.0 to P2.7, P3.0 to P3.7, P4.0 to P4.7) (P5.0 to P5.7, P6.0 to P6.7, P7.0 to P7.7, P8.0 to P8.2, PJ.0 to PJ.3, $\overline{\text{RST}}/\text{NMI}$)

over recommended ranges of supply voltage and operating free-air temperature (unless otherwise noted)

| PARAMETER | TEST CONDITIONS | V _{CC} | MIN | MAX | UNIT | |
|------------------------|--------------------------------|-----------------|------------|-----|------|----|
| I _{lkg(Px.x)} | High-impedance leakage current | (1) (2) | 1.8 V, 3 V | -50 | 50 | nA |

(1) The leakage current is measured with V_{SS} or V_{CC} applied to the corresponding pin(s), unless otherwise noted.

(2) The leakage of the digital port pins is measured individually. The port pin is selected for input and the pullup or pulldown resistor is disabled.

5.10 Outputs – General-Purpose I/O (Full Drive Strength) (P1.0 to P1.7, P2.0 to P2.7, P3.0 to P3.7, P4.0 to P4.7) (P5.0 to P5.7, P6.0 to P6.7, P7.0 to P7.7, P8.0 to P8.2, PJ.0 to PJ.3)

over recommended ranges of supply voltage and operating free-air temperature (unless otherwise noted)

| PARAMETER | TEST CONDITIONS | V _{CC} | MIN | MAX | UNIT | |
|-----------------|---------------------------|-----------------|--|------------------------|------------------------|---|
| V _{OH} | High-level output voltage | 1.8 V | I _(OHmax) = -3 mA ⁽¹⁾ | V _{CC} - 0.25 | V _{CC} | V |
| | | | I _(OHmax) = -10 mA ⁽²⁾ | V _{CC} - 0.60 | V _{CC} | |
| | | 3 V | I _(OHmax) = -5 mA ⁽¹⁾ | V _{CC} - 0.25 | V _{CC} | |
| | | | I _(OHmax) = -15 mA ⁽²⁾ | V _{CC} - 0.60 | V _{CC} | |
| V _{OL} | Low-level output voltage | 1.8 V | I _(OLmax) = 3 mA ⁽¹⁾ | V _{SS} | V _{SS} + 0.25 | V |
| | | | I _(OLmax) = 10 mA ⁽²⁾ | V _{SS} | V _{SS} + 0.60 | |
| | | 3 V | I _(OLmax) = 5 mA ⁽¹⁾ | V _{SS} | V _{SS} + 0.25 | |
| | | | I _(OLmax) = 15 mA ⁽²⁾ | V _{SS} | V _{SS} + 0.60 | |

(1) The maximum total current, I_(OHmax) and I_(OLmax), for all outputs combined should not exceed ±48 mA to hold the maximum voltage drop specified.

(2) The maximum total current, I_(OHmax) and I_(OLmax), for all outputs combined should not exceed ±100 mA to hold the maximum voltage drop specified.

5.11 Outputs – General-Purpose I/O (Reduced Drive Strength) (P1.0 to P1.7, P2.0 to P2.7, P3.0 to P3.7, P4.0 to P4.7) (P5.0 to P5.7, P6.0 to P6.7, P7.0 to P7.7, P8.0 to P8.2, PJ.0 to PJ.3)

over recommended ranges of supply voltage and operating free-air temperature (unless otherwise noted)⁽¹⁾

| PARAMETER | | TEST CONDITIONS | V _{CC} | MIN | MAX | UNIT |
|-----------------|---------------------------|---|-----------------|------------------------|------------------------|------|
| V _{OH} | High-level output voltage | I _(OHmax) = -1 mA ⁽²⁾ | 1.8 V | V _{CC} - 0.25 | V _{CC} | V |
| | | I _(OHmax) = -3 mA ⁽³⁾ | | V _{CC} - 0.60 | V _{CC} | |
| | | I _(OHmax) = -2 mA ⁽²⁾ | 3.0 V | V _{CC} - 0.25 | V _{CC} | |
| | | I _(OHmax) = -6 mA ⁽³⁾ | | V _{CC} - 0.60 | V _{CC} | |
| V _{OL} | Low-level output voltage | I _(OLmax) = 1 mA ⁽²⁾ | 1.8 V | V _{SS} | V _{SS} + 0.25 | V |
| | | I _(OLmax) = 3 mA ⁽³⁾ | | V _{SS} | V _{SS} + 0.60 | |
| | | I _(OLmax) = 2 mA ⁽²⁾ | 3.0 V | V _{SS} | V _{SS} + 0.25 | |
| | | I _(OLmax) = 6 mA ⁽³⁾ | | V _{SS} | V _{SS} + 0.60 | |

(1) Selecting reduced drive strength may reduce EMI.

(2) The maximum total current, I_(OHmax) and I_(OLmax), for all outputs combined, should not exceed ±48 mA to hold the maximum voltage drop specified.

(3) The maximum total current, I_(OHmax) and I_(OLmax), for all outputs combined, should not exceed ±100 mA to hold the maximum voltage drop specified.

5.12 Output Frequency – General-Purpose I/O (P1.0 to P1.7, P2.0 to P2.7, P3.0 to P3.7, P4.0 to P4.7) (P5.0 to P5.7, P6.0 to P6.7, P7.0 to P7.7, P8.0 to P8.2, PJ.0 to PJ.3)

over recommended ranges of supply voltage and operating free-air temperature (unless otherwise noted)

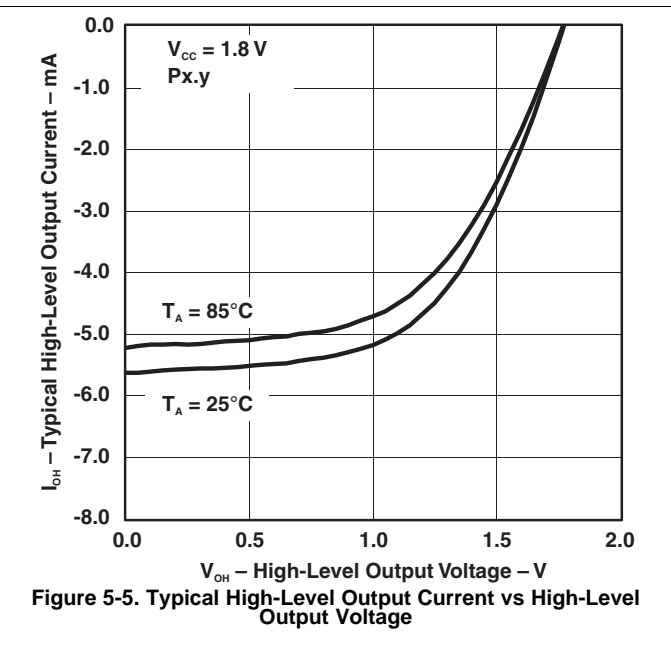
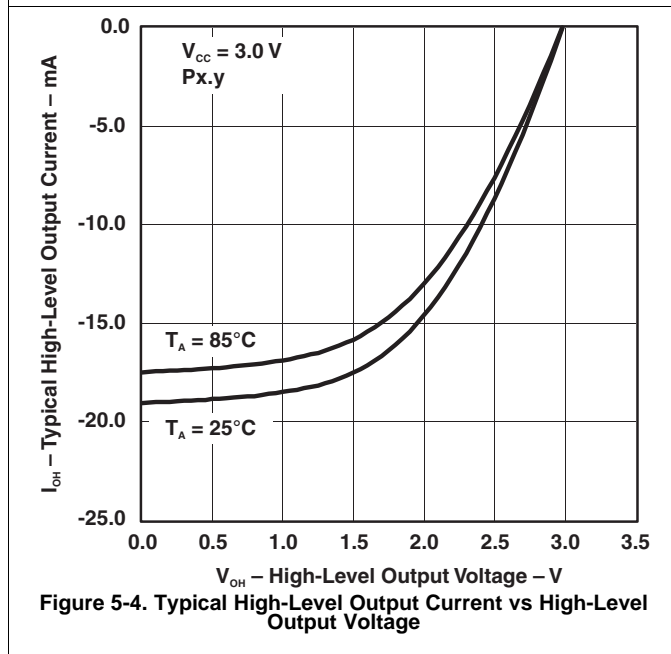
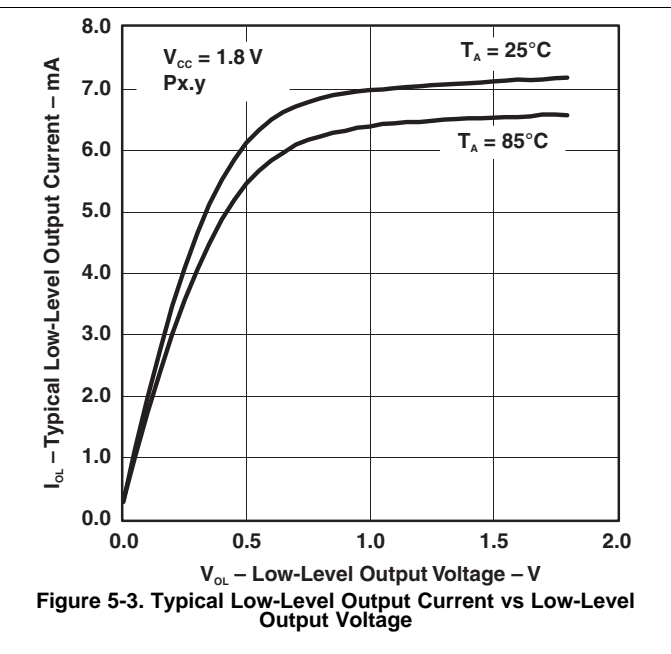
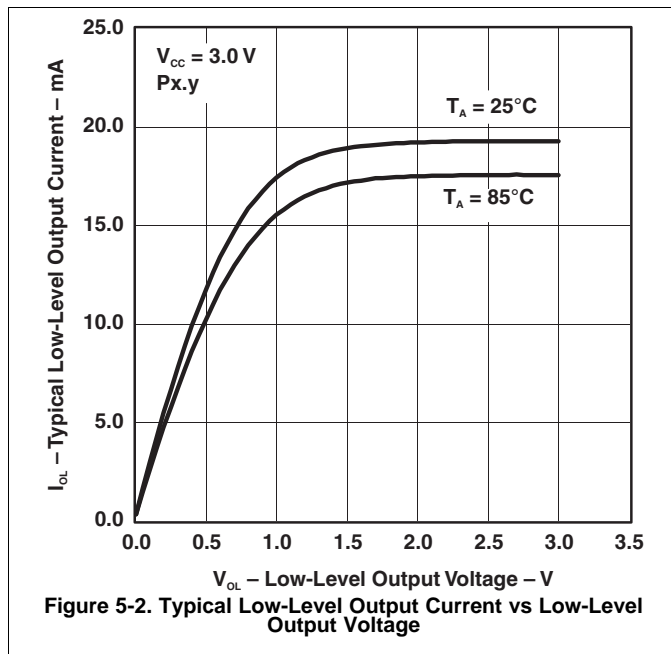
| PARAMETER | | TEST CONDITIONS | MIN | MAX | UNIT |
|-----------------------|-----------------------------------|---|---|-----|------|
| f _{Px,y} | Port output frequency (with load) | See ⁽¹⁾⁽²⁾ | V _{CC} = 1.8 V, PMMCOREVx = 0 | 16 | MHz |
| | | | V _{CC} = 3 V, PMMCOREVx = 3 | 25 | |
| f _{Port_CLK} | Clock output frequency | ACLK, SMCLK, MCLK, C _L = 20 pF ⁽²⁾ | V _{CC} = 1.8 V, PMMCOREVx = 0 | 16 | MHz |
| | | | V _{CC} = 3 V, PMMCOREVx = 3 | 25 | |

(1) A resistive divider with 2 × R1 between V_{CC} and V_{SS} is used as load. The output is connected to the center tap of the divider. For full drive strength, R1 = 550 Ω. For reduced drive strength, R1 = 1.6 kΩ. C_L = 20 pF is connected to the output to V_{SS}.

(2) The output voltage reaches at least 10% and 90% V_{CC} at the specified toggle frequency.

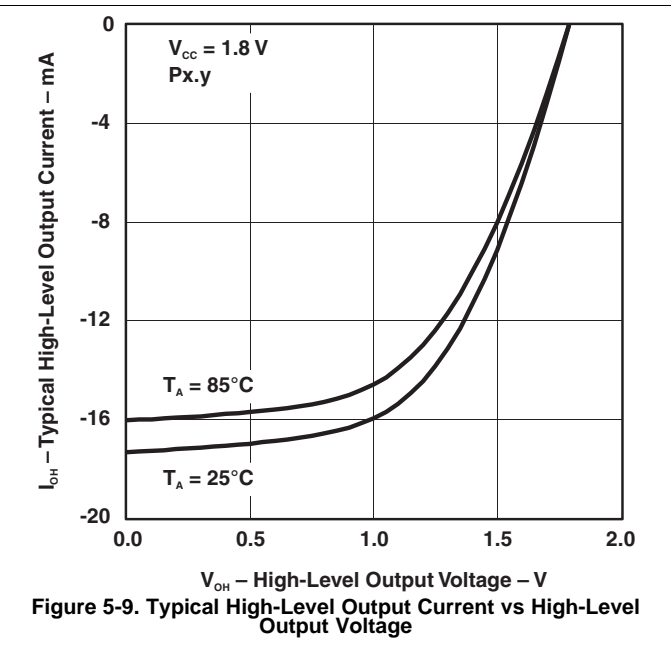
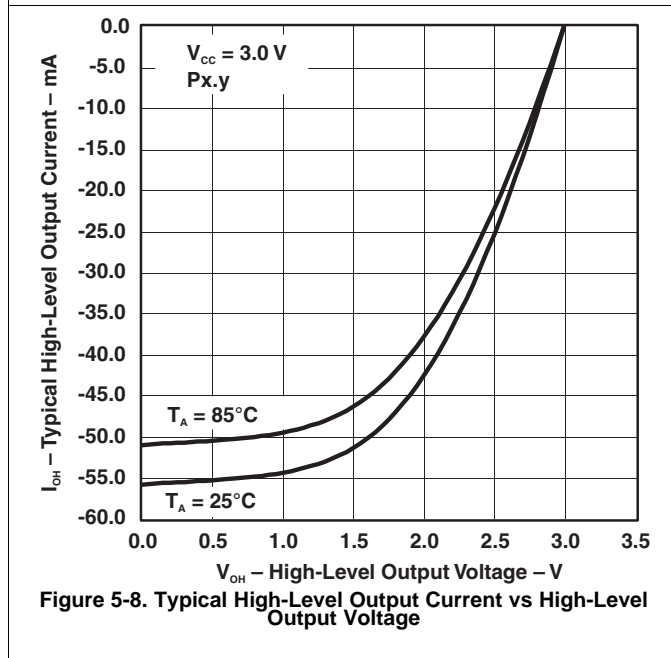
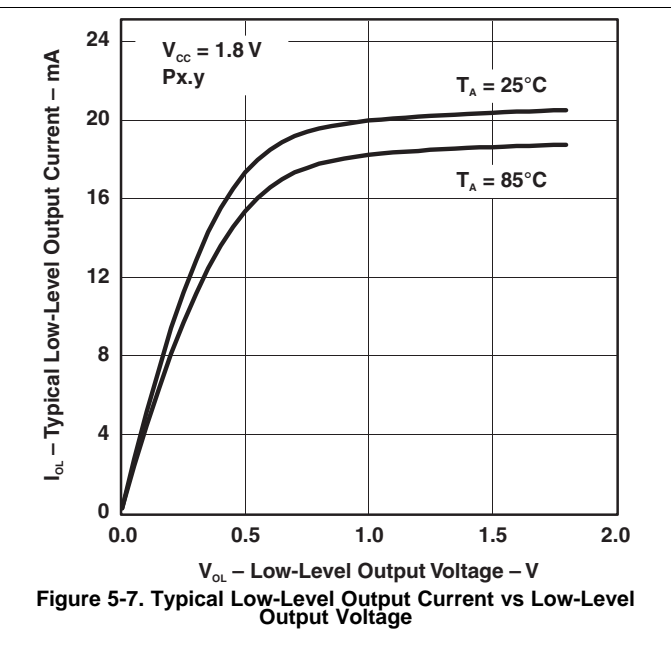
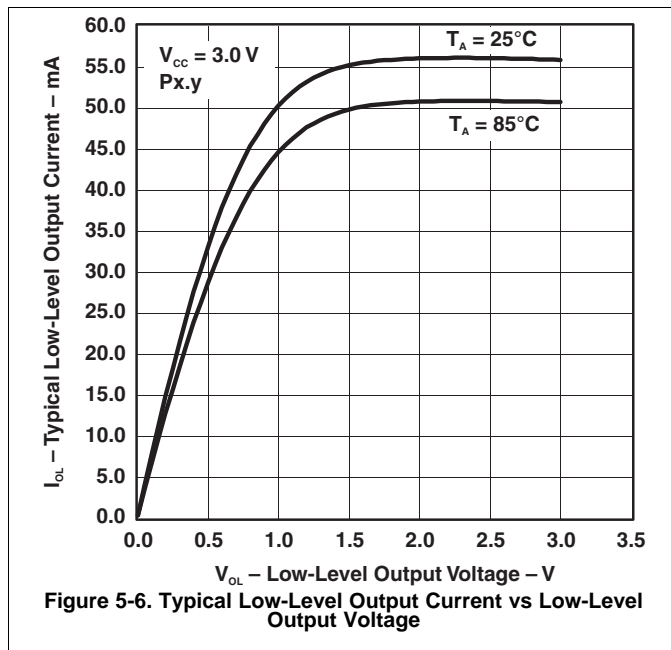
5.13 Typical Characteristics – Outputs, Reduced Drive Strength (PxDS.y = 0)

over recommended ranges of supply voltage and operating free-air temperature (unless otherwise noted)



5.14 Typical Characteristics – Outputs, Full Drive Strength (PxDS.y = 1)

over recommended ranges of supply voltage and operating free-air temperature (unless otherwise noted)



5.15 Crystal Oscillator, XT1, Low-Frequency Mode⁽¹⁾

over recommended ranges of supply voltage and operating free-air temperature (unless otherwise noted)

| PARAMETER | TEST CONDITIONS | V _{CC} | MIN | TYP | MAX | UNIT |
|--|--|-----------------|-------|--------|-----|------|
| $\Delta I_{DVCC,LF}$ Differential XT1 oscillator crystal current consumption from lowest drive setting, LF mode | $f_{OSC} = 32768$ Hz, XTS = 0, XT1BYPASS = 0, XT1DRIVE _x = 1, T _A = 25°C | 3.0 V | 0.075 | | μA | |
| | $f_{OSC} = 32768$ Hz, XTS = 0, XT1BYPASS = 0, XT1DRIVE _x = 2, T _A = 25°C | | 0.170 | | | |
| | $f_{OSC} = 32768$ Hz, XTS = 0, XT1BYPASS = 0, XT1DRIVE _x = 3, T _A = 25°C | | 0.290 | | | |
| $f_{XT1,LF0}$ XT1 oscillator crystal frequency, LF mode | XTS = 0, XT1BYPASS = 0 | | 32768 | | Hz | |
| $f_{XT1,LF,SW}$ XT1 oscillator logic-level square-wave input frequency, LF mode | XTS = 0, XT1BYPASS = 1 ⁽²⁾ ⁽³⁾ | | 10 | 32.768 | 50 | kHz |
| O _{A,LF} Oscillation allowance for LF crystals ⁽⁴⁾ | XTS = 0, XT1BYPASS = 0, XT1DRIVE _x = 0, $f_{XT1,LF} = 32768$ Hz, C _{L,eff} = 6 pF | | 210 | | kΩ | |
| | XTS = 0, XT1BYPASS = 0, XT1DRIVE _x = 1, $f_{XT1,LF} = 32768$ Hz, C _{L,eff} = 12 pF | | 300 | | | |
| C _{L,eff} Integrated effective load capacitance, LF mode ⁽⁵⁾ | XTS = 0, XCAP _x = 0 ⁽⁶⁾ | | 1 | | pF | |
| | XTS = 0, XCAP _x = 1 | | 5.5 | | | |
| | XTS = 0, XCAP _x = 2 | | 8.5 | | | |
| | XTS = 0, XCAP _x = 3 | | 12.0 | | | |
| Duty cycle, LF mode | XTS = 0, Measured at ACLK, $f_{XT1,LF} = 32768$ Hz | | 30% | 70% | | |
| $f_{Fault,LF}$ Oscillator fault frequency, LF mode ⁽⁷⁾ | XTS = 0 ⁽⁸⁾ | | 10 | 10000 | | Hz |
| $t_{START,LF}$ Start-up time, LF mode | $f_{OSC} = 32768$ Hz, XTS = 0, XT1BYPASS = 0, XT1DRIVE _x = 0, T _A = 25°C, C _{L,eff} = 6 pF | 3.0 V | 1000 | | ms | |
| | $f_{OSC} = 32768$ Hz, XTS = 0, XT1BYPASS = 0, XT1DRIVE _x = 3, T _A = 25°C, C _{L,eff} = 12 pF | | 500 | | | |

- (1) To improve EMI on the XT1 oscillator, the following guidelines should be observed.
 - Keep the trace between the device and the crystal as short as possible.
 - Design a good ground plane around the oscillator pins.
 - Prevent crosstalk from other clock or data lines into oscillator pins XIN and XOUT.
 - Avoid running PCB traces underneath or adjacent to the XIN and XOUT pins.
 - Use assembly materials and processes that avoid any parasitic load on the oscillator XIN and XOUT pins.
 - If conformal coating is used, ensure that it does not induce capacitive or resistive leakage between the oscillator pins.
- (2) When XT1BYPASS is set, XT1 circuits are automatically powered down. Input signal is a digital square wave with parametrics defined in the Schmitt-trigger Inputs section of this data sheet.
- (3) Maximum frequency of operation of the entire device cannot be exceeded.
- (4) Oscillation allowance is based on a safety factor of 5 for recommended crystals. The oscillation allowance is a function of the XT1DRIVE_x settings and the effective load. In general, comparable oscillator allowance can be achieved based on the following guidelines, but should be evaluated based on the actual crystal selected for the application:
 - For XT1DRIVE_x = 0, C_{L,eff} ≤ 6 pF.
 - For XT1DRIVE_x = 1, 6 pF ≤ C_{L,eff} ≤ 9 pF.
 - For XT1DRIVE_x = 2, 6 pF ≤ C_{L,eff} ≤ 10 pF.
 - For XT1DRIVE_x = 3, C_{L,eff} ≥ 6 pF.
- (5) Includes parasitic bond and package capacitance (approximately 2 pF per pin). Because the PCB adds additional capacitance, TI recommends verifying the correct load by measuring the ACLK frequency. For a correct setup, the effective load capacitance should always match the specification of the used crystal.
- (6) Requires external capacitors at both terminals. Values are specified by crystal manufacturers.
- (7) Frequencies below the MIN specification set the fault flag. Frequencies above the MAX specification do not set the fault flag. Frequencies between the MIN and MAX specifications might set the flag.
- (8) Measured with logic-level input frequency but also applies to operation with crystals.

5.16 Crystal Oscillator, XT2

over recommended ranges of supply voltage and operating free-air temperature (unless otherwise noted)^{(1) (2)}

| PARAMETER | | TEST CONDITIONS | V _{CC} | MIN | TYP | MAX | UNIT |
|------------------------|---|--|---|-----|-----|-----|------|
| I _{DVCC,XT2} | XT2 oscillator crystal current consumption | f _{OSC} = 4 MHz, XT2OFF = 0, XT2BYPASS = 0, XT2DRIVE _x = 0, T _A = 25°C | 3.0 V | | 200 | | μA |
| | | f _{OSC} = 12 MHz, XT2OFF = 0, XT2BYPASS = 0, XT2DRIVE _x = 1, T _A = 25°C | | | 260 | | |
| | | f _{OSC} = 20 MHz, XT2OFF = 0, XT2BYPASS = 0, XT2DRIVE _x = 2, T _A = 25°C | | | 325 | | |
| | | f _{OSC} = 32 MHz, XT2OFF = 0, XT2BYPASS = 0, XT2DRIVE _x = 3, T _A = 25°C | | | 450 | | |
| f _{XT2,HF0} | XT2 oscillator crystal frequency, mode 0 | XT2DRIVE _x = 0, XT2BYPASS = 0 ⁽³⁾ | | 4 | | 8 | MHz |
| f _{XT2,HF1} | XT2 oscillator crystal frequency, mode 1 | XT2DRIVE _x = 1, XT2BYPASS = 0 ⁽³⁾ | | 8 | | 16 | MHz |
| f _{XT2,HF2} | XT2 oscillator crystal frequency, mode 2 | XT2DRIVE _x = 2, XT2BYPASS = 0 ⁽³⁾ | | 16 | | 24 | MHz |
| f _{XT2,HF3} | XT2 oscillator crystal frequency, mode 3 | XT2DRIVE _x = 3, XT2BYPASS = 0 ⁽³⁾ | | 24 | | 32 | MHz |
| f _{XT2,HF,SW} | XT2 oscillator logic-level square-wave input frequency, bypass mode | XT2BYPASS = 1 ^{(4) (3)} | | 0.7 | | 32 | MHz |
| O _{AHF} | Oscillation allowance for HF crystals ⁽⁵⁾ | XT2DRIVE _x = 0, XT2BYPASS = 0, f _{XT2,HF0} = 6 MHz, C _{L,eff} = 15 pF | | | 450 | | Ω |
| | | XT2DRIVE _x = 1, XT2BYPASS = 0, f _{XT2,HF1} = 12 MHz, C _{L,eff} = 15 pF | | | 320 | | |
| | | XT2DRIVE _x = 2, XT2BYPASS = 0, f _{XT2,HF2} = 20 MHz, C _{L,eff} = 15 pF | | | 200 | | |
| | | XT2DRIVE _x = 3, XT2BYPASS = 0, f _{XT2,HF3} = 32 MHz, C _{L,eff} = 15 pF | | | 200 | | |
| t _{START,HF} | Start-up time | f _{OSC} = 6 MHz, XT2BYPASS = 0, XT2DRIVE _x = 0, T _A = 25°C, C _{L,eff} = 15 pF | 3.0 V | | 0.5 | | ms |
| | | f _{OSC} = 20 MHz, XT2BYPASS = 0, XT2DRIVE _x = 2, T _A = 25°C, C _{L,eff} = 15 pF | | | 0.3 | | |
| C _{L,eff} | Integrated effective load capacitance, HF mode ⁽⁶⁾⁽¹⁾ | | | | 1 | | pF |
| | | Duty cycle | Measured at ACLK, f _{XT2,HF2} = 20 MHz | | 40% | 50% | |
| f _{Fault,HF} | Oscillator fault frequency ⁽⁷⁾ | XT2BYPASS = 1 ⁽⁸⁾ | | 30 | | 300 | kHz |

- (1) Requires external capacitors at both terminals. Values are specified by crystal manufacturers. In general, an effective load capacitance of up to 18 pF can be supported.
- (2) To improve EMI on the XT2 oscillator the following guidelines should be observed.
 - Keep the traces between the device and the crystal as short as possible.
 - Design a good ground plane around the oscillator pins.
 - Prevent crosstalk from other clock or data lines into oscillator pins XT2IN and XT2OUT.
 - Avoid running PCB traces underneath or adjacent to the XT2IN and XT2OUT pins.
 - Use assembly materials and processes that avoid any parasitic load on the oscillator XT2IN and XT2OUT pins.
 - If conformal coating is used, ensure that it does not induce capacitive or resistive leakage between the oscillator pins.
- (3) This represents the maximum frequency that can be input to the device externally. Maximum frequency achievable on the device operation is based on the frequencies present on ACLK, MCLK, and SMCLK cannot be exceed for a given range of operation.
- (4) When XT2BYPASS is set, the XT2 circuit is automatically powered down. Input signal is a digital square wave with parametrics defined in the Schmitt-trigger Inputs section of this data sheet.
- (5) Oscillation allowance is based on a safety factor of 5 for recommended crystals.
- (6) Includes parasitic bond and package capacitance (approximately 2 pF per pin). Because the PCB adds additional capacitance, TI recommends verifying the correct load by measuring the ACLK frequency. For a correct setup, the effective load capacitance should always match the specification of the used crystal.
- (7) Frequencies below the MIN specification set the fault flag. Frequencies above the MAX specification do not set the fault flag. Frequencies between the MIN and MAX specifications might set the flag.
- (8) Measured with logic-level input frequency but also applies to operation with crystals.

5.17 Internal Very-Low-Power Low-Frequency Oscillator (VLO)

over recommended ranges of supply voltage and operating free-air temperature (unless otherwise noted)

| PARAMETER | | TEST CONDITIONS | V _{CC} | MIN | TYP | MAX | UNIT |
|-------------------------------------|------------------------------------|---------------------------------|-----------------|-----|-----|-----|------|
| f _{VLO} | VLO frequency | Measured at ACLK | 1.8 V to 3.6 V | 6 | 9.4 | 14 | kHz |
| df _{VLO} /dT | VLO frequency temperature drift | Measured at ACLK ⁽¹⁾ | 1.8 V to 3.6 V | | 0.5 | | %/°C |
| df _{VLO} /dV _{CC} | VLO frequency supply voltage drift | Measured at ACLK ⁽²⁾ | 1.8 V to 3.6 V | | 4 | | %/V |
| | Duty cycle | Measured at ACLK | 1.8 V to 3.6 V | 40% | 50% | 60% | |

(1) Calculated using the box method: (MAX(−40°C to 85°C) – MIN(−40°C to 85°C)) / MIN(−40°C to 85°C) / (85°C – (−40°C))

(2) Calculated using the box method: (MAX(1.8 V to 3.6 V) – MIN(1.8 V to 3.6 V)) / MIN(1.8 V to 3.6 V) / (3.6 V – 1.8 V)

5.18 Internal Reference, Low-Frequency Oscillator (REFO)

over recommended ranges of supply voltage and operating free-air temperature (unless otherwise noted)

| PARAMETER | | TEST CONDITIONS | V _{CC} | MIN | TYP | MAX | UNIT |
|--------------------------------------|-------------------------------------|---|-----------------------|-------|-------|------|------|
| I _{REFO} | REFO oscillator current consumption | T _A = 25°C | 1.8 V to 3.6 V | | 3 | | μA |
| f _{REFO} | REFO frequency calibrated | Measured at ACLK | 1.8 V to 3.6 V | | 32768 | | Hz |
| | REFO absolute tolerance calibrated | Full temperature range T _A = 25°C | 1.8 V to 3.6 V 3 V | −3.5% | | 3.5% | |
| df _{REFO} /dT | REFO frequency temperature drift | Measured at ACLK ⁽¹⁾ | 1.8 V to 3.6 V | | 0.01 | | %/°C |
| df _{REFO} /dV _{CC} | REFO frequency supply voltage drift | Measured at ACLK ⁽²⁾ | 1.8 V to 3.6 V | | 1.0 | | %/V |
| | Duty cycle | Measured at ACLK | 1.8 V to 3.6 V | 40% | 50% | 60% | |
| t _{START} | REFO start-up time | 40%/60% duty cycle | 1.8 V to 3.6 V | | 25 | | μs |

(1) Calculated using the box method: (MAX(−40°C to 85°C) – MIN(−40°C to 85°C)) / MIN(−40°C to 85°C) / (85°C – (−40°C))

(2) Calculated using the box method: (MAX(1.8 V to 3.6 V) – MIN(1.8 V to 3.6 V)) / MIN(1.8 V to 3.6 V) / (3.6 V – 1.8 V)

5.19 DCO Frequency

over recommended ranges of supply voltage and operating free-air temperature (unless otherwise noted)

| PARAMETER | TEST CONDITIONS | MIN | TYP | MAX | UNIT |
|--------------------|--|--|------|------|-------|
| $f_{DCO(0,0)}$ | DCO frequency (0, 0) ⁽¹⁾ | DCORSELx = 0, DCOx = 0, MODx = 0 | 0.07 | 0.20 | MHz |
| $f_{DCO(0,31)}$ | DCO frequency (0, 31) ⁽¹⁾ | DCORSELx = 0, DCOx = 31, MODx = 0 | 0.70 | 1.70 | MHz |
| $f_{DCO(1,0)}$ | DCO frequency (1, 0) ⁽¹⁾ | DCORSELx = 1, DCOx = 0, MODx = 0 | 0.15 | 0.36 | MHz |
| $f_{DCO(1,31)}$ | DCO frequency (1, 31) ⁽¹⁾ | DCORSELx = 1, DCOx = 31, MODx = 0 | 1.47 | 3.45 | MHz |
| $f_{DCO(2,0)}$ | DCO frequency (2, 0) ⁽¹⁾ | DCORSELx = 2, DCOx = 0, MODx = 0 | 0.32 | 0.75 | MHz |
| $f_{DCO(2,31)}$ | DCO frequency (2, 31) ⁽¹⁾ | DCORSELx = 2, DCOx = 31, MODx = 0 | 3.17 | 7.38 | MHz |
| $f_{DCO(3,0)}$ | DCO frequency (3, 0) ⁽¹⁾ | DCORSELx = 3, DCOx = 0, MODx = 0 | 0.64 | 1.51 | MHz |
| $f_{DCO(3,31)}$ | DCO frequency (3, 31) ⁽¹⁾ | DCORSELx = 3, DCOx = 31, MODx = 0 | 6.07 | 14.0 | MHz |
| $f_{DCO(4,0)}$ | DCO frequency (4, 0) ⁽¹⁾ | DCORSELx = 4, DCOx = 0, MODx = 0 | 1.3 | 3.2 | MHz |
| $f_{DCO(4,31)}$ | DCO frequency (4, 31) ⁽¹⁾ | DCORSELx = 4, DCOx = 31, MODx = 0 | 12.3 | 28.2 | MHz |
| $f_{DCO(5,0)}$ | DCO frequency (5, 0) ⁽¹⁾ | DCORSELx = 5, DCOx = 0, MODx = 0 | 2.5 | 6.0 | MHz |
| $f_{DCO(5,31)}$ | DCO frequency (5, 31) ⁽¹⁾ | DCORSELx = 5, DCOx = 31, MODx = 0 | 23.7 | 54.1 | MHz |
| $f_{DCO(6,0)}$ | DCO frequency (6, 0) ⁽¹⁾ | DCORSELx = 6, DCOx = 0, MODx = 0 | 4.6 | 10.7 | MHz |
| $f_{DCO(6,31)}$ | DCO frequency (6, 31) ⁽¹⁾ | DCORSELx = 6, DCOx = 31, MODx = 0 | 39.0 | 88.0 | MHz |
| $f_{DCO(7,0)}$ | DCO frequency (7, 0) ⁽¹⁾ | DCORSELx = 7, DCOx = 0, MODx = 0 | 8.5 | 19.6 | MHz |
| $f_{DCO(7,31)}$ | DCO frequency (7, 31) ⁽¹⁾ | DCORSELx = 7, DCOx = 31, MODx = 0 | 60 | 135 | MHz |
| $S_{DCORSEL}$ | Frequency step between range DCORSEL and DCORSEL + 1 | $S_{RSEL} = f_{DCO(DCORSEL+1,DCO)} / f_{DCO(DCORSEL,DCO)}$ | 1.2 | 2.3 | ratio |
| S_{DCO} | Frequency step between tap DCO and DCO + 1 | $S_{DCO} = f_{DCO(DCORSEL,DCO+1)} / f_{DCO(DCORSEL,DCO)}$ | 1.02 | 1.12 | ratio |
| | Duty cycle | Measured at SMCLK | 40% | 50% | 60% |
| df_{DCO}/dT | DCO frequency temperature drift ⁽²⁾ | $f_{DCO} = 1$ MHz | | 0.1 | %/°C |
| df_{DCO}/dV_{CC} | DCO frequency voltage drift ⁽³⁾ | $f_{DCO} = 1$ MHz | | 1.9 | %/V |

- (1) When selecting the proper DCO frequency range (DCORSELx), the target DCO frequency, f_{DCO} , should be set to reside within the range of $f_{DCO(n,0),MAX} \leq f_{DCO} \leq f_{DCO(n,31),MIN}$, where $f_{DCO(n,0),MAX}$ represents the maximum frequency specified for the DCO frequency, range n, tap 0 (DCOx = 0) and $f_{DCO(n,31),MIN}$ represents the minimum frequency specified for the DCO frequency, range n, tap 31 (DCOx = 31). This ensures that the target DCO frequency resides within the range selected. It should also be noted that if the actual f_{DCO} frequency for the selected range causes the FLL or the application to select tap 0 or 31, the DCO fault flag is set to report that the selected range is at its minimum or maximum tap setting.
- (2) Calculated using the box method: $(MAX(-40^{\circ}C \text{ to } 85^{\circ}C) - MIN(-40^{\circ}C \text{ to } 85^{\circ}C)) / MIN(-40^{\circ}C \text{ to } 85^{\circ}C) / (85^{\circ}C - (-40^{\circ}C))$
- (3) Calculated using the box method: $(MAX(1.8 \text{ V to } 3.6 \text{ V}) - MIN(1.8 \text{ V to } 3.6 \text{ V})) / MIN(1.8 \text{ V to } 3.6 \text{ V}) / (3.6 \text{ V} - 1.8 \text{ V})$

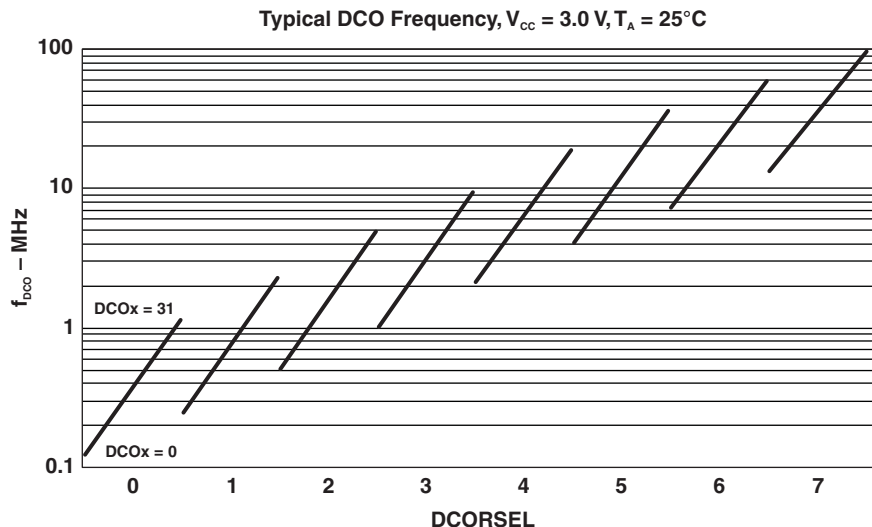


Figure 5-10. Typical DCO Frequency

5.20 PMM, Brown-Out Reset (BOR)

over recommended ranges of supply voltage and operating free-air temperature (unless otherwise noted)

| PARAMETER | | TEST CONDITIONS | MIN | TYP | MAX | UNIT |
|------------------------------|---|---------------------------------|------|------|------|------|
| V(DV _{CC} _BOR_IT-) | BOR _H on voltage, DV _{CC} falling level | dDV _{CC} /dt < 3 V/s | | | 1.45 | V |
| V(DV _{CC} _BOR_IT+) | BOR _H off voltage, DV _{CC} rising level | dDV _{CC} /dt < 3 V/s | 0.80 | 1.30 | 1.50 | V |
| V(DV _{CC} _BOR_hys) | BOR _H hysteresis | | 60 | | 250 | mV |
| t _{RESET} | Pulse duration required at $\overline{\text{RST}}$ /NMI pin to accept a reset | | 2 | | | μs |

5.21 PMM, Core Voltage

over recommended ranges of supply voltage and operating free-air temperature (unless otherwise noted)

| PARAMETER | | TEST CONDITIONS | MIN | TYP | MAX | UNIT |
|--------------------------|--|----------------------------------|-----|------|-----|------|
| V _{CORE3} (AM) | Core voltage, active mode, PMMCOREV = 3 | 2.4 V ≤ DV _{CC} ≤ 3.6 V | | 1.90 | | V |
| V _{CORE2} (AM) | Core voltage, active mode, PMMCOREV = 2 | 2.2 V ≤ DV _{CC} ≤ 3.6 V | | 1.80 | | V |
| V _{CORE1} (AM) | Core voltage, active mode, PMMCOREV = 1 | 2.0 V ≤ DV _{CC} ≤ 3.6 V | | 1.60 | | V |
| V _{CORE0} (AM) | Core voltage, active mode, PMMCOREV = 0 | 1.8 V ≤ DV _{CC} ≤ 3.6 V | | 1.40 | | V |
| V _{CORE3} (LPM) | Core voltage, low-current mode, PMMCOREV = 3 | 2.4 V ≤ DV _{CC} ≤ 3.6 V | | 1.94 | | V |
| V _{CORE2} (LPM) | Core voltage, low-current mode, PMMCOREV = 2 | 2.2 V ≤ DV _{CC} ≤ 3.6 V | | 1.84 | | V |
| V _{CORE1} (LPM) | Core voltage, low-current mode, PMMCOREV = 1 | 2.0 V ≤ DV _{CC} ≤ 3.6 V | | 1.64 | | V |
| V _{CORE0} (LPM) | Core voltage, low-current mode, PMMCOREV = 0 | 1.8 V ≤ DV _{CC} ≤ 3.6 V | | 1.44 | | V |

5.22 PMM, SVS High Side

over recommended ranges of supply voltage and operating free-air temperature (unless otherwise noted)

| PARAMETER | | TEST CONDITIONS | MIN | TYP | MAX | UNIT |
|-------------------------|---|--|------|------|------|------|
| I _(SVSH) | SVS current consumption | SVSHE = 0, DV _{CC} = 3.6 V | | 0 | | nA |
| | | SVSHE = 1, DV _{CC} = 3.6 V, SVSHFP = 0 | | 200 | | nA |
| | | SVSHE = 1, DV _{CC} = 3.6 V, SVSHFP = 1 | | 1.5 | | μA |
| V _(SVSH_IT-) | SVS _H on voltage level ⁽¹⁾ | SVSHE = 1, SVSHRVL = 0 | 1.57 | 1.68 | 1.78 | V |
| | | SVSHE = 1, SVSHRVL = 1 | 1.79 | 1.88 | 1.98 | |
| | | SVSHE = 1, SVSHRVL = 2 | 1.98 | 2.08 | 2.21 | |
| | | SVSHE = 1, SVSHRVL = 3 | 2.10 | 2.18 | 2.31 | |
| V _(SVSH_IT+) | SVS _H off voltage level ⁽¹⁾ | SVSHE = 1, SVSMHRRRL = 0 | 1.62 | 1.74 | 1.85 | V |
| | | SVSHE = 1, SVSMHRRRL = 1 | 1.88 | 1.94 | 2.07 | |
| | | SVSHE = 1, SVSMHRRRL = 2 | 2.07 | 2.14 | 2.28 | |
| | | SVSHE = 1, SVSMHRRRL = 3 | 2.20 | 2.30 | 2.42 | |
| | | SVSHE = 1, SVSMHRRRL = 4 | 2.32 | 2.40 | 2.55 | |
| | | SVSHE = 1, SVSMHRRRL = 5 | 2.52 | 2.70 | 2.88 | |
| | | SVSHE = 1, SVSMHRRRL = 6 | 2.90 | 3.10 | 3.23 | |
| | | SVSHE = 1, SVSMHRRRL = 7 | 2.90 | 3.10 | 3.23 | |
| t _{pd} (SVSH) | SVS _H propagation delay | SVSHE = 1, dV _{DVCC} /dt = 10 mV/μs, SVSHFP = 1 | | 2.5 | | μs |
| | | SVSHE = 1, dV _{DVCC} /dt = 1 mV/μs, SVSHFP = 0 | | 20 | | |
| t _(SVSH) | SVS _H on or off delay time | SVSHE = 0 → 1, SVSHFP = 1 | | 12.5 | | μs |
| | | SVSHE = 0 → 1, SVSHFP = 0 | | 100 | | |
| dV _{DVCC} /dt | DV _{CC} rise time | | 0 | | 1000 | V/s |

(1) The SVS_H settings available depend on the VCORE (PMMCOREVx) setting. See the *Power Management Module and Supply Voltage Supervisor* chapter in the *MSP430x5xx and MSP430x6xx Family User's Guide (SLAU208)* on recommended settings and use.

5.23 PMM, SVM High Side

over recommended ranges of supply voltage and operating free-air temperature (unless otherwise noted)

| PARAMETER | | TEST CONDITIONS | MIN | TYP | MAX | UNIT |
|----------------|---|--|------|------|------|------|
| $I_{(SVMH)}$ | SVM _H current consumption | SVMHE = 0, DV _{CC} = 3.6 V | | 0 | | nA |
| | | SVMHE = 1, DV _{CC} = 3.6 V, SVMHFP = 0 | | 200 | | nA |
| | | SVMHE = 1, DV _{CC} = 3.6 V, SVMHFP = 1 | | 1.5 | | μA |
| $V_{(SVMH)}$ | SVM _H on or off voltage level ⁽¹⁾ | SVMHE = 1, SVSMHRRRL = 0 | 1.62 | 1.74 | 1.85 | V |
| | | SVMHE = 1, SVSMHRRRL = 1 | 1.88 | 1.94 | 2.07 | |
| | | SVMHE = 1, SVSMHRRRL = 2 | 2.07 | 2.14 | 2.28 | |
| | | SVMHE = 1, SVSMHRRRL = 3 | 2.20 | 2.30 | 2.42 | |
| | | SVMHE = 1, SVSMHRRRL = 4 | 2.32 | 2.40 | 2.55 | |
| | | SVMHE = 1, SVSMHRRRL = 5 | 2.52 | 2.70 | 2.88 | |
| | | SVMHE = 1, SVSMHRRRL = 6 | 2.90 | 3.10 | 3.23 | |
| | | SVMHE = 1, SVSMHRRRL = 7 | 2.90 | 3.10 | 3.23 | |
| $t_{pd(SVMH)}$ | SVM _H propagation delay | SVMHE = 1, dV _{DVCC} /dt = 10 mV/μs, SVMHFP = 1 | | 2.5 | | μs |
| | | SVMHE = 1, dV _{DVCC} /dt = 1 mV/μs, SVMHFP = 0 | | 20 | | |
| $t_{(SVMH)}$ | SVM _H on or off delay time | SVMHE = 0 → 1, SVMHFP = 1 | | 12.5 | | μs |
| | | SVMHE = 0 → 1, SVMHFP = 0 | | 100 | | |

(1) The SVM_H settings available depend on the V_{CORE} (PMMCOREVx) setting. See the *Power Management Module and Supply Voltage Supervisor* chapter in the *MSP430x5xx and MSP430x6xx Family User's Guide (SLAU208)* on recommended settings and use.

5.24 PMM, SVS Low Side

over recommended ranges of supply voltage and operating free-air temperature (unless otherwise noted)

| PARAMETER | | TEST CONDITIONS | MIN | TYP | MAX | UNIT |
|----------------|---------------------------------------|--|-----|------|-----|------|
| $I_{(SVSL)}$ | SVS _L current consumption | SVSLE = 0, PMMCOREV = 2 | | 0 | | nA |
| | | SVSLE = 1, PMMCOREV = 2, SVSLFP = 0 | | 200 | | nA |
| | | SVSLE = 1, PMMCOREV = 2, SVSLFP = 1 | | 1.5 | | μA |
| $t_{pd(SVSL)}$ | SVS _L propagation delay | SVSLE = 1, dV _{CORE} /dt = 10 mV/μs, SVSLFP = 1 | | 2.5 | | μs |
| | | SVSLE = 1, dV _{CORE} /dt = 1 mV/μs, SVSLFP = 0 | | 20 | | |
| $t_{(SVSL)}$ | SVS _L on or off delay time | SVSLE = 0 → 1, dV _{CORE} /dt = 10 mV/μs, SVSLFP = 1 | | 12.5 | | μs |
| | | SVSLE = 0 → 1, dV _{CORE} /dt = 1 mV/μs, SVSLFP = 0 | | 100 | | |

5.25 PMM, SVM Low Side

over recommended ranges of supply voltage and operating free-air temperature (unless otherwise noted)

| PARAMETER | | TEST CONDITIONS | MIN | TYP | MAX | UNIT |
|----------------|---------------------------------------|--|-----|------|-----|------|
| $I_{(SVML)}$ | SVM _L current consumption | SVMLE = 0, PMMCOREV = 2 | | 0 | | nA |
| | | SVMLE = 1, PMMCOREV = 2, SVMLFP = 0 | | 200 | | nA |
| | | SVMLE = 1, PMMCOREV = 2, SVMLFP = 1 | | 1.5 | | μA |
| $t_{pd(SVML)}$ | SVM _L propagation delay | SVMLE = 1, dV _{CORE} /dt = 10 mV/μs, SVMLFP = 1 | | 2.5 | | μs |
| | | SVMLE = 1, dV _{CORE} /dt = 1 mV/μs, SVMLFP = 0 | | 20 | | |
| $t_{(SVML)}$ | SVM _L on or off delay time | SVMLE = 0 → 1, dV _{CORE} /dt = 10 mV/μs, SVMLFP = 1 | | 12.5 | | μs |
| | | SVMLE = 0 → 1, dV _{CORE} /dt = 1 mV/μs, SVMLFP = 0 | | 100 | | |

5.26 Wake-up Times From Low-Power Modes and Reset

over recommended ranges of supply voltage and operating free-air temperature (unless otherwise noted)

| PARAMETER | | TEST CONDITIONS | MIN | TYP | MAX | UNIT | |
|----------------------------|--|---|-----|---|-----|---------------|---------------|
| $t_{\text{WAKE-UP-FAST}}$ | Wake-up time from LPM2, LPM3, or LPM4 to active mode ⁽¹⁾ | PMMCOREV = SVSMLRRL = n (where n = 0, 1, 2, or 3), SVSLFP = 1 | | $f_{\text{MCLK}} \geq 4.0 \text{ MHz}$ | 3.5 | 7.5 | μs |
| | | | | $1.0 \text{ MHz} < f_{\text{MCLK}} < 4.0 \text{ MHz}$ | 4.5 | 9 | |
| $t_{\text{WAKE-UP-SLOW}}$ | Wake-up time from LPM2, LPM3 or LPM4 to active mode ⁽²⁾ | PMMCOREV = SVSMLRRL = n (where n = 0, 1, 2, or 3), SVSLFP = 0 | | 150 | 165 | μs | |
| $t_{\text{WAKE-UP-LPM5}}$ | Wake-up time from LPM4.5 to active mode ⁽³⁾ | | | 2 | 3 | ms | |
| $t_{\text{WAKE-UP-RESET}}$ | Wake-up time from $\overline{\text{RST}}$ or BOR event to active mode ⁽³⁾ | | | 2 | 3 | ms | |

- (1) This value represents the time from the wake-up event to the first active edge of MCLK. The wake-up time depends on the performance mode of the low-side supervisor (SVSL) and low-side monitor (SVM_L). Fastest wake-up times are possible with SVSL and SVM_L in full-performance mode or disabled when operating in AM, LPM0, and LPM1. Various options are available for SVSL and SVM_L while operating in LPM2, LPM3, and LPM4. See the *Power Management Module and Supply Voltage Supervisor* chapter in the *MSP430x5xx and MSP430x6xx Family User's Guide (SLAU208)*.
- (2) This value represents the time from the wake-up event to the first active edge of MCLK. The wake-up time depends on the performance mode of the low-side supervisor (SVSL) and low-side monitor (SVM_L). In this case, the SVSL and SVM_L are in normal mode (low current) mode when operating in AM, LPM0, and LPM1. Various options are available for SVSL and SVM_L while operating in LPM2, LPM3, and LPM4. See the *Power Management Module and Supply Voltage Supervisor* chapter in the *MSP430x5xx and MSP430x6xx Family User's Guide (SLAU208)*.
- (3) This value represents the time from the wake-up event to the reset vector execution.

5.27 Timer_A

over recommended ranges of supply voltage and operating free-air temperature (unless otherwise noted)

| PARAMETER | | TEST CONDITIONS | V _{CC} | MIN | MAX | UNIT |
|---------------------|-------------------------------|--|-----------------|-----|-----|------|
| f_{TA} | Timer_A input clock frequency | Internal: SMCLK, ACLK, External: TACLK, Duty cycle = 50% ± 10% | 1.8 V, 3 V | | 25 | MHz |
| $t_{\text{TA,cap}}$ | Timer_A capture timing | All capture inputs, minimum pulse duration required for capture | 1.8 V, 3 V | 20 | | ns |

5.28 Timer_B

over recommended ranges of supply voltage and operating free-air temperature (unless otherwise noted)

| PARAMETER | | TEST CONDITIONS | V _{CC} | MIN | MAX | UNIT |
|---------------------|-------------------------------|--|-----------------|-----|-----|------|
| f_{TB} | Timer_B input clock frequency | Internal: SMCLK, ACLK, External: TBCLK, Duty cycle = 50% ± 10% | 1.8 V, 3 V | | 25 | MHz |
| $t_{\text{TB,cap}}$ | Timer_B capture timing | All capture inputs, minimum pulse duration required for capture | 1.8 V, 3 V | 20 | | ns |

5.29 USCI (UART Mode) Clock Frequency

over recommended ranges of supply voltage and operating free-air temperature (unless otherwise noted)

| PARAMETER | | CONDITIONS | V _{CC} | MIN | MAX | UNIT |
|---------------------|---|---|-----------------|-----|---------------------|------|
| f _{USCI} | USCI input clock frequency | Internal: SMCLK, ACLK, External: UCLK, Duty cycle = 50% ± 10% | | | f _{SYSTEM} | MHz |
| f _{BITCLK} | BITCLK clock frequency (equals baud rate in MBaud) | | | | 1 | MHz |

5.30 USCI (UART Mode)

over recommended ranges of supply voltage and operating free-air temperature (unless otherwise noted)

| PARAMETER | | TEST CONDITIONS | V _{CC} | MIN | MAX | UNIT |
|----------------|---|-----------------|-----------------|-----|-----|------|
| t _t | UART receive deglitch time ⁽¹⁾ | | 2.2 V | 50 | 600 | ns |
| | | | 3 V | 50 | 600 | |

(1) Pulses on the UART receive input (UCxRX) shorter than the UART receive deglitch time are suppressed. To ensure that pulses are correctly recognized, their duration should exceed the maximum specification of the deglitch time.

5.31 USCI (SPI Master Mode) Clock Frequency

over recommended ranges of supply voltage and operating free-air temperature (unless otherwise noted)

| PARAMETER | | CONDITIONS | V _{CC} | MIN | MAX | UNIT |
|-------------------|----------------------------|--|-----------------|-----|---------------------|------|
| f _{USCI} | USCI input clock frequency | Internal: SMCLK, ACLK, Duty cycle = 50% ± 10% | | | f _{SYSTEM} | MHz |

5.32 USCI (SPI Master Mode)

over recommended ranges of supply voltage and operating free-air temperature (unless otherwise noted)⁽¹⁾

(see [Figure 5-11](#) and [Figure 5-12](#))

| PARAMETER | | TEST CONDITIONS | V _{CC} | MIN | MAX | UNIT |
|-----------------------|--|--|-----------------|-----|---------------------|------|
| f _{USCI} | USCI input clock frequency | SMCLK, ACLK, Duty cycle = 50% ± 10% | | | f _{SYSTEM} | MHz |
| t _{SU,MI} | SOMI input data setup time | PMMCOREV = 0 | 1.8 V | 55 | | ns |
| | | | 3.0 V | 38 | | |
| | | PMMCOREV = 3 | 2.4 V | 30 | | |
| | | | 3.0 V | 25 | | |
| t _{HD,MI} | SOMI input data hold time | PMMCOREV = 0 | 1.8 V | 0 | | ns |
| | | | 3.0 V | 0 | | |
| | | PMMCOREV = 3 | 2.4 V | 0 | | |
| | | | 3.0 V | 0 | | |
| t _{VALID,MO} | SIMO output data valid time ⁽²⁾ | UCLK edge to SIMO valid, C _L = 20 pF, PMMCOREV = 0 | 1.8 V | | 20 | ns |
| | | | 3.0 V | | 18 | |
| | | UCLK edge to SIMO valid, C _L = 20 pF, PMMCOREV = 3 | 2.4 V | | 16 | |
| | | | 3.0 V | | 15 | |
| t _{HD,MO} | SIMO output data hold time ⁽³⁾ | C _L = 20 pF, PMMCOREV = 0 | 1.8 V | -10 | | ns |
| | | | 3.0 V | -8 | | |
| | | C _L = 20 pF, PMMCOREV = 3 | 2.4 V | -10 | | |
| | | | 3.0 V | -8 | | |

(1) f_{UCxCLK} = 1/2t_{LO/HI} with t_{LO/HI} ≥ max(t_{VALID,MO}(USCI) + t_{SU,SI}(Slave), t_{SU,MI}(USCI) + t_{VALID,SO}(Slave)).

For the slave parameters t_{SU,SI}(Slave) and t_{VALID,SO}(Slave), see the SPI parameters of the attached slave.

(2) Specifies the time to drive the next valid data to the SIMO output after the output changing UCLK clock edge. See the timing diagrams in [Figure 5-11](#) and [Figure 5-12](#).

(3) Specifies how long data on the SIMO output is valid after the output changing UCLK clock edge. Negative values indicate that the data on the SIMO output can become invalid before the output changing clock edge observed on UCLK. See the timing diagrams in [Figure 5-11](#) and [Figure 5-12](#).

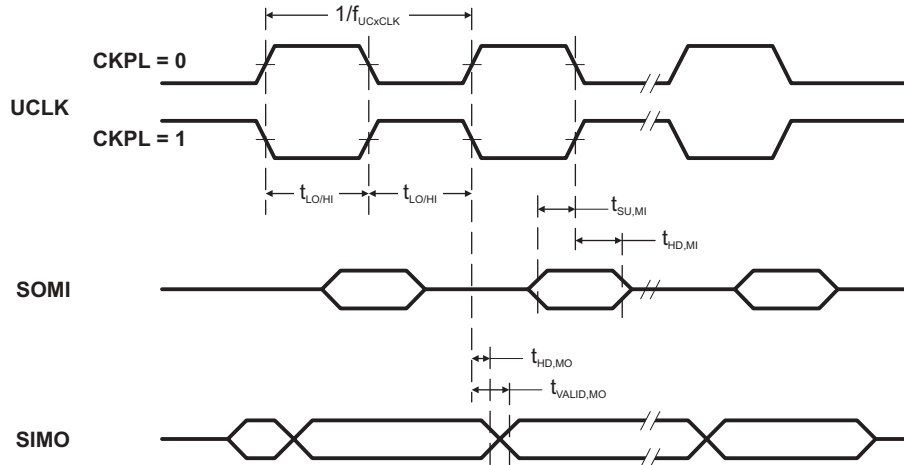


Figure 5-11. SPI Master Mode, CKPH = 0

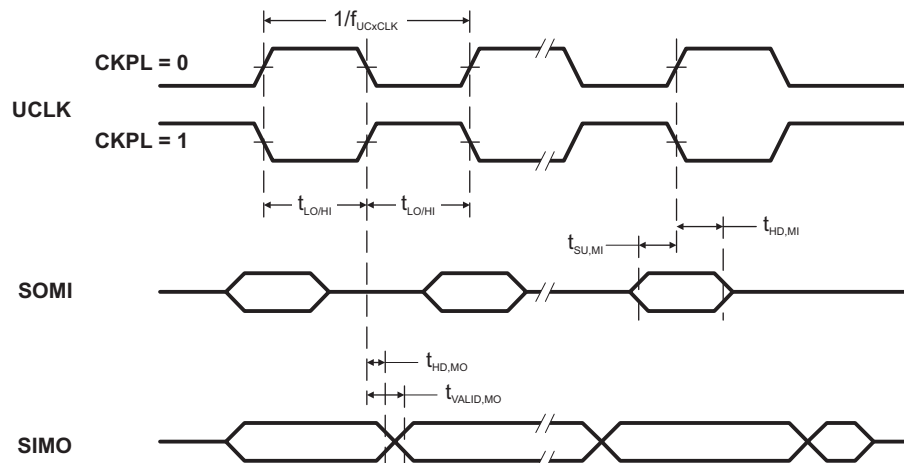


Figure 5-12. SPI Master Mode, CKPH = 1

5.33 USCI (SPI Slave Mode)

over recommended ranges of supply voltage and operating free-air temperature (unless otherwise noted)⁽¹⁾
(see [Figure 5-13](#) and [Figure 5-14](#))

| PARAMETER | | TEST CONDITIONS | V _{CC} | MIN | TYP | MAX | UNIT |
|-----------------------|---|---|-----------------|-----|-----|-----|------|
| t _{STE,LEAD} | STE lead time, STE low to clock | PMMCOREV = 0 | 1.8 V | 11 | | | ns |
| | | | 3.0 V | 8 | | | |
| | | PMMCOREV = 3 | 2.4 V | 7 | | | |
| | | | 3.0 V | 6 | | | |
| t _{STE,LAG} | STE lag time, Last clock to STE high | PMMCOREV = 0 | 1.8 V | 3 | | | ns |
| | | | 3.0 V | 3 | | | |
| | | PMMCOREV = 3 | 2.4 V | 3 | | | |
| | | | 3.0 V | 3 | | | |
| t _{STE,ACC} | STE access time, STE low to SOMI data out | PMMCOREV = 0 | 1.8 V | | | 66 | ns |
| | | | 3.0 V | | | 50 | |
| | | PMMCOREV = 3 | 2.4 V | | | 36 | |
| | | | 3.0 V | | | 30 | |
| t _{STE,DIS} | STE disable time, STE high to SOMI high impedance | PMMCOREV = 0 | 1.8 V | | | 30 | ns |
| | | | 3.0 V | | | 23 | |
| | | PMMCOREV = 3 | 2.4 V | | | 16 | |
| | | | 3.0 V | | | 13 | |
| t _{SU,SI} | SIMO input data setup time | PMMCOREV = 0 | 1.8 V | 5 | | | ns |
| | | | 3.0 V | 5 | | | |
| | | PMMCOREV = 3 | 2.4 V | 2 | | | |
| | | | 3.0 V | 2 | | | |
| t _{HD,SI} | SIMO input data hold time | PMMCOREV = 0 | 1.8 V | 5 | | | ns |
| | | | 3.0 V | 5 | | | |
| | | PMMCOREV = 3 | 2.4 V | 5 | | | |
| | | | 3.0 V | 5 | | | |
| t _{VALID,SO} | SOMI output data valid time ⁽²⁾ | UCLK edge to SOMI valid, C _L = 20 pF, PMMCOREV = 0 | 1.8 V | | | 76 | ns |
| | | | 3.0 V | | | 60 | |
| | | UCLK edge to SOMI valid, C _L = 20 pF, PMMCOREV = 3 | 2.4 V | | | 44 | |
| | | | 3.0 V | | | 40 | |
| t _{HD,SO} | SOMI output data hold time ⁽³⁾ | C _L = 20 pF, PMMCOREV = 0 | 1.8 V | 18 | | | ns |
| | | | 3.0 V | 12 | | | |
| | | C _L = 20 pF, PMMCOREV = 3 | 2.4 V | 10 | | | |
| | | | 3.0 V | 8 | | | |

- (1) $t_{UCxCLK} = 1/2t_{LO/HI}$ with $t_{LO/HI} \geq \max(t_{VALID,MO(Master)} + t_{SU,SI(USCI)}, t_{SU,MI(Master)} + t_{VALID,SO(USCI)})$. For the master parameters $t_{SU,MI(Master)}$ and $t_{VALID,MO(Master)}$, see the SPI parameters of the attached slave.
- (2) Specifies the time to drive the next valid data to the SOMI output after the output changing UCLK clock edge. See the timing diagrams in [Figure 5-13](#) and [Figure 5-14](#).
- (3) Specifies how long data on the SOMI output is valid after the output changing UCLK clock edge. See the timing diagrams in [Figure 5-13](#) and [Figure 5-14](#).

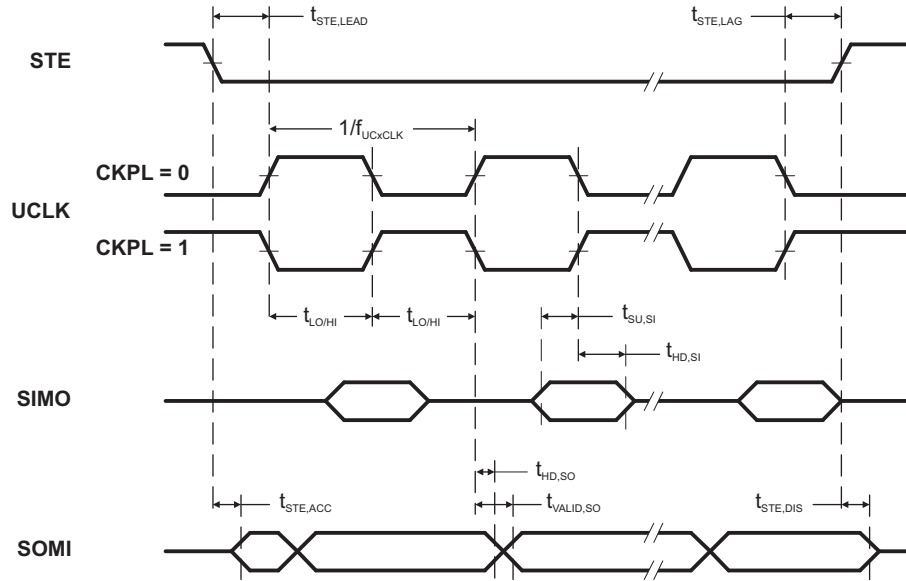


Figure 5-13. SPI Slave Mode, CKPH = 0

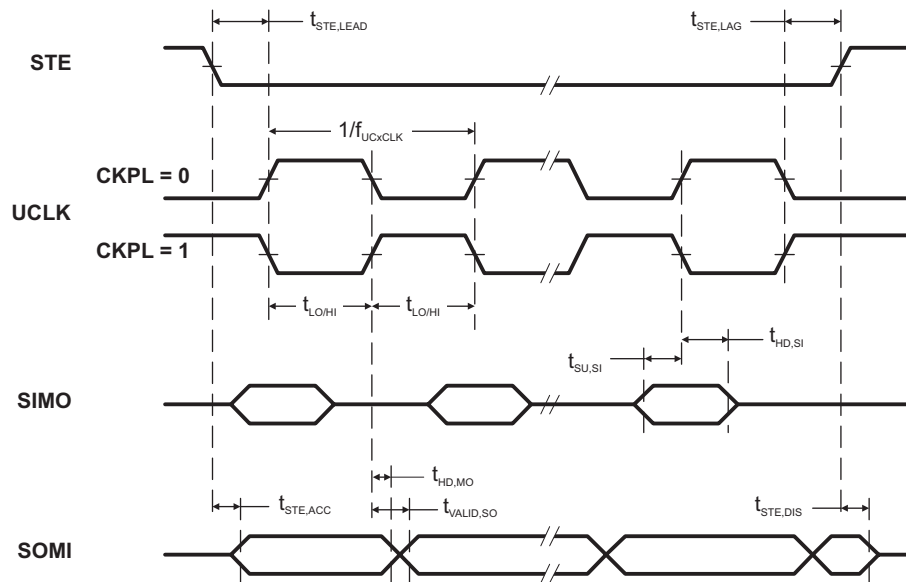


Figure 5-14. SPI Slave Mode, CKPH = 1

5.34 USCI (I²C Mode)

over recommended ranges of supply voltage and operating free-air temperature (unless otherwise noted) (see [Figure 5-15](#))

| PARAMETER | TEST CONDITIONS | V _{CC} | MIN | MAX | UNIT |
|---------------------|---|---|--------------|---------------------|------|
| f _{USCI} | USCI input clock frequency | Internal: SMCLK, ACLK External: UCLK Duty cycle = 50% ± 10% | | f _{SYSTEM} | MHz |
| f _{SCL} | SCL clock frequency | | 2.2 V, 3 V | 0 400 | kHz |
| t _{HD,STA} | Hold time (repeated) START | f _{SCL} ≤ 100 kHz f _{SCL} > 100 kHz | 2.2 V, 3 V | 4.0 0.6 | μs |
| t _{SU,STA} | Setup time for a repeated START | f _{SCL} ≤ 100 kHz f _{SCL} > 100 kHz | 2.2 V, 3 V | 4.7 0.6 | μs |
| t _{HD,DAT} | Data hold time | | 2.2 V, 3 V | 0 | ns |
| t _{SU,DAT} | Data setup time | | 2.2 V, 3 V | 250 | ns |
| t _{SU,STO} | Setup time for STOP | f _{SCL} ≤ 100 kHz f _{SCL} > 100 kHz | 2.2 V, 3 V | 4.0 0.6 | μs |
| t _{SP} | Pulse duration of spikes suppressed by input filter | | 2.2 V 3 V | 50 600 50 600 | ns |

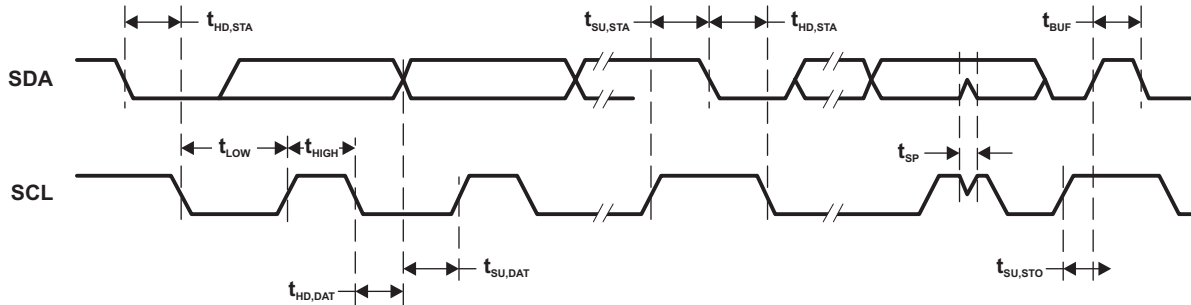


Figure 5-15. I²C Mode Timing

5.35 12-Bit ADC, Power Supply and Input Range Conditions

over recommended ranges of supply voltage and operating free-air temperature (unless otherwise noted)⁽¹⁾

| PARAMETER | | TEST CONDITIONS | V _{CC} | MIN | TYP | MAX | UNIT |
|----------------------|--|---|-----------------|-----|-----|------------------|------|
| AV _{CC} | Analog supply voltage | AVCC and DVCC are connected together, AVSS and DVSS are connected together, V _(AVSS) = V _(DVSS) = 0 V | | 2.2 | | 3.6 | V |
| V _(Ax) | Analog input voltage range ⁽²⁾ | All ADC12 analog input pins Ax | | 0 | | AV _{CC} | V |
| I _{ADC12_A} | Operating supply current into AVCC terminal ⁽³⁾ | f _{ADC12CLK} = 5.0 MHz ⁽⁴⁾ | 2.2 V | | 125 | 155 | μA |
| | | | 3 V | | 150 | 220 | |
| C _I | Input capacitance | Only one terminal Ax can be selected at one time | 2.2 V | | 20 | 25 | pF |
| R _I | Input MUX ON resistance | 0 V ≤ V _{Ax} ≤ AVCC | | 10 | 200 | 1900 | Ω |

(1) The leakage current is specified by the digital I/O input leakage.

(2) The analog input voltage range must be within the selected reference voltage range V_{R+} to V_{R-} for valid conversion results. If the reference voltage is supplied by an external source or if the internal reference voltage is used and REFOUT = 1, then decoupling capacitors are required. See Section 5.40 and Section 5.41.

(3) The internal reference supply current is not included in current consumption parameter I_{ADC12_A}.

(4) ADC12ON = 1, REFON = 0, SHT0 = 0, SHT1 = 0, ADC12DIV = 0

5.36 12-Bit ADC, Timing Parameters

over recommended ranges of supply voltage and operating free-air temperature (unless otherwise noted)

| PARAMETER | | TEST CONDITIONS | V _{CC} | MIN | TYP | MAX | UNIT |
|-----------------------|--|---|-----------------|------|-----|-----|------|
| f _{ADC12CLK} | ADC conversion clock | For specified performance of ADC12 linearity parameters using an external reference voltage or AVCC as reference ⁽¹⁾ | 2.2 V, 3 V | 0.45 | 4.8 | 5.0 | MHz |
| | | For specified performance of ADC12 linearity parameters using the internal reference ⁽²⁾ | | 0.45 | 2.4 | 4.0 | |
| | | For specified performance of ADC12 linearity parameters using the internal reference ⁽³⁾ | | 0.45 | 2.4 | 2.7 | |
| f _{ADC12OSC} | Internal ADC12 oscillator ⁽⁴⁾ | ADC12DIV = 0, f _{ADC12CLK} = f _{ADC12OSC} | 2.2 V, 3 V | 4.2 | 4.8 | 5.4 | MHz |
| t _{CONVERT} | Conversion time | REFON = 0, internal oscillator, ADC12OSC used for ADC conversion clock | 2.2 V, 3 V | 2.4 | | 3.1 | μs |
| | | External f _{ADC12CLK} from ACLK, MCLK, or SMCLK, ADC12SSEL ≠ 0 | | | (5) | | |
| t _{Sample} | Sampling time | R _S = 400 Ω, R _I = 1000 Ω, C _I = 20 pF, t = [R _S + R _I] × C _I ⁽⁶⁾ | 2.2 V, 3 V | 1000 | | | ns |

(1) REFOUT = 0, external reference voltage: SREF2 = 0, SREF1 = 1, SREF0 = 0. AVCC as reference voltage: SREF2 = 0, SREF1 = 0, SREF0 = 0. The specified performance of the ADC12 linearity is ensured when using the ADC12OSC. For other clock sources, the specified performance of the ADC12 linearity is ensured with f_{ADC12CLK} maximum of 5.0 MHz.

(2) SREF2 = 0, SREF1 = 1, SREF0 = 0, ADC12SR = 0, REFOUT = 1

(3) SREF2 = 0, SREF1 = 1, SREF0 = 0, ADC12SR = 0, REFOUT = 0. The specified performance of the ADC12 linearity is ensured when using the ADC12OSC divided by 2.

(4) The ADC12OSC is sourced directly from MODOSC inside the UCS.

(5) 13 × ADC12DIV × 1/f_{ADC12CLK}

(6) Approximately 10 Tau (t) are needed to get an error of less than ±0.5 LSB:

$$t_{\text{Sample}} = \ln(2^{n+1}) \times (R_S + R_I) \times C_I + 800 \text{ ns, where } n = \text{ADC resolution} = 12, R_S = \text{external source resistance}$$

5.37 12-Bit ADC, Linearity Parameters Using an External Reference Voltage or AVCC as Reference Voltage

over recommended ranges of supply voltage and operating free-air temperature (unless otherwise noted)

| PARAMETER | | TEST CONDITIONS | V _{CC} | MIN | TYP | MAX | UNIT |
|----------------|---|--------------------------------------|-----------------|-----|------|------|------|
| E _I | Integral linearity error ⁽¹⁾ | 1.4 V ≤ dVREF ≤ 1.6 V ⁽²⁾ | 2.2 V, 3 V | | | ±2.0 | LSB |
| | | 1.6 V < dVREF ⁽²⁾ | | | | ±1.7 | |
| E _D | Differential linearity error ⁽¹⁾ | ⁽²⁾ | 2.2 V, 3 V | | | ±1.0 | LSB |
| E _O | Offset error ⁽³⁾ | dVREF ≤ 2.2 V ⁽²⁾ | 2.2 V, 3 V | | ±1.0 | ±2.0 | LSB |
| | | dVREF > 2.2 V ⁽²⁾ | 2.2 V, 3 V | | ±1.0 | ±2.0 | |
| E _G | Gain error ⁽³⁾ | ⁽²⁾ | 2.2 V, 3 V | | ±1.0 | ±2.0 | LSB |
| E _T | Total unadjusted error | dVREF ≤ 2.2 V ⁽²⁾ | 2.2 V, 3 V | | ±1.4 | ±3.5 | LSB |
| | | dVREF > 2.2 V ⁽²⁾ | 2.2 V, 3 V | | ±1.4 | ±3.5 | |

(1) Parameters are derived using the histogram method.

(2) The external reference voltage is selected by: SREF2 = 0 or 1, SREF1 = 1, SREF0 = 0. dVREF = V_{R+} - V_{R-}. V_{R+} < AVCC, V_{R-} > AVSS. Unless otherwise mentioned, dVREF > 1.5 V. Impedance of the external reference voltage R < 100 Ω, and two decoupling capacitors, 10 μF and 100 nF, should be connected to VREF+ and VREF- to decouple the dynamic current. Also see the *MSP430x6xx and MSP430x6xx Family User's Guide (SLAU208)*.

(3) Parameters are derived using a best fit curve.

5.38 12-Bit ADC, Linearity Parameters Using the Internal Reference Voltage

over recommended ranges of supply voltage and operating free-air temperature (unless otherwise noted)

| PARAMETER | | TEST CONDITIONS ⁽¹⁾ | | V _{CC} | MIN | TYP | MAX | UNIT | |
|----------------|---|--------------------------------|---------------------------------|-----------------|-----|-----|----------------------|------|------|
| E _I | Integral linearity error ⁽²⁾ | ADC12SR = 0, REFOUT = 1 | f _{ADC12CLK} = 4.0 MHz | 2.2 V, 3 V | | | ±1.7 | LSB | |
| | | ADC12SR = 0, REFOUT = 0 | f _{ADC12CLK} = 2.7 MHz | | | | ±2.5 | | |
| E _D | Differential linearity error ⁽²⁾ | ADC12SR = 0, REFOUT = 1 | f _{ADC12CLK} = 4.0 MHz | 2.2 V, 3 V | | | -1.0 | LSB | |
| | | ADC12SR = 0, REFOUT = 1 | f _{ADC12CLK} = 2.7 MHz | | | | -1.0 | | +1.5 |
| | | ADC12SR = 0, REFOUT = 0 | f _{ADC12CLK} = 2.7 MHz | | | | -1.0 | | +2.5 |
| E _O | Offset error ⁽³⁾ | ADC12SR = 0, REFOUT = 1 | f _{ADC12CLK} = 4.0 MHz | 2.2 V, 3 V | | | ±1.0 | LSB | |
| | | ADC12SR = 0, REFOUT = 0 | f _{ADC12CLK} = 2.7 MHz | | | | ±1.0 | | ±2.0 |
| E _G | Gain error ⁽³⁾ | ADC12SR = 0, REFOUT = 1 | f _{ADC12CLK} = 4.0 MHz | 2.2 V, 3 V | | | ±1.0 | LSB | |
| | | ADC12SR = 0, REFOUT = 0 | f _{ADC12CLK} = 2.7 MHz | | | | ±1.5% ⁽⁴⁾ | | VREF |
| E _T | Total unadjusted error | ADC12SR = 0, REFOUT = 1 | f _{ADC12CLK} = 4.0 MHz | 2.2 V, 3 V | | | ±1.4 | LSB | |
| | | ADC12SR = 0, REFOUT = 0 | f _{ADC12CLK} = 2.7 MHz | | | | ±1.5% ⁽⁴⁾ | | VREF |

(1) The internal reference voltage is selected by: SREF2 = 0 or 1, SREF1 = 1, SREF0 = 1. dVREF = V_{R+} - V_{R-}.

(2) Parameters are derived using the histogram method.

(3) Parameters are derived using a best fit curve.

(4) The gain error and total unadjusted error are dominated by the accuracy of the integrated reference module absolute accuracy. In this mode the reference voltage used by the ADC12_A is not available on a pin.

5.39 12-Bit ADC, Temperature Sensor and Built-In V_{MID} ⁽¹⁾

over recommended ranges of supply voltage and operating free-air temperature (unless otherwise noted)

| PARAMETER | | TEST CONDITIONS | V_{CC} | MIN | TYP | MAX | UNIT |
|----------------------|--|---|------------|------|-----|------|----------------------|
| V_{SENSOR} | See ⁽²⁾ | ADC12ON = 1, INCH = 0Ah, $T_A = 0^\circ\text{C}$ | 2.2 V | 680 | | | mV |
| | | | 3 V | 680 | | | |
| TC_{SENSOR} | | ADC12ON = 1, INCH = 0Ah | 2.2 V | 2.25 | | | mV/ $^\circ\text{C}$ |
| | | | 3 V | 2.25 | | | |
| $t_{SENSOR(sample)}$ | Sample time required if channel 10 is selected ⁽³⁾ | ADC12ON = 1, INCH = 0Ah, Error of conversion result ≤ 1 LSB | 2.2 V | 100 | | | μs |
| | | | 3 V | 100 | | | |
| V_{MID} | AV_{CC} divider at channel 11, V_{AVCC} factor | ADC12ON = 1, INCH = 0Bh | | 0.48 | 0.5 | 0.52 | V_{AVCC} |
| | AV_{CC} divider at channel 11 | ADC12ON = 1, INCH = 0Bh | 2.2 V | 1.06 | 1.1 | 1.14 | V |
| | | | 3 V | 1.44 | 1.5 | 1.56 | |
| $t_{VMID(sample)}$ | Sample time required if channel 11 is selected ⁽⁴⁾ | ADC12ON = 1, INCH = 0Bh, Error of conversion result ≤ 1 LSB | 2.2 V, 3 V | 1000 | | | ns |

- (1) The temperature sensor is provided by the REF module. See the REF module parametric, I_{REF+} , regarding the current consumption of the temperature sensor.
- (2) The temperature sensor offset can be significant. TI recommends a single-point calibration to minimize the offset error of the built-in temperature sensor. The TLV structure contains calibration values for $30^\circ\text{C} \pm 3^\circ\text{C}$ and $85^\circ\text{C} \pm 3^\circ\text{C}$ for each of the available reference voltage levels. The sensor voltage can be computed as $V_{SENSE} = TC_{SENSOR} \times (\text{Temperature}, ^\circ\text{C}) + V_{SENSOR}$, where TC_{SENSOR} and V_{SENSOR} can be computed from the calibration values for higher accuracy. See also the *MSP430x5xx and MSP430x6xx Family User's Guide (SLAU208)*.
- (3) The typical equivalent impedance of the sensor is 51 k Ω . The sample time required includes the sensor-on time $t_{SENSOR(on)}$.
- (4) The on-time $t_{VMID(on)}$ is included in the sampling time $t_{VMID(sample)}$; no additional on time is needed.

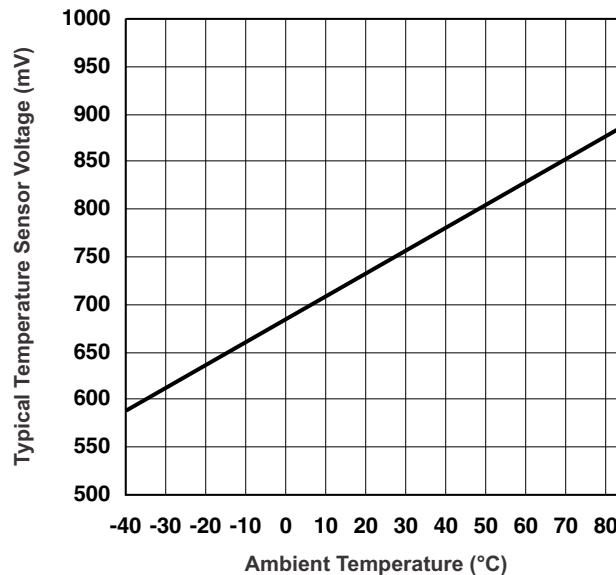


Figure 5-16. Typical Temperature Sensor Voltage

5.40 REF, External Reference

over recommended ranges of supply voltage and operating free-air temperature (unless otherwise noted)⁽¹⁾

| PARAMETER | | TEST CONDITIONS | V _{CC} | MIN | TYP | MAX | UNIT |
|---|---|---|-----------------|-------|-----|------------------|------|
| V _{eREF+} | Positive external reference voltage input | V _{eREF+} > V _{REF-} and V _{eREF-} ⁽²⁾ | | 1.4 | | AV _{CC} | V |
| V _{REF-} , V _{eREF-} | Negative external reference voltage input | V _{eREF+} > V _{REF-} and V _{eREF-} ⁽³⁾ | | 0 | | 1.2 | V |
| (V _{eREF+} – V _{REF-} or V _{eREF-}) | Differential external reference voltage input | V _{eREF+} > V _{REF-} and V _{eREF-} ⁽⁴⁾ | | 1.4 | | AV _{CC} | V |
| I _{VeREF+} , I _{VREF-} , I _{VeREF-} | Static input current | 1.4 V ≤ V _{eREF+} ≤ V _{AVCC} , V _{eREF-} = 0 V, f _{ADC12CLK} = 5 MHz, ADC12SHTx = 1h, Conversion rate 200 ksps | 2.2 V, 3 V | -26 | | 26 | μA |
| | | 1.4 V ≤ V _{eREF+} ≤ V _{AVCC} , V _{eREF-} = 0 V, f _{ADC12CLK} = 5 MHz, ADC12SHTx = 8h, Conversion rate 20 ksps | 2.2 V, 3 V | -1 | | 1 | μA |
| C _{VREF+} , C _{VREF-} | Capacitance at V _{VREF+} , V _{VREF-} terminal | | | (5)10 | | | μF |

- The external reference is used during ADC conversion to charge and discharge the capacitance array. The input capacitance (C_i) is also the dynamic load for an external reference during conversion. The dynamic impedance of the reference supply should follow the recommendations on analog-source impedance to allow the charge to settle for 12-bit accuracy.
- The accuracy limits the minimum positive external reference voltage. Lower reference voltage levels may be applied with reduced accuracy requirements.
- The accuracy limits the maximum negative external reference voltage. Higher reference voltage levels may be applied with reduced accuracy requirements.
- The accuracy limits minimum external differential reference voltage. Lower differential reference voltage levels may be applied with reduced accuracy requirements.
- Two decoupling capacitors, 10 μF and 100 nF, should be connected to VREF to decouple the dynamic current required for an external reference source if it is used for the ADC12_A. See also the *MSP430x5xx and MSP430x6xx Family User's Guide (SLAU208)*.

5.41 REF, Built-In Reference

over recommended ranges of supply voltage and operating free-air temperature (unless otherwise noted)⁽¹⁾

| PARAMETER | | TEST CONDITIONS | V _{CC} | MIN | TYP | MAX | UNIT |
|-----------------------|---|--|-----------------|--------|------|--------|------|
| V _{REF+} | Positive built-in reference voltage output | REFVSEL = {2} for 2.5 V, REFON = REFOUT = 1, I _{VREF+} = 0 A | 3 V | 2.4625 | 2.50 | 2.5375 | V |
| | | REFVSEL = {1} for 2.0 V, REFON = REFOUT = 1, I _{VREF+} = 0 A | 3 V | 1.9503 | 1.98 | 2.0097 | |
| | | REFVSEL = {0} for 1.5 V, REFON = REFOUT = 1, I _{VREF+} = 0 A | 2.2 V, 3 V | 1.4677 | 1.49 | 1.5124 | |
| AV _{CC(min)} | AV _{CC} minimum voltage, Positive built-in reference active | REFVSEL = {0} for 1.5 V | | 2.2 | | | V |
| | | REFVSEL = {1} for 2.0 V | | 2.3 | | | |
| | | REFVSEL = {2} for 2.5 V | | 2.8 | | | |
| I _{REF+} | Operating supply current into AV _{CC} terminal ⁽²⁾⁽³⁾ | ADC12SR = 1 ⁽⁴⁾ , REFON = 1, REFOUT = 0, REFBURST = 0 | 3 V | | 70 | 100 | μA |
| | | ADC12SR = 1 ⁽⁴⁾ , REFON = 1, REFOUT = 1, REFBURST = 0 | 3 V | | 0.45 | 0.75 | mA |
| | | ADC12SR = 0 ⁽⁴⁾ , REFON = 1, REFOUT = 0, REFBURST = 0 | 3 V | | 210 | 310 | μA |
| | | ADC12SR = 0 ⁽⁴⁾ , REFON = 1, REFOUT = 1, REFBURST = 0 | 3 V | | 0.95 | 1.7 | mA |

- The reference is supplied to the ADC by the REF module and is buffered locally inside the ADC. The ADC uses two internal buffers, one smaller and one larger for driving the VREF+ terminal. When REFOUT = 1, the reference is available at the VREF+ terminal, as well as, used as the reference for the conversion and uses the larger buffer. When REFOUT = 0, the reference is only used as the reference for the conversion and uses the smaller buffer.
- The internal reference current is supplied by terminal AV_{CC}. Consumption is independent of the ADC12ON control bit, unless a conversion is active. REFOUT = 0 represents the current contribution of the smaller buffer. REFOUT = 1 represents the current contribution of the larger buffer without external load.
- The temperature sensor is provided by the REF module. Its current is supplied via terminal AV_{CC} and is equivalent to I_{REF+} with REFON = 1 and REFOUT = 0.
- For devices without the ADC12, the parametrics with ADC12SR = 0 are applicable.

REF, Built-In Reference (continued)

over recommended ranges of supply voltage and operating free-air temperature (unless otherwise noted)⁽¹⁾

| PARAMETER | | TEST CONDITIONS | V _{CC} | MIN | TYP | MAX | UNIT |
|-----------------------|--|--|-----------------|-----|-----|------|--------|
| I _{L(VREF+)} | Load-current regulation, VREF+ terminal ⁽⁵⁾ | REFVSEL = (0, 1, 2), I _{VREF+} = +10 μA, –1000 μA, AV _{CC} = AV _{CC(min)} for each reference level, REFVSEL = (0, 1, 2), REFON = REFOUT = 1 | | | | 2500 | μV/mA |
| C _{VREF+} | Capacitance at VREF+ terminal | REFON = REFOUT = 1 | | 20 | | 100 | pF |
| TC _{VREF+} | Temperature coefficient of built-in reference ⁽⁶⁾ | I _{VREF+} = 0 A, REFVSEL = (0, 1, 2), REFON = 1, REFOUT = 0 or 1 | | | 30 | 50 | ppm/°C |
| PSRR _{DC} | Power supply rejection ratio (DC) | AV _{CC} = AV _{CC(min)} to AV _{CC(max)} , T _A = 25°C, REFVSEL = (0, 1, 2), REFON = 1, REFOUT = 0 or 1 | | | 120 | 300 | μV/V |
| PSRR _{AC} | Power supply rejection ratio (AC) | AV _{CC} = AV _{CC(min)} to AV _{CC(max)} , T _A = 25°C, f = 1 kHz, ΔV _{pp} = 100 mV, REFVSEL = (0, 1, 2), REFON = 1, REFOUT = 0 or 1 | | | 6.4 | | mV/V |
| t _{SETTLE} | Settling time of reference voltage ⁽⁷⁾ | AV _{CC} = AV _{CC(min)} to AV _{CC(max)} , REFVSEL = (0, 1, 2), REFOUT = 0, REFON = 0 → 1 | | | 75 | | μs |
| | | AV _{CC} = AV _{CC(min)} to AV _{CC(max)} , C _{VREF} = C _{VREF(max)} , REFVSEL = (0, 1, 2), REFOUT = 1, REFON = 0 → 1 | | | 75 | | |

(5) Contribution only due to the reference and buffer including package. This does not include resistance due to PCB trace.

(6) Calculated using the box method: (MAX(–40°C to 85°C) – MIN(–40°C to 85°C)) / MIN(–40°C to 85°C)/(85°C – (–40°C)).

(7) The condition is that the error in a conversion started after t_{REFON} is less than ±0.5 LSB. The settling time depends on the external capacitive load when REFOUT = 1.

5.42 Comparator_B

over recommended ranges of supply voltage and operating free-air temperature (unless otherwise noted)

| PARAMETER | TEST CONDITIONS | V _{CC} | MIN | TYP | MAX | UNIT | |
|------------------------|---|--|------------|--------------------------------|------------------------------|--------------------------------|---|
| V _{CC} | Supply voltage | | 1.8 | | 3.6 | V | |
| I _{AVCC_COMP} | Comparator operating supply current into AVCC, excludes reference resistor ladder | CBPWRMD = 00 | 1.8 V | | 40 | μA | |
| | | | 2.2 V | 30 | 50 | | |
| | | | 3.0 V | 40 | 65 | | |
| | | CBPWRMD = 01 | 2.2 V, 3 V | 10 | 30 | | |
| | | CBPWRMD = 10 | 2.2 V, 3 V | 0.1 | 0.5 | | |
| I _{AVCC_REF} | Quiescent current of local reference voltage amplifier into AVCC | CBREFACC = 1, CBREFLx = 01 | | | 22 | μA | |
| V _{IC} | Common mode input range | | 0 | | V _{CC} – 1 | V | |
| V _{OFFSET} | Input offset voltage | CBPWRMD = 00 | | –20 | 20 | mV | |
| | | CBPWRMD = 01, 10 | | –10 | 10 | | |
| C _{IN} | Input capacitance | | | 5 | | pF | |
| R _{SIN} | Series input resistance | ON (switch closed) | | 3 | 4 | kΩ | |
| | | OFF (switch open) | | 30 | | MΩ | |
| t _{PD} | Propagation delay, response time | CBPWRMD = 00, CBF = 0 | | | 450 | ns | |
| | | CBPWRMD = 01, CBF = 0 | | | 600 | | |
| | | CBPWRMD = 10, CBF = 0 | | | 50 | μs | |
| t _{PD,filter} | Propagation delay with filter active | CBPWRMD = 00, CBON = 1, CBF = 1, CBF _{DLY} = 00 | 0.35 | 0.6 | 1.0 | μs | |
| | | CBPWRMD = 00, CBON = 1, CBF = 1, CBF _{DLY} = 01 | 0.6 | 1.0 | 1.8 | | |
| | | CBPWRMD = 00, CBON = 1, CBF = 1, CBF _{DLY} = 10 | 1.0 | 1.8 | 3.4 | | |
| | | CBPWRMD = 00, CBON = 1, CBF = 1, CBF _{DLY} = 11 | 1.8 | 3.4 | 6.5 | | |
| t _{EN_CMP} | Comparator enable time, settling time | CBON = 0 to CBON = 1, CBPWRMD = 00, 01, 10 | | 1 | 2 | μs | |
| t _{EN_REF} | Resistor reference enable time | CBON = 0 to CBON = 1 | | 1 | 1.5 | μs | |
| V _{CB_REF} | Reference voltage for a given tap | V _{IN} = reference into resistor ladder (n = 0 to 31) | | V _{IN} × (n+0.5) / 32 | V _{IN} × (n+1) / 32 | V _{IN} × (n+1.5) / 32 | V |

5.43 Ports PU.0 and PU.1

over recommended ranges of supply voltage and operating free-air temperature (unless otherwise noted)

| PARAMETER | TEST CONDITIONS | MIN | MAX | UNIT |
|-----------------|---------------------------|---|-----|------|
| V _{OH} | High-level output voltage | V _{USB} = 3.3 V ± 10%, I _{OH} = –25 mA, See Figure 5-18 for typical characteristics | 2.4 | V |
| V _{OL} | Low-level output voltage | V _{USB} = 3.3 V ± 10%, I _{OL} = 25 mA, See Figure 5-17 for typical characteristics | 0.4 | V |
| V _{IH} | High-level input voltage | V _{USB} = 3.3 V ± 10%, See Figure 5-19 for typical characteristics | 2.0 | V |
| V _{IL} | Low-level input voltage | V _{USB} = 3.3 V ± 10%, See Figure 5-19 for typical characteristics | 0.8 | V |

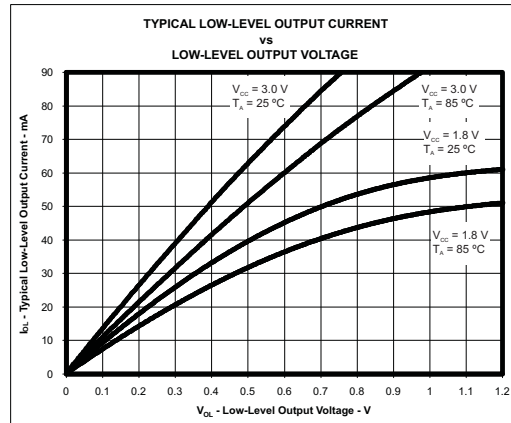


Figure 5-17. Ports PU.0, PU.1 Typical Low-Level Output Characteristics

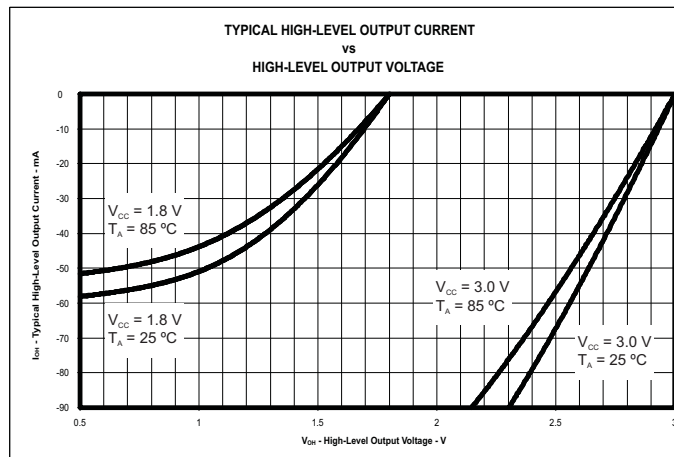


Figure 5-18. Ports PU.0, PU.1 Typical High-Level Output Characteristics

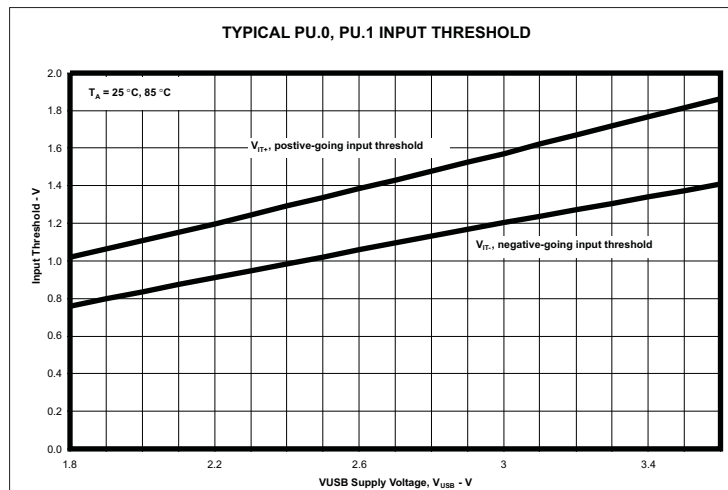


Figure 5-19. Ports PU.0, PU.1 Typical Input Threshold Characteristics

5.44 USB Output Ports DP and DM

over recommended ranges of supply voltage and operating free-air temperature (unless otherwise noted)

| PARAMETER | | TEST CONDITIONS | MIN | MAX | UNIT |
|-------------------|---------------------|--|-----|-----|------|
| V _{OH} | D+, D– single ended | USB 2.0 load conditions | 2.8 | 3.6 | V |
| V _{OL} | D+, D– single ended | USB 2.0 load conditions | 0 | 0.3 | V |
| Z(DRV) | D+, D– impedance | Including external series resistor of 27 Ω | 28 | 44 | Ω |
| t _{RISE} | Rise time | Full speed, differential, C _L = 50 pF, 10%/90%, Rpu on D+ | 4 | 20 | ns |
| t _{FALL} | Fall time | Full speed, differential, C _L = 50 pF, 10%/90%, Rpu on D+ | 4 | 20 | ns |

5.45 USB Input Ports DP and DM

over recommended ranges of supply voltage and operating free-air temperature (unless otherwise noted)

| PARAMETER | | MIN | MAX | UNIT |
|-------------------|--------------------------------------|-----|-----|------|
| V _(CM) | Differential input common mode range | 0.8 | 2.5 | V |
| Z _(IN) | Input impedance | 300 | | kΩ |
| V _{CRS} | Crossover voltage | 1.3 | 2.0 | V |
| V _{IL} | Static SE input logic low level | | 0.8 | V |
| V _{IH} | Static SE input logic high level | 2.0 | | V |
| V _{DI} | Differential input voltage | | 0.2 | V |

5.46 USB-PWR (USB Power System)

over recommended ranges of supply voltage and operating free-air temperature (unless otherwise noted)

| PARAMETER | | TEST CONDITIONS | V _{CC} | MIN | TYP | MAX | UNIT |
|---------------------------|---|--|-----------------|-------|-----|-------|------|
| V _{LAUNCH} | V _{BUS} detection threshold | | | | | 3.75 | V |
| V _{BUS} | USB bus voltage | Normal operation | | 3.76 | | 5.5 | V |
| V _{USB} | USB LDO output voltage | | | 3.003 | 3.3 | 3.597 | V |
| V ₁₈ | Internal USB voltage ⁽¹⁾ | | | | 1.8 | | V |
| I _{USB_EXT} | Maximum external current from VUSB terminal ⁽²⁾ | USB LDO is on | | | | 12 | mA |
| I _{DET} | USB LDO current overload detection ⁽³⁾ | | | 60 | | 100 | mA |
| I _{SUSPEND} | Operating supply current into VBUS terminal ⁽⁴⁾ | USB LDO is on, USB PLL disabled | | | | 250 | μA |
| I _{USB_LDO} | Operating supply current into VBUS terminal, represents the current of the 3.3-V LDO only | USB LDO is on, USB 1.8-V LDO is disabled, V _{BUS} = 5.0 V, USBDETEN = 0 or 1 | 1.8 V, 3 V | | 60 | | μA |
| I _{VBUS_DETE CT} | Operating supply current into VBUS terminal, represents the current of the VBUS detection logic | USB LDO is disabled, USB 1.8-V LDO is disabled, V _{BUS} > V _{LAUNCH} , USBDETEN = 1 | 1.8 V, 3 V | | 30 | | μA |
| C _{BUS} | VBUS terminal recommended capacitance | | | | 4.7 | | μF |
| C _{USB} | VUSB terminal recommended capacitance | | | | 220 | | nF |
| C ₁₈ | V18 terminal recommended capacitance | | | | 220 | | nF |
| t _{ENABLE} | Settling time V _{USB} and V ₁₈ | Within 2%, recommended capacitances | | | | 2 | ms |
| RPUR | Pullup resistance of PUR terminal ⁽⁵⁾ | | | 70 | 110 | 150 | Ω |

(1) This voltage is for internal uses only. No external DC loading should be applied.

(2) This represents additional current that can be supplied to the application from the VUSB terminal beyond the needs of the USB operation.

(3) A current overload will be detected when the total current supplied from the USB LDO, including I_{USB_EXT}, exceeds this value.

(4) Does not include current contribution of R_{pu} and R_{pd} as outlined in the USB specification.

(5) This value, in series with an external resistor between PUR and D+, produces the R_{pu} as outlined in the USB specification.

5.47 USB-PLL (USB Phase Locked Loop)

over recommended ranges of supply voltage and operating free-air temperature (unless otherwise noted)

| PARAMETER | | TEST CONDITIONS | V _{CC} | MIN | TYP | MAX | UNIT |
|---------------------|--------------------------|-----------------|-----------------|-----|------|-----|------|
| I _{PLL} | Operating supply current | | | | | 7 | mA |
| f _{PLL} | PLL frequency | | | | 48 | | MHz |
| f _{UPD} | PLL reference frequency | | | 1.5 | | 3 | MHz |
| t _{LOCK} | PLL lock time | | | | | 2 | ms |
| t _{Jitter} | PLL jitter | | | | 1000 | | ps |

5.48 Flash Memory

over recommended ranges of supply voltage and operating free-air temperature (unless otherwise noted)

| PARAMETER | | TEST CONDITIONS | MIN | TYP | MAX | UNIT |
|------------------------|---|--------------------------|--------|--------|-----|---------------|
| $DV_{CC(PGM,ERASE)}$ | Program and erase supply voltage | | 1.8 | | 3.6 | V |
| I_{PGM} | Average supply current from DVCC during program ⁽¹⁾ | | | 3 | 5 | mA |
| I_{ERASE} | Average supply current from DVCC during erase ⁽¹⁾ | | | 6 | 11 | mA |
| I_{MERASE}, I_{BANK} | Average supply current from DVCC during mass erase or bank erase ⁽¹⁾ | | | 6 | 11 | mA |
| t_{CPT} | Cumulative program time | See ⁽²⁾ | | | 16 | ms |
| | Program and erase endurance | | 10^4 | 10^5 | | cycles |
| $t_{Retention}$ | Data retention duration | $T_J = 25^\circ\text{C}$ | 100 | | | years |
| t_{Word} | Word or byte program time | See ⁽³⁾ | 64 | | 85 | μs |
| $t_{Block, 0}$ | Block program time for first byte or word | See ⁽³⁾ | 49 | | 65 | μs |
| $t_{Block, 1-(N-1)}$ | Block program time for each additional byte or word, except for last byte or word | See ⁽³⁾ | 37 | | 49 | μs |
| $t_{Block, N}$ | Block program time for last byte or word | See ⁽³⁾ | 55 | | 73 | μs |
| t_{Erase} | Erase time for segment, mass erase, and bank erase when available. | See ⁽³⁾ | 23 | | 32 | ms |
| $f_{MCLK,MRG}$ | MCLK frequency in marginal read mode (FCTL4.MRG0 = 1 or FCTL4.MRG1 = 1) | | 0 | | 1 | MHz |

- (1) Default clock system frequency of MCLK = 1 MHz, ACLK = 32768 Hz, SMCLK = 1 MHz. No peripherals are enabled or active.
- (2) The cumulative program time must not be exceeded when writing to a 128-byte flash block. This parameter applies to all programming methods: individual word- or byte-write and block-write modes.
- (3) These values are hardwired into the state machine of the flash controller.

5.49 JTAG and Spy-Bi-Wire Interface

over recommended ranges of supply voltage and operating free-air temperature (unless otherwise noted)

| PARAMETER | | TEST CONDITIONS | MIN | TYP | MAX | UNIT |
|----------------|--|-----------------|-------|-----|-----|---------------|
| f_{SBW} | Spy-Bi-Wire input frequency | 2.2 V, 3 V | 0 | | 20 | MHz |
| $t_{SBW,Low}$ | Spy-Bi-Wire low clock pulse duration | 2.2 V, 3 V | 0.025 | | 15 | μs |
| $t_{SBW,En}$ | Spy-Bi-Wire enable time (TEST high to acceptance of first clock edge) ⁽¹⁾ | 2.2 V, 3 V | | | 1 | μs |
| $t_{SBW,Rst}$ | Spy-Bi-Wire return to normal operation time | | 15 | | 100 | μs |
| f_{TCK} | TCK input frequency, 4-wire JTAG ⁽²⁾ | 2.2 V | 0 | | 5 | MHz |
| | | 3 V | 0 | | 10 | |
| $R_{Internal}$ | Internal pulldown resistance on TEST | 2.2 V, 3 V | 45 | 60 | 80 | k Ω |

- (1) Tools that access the Spy-Bi-Wire interface must wait for the $t_{SBW,En}$ time after pulling the TEST/SBWTCK pin high before applying the first SBWTCK clock edge.
- (2) f_{TCK} may be restricted to meet the timing requirements of the module selected.

6 Detailed Description

6.1 CPU ([Link to User's Guide](#))

The MSP430 CPU has a 16-bit RISC architecture that is highly transparent to the application. All operations, other than program-flow instructions, are performed as register operations in conjunction with seven addressing modes for source operand and four addressing modes for destination operand.

The CPU is integrated with 16 registers that provide reduced instruction execution time. The register-to-register operation execution time is one cycle of the CPU clock.

Four of the registers, R0 to R3, are dedicated as program counter, stack pointer, status register, and constant generator, respectively. The remaining registers are general-purpose registers.

Peripherals are connected to the CPU using data, address, and control buses, and can be handled with all instructions.

The instruction set consists of the original 51 instructions with three formats and seven address modes and additional instructions for the expanded address range. Each instruction can operate on word and byte data.

| | |
|--------------------------|-----------|
| Program Counter | PC/R0 |
| Stack Pointer | SP/R1 |
| Status Register | SR/CG1/R2 |
| Constant Generator | CG2/R3 |
| General-Purpose Register | R4 |
| General-Purpose Register | R5 |
| General-Purpose Register | R6 |
| General-Purpose Register | R7 |
| General-Purpose Register | R8 |
| General-Purpose Register | R9 |
| General-Purpose Register | R10 |
| General-Purpose Register | R11 |
| General-Purpose Register | R12 |
| General-Purpose Register | R13 |
| General-Purpose Register | R14 |
| General-Purpose Register | R15 |

6.2 Operating Modes

The MSP430 has one active mode and six software selectable low-power modes of operation. An interrupt event can wake up the device from any of the low-power modes, service the request, and restore back to the low-power mode on return from the interrupt program.

The following seven operating modes can be configured by software:

- Active mode (AM)
 - All clocks are active
- Low-power mode 0 (LPM0)
 - CPU is disabled
 - ACLK and SMCLK remain active, MCLK is disabled
 - FLL loop control remains active
- Low-power mode 1 (LPM1)
 - CPU is disabled
 - FLL loop control is disabled
 - ACLK and SMCLK remain active, MCLK is disabled
- Low-power mode 2 (LPM2)
 - CPU is disabled
 - MCLK, FLL loop control, and DCOCLK are disabled
 - DCO DC generator remains enabled
 - ACLK remains active
- Low-power mode 3 (LPM3)
 - CPU is disabled
 - MCLK, FLL loop control, and DCOCLK are disabled
 - DCO DC generator is disabled
 - ACLK remains active
- Low-power mode 4 (LPM4)
 - CPU is disabled
 - ACLK is disabled
 - MCLK, FLL loop control, and DCOCLK are disabled
 - DCO DC generator is disabled
 - Crystal oscillator is stopped
 - Complete data retention
- Low-power mode 4.5 (LPM4.5)
 - Internal regulator disabled
 - No data retention
 - Wake-up signal from $\overline{\text{RST}}/\text{NMI}$, P1, and P2

6.3 Interrupt Vector Addresses

The interrupt vectors and the power-up start address are located in the address range 0FFFFh to 0FF80h. The vector contains the 16-bit address of the appropriate interrupt-handler instruction sequence.

Table 6-1. Interrupt Sources, Flags, and Vectors

| INTERRUPT SOURCE | INTERRUPT FLAG | SYSTEM INTERRUPT | WORD ADDRESS | PRIORITY |
|--|---|------------------|--------------|-------------|
| System Reset Power-Up External Reset Watchdog Time-out, Password Violation Flash Memory Password Violation | WDTIFG, KEYV (SYSRSTIV) ⁽¹⁾⁽²⁾ | Reset | 0FFFEh | 63, highest |
| System NMI PMM Vacant Memory Access JTAG Mailbox | SVMLIFG, SVMHIFG, DLYLIFG, DLYHIFG, VLRLIFG, VLRHIFG, VMAIFG, JMBNIFG, JMBOUTIFG (SYSSNIV) ⁽¹⁾ | (Non)maskable | 0FFFCh | 62 |
| User NMI NMI Oscillator Fault Flash Memory Access Violation | NMIIFG, OFIFG, ACCVIFG, BUSIFG (SYSUNIV) ⁽¹⁾⁽²⁾ | (Non)maskable | 0FFFAh | 61 |
| Comp_B | Comparator B interrupt flags (CBIV) ⁽¹⁾⁽³⁾ | Maskable | 0FFF8h | 60 |
| TB0 | TB0CCR0 CCIFG0 ⁽³⁾ | Maskable | 0FFF6h | 59 |
| TB0 | TB0CCR1 CCIFG1 to TB0CCR6 CCIFG6, TB0IFG (TB0IV) ⁽¹⁾⁽³⁾ | Maskable | 0FFF4h | 58 |
| Watchdog Timer_A Interval Timer Mode | WDTIFG | Maskable | 0FFF2h | 57 |
| USCI_A0 Receive or Transmit | UCA0RXIFG, UCA0TXIFG (UCA0IV) ⁽¹⁾⁽³⁾ | Maskable | 0FFF0h | 56 |
| USCI_B0 Receive or Transmit | UCB0RXIFG, UCB0TXIFG (UCB0IV) ⁽¹⁾⁽³⁾ | Maskable | 0FFEEh | 55 |
| ADC12_A | ADC12IFG0 to ADC12IFG15 (ADC12IV) ⁽¹⁾⁽³⁾⁽⁴⁾ | Maskable | 0FFECCh | 54 |
| TA0 | TA0CCR0 CCIFG0 ⁽³⁾ | Maskable | 0FFEAh | 53 |
| TA0 | TA0CCR1 CCIFG1 to TA0CCR4 CCIFG4, TA0IFG (TA0IV) ⁽¹⁾⁽³⁾ | Maskable | 0FFE8h | 52 |
| USB_UBM | USB interrupts (USBIV) ⁽¹⁾⁽³⁾ | Maskable | 0FFE6h | 51 |
| DMA | DMA0IFG, DMA1IFG, DMA2IFG (DMAIV) ⁽¹⁾⁽³⁾ | Maskable | 0FFE4h | 50 |
| TA1 | TA1CCR0 CCIFG0 ⁽³⁾ | Maskable | 0FFE2h | 49 |
| TA1 | TA1CCR1 CCIFG1 to TA1CCR2 CCIFG2, TA1IFG (TA1IV) ⁽¹⁾⁽³⁾ | Maskable | 0FFE0h | 48 |
| I/O Port P1 | P1IFG.0 to P1IFG.7 (P1IV) ⁽¹⁾⁽³⁾ | Maskable | 0FFDEh | 47 |
| USCI_A1 Receive or Transmit | UCA1RXIFG, UCA1TXIFG (UCA1IV) ⁽¹⁾⁽³⁾ | Maskable | 0FFDCh | 46 |
| USCI_B1 Receive or Transmit | UCB1RXIFG, UCB1TXIFG (UCB1IV) ⁽¹⁾⁽³⁾ | Maskable | 0FFDAh | 45 |
| TA2 | TA2CCR0 CCIFG0 ⁽³⁾ | Maskable | 0FFD8h | 44 |
| TA2 | TA2CCR1 CCIFG1 to TA2CCR2 CCIFG2, TA2IFG (TA2IV) ⁽¹⁾⁽³⁾ | Maskable | 0FFD6h | 43 |
| I/O Port P2 | P2IFG.0 to P2IFG.7 (P2IV) ⁽¹⁾⁽³⁾ | Maskable | 0FFD4h | 42 |
| RTC_A | RTCRDYIFG, RTCTEVIFG, RTCAIFG, RT0PSIFG, RT1PSIFG (RTCIV) ⁽¹⁾⁽³⁾ | Maskable | 0FFD2h | 41 |
| Reserved | Reserved ⁽⁵⁾ | | 0FFD0h | 40 |
| | | | ⋮ | ⋮ |
| | | | 0FF80h | 0, lowest |

- (1) Multiple source flags
- (2) A reset is generated if the CPU tries to fetch instructions from within peripheral space or vacant memory space. (Non)maskable: the individual interrupt-enable bit can disable an interrupt event, but the general-interrupt enable cannot disable it.
- (3) Interrupt flags are located in the module.
- (4) Only on devices with ADC, otherwise reserved.
- (5) Reserved interrupt vectors at addresses are not used in this device and can be used for regular program code if necessary. To maintain compatibility with other devices, TI recommends reserving these locations.

6.4 Memory Organization

Table 6-2. Memory Organization⁽¹⁾

| | | MSP430F5522 MSP430F5521 MSP430F5513 | MSP430F5525 MSP430F5524 MSP430F5515 MSP430F5514 | MSP430F5527 MSP430F5526 MSP430F5517 | MSP430F5529 MSP430F5528 MSP430F5519 |
|--|------------|--|--|--|--|
| Memory (flash) Main: interrupt vector | Total Size | 32KB 00FFFFh–00FF80h | 64KB 00FFFFh–00FF80h | 96KB 00FFFFh–00FF80h | 128KB 00FFFFh–00FF80h |
| Main: code memory | Bank D | N/A | N/A | N/A | 32KB 0243FFh–01C400h |
| | Bank C | N/A | N/A | 32KB 01C3FFh–014400h | 32KB 01C3FFh–014400h |
| | Bank B | 15KB 00FFFFh–00C400h | 32KB 0143FFh–00C400h | 32KB 0143FFh–00C400h | 32KB 0143FFh–00C400h |
| | Bank A | 17KB 00C3FFh–008000h | 32KB 00C3FFh–004400h | 32KB 00C3FFh–004400h | 32KB 00C3FFh–004400h |
| RAM | Sector 3 | 2KB ⁽²⁾ 0043FFh–003C00h | N/A | N/A | 2KB 0043FFh–003C00h |
| | Sector 2 | 2KB ⁽³⁾ 003BFFh–003400h | N/A | 2KB 003BFFh–003400h | 2KB 003BFFh–003400h |
| | Sector 1 | 2KB 0033FFh–002C00h | 2KB 0033FFh–002C00h | 2KB 0033FFh–002C00h | 2KB 0033FFh–002C00h |
| | Sector 0 | 2KB 002BFFh–002400h | 2KB 002BFFh–002400h | 2KB 002BFFh–002400h | 2KB 002BFFh–002400h |
| USB RAM ⁽⁴⁾ | Sector 7 | 2KB 0023FFh–001C00h | 2KB 0023FFh–001C00h | 2KB 0023FFh–001C00h | 2KB 0023FFh–001C00h |
| Information memory (flash) | Info A | 128 B 0019FFh–001980h | 128 B 0019FFh–001980h | 128 B 0019FFh–001980h | 128 B 0019FFh–001980h |
| | Info B | 128 B 00197Fh–001900h | 128 B 00197Fh–001900h | 128 B 00197Fh–001900h | 128 B 00197Fh–001900h |
| | Info C | 128 B 0018FFh–001880h | 128 B 0018FFh–001880h | 128 B 0018FFh–001880h | 128 B 0018FFh–001880h |
| | Info D | 128 B 00187Fh–001800h | 128 B 00187Fh–001800h | 128 B 00187Fh–001800h | 128 B 00187Fh–001800h |
| Bootstrap loader (BSL) memory (flash) | BSL 3 | 512 B 0017FFh–001600h | 512 B 0017FFh–001600h | 512 B 0017FFh–001600h | 512 B 0017FFh–001600h |
| | BSL 2 | 512 B 0015FFh–001400h | 512 B 0015FFh–001400h | 512 B 0015FFh–001400h | 512 B 0015FFh–001400h |
| | BSL 1 | 512 B 0013FFh–001200h | 512 B 0013FFh–001200h | 512 B 0013FFh–001200h | 512 B 0013FFh–001200h |
| | BSL 0 | 512 B 0011FFh–001000h | 512 B 0011FFh–001000h | 512 B 0011FFh–001000h | 512 B 0011FFh–001000h |
| Peripherals | Size | 4KB 000FFFh–0h | 4KB 000FFFh–0h | 4KB 000FFFh–0h | 4KB 000FFFh–0h |

(1) N/A = Not available

(2) MSP430F5522 only

(3) MSP430F5522, MSP430F5521 only

(4) USB RAM can be used as general purpose RAM when not used for USB operation.

6.5 Bootstrap Loader (BSL)

The BSL enables users to program the flash memory or RAM using various serial interfaces. Access to the device memory by the BSL is protected by a user-defined password. For further details on interfacing to development tools and device programmers, see the *MSP430 Hardware Tools User's Guide (SLAU278)*. For complete description of the features of the BSL and its implementation, see the *MSP430 Programming Via the Bootstrap Loader User's Guide (SLAU319)*.

6.5.1 USB BSL

All devices come preprogrammed with the USB BSL. Use of the USB BSL requires external access to the six pins shown in [Table 6-3](#). In addition to these pins, the application must support external components necessary for normal USB operation; for example, the proper crystal on XT2IN and XT2OUT, proper decoupling, and so on.

Table 6-3. USB BSL Pin Requirements and Functions

| DEVICE SIGNAL | BSL FUNCTION |
|---------------|------------------------------|
| PU.0/DP | USB data terminal DP |
| PU.1/DM | USB data terminal DM |
| PUR | USB pullup resistor terminal |
| VBUS | USB bus power supply |
| VSSU | USB ground supply |

NOTE

The default USB BSL evaluates the logic level of the PUR pin after a BOR reset. If the PUR pin is pulled high externally, then the BSL is invoked. Therefore, unless the application is invoking the BSL, it is important to keep PUR pulled low after a BOR reset, even if BSL or USB is never used. TI recommends applying a 1-M Ω resistor to ground.

6.5.2 UART BSL

A UART BSL is also available that can be programmed by the user into the BSL memory by replacing the preprogrammed, factory supplied, USB BSL. Use of the UART BSL requires external access to the six pins shown in [Table 6-4](#).

Table 6-4. UART BSL Pin Requirements and Functions

| DEVICE SIGNAL | BSL FUNCTION |
|----------------|-----------------------|
| RST/NMI/SBWDIO | Entry sequence signal |
| TEST/SBWTCK | Entry sequence signal |
| P1.1 | Data transmit |
| P1.2 | Data receive |
| VCC | Power supply |
| VSS | Ground supply |

6.6 JTAG Operation

6.6.1 JTAG Standard Interface

The MSP430 family supports the standard JTAG interface which requires four signals for sending and receiving data. The JTAG signals are shared with general-purpose I/O. The TEST/SBWTCK pin is used to enable the JTAG signals. In addition to these signals, the $\overline{\text{RST}}/\text{NMI}/\text{SBWTDIO}$ is required to interface with MSP430 development tools and device programmers. The JTAG pin requirements are shown in [Table 6-5](#). For further details on interfacing to development tools and device programmers, see the *MSP430 Hardware Tools User's Guide* ([SLAU278](#)). For a complete description of the features of the JTAG interface and its implementation, see *MSP430 Programming Via the JTAG Interface* ([SLAU320](#)).

Table 6-5. JTAG Pin Requirements and Functions

| DEVICE SIGNAL | DIRECTION | FUNCTION |
|---|-----------|-----------------------------|
| PJ.3/TCK | IN | JTAG clock input |
| PJ.2/TMS | IN | JTAG state control |
| PJ.1/TDI/TCLK | IN | JTAG data input, TCLK input |
| PJ.0/TDO | OUT | JTAG data output |
| TEST/SBWTCK | IN | Enable JTAG pins |
| $\overline{\text{RST}}/\text{NMI}/\text{SBWTDIO}$ | IN | External reset |
| VCC | | Power supply |
| VSS | | Ground supply |

6.6.2 Spy-Bi-Wire Interface

In addition to the standard JTAG interface, the MSP430 family supports the two wire Spy-Bi-Wire interface. Spy-Bi-Wire can be used to interface with MSP430 development tools and device programmers. The Spy-Bi-Wire interface pin requirements are shown in [Table 6-6](#). For further details on interfacing to development tools and device programmers, see the *MSP430 Hardware Tools User's Guide* ([SLAU278](#)). For a complete description of the features of the JTAG interface and its implementation, see *MSP430 Programming Via the JTAG Interface* ([SLAU320](#)).

Table 6-6. Spy-Bi-Wire Pin Requirements and Functions

| DEVICE SIGNAL | DIRECTION | FUNCTION |
|---|-----------|-------------------------------|
| TEST/SBWTCK | IN | Spy-Bi-Wire clock input |
| $\overline{\text{RST}}/\text{NMI}/\text{SBWTDIO}$ | IN, OUT | Spy-Bi-Wire data input/output |
| VCC | | Power supply |
| VSS | | Ground supply |

6.7 Flash Memory ([Link to User's Guide](#))

The flash memory can be programmed through the JTAG port, Spy-Bi-Wire (SBW), the BSL, or in-system by the CPU. The CPU can perform single-byte, single-word, and long-word writes to the flash memory. Features of the flash memory include:

- Flash memory has n segments of main memory and four segments of information memory (A to D) of 128 bytes each. Each segment in main memory is 512 bytes in size.
- Segments 0 to n may be erased in one step, or each segment may be individually erased.
- Segments A to D can be erased individually. Segments A to D are also called *information memory*.
- Segment A can be locked separately.

6.8 RAM ([Link to User's Guide](#))

The RAM is made up of n sectors. Each sector can be completely powered down to save leakage; however, all data is lost. Features of the RAM include:

- RAM has n sectors. The size of a sector can be found in [Section 6.4](#).
- Each sector 0 to n can be completely disabled; however, data retention is lost.
- Each sector 0 to n automatically enters low-power retention mode when possible.
- For devices that contain USB memory, the USB memory can be used as normal RAM if USB is not required.

6.9 Peripherals

Peripherals are connected to the CPU through data, address, and control buses. Peripherals can be handled using all instructions. For complete module descriptions, see the *MSP430x5xx and MSP430x6xx Family User's Guide* (SLAU208).

6.9.1 Digital I/O ([Link to User's Guide](#))

There are up to eight 8-bit I/O ports implemented: For 80 pin options, P1, P2, P3, P4, P5, P6, and P7 are complete, and P8 is reduced to 3-bit I/O. For 64 pin options, P3 and P5 are reduced to 5-bit I/O and 6-bit I/O, respectively, and P7 and P8 are completely removed. Port PJ contains four individual I/O ports, common to all devices.

- All individual I/O bits are independently programmable.
- Any combination of input, output, and interrupt conditions is possible.
- Pullup or pulldown on all ports is programmable.
- Drive strength on all ports is programmable.
- Edge-selectable interrupt and LPM4.5 wakeup input capability is available for all bits of ports P1 and P2.
- Read and write access to port-control registers is supported by all instructions.
- Ports can be accessed byte-wise (P1 through P8) or word-wise in pairs (PA through PD).

6.9.2 Port Mapping Controller ([Link to User's Guide](#))

The port mapping controller allows the flexible and reconfigurable mapping of digital functions to port P4 (see [Table 6-7](#)). [Table 6-8](#) shows the default mappings.

Table 6-7. Port Mapping Mnemonics and Functions

| VALUE | PxMAPy MNEMONIC | INPUT PIN FUNCTION | OUTPUT PIN FUNCTION |
|--------------------------|-----------------|--|------------------------------|
| 0 | PM_NONE | None | DVSS |
| 1 | PM_CBOU0 | - | Comparator_B output |
| | PM_TB0CLK | TB0 clock input | |
| 2 | PM_ADC12CLK | - | ADC12CLK |
| | PM_DMAE0 | DMAE0 input | |
| 3 | PM_SVMOUT | - | SVM output |
| | PM_TB0OUTH | TB0 high impedance input TB0OUTH | |
| 4 | PM_TB0CCR0A | TB0 CCR0 capture input CCI0A | TB0 CCR0 compare output Out0 |
| 5 | PM_TB0CCR1A | TB0 CCR1 capture input CCI1A | TB0 CCR1 compare output Out1 |
| 6 | PM_TB0CCR2A | TB0 CCR2 capture input CCI2A | TB0 CCR2 compare output Out2 |
| 7 | PM_TB0CCR3A | TB0 CCR3 capture input CCI3A | TB0 CCR3 compare output Out3 |
| 8 | PM_TB0CCR4A | TB0 CCR4 capture input CCI4A | TB0 CCR4 compare output Out4 |
| 9 | PM_TB0CCR5A | TB0 CCR5 capture input CCI5A | TB0 CCR5 compare output Out5 |
| 10 | PM_TB0CCR6A | TB0 CCR6 capture input CCI6A | TB0 CCR6 compare output Out6 |
| 11 | PM_UCA1RXD | USCI_A1 UART RXD (Direction controlled by USCI – input) | |
| | PM_UCA1SOMI | USCI_A1 SPI slave out master in (direction controlled by USCI) | |
| 12 | PM_UCA1TXD | USCI_A1 UART TXD (Direction controlled by USCI – output) | |
| | PM_UCA1SIMO | USCI_A1 SPI slave in master out (direction controlled by USCI) | |
| 13 | PM_UCA1CLK | USCI_A1 clock input/output (direction controlled by USCI) | |
| | PM_UCB1STE | USCI_B1 SPI slave transmit enable (direction controlled by USCI) | |
| 14 | PM_UCB1SOMI | USCI_B1 SPI slave out master in (direction controlled by USCI) | |
| | PM_UCB1SCL | USCI_B1 I ² C clock (open drain and direction controlled by USCI) | |
| 15 | PM_UCB1SIMO | USCI_B1 SPI slave in master out (direction controlled by USCI) | |
| | PM_UCB1SDA | USCI_B1 I ² C data (open drain and direction controlled by USCI) | |
| 16 | PM_UCB1CLK | USCI_B1 clock input/output (direction controlled by USCI) | |
| | PM_UCA1STE | USCI_A1 SPI slave transmit enable (direction controlled by USCI) | |
| 17 | PM_CBOU1 | None | Comparator_B output |
| 18 | PM_MCLK | None | MCLK |
| 19 - 30 | Reserved | None | DVSS |
| 31 (0FFh) ⁽¹⁾ | PM_ANALOG | Disables the output driver and the input Schmitt-trigger to prevent parasitic cross currents when applying analog signals. | |

(1) The value of the PM_ANALOG mnemonic is set to 0FFh. The port mapping registers are only 5 bits wide and the upper bits are ignored resulting in a read out value of 31.

Table 6-8. Default Mapping

| PIN | PxMAPy MNEMONIC | INPUT PIN FUNCTION | OUTPUT PIN FUNCTION |
|-------------|------------------------|--|---------------------|
| P4.0/P4MAP0 | PM_UCB1STE/PM_UCA1CLK | USCI_B1 SPI slave transmit enable (direction controlled by USCI) USCI_A1 clock input/output (direction controlled by USCI) | |
| P4.1/P4MAP1 | PM_UCB1SIMO/PM_UCB1SDA | USCI_B1 SPI slave in master out (direction controlled by USCI) USCI_B1 I ² C data (open drain and direction controlled by USCI) | |
| P4.2/P4MAP2 | PM_UCB1SOMI/PM_UCB1SCL | USCI_B1 SPI slave out master in (direction controlled by USCI) USCI_B1 I ² C clock (open drain and direction controlled by USCI) | |
| P4.3/P4MAP3 | PM_UCB1CLK/PM_UCA1STE | USCI_A1 SPI slave transmit enable (direction controlled by USCI) USCI_B1 clock input/output (direction controlled by USCI) | |
| P4.4/P4MAP4 | PM_UCA1TXD/PM_UCA1SIMO | USCI_A1 UART TXD (Direction controlled by USCI – output) USCI_A1 SPI slave in master out (direction controlled by USCI) | |
| P4.5/P4MAP5 | PM_UCA1RXD/PM_UCA1SOMI | USCI_A1 UART RXD (Direction controlled by USCI – input) USCI_A1 SPI slave out master in (direction controlled by USCI) | |
| P4.6/P4MAP6 | PM_NONE | None | DVSS |
| P4.7/P4MAP7 | PM_NONE | None | DVSS |

6.9.3 Oscillator and System Clock ([Link to User's Guide](#))

The clock system in the MSP430F552x and MSP430F551x family of devices is supported by the Unified Clock System (UCS) module that includes support for a 32-kHz watch crystal oscillator (XT1 LF mode) (XT1 HF mode is not supported), an internal very-low-power low-frequency oscillator (VLO), an internal trimmed low-frequency oscillator (REFO), an integrated internal digitally controlled oscillator (DCO), and a high-frequency crystal oscillator (XT2). The UCS module is designed to meet the requirements of both low system cost and low power consumption. The UCS module features digital frequency locked loop (FLL) hardware that, in conjunction with a digital modulator, stabilizes the DCO frequency to a programmable multiple of the selected FLL reference frequency. The internal DCO provides a fast turnon clock source and stabilizes in 3.5 μs (typical). The UCS module provides the following clock signals:

- Auxiliary clock (ACLK), sourced from a 32-kHz watch crystal (XT1), a high-frequency crystal (XT2), the internal low-frequency oscillator (VLO), the trimmed low-frequency oscillator (REFO), or the internal digitally controlled oscillator DCO.
- Main clock (MCLK), the system clock used by the CPU. MCLK can be sourced by same sources made available to ACLK.
- Sub-Main clock (SMCLK), the subsystem clock used by the peripheral modules. SMCLK can be sourced by same sources made available to ACLK.
- ACLK/n, the buffered output of ACLK, ACLK/2, ACLK/4, ACLK/8, ACLK/16, ACLK/32.

6.9.4 Power Management Module (PMM) ([Link to User's Guide](#))

The PMM includes an integrated voltage regulator that supplies the core voltage to the device and contains programmable output levels to provide for power optimization. The PMM also includes supply voltage supervisor (SVS) and supply voltage monitoring (SVM) circuitry, as well as brownout protection. The brownout circuit is implemented to provide the proper internal reset signal to the device during power on and power off. The SVS and SVM circuitry detects if the supply voltage drops below a user-selectable level and supports both supply voltage supervision (SVS) (the device is automatically reset) and supply voltage monitoring (SVM) (the device is not automatically reset). SVS and SVM circuitry is available on the primary supply and core supply.

6.9.5 Hardware Multiplier ([Link to User's Guide](#))

The multiplication operation is supported by a dedicated peripheral module. The module performs operations with 32-, 24-, 16-, and 8-bit operands. The module supports signed and unsigned multiplication as well as signed and unsigned multiply-and-accumulate operations.

6.9.6 Real-Time Clock (RTC_A) ([Link to User's Guide](#))

The RTC_A module can be used as a general-purpose 32-bit counter (counter mode) or as an integrated real-time clock (RTC) (calendar mode). In counter mode, the RTC_A also includes two independent 8-bit timers that can be cascaded to form a 16-bit timer/counter. Both timers can be read and written by software. Calendar mode integrates an internal calendar which compensates for months with less than 31 days and includes leap year correction. The RTC_A also supports flexible alarm functions and offset-calibration hardware.

6.9.7 Watchdog Timer (WDT_A) ([Link to User's Guide](#))

The primary function of the WDT_A module is to perform a controlled system restart after a software problem occurs. If the selected time interval expires, a system reset is generated. If the watchdog function is not needed in an application, the module can be configured as an interval timer and can generate interrupts at selected time intervals.

6.9.8 System Module (SYS) ([Link to User's Guide](#))

The SYS module handles many of the system functions within the device. These include power-on reset and power-up clear handling, NMI source selection and management, reset interrupt vector generators, bootstrap loader entry mechanisms, and configuration management (device descriptors). It also includes a data exchange mechanism through JTAG called a JTAG mailbox that can be used in the application.

Table 6-9. System Module Interrupt Vector Registers

| INTERRUPT VECTOR REGISTER | ADDRESS | INTERRUPT EVENT | VALUE | PRIORITY |
|---------------------------|------------|-------------------------------------|-------|----------|
| SYSRSTIV, System Reset | 019Eh | No interrupt pending | 00h | |
| | | Brownout (BOR) | 02h | Highest |
| | | $\overline{\text{RST}}$ /NMI (POR) | 04h | |
| | | PMMSWBOR (BOR) | 06h | |
| | | Wakeup from LPMx.5 | 08h | |
| | | Security violation (BOR) | 0Ah | |
| | | SVSL (POR) | 0Ch | |
| | | SVSH (POR) | 0Eh | |
| | | SVML_OVP (POR) | 10h | |
| | | SVMH_OVP (POR) | 12h | |
| | | PMMSWPOR (POR) | 14h | |
| | | WDT time-out (PUC) | 16h | |
| | | WDT password violation (PUC) | 18h | |
| | | KEYV flash password violation (PUC) | 1Ah | |
| | | Reserved | 1Ch | |
| | | Peripheral area fetch (PUC) | 1Eh | |
| | | PMM password violation (PUC) | 20h | |
| Reserved | 22h to 3Eh | Lowest | | |

Table 6-9. System Module Interrupt Vector Registers (continued)

| INTERRUPT VECTOR REGISTER | ADDRESS | INTERRUPT EVENT | VALUE | PRIORITY |
|---------------------------|---------|----------------------|------------|----------|
| SYSSNIV, System NMI | 019Ch | No interrupt pending | 00h | |
| | | SVMLIFG | 02h | Highest |
| | | SVMHIFG | 04h | |
| | | SVSMLDLYIFG | 06h | |
| | | SVSMHDLYIFG | 08h | |
| | | VMAIFG | 0Ah | |
| | | JMBINIFG | 0Ch | |
| | | JMBOUTIFG | 0Eh | |
| | | SVMLVLRIFG | 10h | |
| | | SVMHVLRFIFG | 12h | |
| | | Reserved | 14h to 1Eh | Lowest |
| SYSUNIV, User NMI | 019Ah | No interrupt pending | 00h | |
| | | NMIIFG | 02h | Highest |
| | | OFIFG | 04h | |
| | | ACCVIFG | 06h | |
| | | BUSIFG | 08h | |
| | | | | Reserved |

6.9.9 DMA Controller ([Link to User's Guide](#))

The DMA controller allows movement of data from one memory address to another without CPU intervention. For example, the DMA controller can be used to move data from the ADC12_A conversion memory to RAM. Using the DMA controller can increase the throughput of peripheral modules. The DMA controller reduces system power consumption by allowing the CPU to remain in sleep mode, without having to awaken to move data to or from a peripheral.

The USB timestamp generator also uses the DMA trigger assignments described in [Table 6-10](#).

Table 6-10. DMA Trigger Assignments⁽¹⁾

| TRIGGER | CHANNEL | | |
|---------|---------------|---------------|---------------|
| | 0 | 1 | 2 |
| 0 | DMAREQ | DMAREQ | DMAREQ |
| 1 | TA0CCR0 CCIFG | TA0CCR0 CCIFG | TA0CCR0 CCIFG |
| 2 | TA0CCR2 CCIFG | TA0CCR2 CCIFG | TA0CCR2 CCIFG |
| 3 | TA1CCR0 CCIFG | TA1CCR0 CCIFG | TA1CCR0 CCIFG |
| 4 | TA1CCR2 CCIFG | TA1CCR2 CCIFG | TA1CCR2 CCIFG |
| 5 | TA2CCR0 CCIFG | TA2CCR0 CCIFG | TA2CCR0 CCIFG |
| 6 | TA2CCR2 CCIFG | TA2CCR2 CCIFG | TA2CCR2 CCIFG |
| 7 | TB0CCR0 CCIFG | TB0CCR0 CCIFG | TB0CCR0 CCIFG |
| 8 | TB0CCR2 CCIFG | TB0CCR2 CCIFG | TB0CCR2 CCIFG |
| 9 | Reserved | Reserved | Reserved |
| 10 | Reserved | Reserved | Reserved |
| 11 | Reserved | Reserved | Reserved |
| 12 | Reserved | Reserved | Reserved |
| 13 | Reserved | Reserved | Reserved |
| 14 | Reserved | Reserved | Reserved |
| 15 | Reserved | Reserved | Reserved |

(1) If a reserved trigger source is selected, no Trigger1 is generated.

Table 6-10. DMA Trigger Assignments⁽¹⁾ (continued)

| TRIGGER | CHANNEL | | |
|---------|--------------------------|--------------------------|--------------------------|
| | 0 | 1 | 2 |
| 16 | UCA0RXIFG | UCA0RXIFG | UCA0RXIFG |
| 17 | UCA0TXIFG | UCA0TXIFG | UCA0TXIFG |
| 18 | UCB0RXIFG | UCB0RXIFG | UCB0RXIFG |
| 19 | UCB0TXIFG | UCB0TXIFG | UCB0TXIFG |
| 20 | UCA1RXIFG | UCA1RXIFG | UCA1RXIFG |
| 21 | UCA1TXIFG | UCA1TXIFG | UCA1TXIFG |
| 22 | UCB1RXIFG | UCB1RXIFG | UCB1RXIFG |
| 23 | UCB1TXIFG | UCB1TXIFG | UCB1TXIFG |
| 24 | ADC12IFGx ⁽²⁾ | ADC12IFGx ⁽²⁾ | ADC12IFGx ⁽²⁾ |
| 25 | Reserved | Reserved | Reserved |
| 26 | Reserved | Reserved | Reserved |
| 27 | USB FNRXD | USB FNRXD | USB FNRXD |
| 28 | USB ready | USB ready | USB ready |
| 29 | MPY ready | MPY ready | MPY ready |
| 30 | DMA2IFG | DMA0IFG | DMA1IFG |
| 31 | DMAE0 | DMAE0 | DMAE0 |

(2) Only on devices with ADC. Reserved on devices without ADC.

6.9.10 Universal Serial Communication Interface (USCI) (Links to User's Guide: [UART Mode](#), [SPI Mode](#), [I²C Mode](#))

The USCI modules are used for serial data communication. The USCI module supports synchronous communication protocols such as SPI (3-pin or 4-pin) and I²C, and asynchronous communication protocols such as UART, enhanced UART with automatic baudrate detection, and IrDA. Each USCI module contains two portions, A and B.

The USCI_An module provides support for SPI (3-pin or 4-pin), UART, enhanced UART, or IrDA.

The USCI_Bn module provides support for SPI (3-pin or 4-pin) or I²C.

The MSP430F55xx series includes two complete USCI modules (n = 0, 1).

6.9.11 TA0 (Link to User's Guide)

TA0 is a 16-bit timer and counter (Timer_A type) with five capture/compare registers. It can support multiple capture/compare registers, PWM outputs, and interval timing. It also has extensive interrupt capabilities. Interrupts may be generated from the counter on overflow conditions and from each of the capture/compare registers.

Table 6-11. TA0 Signal Connections

| INPUT PIN NUMBER | | DEVICE INPUT SIGNAL | MODULE INPUT SIGNAL | MODULE BLOCK | MODULE OUTPUT SIGNAL | DEVICE OUTPUT SIGNAL | OUTPUT PIN NUMBER | |
|------------------|---------|---------------------|---------------------|--------------|----------------------|----------------------|--|--|
| RGC, YFF, ZQE | PN | | | | | | RGC, YFF, ZQE | PN |
| 18, H2-P1.0 | 21-P1.0 | TA0CLK | TACLK | Timer | NA | NA | | |
| | | ACLK (internal) | ACLK | | | | | |
| | | SMCLK (internal) | SMCLK | | | | | |
| 18, H2-P1.0 | 21-P1.0 | TA0CLK | TACLK | CCR0 | TA0 | TA0.0 | 19, H3-P1.1 | 22-P1.1 |
| 19, H3-P1.1 | 22-P1.1 | TA0.0 | CCI0A | | | | | |
| | | DV _{SS} | CCI0B | | | | | |
| | | DV _{SS} | GND | | | | | |
| | | DV _{CC} | V _{CC} | | | | | |
| 20, J3-P1.2 | 23-P1.2 | TA0.1 | CCI1A | CCR1 | TA1 | TA0.1 | 20, J3-P1.2 | 23-P1.2 |
| | | CBOUT (internal) | CCI1B | | | | | |
| | | DV _{SS} | GND | | | | | |
| | | DV _{CC} | V _{CC} | | | | | |
| | | | | | | | ADC12 (internal) ⁽¹⁾ ADC12SHSx = {1} | ADC12 (internal) ⁽¹⁾ ADC12SHSx = {1} |
| 21, G4-P1.3 | 24-P1.3 | TA0.2 | CCI2A | CCR2 | TA2 | TA0.2 | 21, G4-P1.3 | 24-P1.3 |
| | | ACLK (internal) | CCI2B | | | | | |
| | | DV _{SS} | GND | | | | | |
| | | DV _{CC} | V _{CC} | | | | | |
| 22, H4-P1.4 | 25-P1.4 | TA0.3 | CCI3A | CCR3 | TA3 | TA0.3 | 22, H4-P1.4 | 25-P1.4 |
| | | DV _{SS} | CCI3B | | | | | |
| | | DV _{SS} | GND | | | | | |
| | | DV _{CC} | V _{CC} | | | | | |
| 23, J4-P1.5 | 26-P1.5 | TA0.4 | CCI4A | CCR4 | TA4 | TA0.4 | 23, J4-P1.5 | 26-P1.5 |
| | | DV _{SS} | CCI4B | | | | | |
| | | DV _{SS} | GND | | | | | |
| | | DV _{CC} | V _{CC} | | | | | |

(1) Only on devices with ADC.

6.9.12 TA1 (Link to User's Guide)

TA1 is a 16-bit timer and counter (Timer_A type) with three capture/compare registers. It can support multiple capture/compare registers, PWM outputs, and interval timing. It also has extensive interrupt capabilities. Interrupts may be generated from the counter on overflow conditions and from each of the capture/compare registers.

Table 6-12. TA1 Signal Connections

| INPUT PIN NUMBER | | DEVICE INPUT SIGNAL | MODULE INPUT SIGNAL | MODULE BLOCK | MODULE OUTPUT SIGNAL | DEVICE OUTPUT SIGNAL | OUTPUT PIN NUMBER | |
|------------------|---------|---------------------|---------------------------|--------------|----------------------|----------------------|-------------------|---------|
| RGC, YFF, ZQE | PN | | | | | | RGC, YFF, ZQE | PN |
| 24, G5-P1.6 | 27-P1.6 | TA1CLK | TACLK | Timer | NA | NA | | |
| | | ACLK (internal) | ACLK | | | | | |
| | | SMCLK (internal) | SMCLK | | | | | |
| 24, G5-P1.6 | 27-P1.6 | TA1CLK | $\overline{\text{TACLK}}$ | CCR0 | TA0 | TA1.0 | | |
| 25, H5-P1.7 | 28-P1.7 | TA1.0 | CCI0A | | | | 25, H5-P1.7 | 28-P1.7 |
| | | DV _{SS} | CCI0B | | | | | |
| | | DV _{SS} | GND | | | | | |
| | | DV _{CC} | V _{CC} | | | | | |
| 26, J5-P2.0 | 29-P2.0 | TA1.1 | CCI1A | CCR1 | TA1 | TA1.1 | 26, J5-P2.0 | 29-P2.0 |
| | | CBOUT (internal) | CCI1B | | | | | |
| | | DV _{SS} | GND | | | | | |
| | | DV _{CC} | V _{CC} | | | | | |
| 27, G6-P2.1 | 30-P2.1 | TA1.2 | CCI2A | CCR2 | TA2 | TA1.2 | 27, G6-P2.1 | 30-P2.1 |
| | | ACLK (internal) | CCI2B | | | | | |
| | | DV _{SS} | GND | | | | | |
| | | DV _{CC} | V _{CC} | | | | | |

6.9.13 TA2 (Link to User's Guide)

TA2 is a 16-bit timer and counter (Timer_A type) with three capture/compare registers. It can support multiple capture/compare registers, PWM outputs, and interval timing. It also has extensive interrupt capabilities. Interrupts may be generated from the counter on overflow conditions and from each of the capture/compare registers.

Table 6-13. TA2 Signal Connections

| INPUT PIN NUMBER | | DEVICE INPUT SIGNAL | MODULE INPUT SIGNAL | MODULE BLOCK | MODULE OUTPUT SIGNAL | DEVICE OUTPUT SIGNAL | OUTPUT PIN NUMBER | |
|------------------|---------|---------------------|---------------------------|--------------|----------------------|----------------------|-------------------|---------|
| RGC, YFF, ZQE | PN | | | | | | RGC, YFF, ZQE | PN |
| 28, J6-P2.2 | 31-P2.2 | TA2CLK | TACLK | Timer | NA | NA | | |
| | | ACLK (internal) | ACLK | | | | | |
| | | SMCLK (internal) | SMCLK | | | | | |
| 28, J6-P2.2 | 31-P2.2 | TA2CLK | $\overline{\text{TACLK}}$ | CCR0 | TA0 | TA2.0 | | |
| 29, H6-P2.3 | 32-P2.3 | TA2.0 | CCI0A | | | | 29, H6-P2.3 | 32-P2.3 |
| | | DV _{SS} | CCI0B | | | | | |
| | | DV _{SS} | GND | | | | | |
| | | DV _{CC} | V _{CC} | | | | | |
| 30, J7-P2.4 | 33-P2.4 | TA2.1 | CCI1A | CCR1 | TA1 | TA2.1 | 30, J7-P2.4 | 33-P2.4 |
| | | CBOUT (internal) | CCI1B | | | | | |
| | | DV _{SS} | GND | | | | | |
| | | DV _{CC} | V _{CC} | | | | | |
| 31, J8-P2.5 | 34-P2.5 | TA2.2 | CCI2A | CCR2 | TA2 | TA2.2 | 31, J8-P2.5 | 34-P2.5 |
| | | ACLK (internal) | CCI2B | | | | | |
| | | DV _{SS} | GND | | | | | |
| | | DV _{CC} | V _{CC} | | | | | |

6.9.14 TB0 (Link to User's Guide)

TB0 is a 16-bit timer and counter (Timer_B type) with seven capture/compare registers. It can support multiple capture/compare registers, PWM outputs, and interval timing. It also has extensive interrupt capabilities. Interrupts may be generated from the counter on overflow conditions and from each of the capture/compare registers.

Table 6-14. TB0 Signal Connections

| INPUT PIN NUMBER | | DEVICE INPUT SIGNAL | MODULE INPUT SIGNAL | MODULE BLOCK | MODULE OUTPUT SIGNAL | DEVICE OUTPUT SIGNAL | OUTPUT PIN NUMBER | |
|------------------------------|---------|---------------------|---------------------|--------------|----------------------|----------------------|------------------------------|--|
| RGC, YFF, ZQE ⁽¹⁾ | PN | | | | | | RGC, YFF, ZQE ⁽¹⁾ | PN |
| | 60-P7.7 | TB0CLK | TBCLK | Timer | NA | NA | | |
| | | ACLK (internal) | ACLK | | | | | |
| | | SMCLK (internal) | SMCLK | | | | | |
| | 60-P7.7 | TB0CLK | TBCLK | CCR0 | TB0 | TB0.0 | | |
| | 55-P5.6 | TB0.0 | CCI0A | | | | | 55-P5.6 |
| | 55-P5.6 | TB0.0 | CCI0B | | | | | ADC12 (internal) ⁽²⁾ ADC12SHSx = {2} |
| | | DV _{SS} | GND | | | | | |
| | | DV _{CC} | V _{CC} | | | | | |
| | 56-P5.7 | TB0.1 | CCI1A | CCR1 | TB1 | TB0.1 | | 56-P5.7 |
| | | CBOUT (internal) | CCI1B | | | | | ADC12 (internal) ADC12SHSx = {3} |
| | | DV _{SS} | GND | | | | | |
| | | DV _{CC} | V _{CC} | | | | | |
| | 57-P7.4 | TB0.2 | CCI2A | CCR2 | TB2 | TB0.2 | | 57-P7.4 |
| | 57-P7.4 | TB0.2 | CCI2B | | | | | |
| | | DV _{SS} | GND | | | | | |
| | | DV _{CC} | V _{CC} | | | | | |
| | 58-P7.5 | TB0.3 | CCI3A | CCR3 | TB3 | TB0.3 | | 58-P7.5 |
| | 58-P7.5 | TB0.3 | CCI3B | | | | | |
| | | DV _{SS} | GND | | | | | |
| | | DV _{CC} | V _{CC} | | | | | |
| | 59-P7.6 | TB0.4 | CCI4A | CCR4 | TB4 | TB0.4 | | 59-P7.6 |
| | 59-P7.6 | TB0.4 | CCI4B | | | | | |
| | | DV _{SS} | GND | | | | | |
| | | DV _{CC} | V _{CC} | | | | | |
| | 42-P3.5 | TB0.5 | CCI5A | CCR5 | TB5 | TB0.5 | | 42-P3.5 |
| | 42-P3.5 | TB0.5 | CCI5B | | | | | |
| | | DV _{SS} | GND | | | | | |
| | | DV _{CC} | V _{CC} | | | | | |
| | 43-P3.6 | TB0.6 | CCI6A | CCR6 | TB6 | TB0.6 | | 43-P3.6 |
| | | ACLK (internal) | CCI6B | | | | | |
| | | DV _{SS} | GND | | | | | |
| | | DV _{CC} | V _{CC} | | | | | |

(1) Timer functions are selectable through the port mapping controller.

(2) Only on devices with ADC

6.9.15 **Comparator_B** ([Link to User's Guide](#))

The primary function of the Comparator_B module is to support precision slope analog-to-digital conversions, battery voltage supervision, and monitoring of external analog signals.

6.9.16 **ADC12_A** ([Link to User's Guide](#))

The ADC12_A module supports fast 12-bit analog-to-digital conversions. The module implements a 12-bit SAR core, sample select control, reference generator and a 16 word conversion-and-control buffer. The conversion-and-control buffer allows up to 16 independent ADC samples to be converted and stored without any CPU intervention.

6.9.17 **CRC16** ([Link to User's Guide](#))

The CRC16 module produces a signature based on a sequence of entered data values and can be used for data checking purposes. The CRC16 module signature is based on the CRC-CCITT standard.

6.9.18 **REF Voltage Reference** ([Link to User's Guide](#))

The reference module (REF) is responsible for generation of all critical reference voltages that can be used by the various analog peripherals in the device.

6.9.19 **Universal Serial Bus (USB)** ([Link to User's Guide](#))

The USB module is a fully integrated USB interface that is compliant with the USB 2.0 specification. The module supports full-speed operation of control, interrupt, and bulk transfers. The module includes an integrated LDO, PHY, and PLL. The PLL is highly-flexible and can support a wide range of input clock frequencies. USB RAM, when not used for USB communication, can be used by the system.

6.9.20 **Embedded Emulation Module (EEM)** ([Link to User's Guide](#))

The EEM supports real-time in-system debugging. The L version of the EEM has the following features:

- Eight hardware triggers or breakpoints on memory access
- Two hardware triggers or breakpoints on CPU register write access
- Up to 10 hardware triggers can be combined to form complex triggers or breakpoints
- Two cycle counters
- Sequencer
- State storage
- Clock control on module level

6.9.21 Peripheral File Map

Table 6-15 lists the base address for the registers of each module. The following tables list the offsets for all available registers in each module.

Table 6-15. Peripherals

| MODULE NAME | BASE ADDRESS | OFFSET ADDRESS RANGE |
|--|--------------|----------------------|
| Special Functions (see Table 6-16) | 0100h | 000h-01Fh |
| PMM (see Table 6-17) | 0120h | 000h-010h |
| Flash Control (see Table 6-18) | 0140h | 000h-00Fh |
| CRC16 (see Table 6-19) | 0150h | 000h-007h |
| RAM Control (see Table 6-20) | 0158h | 000h-001h |
| Watchdog (see Table 6-21) | 015Ch | 000h-001h |
| UCS (see Table 6-22) | 0160h | 000h-01Fh |
| SYS (see Table 6-23) | 0180h | 000h-01Fh |
| Shared Reference (see Table 6-24) | 01B0h | 000h-001h |
| Port Mapping Control (see Table 6-25) | 01C0h | 000h-002h |
| Port Mapping Port P4 (see Table 6-25) | 01E0h | 000h-007h |
| Port P1 and P2 (see Table 6-26) | 0200h | 000h-01Fh |
| Port P3 and P4 (see Table 6-27) | 0220h | 000h-00Bh |
| Port P5 and P6 (see Table 6-28) | 0240h | 000h-00Bh |
| Port P7 and P8 (see Table 6-29) | 0260h | 000h-00Bh |
| Port PJ (see Table 6-30) | 0320h | 000h-01Fh |
| TA0 (see Table 6-31) | 0340h | 000h-02Eh |
| TA1 (see Table 6-32) | 0380h | 000h-02Eh |
| TB0 (see Table 6-33) | 03C0h | 000h-02Eh |
| TA2 (see Table 6-34) | 0400h | 000h-02Eh |
| Real-Time Clock (RTC_A) (see Table 6-35) | 04A0h | 000h-01Bh |
| 32-Bit Hardware Multiplier (see Table 6-36) | 04C0h | 000h-02Fh |
| DMA General Control (see Table 6-37) | 0500h | 000h-00Fh |
| DMA Channel 0 (see Table 6-37) | 0510h | 000h-00Ah |
| DMA Channel 1 (see Table 6-37) | 0520h | 000h-00Ah |
| DMA Channel 2 (see Table 6-37) | 0530h | 000h-00Ah |
| USCI_A0 (see Table 6-38) | 05C0h | 000h-01Fh |
| USCI_B0 (see Table 6-39) | 05E0h | 000h-01Fh |
| USCI_A1 (see Table 6-40) | 0600h | 000h-01Fh |
| USCI_B1 (see Table 6-41) | 0620h | 000h-01Fh |
| ADC12_A (see Table 6-42) | 0700h | 000h-03Eh |
| Comparator_B (see Table 6-43) | 08C0h | 000h-00Fh |
| USB Configuration (see Table 6-44) | 0900h | 000h-014h |
| USB Control (see Table 6-45) | 0920h | 000h-01Fh |

Table 6-16. Special Function Registers (Base Address: 0100h)

| REGISTER DESCRIPTION | REGISTER | OFFSET |
|-----------------------|----------|--------|
| SFR interrupt enable | SFRIE1 | 00h |
| SFR interrupt flag | SFRIFG1 | 02h |
| SFR reset pin control | SFRRPCR | 04h |

Table 6-17. PMM Registers (Base Address: 0120h)

| REGISTER DESCRIPTION | REGISTER | OFFSET |
|--------------------------|----------|--------|
| PMM Control 0 | PMMCTL0 | 00h |
| PMM control 1 | PMMCTL1 | 02h |
| SVS high side control | SVSMHCTL | 04h |
| SVS low side control | SVSMLCTL | 06h |
| PMM interrupt flags | PMMIFG | 0Ch |
| PMM interrupt enable | PMMIE | 0Eh |
| PMM power mode 5 control | PM5CTL0 | 10h |

Table 6-18. Flash Control Registers (Base Address: 0140h)

| REGISTER DESCRIPTION | REGISTER | OFFSET |
|----------------------|----------|--------|
| Flash control 1 | FCTL1 | 00h |
| Flash control 3 | FCTL3 | 04h |
| Flash control 4 | FCTL4 | 06h |

Table 6-19. CRC16 Registers (Base Address: 0150h)

| REGISTER DESCRIPTION | REGISTER | OFFSET |
|-------------------------------|-----------|--------|
| CRC data input | CRC16DI | 00h |
| CRC data input reverse byte | CRCDIRB | 02h |
| CRC initialization and result | CRCINIRES | 04h |
| CRC result reverse byte | CRCRESR | 06h |

Table 6-20. RAM Control Registers (Base Address: 0158h)

| REGISTER DESCRIPTION | REGISTER | OFFSET |
|----------------------|----------|--------|
| RAM control 0 | RCCTL0 | 00h |

Table 6-21. Watchdog Registers (Base Address: 015Ch)

| REGISTER DESCRIPTION | REGISTER | OFFSET |
|------------------------|----------|--------|
| Watchdog timer control | WDTCTL | 00h |

Table 6-22. UCS Registers (Base Address: 0160h)

| REGISTER DESCRIPTION | REGISTER | OFFSET |
|----------------------|----------|--------|
| UCS control 0 | UCSCTL0 | 00h |
| UCS control 1 | UCSCTL1 | 02h |
| UCS control 2 | UCSCTL2 | 04h |
| UCS control 3 | UCSCTL3 | 06h |
| UCS control 4 | UCSCTL4 | 08h |
| UCS control 5 | UCSCTL5 | 0Ah |
| UCS control 6 | UCSCTL6 | 0Ch |
| UCS control 7 | UCSCTL7 | 0Eh |

Table 6-22. UCS Registers (Base Address: 0160h) (continued)

| REGISTER DESCRIPTION | REGISTER | OFFSET |
|----------------------|----------|--------|
| UCS control 8 | UCSCTL8 | 10h |

Table 6-23. SYS Registers (Base Address: 0180h)

| REGISTER DESCRIPTION | REGISTER | OFFSET |
|-------------------------------------|-----------|--------|
| System control | SYSCTL | 00h |
| Bootstrap loader configuration area | SYSBSLC | 02h |
| JTAG mailbox control | SYSJMBC | 06h |
| JTAG mailbox input 0 | SYSJMBI0 | 08h |
| JTAG mailbox input 1 | SYSJMBI1 | 0Ah |
| JTAG mailbox output 0 | SYSJMBO0 | 0Ch |
| JTAG mailbox output 1 | SYSJMBO1 | 0Eh |
| Bus Error vector generator | SYSBERRIV | 18h |
| User NMI vector generator | SYSUNIV | 1Ah |
| System NMI vector generator | SYSSNIV | 1Ch |
| Reset vector generator | SYSRSTIV | 1Eh |

Table 6-24. Shared Reference Registers (Base Address: 01B0h)

| REGISTER DESCRIPTION | REGISTER | OFFSET |
|--------------------------|----------|--------|
| Shared reference control | REFCTL | 00h |

**Table 6-25. Port Mapping Registers
(Base Address of Port Mapping Control: 01C0h, Port P4: 01E0h)**

| REGISTER DESCRIPTION | REGISTER | OFFSET |
|----------------------------------|------------|--------|
| Port mapping key and ID register | P4MAPKEYID | 00h |
| Port mapping control register | P4MAPCTL | 02h |
| Port P4.0 mapping register | P4MAP0 | 00h |
| Port P4.1 mapping register | P4MAP1 | 01h |
| Port P4.2 mapping register | P4MAP2 | 02h |
| Port P4.3 mapping register | P4MAP3 | 03h |
| Port P4.4 mapping register | P4MAP4 | 04h |
| Port P4.5 mapping register | P4MAP5 | 05h |
| Port P4.6 mapping register | P4MAP6 | 06h |
| Port P4.7 mapping register | P4MAP7 | 07h |

Table 6-26. Port P1 and P2 Registers (Base Address: 0200h)

| REGISTER DESCRIPTION | REGISTER | OFFSET |
|-----------------------------------|----------|--------|
| Port P1 input | P1IN | 00h |
| Port P1 output | P1OUT | 02h |
| Port P1 direction | P1DIR | 04h |
| Port P1 pullup or pulldown enable | P1REN | 06h |
| Port P1 drive strength | P1DS | 08h |
| Port P1 selection | P1SEL | 0Ah |
| Port P1 interrupt vector word | P1IV | 0Eh |
| Port P1 interrupt edge select | P1IES | 18h |
| Port P1 interrupt enable | P1IE | 1Ah |
| Port P1 interrupt flag | P1IFG | 1Ch |
| Port P2 input | P2IN | 01h |
| Port P2 output | P2OUT | 03h |
| Port P2 direction | P2DIR | 05h |
| Port P2 pullup or pulldown enable | P2REN | 07h |
| Port P2 drive strength | P2DS | 09h |
| Port P2 selection | P2SEL | 0Bh |
| Port P2 interrupt vector word | P2IV | 1Eh |
| Port P2 interrupt edge select | P2IES | 19h |
| Port P2 interrupt enable | P2IE | 1Bh |
| Port P2 interrupt flag | P2IFG | 1Dh |

Table 6-27. Port P3 and P4 Registers (Base Address: 0220h)

| REGISTER DESCRIPTION | REGISTER | OFFSET |
|-----------------------------------|----------|--------|
| Port P3 input | P3IN | 00h |
| Port P3 output | P3OUT | 02h |
| Port P3 direction | P3DIR | 04h |
| Port P3 pullup or pulldown enable | P3REN | 06h |
| Port P3 drive strength | P3DS | 08h |
| Port P3 selection | P3SEL | 0Ah |
| Port P4 input | P4IN | 01h |
| Port P4 output | P4OUT | 03h |
| Port P4 direction | P4DIR | 05h |
| Port P4 pullup or pulldown enable | P4REN | 07h |
| Port P4 drive strength | P4DS | 09h |
| Port P4 selection | P4SEL | 0Bh |

Table 6-28. Port P5 and P6 Registers (Base Address: 0240h)

| REGISTER DESCRIPTION | REGISTER | OFFSET |
|-----------------------------------|----------|--------|
| Port P5 input | P5IN | 00h |
| Port P5 output | P5OUT | 02h |
| Port P5 direction | P5DIR | 04h |
| Port P5 pullup or pulldown enable | P5REN | 06h |
| Port P5 drive strength | P5DS | 08h |
| Port P5 selection | P5SEL | 0Ah |
| Port P6 input | P6IN | 01h |
| Port P6 output | P6OUT | 03h |
| Port P6 direction | P6DIR | 05h |
| Port P6 pullup or pulldown enable | P6REN | 07h |
| Port P6 drive strength | P6DS | 09h |
| Port P6 selection | P6SEL | 0Bh |

Table 6-29. Port P7 and P8 Registers (Base Address: 0260h)

| REGISTER DESCRIPTION | REGISTER | OFFSET |
|-----------------------------------|----------|--------|
| Port P7 input | P7IN | 00h |
| Port P7 output | P7OUT | 02h |
| Port P7 direction | P7DIR | 04h |
| Port P7 pullup or pulldown enable | P7REN | 06h |
| Port P7 drive strength | P7DS | 08h |
| Port P7 selection | P7SEL | 0Ah |
| Port P8 input | P8IN | 01h |
| Port P8 output | P8OUT | 03h |
| Port P8 direction | P8DIR | 05h |
| Port P8 pullup or pulldown enable | P8REN | 07h |
| Port P8 drive strength | P8DS | 09h |
| Port P8 selection | P8SEL | 0Bh |

Table 6-30. Port J Registers (Base Address: 0320h)

| REGISTER DESCRIPTION | REGISTER | OFFSET |
|-----------------------------------|----------|--------|
| Port PJ input | PJIN | 00h |
| Port PJ output | PJOUT | 02h |
| Port PJ direction | PJDIR | 04h |
| Port PJ pullup or pulldown enable | PJREN | 06h |
| Port PJ drive strength | PJDS | 08h |

Table 6-31. TA0 Registers (Base Address: 0340h)

| REGISTER DESCRIPTION | REGISTER | OFFSET |
|----------------------------|----------|--------|
| TA0 control | TA0CTL | 00h |
| Capture/compare control 0 | TA0CCTL0 | 02h |
| Capture/compare control 1 | TA0CCTL1 | 04h |
| Capture/compare control 2 | TA0CCTL2 | 06h |
| Capture/compare control 3 | TA0CCTL3 | 08h |
| Capture/compare control 4 | TA0CCTL4 | 0Ah |
| TA0 counter register | TA0R | 10h |
| Capture/compare register 0 | TA0CCR0 | 12h |
| Capture/compare register 1 | TA0CCR1 | 14h |
| Capture/compare register 2 | TA0CCR2 | 16h |
| Capture/compare register 3 | TA0CCR3 | 18h |
| Capture/compare register 4 | TA0CCR4 | 1Ah |
| TA0 expansion register 0 | TA0EX0 | 20h |
| TA0 interrupt vector | TA0IV | 2Eh |

Table 6-32. TA1 Registers (Base Address: 0380h)

| REGISTER DESCRIPTION | REGISTER | OFFSET |
|----------------------------|----------|--------|
| TA1 control | TA1CTL | 00h |
| Capture/compare control 0 | TA1CCTL0 | 02h |
| Capture/compare control 1 | TA1CCTL1 | 04h |
| Capture/compare control 2 | TA1CCTL2 | 06h |
| TA1 counter register | TA1R | 10h |
| Capture/compare register 0 | TA1CCR0 | 12h |
| Capture/compare register 1 | TA1CCR1 | 14h |
| Capture/compare register 2 | TA1CCR2 | 16h |
| TA1 expansion register 0 | TA1EX0 | 20h |
| TA1 interrupt vector | TA1IV | 2Eh |

Table 6-33. TB0 Registers (Base Address: 03C0h)

| REGISTER DESCRIPTION | REGISTER | OFFSET |
|----------------------------|----------|--------|
| TB0 control | TB0CTL | 00h |
| Capture/compare control 0 | TB0CCTL0 | 02h |
| Capture/compare control 1 | TB0CCTL1 | 04h |
| Capture/compare control 2 | TB0CCTL2 | 06h |
| Capture/compare control 3 | TB0CCTL3 | 08h |
| Capture/compare control 4 | TB0CCTL4 | 0Ah |
| Capture/compare control 5 | TB0CCTL5 | 0Ch |
| Capture/compare control 6 | TB0CCTL6 | 0Eh |
| TB0 register | TB0R | 10h |
| Capture/compare register 0 | TB0CCR0 | 12h |
| Capture/compare register 1 | TB0CCR1 | 14h |
| Capture/compare register 2 | TB0CCR2 | 16h |
| Capture/compare register 3 | TB0CCR3 | 18h |
| Capture/compare register 4 | TB0CCR4 | 1Ah |
| Capture/compare register 5 | TB0CCR5 | 1Ch |
| Capture/compare register 6 | TB0CCR6 | 1Eh |
| TB0 expansion register 0 | TB0EX0 | 20h |
| TB0 interrupt vector | TB0IV | 2Eh |

Table 6-34. TA2 Registers (Base Address: 0400h)

| REGISTER DESCRIPTION | REGISTER | OFFSET |
|----------------------------|----------|--------|
| TA2 control | TA2CTL | 00h |
| Capture/compare control 0 | TA2CCTL0 | 02h |
| Capture/compare control 1 | TA2CCTL1 | 04h |
| Capture/compare control 2 | TA2CCTL2 | 06h |
| TA2 counter register | TA2R | 10h |
| Capture/compare register 0 | TA2CCR0 | 12h |
| Capture/compare register 1 | TA2CCR1 | 14h |
| Capture/compare register 2 | TA2CCR2 | 16h |
| TA2 expansion register 0 | TA2EX0 | 20h |
| TA2 interrupt vector | TA2IV | 2Eh |

Table 6-35. Real-Time Clock Registers (Base Address: 04A0h)

| REGISTER DESCRIPTION | REGISTER | OFFSET |
|---|-----------------|--------|
| RTC control 0 | RTCCTL0 | 00h |
| RTC control 1 | RTCCTL1 | 01h |
| RTC control 2 | RTCCTL2 | 02h |
| RTC control 3 | RTCCTL3 | 03h |
| RTC prescaler 0 control | RTCPS0CTL | 08h |
| RTC prescaler 1 control | RTCPS1CTL | 0Ah |
| RTC prescaler 0 | RTCPS0 | 0Ch |
| RTC prescaler 1 | RTCPS1 | 0Dh |
| RTC interrupt vector word | RTCIV | 0Eh |
| RTC seconds, RTC counter register 1 | RTCSEC, RTCNT1 | 10h |
| RTC minutes, RTC counter register 2 | RTCMIN, RTCNT2 | 11h |
| RTC hours, RTC counter register 3 | RTCHOUR, RTCNT3 | 12h |
| RTC day of week, RTC counter register 4 | RTCDOW, RTCNT4 | 13h |
| RTC days | RTCDAY | 14h |
| RTC month | RTCMON | 15h |
| RTC year low | RTCYEARL | 16h |
| RTC year high | RTCYEARH | 17h |
| RTC alarm minutes | RTCAMIN | 18h |
| RTC alarm hours | RTCAHOUR | 19h |
| RTC alarm day of week | RTCADOW | 1Ah |
| RTC alarm days | RTCADAY | 1Bh |

Table 6-36. 32-Bit Hardware Multiplier Registers (Base Address: 04C0h)

| REGISTER DESCRIPTION | REGISTER | OFFSET |
|---|-----------|--------|
| 16-bit operand 1 – multiply | MPY | 00h |
| 16-bit operand 1 – signed multiply | MPYS | 02h |
| 16-bit operand 1 – multiply accumulate | MAC | 04h |
| 16-bit operand 1 – signed multiply accumulate | MACS | 06h |
| 16-bit operand 2 | OP2 | 08h |
| 16 × 16 result low word | RESLO | 0Ah |
| 16 × 16 result high word | RESHI | 0Ch |
| 16 × 16 sum extension register | SUMEXT | 0Eh |
| 32-bit operand 1 – multiply low word | MPY32L | 10h |
| 32-bit operand 1 – multiply high word | MPY32H | 12h |
| 32-bit operand 1 – signed multiply low word | MPYS32L | 14h |
| 32-bit operand 1 – signed multiply high word | MPYS32H | 16h |
| 32-bit operand 1 – multiply accumulate low word | MAC32L | 18h |
| 32-bit operand 1 – multiply accumulate high word | MAC32H | 1Ah |
| 32-bit operand 1 – signed multiply accumulate low word | MACS32L | 1Ch |
| 32-bit operand 1 – signed multiply accumulate high word | MACS32H | 1Eh |
| 32-bit operand 2 – low word | OP2L | 20h |
| 32-bit operand 2 – high word | OP2H | 22h |
| 32 × 32 result 0 – least significant word | RES0 | 24h |
| 32 × 32 result 1 | RES1 | 26h |
| 32 × 32 result 2 | RES2 | 28h |
| 32 × 32 result 3 – most significant word | RES3 | 2Ah |
| MPY32 control register 0 | MPY32CTL0 | 2Ch |

Table 6-37. DMA Registers (Base Address DMA General Control: 0500h, DMA Channel 0: 0510h, DMA Channel 1: 0520h, DMA Channel 2: 0530h)

| REGISTER DESCRIPTION | REGISTER | OFFSET |
|--|----------|--------|
| DMA channel 0 control | DMA0CTL | 00h |
| DMA channel 0 source address low | DMA0SAL | 02h |
| DMA channel 0 source address high | DMA0SAH | 04h |
| DMA channel 0 destination address low | DMA0DAL | 06h |
| DMA channel 0 destination address high | DMA0DAH | 08h |
| DMA channel 0 transfer size | DMA0SZ | 0Ah |
| DMA channel 1 control | DMA1CTL | 00h |
| DMA channel 1 source address low | DMA1SAL | 02h |
| DMA channel 1 source address high | DMA1SAH | 04h |
| DMA channel 1 destination address low | DMA1DAL | 06h |
| DMA channel 1 destination address high | DMA1DAH | 08h |
| DMA channel 1 transfer size | DMA1SZ | 0Ah |
| DMA channel 2 control | DMA2CTL | 00h |
| DMA channel 2 source address low | DMA2SAL | 02h |
| DMA channel 2 source address high | DMA2SAH | 04h |
| DMA channel 2 destination address low | DMA2DAL | 06h |
| DMA channel 2 destination address high | DMA2DAH | 08h |
| DMA channel 2 transfer size | DMA2SZ | 0Ah |
| DMA module control 0 | DMACTL0 | 00h |
| DMA module control 1 | DMACTL1 | 02h |
| DMA module control 2 | DMACTL2 | 04h |
| DMA module control 3 | DMACTL3 | 06h |
| DMA module control 4 | DMACTL4 | 08h |
| DMA interrupt vector | DMAIV | 0Eh |

Table 6-38. USCI_A0 Registers (Base Address: 05C0h)

| REGISTER DESCRIPTION | REGISTER | OFFSET |
|----------------------------|------------|--------|
| USCI control 1 | UCA0CTL1 | 00h |
| USCI control 0 | UCA0CTL0 | 01h |
| USCI baud rate 0 | UCA0BR0 | 06h |
| USCI baud rate 1 | UCA0BR1 | 07h |
| USCI modulation control | UCA0MCTL | 08h |
| USCI status | UCA0STAT | 0Ah |
| USCI receive buffer | UCA0RXBUF | 0Ch |
| USCI transmit buffer | UCA0TXBUF | 0Eh |
| USCI LIN control | UCA0ABCTL | 10h |
| USCI IrDA transmit control | UCA0IRTCTL | 12h |
| USCI IrDA receive control | UCA0IRRCTL | 13h |
| USCI interrupt enable | UCA0IE | 1Ch |
| USCI interrupt flags | UCA0IFG | 1Dh |
| USCI interrupt vector word | UCA0IV | 1Eh |

Table 6-39. USCI_B0 Registers (Base Address: 05E0h)

| REGISTER DESCRIPTION | REGISTER | OFFSET |
|----------------------------------|-----------|--------|
| USCI synchronous control 1 | UCB0CTL1 | 00h |
| USCI synchronous control 0 | UCB0CTL0 | 01h |
| USCI synchronous bit rate 0 | UCB0BR0 | 06h |
| USCI synchronous bit rate 1 | UCB0BR1 | 07h |
| USCI synchronous status | UCB0STAT | 0Ah |
| USCI synchronous receive buffer | UCB0RXBUF | 0Ch |
| USCI synchronous transmit buffer | UCB0TXBUF | 0Eh |
| USCI I2C own address | UCB0I2COA | 10h |
| USCI I2C slave address | UCB0I2CSA | 12h |
| USCI interrupt enable | UCB0IE | 1Ch |
| USCI interrupt flags | UCB0IFG | 1Dh |
| USCI interrupt vector word | UCB0IV | 1Eh |

Table 6-40. USCI_A1 Registers (Base Address: 0600h)

| REGISTER DESCRIPTION | REGISTER | OFFSET |
|----------------------------|------------|--------|
| USCI control 1 | UCA1CTL1 | 00h |
| USCI control 0 | UCA1CTL0 | 01h |
| USCI baud rate 0 | UCA1BR0 | 06h |
| USCI baud rate 1 | UCA1BR1 | 07h |
| USCI modulation control | UCA1MCTL | 08h |
| USCI status | UCA1STAT | 0Ah |
| USCI receive buffer | UCA1RXBUF | 0Ch |
| USCI transmit buffer | UCA1TXBUF | 0Eh |
| USCI LIN control | UCA1ABCTL | 10h |
| USCI IrDA transmit control | UCA1IRTCTL | 12h |
| USCI IrDA receive control | UCA1IRRCTL | 13h |
| USCI interrupt enable | UCA1IE | 1Ch |
| USCI interrupt flags | UCA1IFG | 1Dh |
| USCI interrupt vector word | UCA1IV | 1Eh |

Table 6-41. USCI_B1 Registers (Base Address: 0620h)

| REGISTER DESCRIPTION | REGISTER | OFFSET |
|----------------------------------|-----------|--------|
| USCI synchronous control 1 | UCB1CTL1 | 00h |
| USCI synchronous control 0 | UCB1CTL0 | 01h |
| USCI synchronous bit rate 0 | UCB1BR0 | 06h |
| USCI synchronous bit rate 1 | UCB1BR1 | 07h |
| USCI synchronous status | UCB1STAT | 0Ah |
| USCI synchronous receive buffer | UCB1RXBUF | 0Ch |
| USCI synchronous transmit buffer | UCB1TXBUF | 0Eh |
| USCI I2C own address | UCB1I2COA | 10h |
| USCI I2C slave address | UCB1I2CSA | 12h |
| USCI interrupt enable | UCB1IE | 1Ch |
| USCI interrupt flags | UCB1IFG | 1Dh |
| USCI interrupt vector word | UCB1IV | 1Eh |

Table 6-42. ADC12_A Registers (Base Address: 0700h)

| REGISTER DESCRIPTION | REGISTER | OFFSET |
|--------------------------------|-------------|--------|
| Control register 0 | ADC12CTL0 | 00h |
| Control register 1 | ADC12CTL1 | 02h |
| Control register 2 | ADC12CTL2 | 04h |
| Interrupt-flag register | ADC12IFG | 0Ah |
| Interrupt-enable register | ADC12IE | 0Ch |
| Interrupt-vector-word register | ADC12IV | 0Eh |
| ADC memory-control register 0 | ADC12MCTL0 | 10h |
| ADC memory-control register 1 | ADC12MCTL1 | 11h |
| ADC memory-control register 2 | ADC12MCTL2 | 12h |
| ADC memory-control register 3 | ADC12MCTL3 | 13h |
| ADC memory-control register 4 | ADC12MCTL4 | 14h |
| ADC memory-control register 5 | ADC12MCTL5 | 15h |
| ADC memory-control register 6 | ADC12MCTL6 | 16h |
| ADC memory-control register 7 | ADC12MCTL7 | 17h |
| ADC memory-control register 8 | ADC12MCTL8 | 18h |
| ADC memory-control register 9 | ADC12MCTL9 | 19h |
| ADC memory-control register 10 | ADC12MCTL10 | 1Ah |
| ADC memory-control register 11 | ADC12MCTL11 | 1Bh |
| ADC memory-control register 12 | ADC12MCTL12 | 1Ch |
| ADC memory-control register 13 | ADC12MCTL13 | 1Dh |
| ADC memory-control register 14 | ADC12MCTL14 | 1Eh |
| ADC memory-control register 15 | ADC12MCTL15 | 1Fh |
| Conversion memory 0 | ADC12MEM0 | 20h |
| Conversion memory 1 | ADC12MEM1 | 22h |
| Conversion memory 2 | ADC12MEM2 | 24h |
| Conversion memory 3 | ADC12MEM3 | 26h |
| Conversion memory 4 | ADC12MEM4 | 28h |
| Conversion memory 5 | ADC12MEM5 | 2Ah |
| Conversion memory 6 | ADC12MEM6 | 2Ch |
| Conversion memory 7 | ADC12MEM7 | 2Eh |
| Conversion memory 8 | ADC12MEM8 | 30h |
| Conversion memory 9 | ADC12MEM9 | 32h |
| Conversion memory 10 | ADC12MEM10 | 34h |
| Conversion memory 11 | ADC12MEM11 | 36h |
| Conversion memory 12 | ADC12MEM12 | 38h |
| Conversion memory 13 | ADC12MEM13 | 3Ah |
| Conversion memory 14 | ADC12MEM14 | 3Ch |
| Conversion memory 15 | ADC12MEM15 | 3Eh |

Table 6-43. Comparator_B Registers (Base Address: 08C0h)

| REGISTER DESCRIPTION | REGISTER | OFFSET |
|------------------------------|----------|--------|
| Comp_B control register 0 | CBCTL0 | 00h |
| Comp_B control register 1 | CBCTL1 | 02h |
| Comp_B control register 2 | CBCTL2 | 04h |
| Comp_B control register 3 | CBCTL3 | 06h |
| Comp_B interrupt register | CBINT | 0Ch |
| Comp_B interrupt vector word | CBIV | 0Eh |

Table 6-44. USB Configuration Registers (Base Address: 0900h)

| REGISTER DESCRIPTION | REGISTER | OFFSET |
|--------------------------|-----------|--------|
| USB key and ID | USBKEYID | 00h |
| USB module configuration | USBCNF | 02h |
| USB PHY control | USBPHYCTL | 04h |
| USB power control | USBPWRCTL | 08h |
| USB PLL control | USBPLLCTL | 10h |
| USB PLL divider | USBPLLDIV | 12h |
| USB PLL interrupts | USBPLLIR | 14h |

Table 6-45. USB Control Registers (Base Address: 0920h)

| REGISTER DESCRIPTION | REGISTER | OFFSET |
|-----------------------------------|-------------|--------|
| Input endpoint_0 configuration | USBIPCNF_0 | 00h |
| Input endpoint_0 byte count | USBIPCNT_0 | 01h |
| Output endpoint_0 configuration | USBOEPCNF_0 | 02h |
| Output endpoint_0 byte count | USBOEPCNT_0 | 03h |
| Input endpoint interrupt enables | USBIEPIE | 0Eh |
| Output endpoint interrupt enables | USBOEPIE | 0Fh |
| Input endpoint interrupt flags | USBIEPIFG | 10h |
| Output endpoint interrupt flags | USBOEPIFG | 11h |
| USB interrupt vector | USBIV | 12h |
| USB maintenance | USBMAINT | 16h |
| Timestamp | USBTSREG | 18h |
| USB frame number | USBFN | 1Ah |
| USB control | USBCTL | 1Ch |
| USB interrupt enables | USBIE | 1Dh |
| USB interrupt flags | USBIFG | 1Eh |
| Function address | USBFUNADR | 1Fh |

6.10 Input/Output Schematics

6.10.1 Port P1, P1.0 to P1.7, Input/Output With Schmitt Trigger

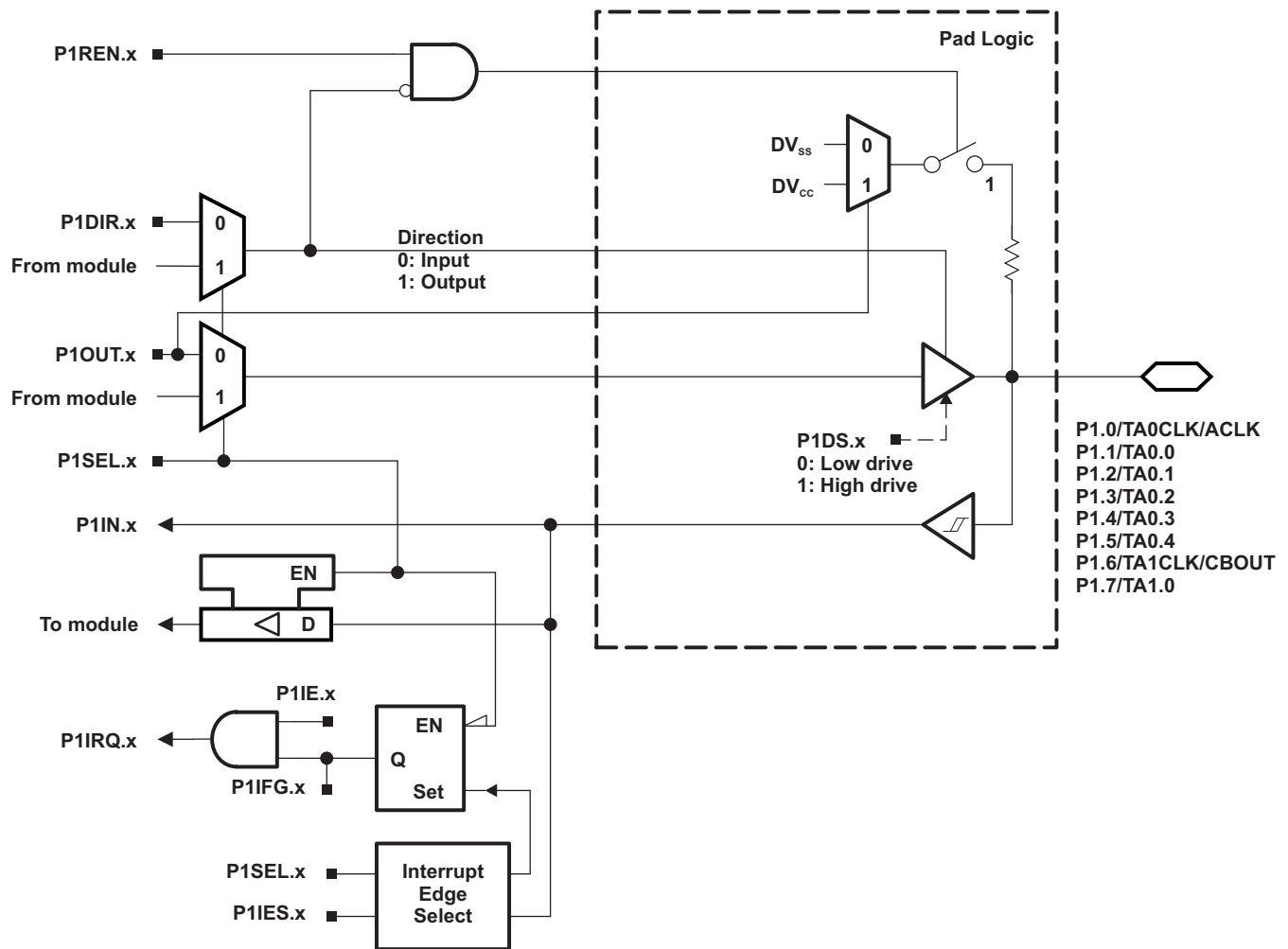


Table 6-46. Port P1 (P1.0 to P1.7) Pin Functions

| PIN NAME (P1.x) | x | FUNCTION | CONTROL BITS OR SIGNALS | |
|-------------------|---|--------------------|-------------------------|---------|
| | | | P1DIR.x | P1SEL.x |
| P1.0/TA0CLK/ACLK | 0 | P1.0 (I/O) | I: 0; O: 1 | 0 |
| | | TA0CLK | 0 | 1 |
| | | ACLK | 1 | 1 |
| P1.1/TA0.0 | 1 | P1.1 (I/O) | I: 0; O: 1 | 0 |
| | | TA0.CCI0A | 0 | 1 |
| | | TA0.0 | 1 | 1 |
| P1.2/TA0.1 | 2 | P1.2 (I/O) | I: 0; O: 1 | 0 |
| | | TA0.CCI1A | 0 | 1 |
| | | TA0.1 | 1 | 1 |
| P1.3/TA0.2 | 3 | P1.3 (I/O) | I: 0; O: 1 | 0 |
| | | TA0.CCI2A | 0 | 1 |
| | | TA0.2 | 1 | 1 |
| P1.4/TA0.3 | 4 | P1.4 (I/O) | I: 0; O: 1 | 0 |
| | | TA0.CCI3A | 0 | 1 |
| | | TA0.3 | 1 | 1 |
| P1.5/TA0.4 | 5 | P1.5 (I/O) | I: 0; O: 1 | 0 |
| | | TA0.CCI4A | 0 | 1 |
| | | TA0.4 | 1 | 1 |
| P1.6/TA1CLK/CBOUT | 6 | P1.6 (I/O) | I: 0; O: 1 | 0 |
| | | TA1CLK | 0 | 1 |
| | | CBOUT comparator B | 1 | 1 |
| P1.7/TA1.0 | 7 | P1.7 (I/O) | I: 0; O: 1 | 0 |
| | | TA1.CCI0A | 0 | 1 |
| | | TA1.0 | 1 | 1 |

6.10.2 Port P2, P2.0 to P2.7, Input/Output With Schmitt Trigger

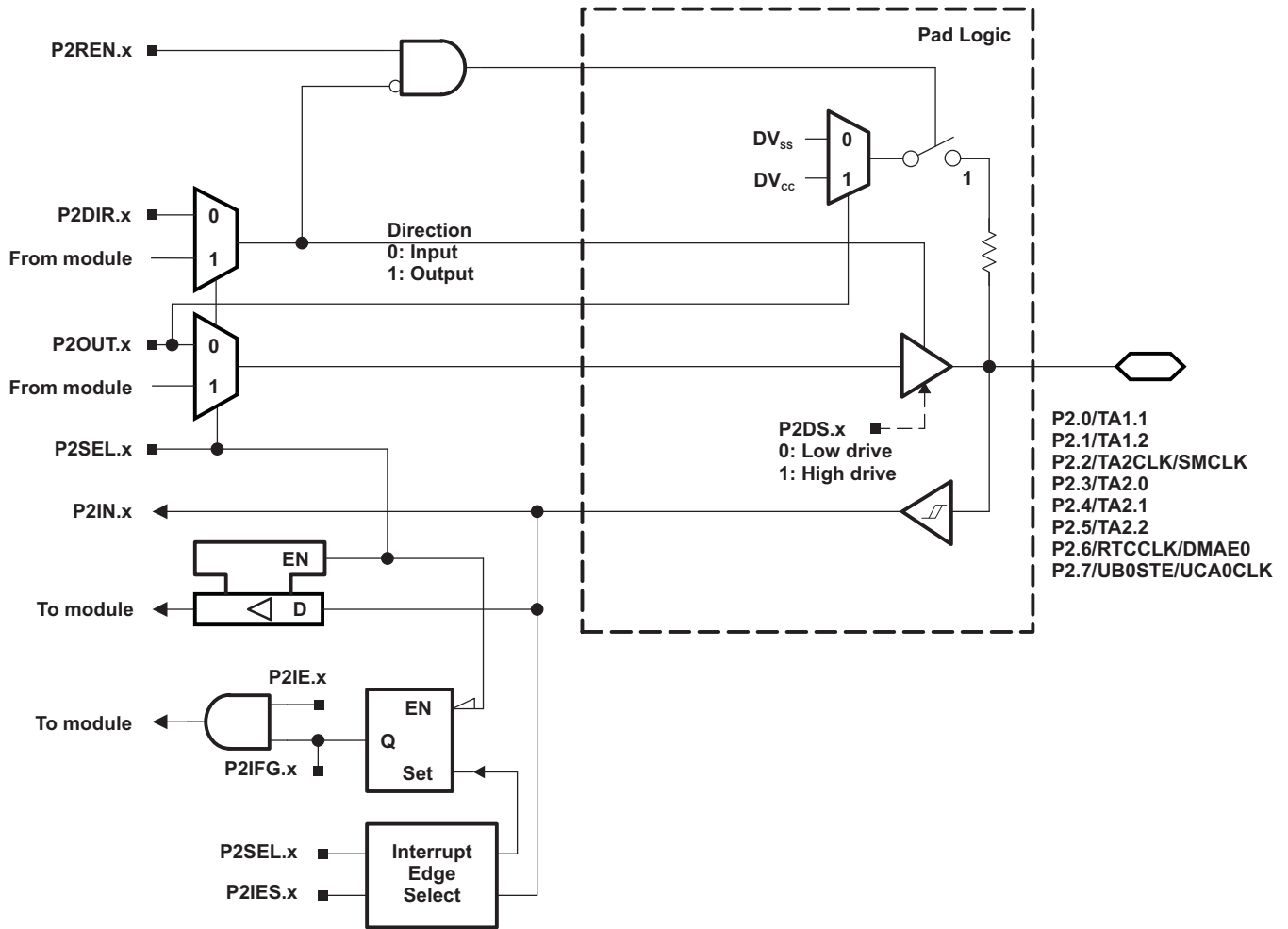


Table 6-47. Port P2 (P2.0 to P2.7) Pin Functions

| PIN NAME (P2.x) | x | FUNCTION | CONTROL BITS OR SIGNALS ⁽¹⁾ | |
|----------------------|---|------------------------------------|--|---------|
| | | | P2DIR.x | P2SEL.x |
| P2.0/TA1.1 | 0 | P2.0 (I/O) | I: 0; O: 1 | 0 |
| | | TA1.CCI1A | 0 | 1 |
| | | TA1.1 | 1 | 1 |
| P2.1/TA1.2 | 1 | P2.1 (I/O) | I: 0; O: 1 | 0 |
| | | TA1.CCI2A | 0 | 1 |
| | | TA1.2 | 1 | 1 |
| P2.2/TA2CLK/SMCLK | 2 | P2.2 (I/O) | I: 0; O: 1 | 0 |
| | | TA2CLK | 0 | 1 |
| | | SMCLK | 1 | 1 |
| P2.3/TA2.0 | 3 | P2.3 (I/O) | I: 0; O: 1 | 0 |
| | | TA2.CCI0A | 0 | 1 |
| | | TA2.0 | 1 | 1 |
| P2.4/TA2.1 | 4 | P2.4 (I/O) | I: 0; O: 1 | 0 |
| | | TA2.CCI1A | 0 | 1 |
| | | TA2.1 | 1 | 1 |
| P2.5/TA2.2 | 5 | P2.5 (I/O) | I: 0; O: 1 | 0 |
| | | TA2.CCI2A | 0 | 1 |
| | | TA2.2 | 1 | 1 |
| P2.6/RTCCLK/DMAE0 | 6 | P2.6 (I/O) | I: 0; O: 1 | 0 |
| | | DMAE0 | 0 | 1 |
| | | RTCCLK | 1 | 1 |
| P2.7/UCB0STE/UCA0CLK | 7 | P2.7 (I/O) | I: 0; O: 1 | 0 |
| | | UCB0STE/UCA0CLK ^{(2) (3)} | X | 1 |

(1) X = Don't care

(2) The pin direction is controlled by the USCI module.

(3) UCA0CLK function takes precedence over UCB0STE function. If the pin is required as UCA0CLK input or output, USCI B0 is forced to 3-wire SPI mode if 4-wire SPI mode is selected.

6.10.3 Port P3, P3.0 to P3.7, Input/Output With Schmitt Trigger

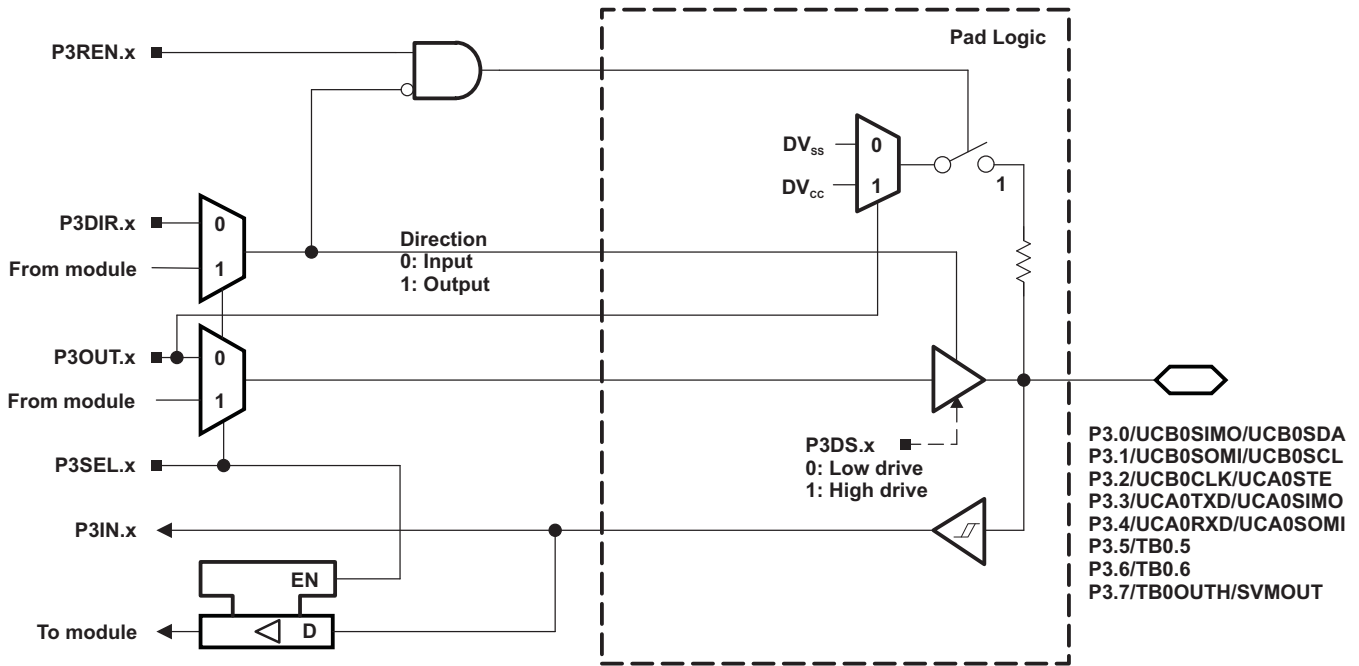


Table 6-48. Port P3 (P3.0 to P3.7) Pin Functions

| PIN NAME (P3.x) | x | FUNCTION | CONTROL BITS OR SIGNALS ⁽¹⁾ | |
|------------------------------------|---|-------------------------------------|--|---------|
| | | | P3DIR.x | P3SEL.x |
| P3.0/UCB0SIMO/UCB0SDA | 0 | P3.0 (I/O) | I: 0; O: 1 | 0 |
| | | UCB0SIMO/UCB0SDA ^{(2) (3)} | X | 1 |
| P3.1/UCB0SOMI/UCB0SCL | 1 | P3.1 (I/O) | I: 0; O: 1 | 0 |
| | | UCB0SOMI/UCB0SCL ^{(2) (3)} | X | 1 |
| P3.2/UCB0CLK/UCA0STE | 2 | P3.2 (I/O) | I: 0; O: 1 | 0 |
| | | UCB0CLK/UCA0STE ^{(2) (4)} | X | 1 |
| P3.3/UCA0TXD/UCA0SIMO | 3 | P3.3 (I/O) | I: 0; O: 1 | 0 |
| | | UCA0TXD/UCA0SIMO ⁽²⁾ | X | 1 |
| P3.4/UCA0RXD/UCA0SOMI | 4 | P3.4 (I/O) | I: 0; O: 1 | 0 |
| | | UCA0RXD/UCA0SOMI ⁽²⁾ | X | 1 |
| P3.5/TB0.5 ⁽⁵⁾ | 5 | P3.5 (I/O) | I: 0; O: 1 | 0 |
| | | TB0.CCI5A | 0 | 1 |
| | | TB0.5 | 1 | 1 |
| P3.6/TB0.6 ⁽⁵⁾ | 6 | P3.6 (I/O) | I: 0; O: 1 | 0 |
| | | TB0.CCI6A | 0 | 1 |
| | | TB0.6 | 1 | 1 |
| P3.7/TB0OUTH/SVMOUT ⁽⁵⁾ | 7 | P3.7 (I/O) | I: 0; O: 1 | 0 |
| | | TB0OUTH | 0 | 1 |
| | | SVMOUT | 1 | 1 |

(1) X = Don't care

(2) The pin direction is controlled by the USCI module.

(3) If the I²C functionality is selected, the output drives only the logical 0 to V_{SS} level.

(4) UCB0CLK function takes precedence over UCA0STE function. If the pin is required as UCB0CLK input or output, USCI A0 is forced to 3-wire SPI mode if 4-wire SPI mode is selected.

(5) F5529, F5527, F5525, F5521, F5519, F5517, F5515 devices only.

6.10.4 Port P4, P4.0 to P4.7, Input/Output With Schmitt Trigger

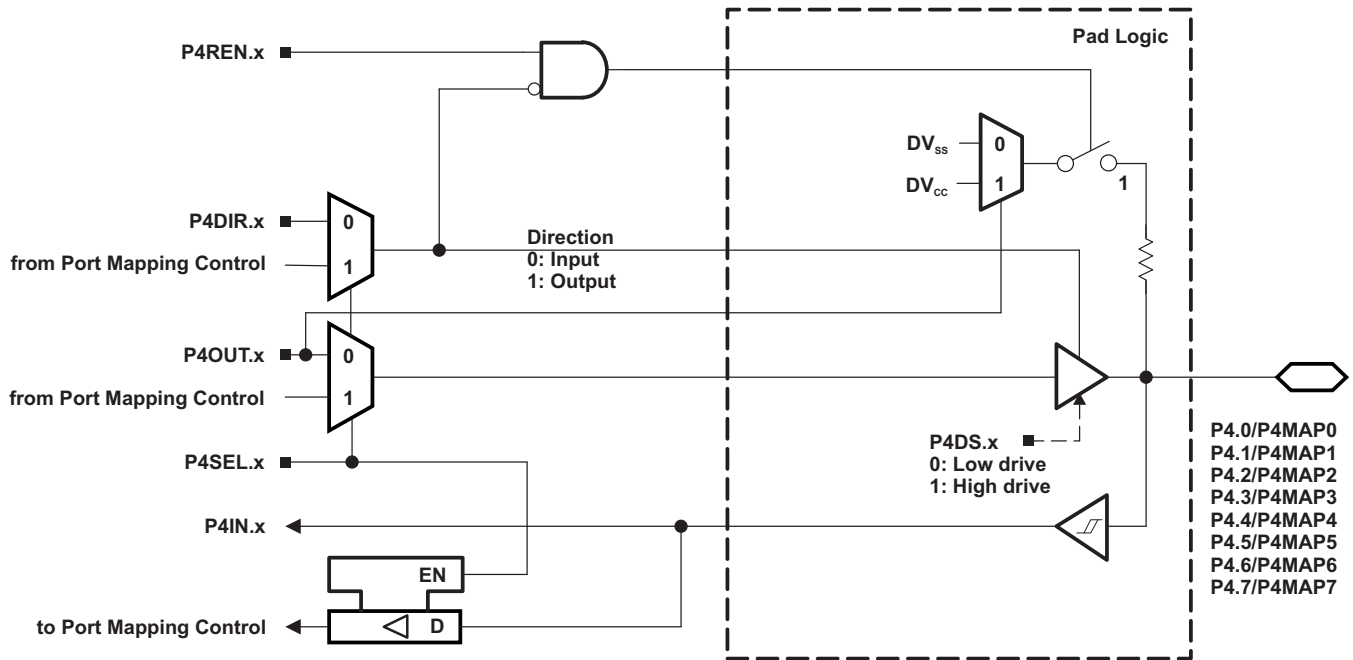


Table 6-49. Port P4 (P4.0 to P4.7) Pin Functions

| PIN NAME (P4.x) | x | FUNCTION | CONTROL BITS OR SIGNALS | | |
|-----------------|---|-----------------------------------|-------------------------|---------|--------|
| | | | P4DIR.x ⁽¹⁾ | P4SEL.x | P4MAPx |
| P4.0/P4MAP0 | 0 | P4.0 (I/O) | I: 0; O: 1 | 0 | X |
| | | Mapped secondary digital function | X | 1 | ≤ 30 |
| P4.1/P4MAP1 | 1 | P4.1 (I/O) | I: 0; O: 1 | 0 | X |
| | | Mapped secondary digital function | X | 1 | ≤ 30 |
| P4.2/P4MAP2 | 2 | P4.2 (I/O) | I: 0; O: 1 | 0 | X |
| | | Mapped secondary digital function | X | 1 | ≤ 30 |
| P4.3/P4MAP3 | 3 | P4.3 (I/O) | I: 0; O: 1 | 0 | X |
| | | Mapped secondary digital function | X | 1 | ≤ 30 |
| P4.4/P4MAP4 | 4 | P4.4 (I/O) | I: 0; O: 1 | 0 | X |
| | | Mapped secondary digital function | X | 1 | ≤ 30 |
| P4.5/P4MAP5 | 5 | P4.5 (I/O) | I: 0; O: 1 | 0 | X |
| | | Mapped secondary digital function | X | 1 | ≤ 30 |
| P4.6/P4MAP6 | 6 | P4.6 (I/O) | I: 0; O: 1 | 0 | X |
| | | Mapped secondary digital function | X | 1 | ≤ 30 |
| P4.7/P4MAP7 | 7 | P4.7 (I/O) | I: 0; O: 1 | 0 | X |
| | | Mapped secondary digital function | X | 1 | ≤ 30 |

(1) The direction of some mapped secondary functions are controlled directly by the module. See Table 6-7 for specific direction control information of mapped secondary functions.

6.10.5 Port P5, P5.0 and P5.1, Input/Output With Schmitt Trigger

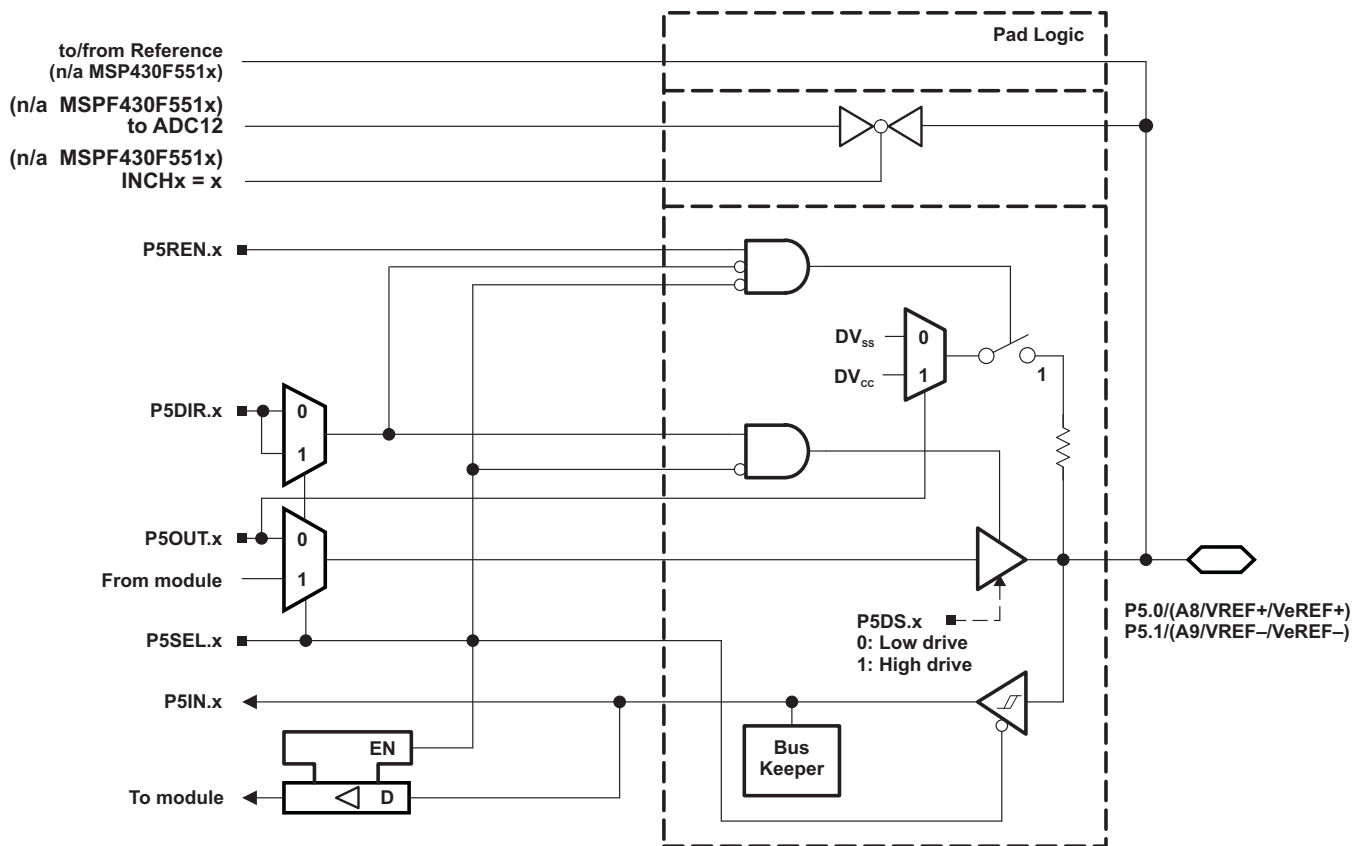


Table 6-50. Port P5 (P5.0 and P5.1) Pin Functions

| PIN NAME (P5.x) | x | FUNCTION | CONTROL BITS OR SIGNALS ⁽¹⁾ | | |
|-------------------------------------|---|---------------------------|--|---------|--------|
| | | | P5DIR.x | P5SEL.x | REFOUT |
| P5.0/A8/VREF+/VeREF+ ⁽²⁾ | 0 | P5.0 (I/O) ⁽³⁾ | I: 0; O: 1 | 0 | X |
| | | A8/VeREF+ ⁽⁴⁾ | X | 1 | 0 |
| | | A8/VREF+ ⁽⁵⁾ | X | 1 | 1 |
| P5.1/A9/VREF-/VeREF- ⁽⁶⁾ | 1 | P5.1 (I/O) ⁽³⁾ | I: 0; O: 1 | 0 | X |
| | | A9/VeREF- ⁽⁷⁾ | X | 1 | 0 |
| | | A9/VREF- ⁽⁸⁾ | X | 1 | 1 |

- (1) X = Don't care
- (2) VREF+/VeREF+ available on MSP430F552x devices only.
- (3) Default condition
- (4) Setting the P5SEL.0 bit disables the output driver and the input Schmitt trigger to prevent parasitic cross currents when applying analog signals. An external voltage can be applied to VeREF+ and used as the reference for the ADC12_A when available. Channel A8, when selected with the INCHx bits, is connected to the VREF+/VeREF+ pin.
- (5) Setting the P5SEL.0 bit disables the output driver and the input Schmitt trigger to prevent parasitic cross currents when applying analog signals. The VREF+ reference is available at the pin. Channel A8, when selected with the INCHx bits, is connected to the VREF+/VeREF+ pin.
- (6) VREF-/VeREF- available on MSP430F552x devices only.
- (7) Setting the P5SEL.1 bit disables the output driver and the input Schmitt trigger to prevent parasitic cross currents when applying analog signals. An external voltage can be applied to VeREF- and used as the reference for the ADC12_A when available. Channel A9, when selected with the INCHx bits, is connected to the VREF-/VeREF- pin.
- (8) Setting the P5SEL.1 bit disables the output driver and the input Schmitt trigger to prevent parasitic cross currents when applying analog signals. The VREF- reference is available at the pin. Channel A9, when selected with the INCHx bits, is connected to the VREF-/VeREF- pin.

6.10.7 Port P5, P5.3, Input/Output With Schmitt Trigger

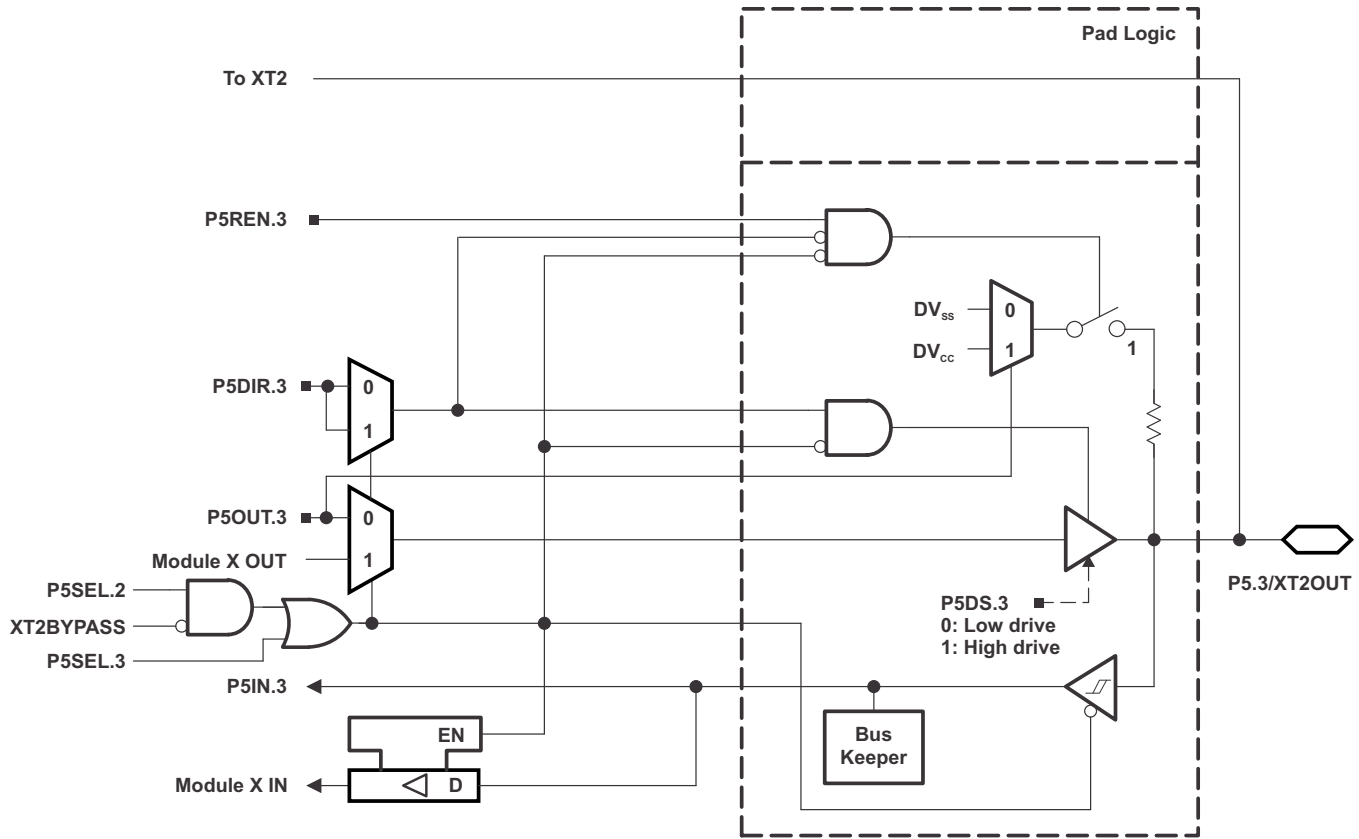
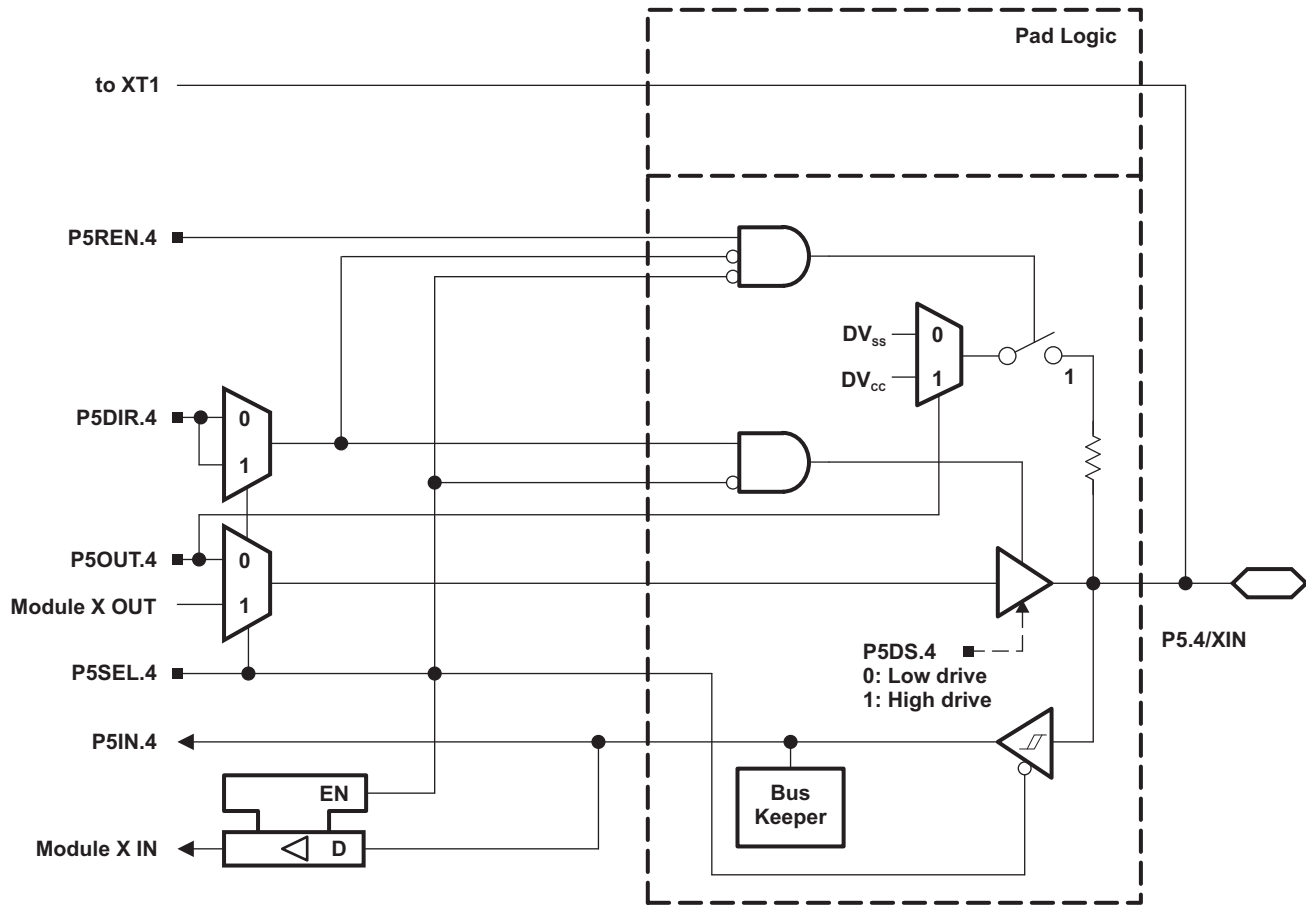


Table 6-51. Port P5 (P5.2, P5.3) Pin Functions

| PIN NAME (P5.x) | x | FUNCTION | CONTROL BITS OR SIGNALS ⁽¹⁾ | | | |
|-----------------|---|------------------------------------|--|---------|---------|-----------|
| | | | P5DIR.x | P5SEL.2 | P5SEL.3 | XT2BYPASS |
| P5.2/XT2IN | 2 | P5.2 (I/O) | I: 0; O: 1 | 0 | X | X |
| | | XT2IN crystal mode ⁽²⁾ | X | 1 | X | 0 |
| | | XT2IN bypass mode ⁽²⁾ | X | 1 | X | 1 |
| P5.3/XT2OUT | 3 | P5.3 (I/O) | I: 0; O: 1 | 0 | 0 | X |
| | | XT2OUT crystal mode ⁽³⁾ | X | 1 | X | 0 |
| | | P5.3 (I/O) ⁽³⁾ | X | 1 | 0 | 1 |

- (1) X = Don't care
- (2) Setting P5SEL.2 causes the general-purpose I/O to be disabled. Pending the setting of XT2BYPASS, P5.2 is configured for crystal mode or bypass mode.
- (3) Setting P5SEL.2 causes the general-purpose I/O to be disabled in crystal mode. When using bypass mode, P5.3 can be used as general-purpose I/O.

6.10.7.1 Port P5, P5.4 and P5.5 Input/Output With Schmitt Trigger



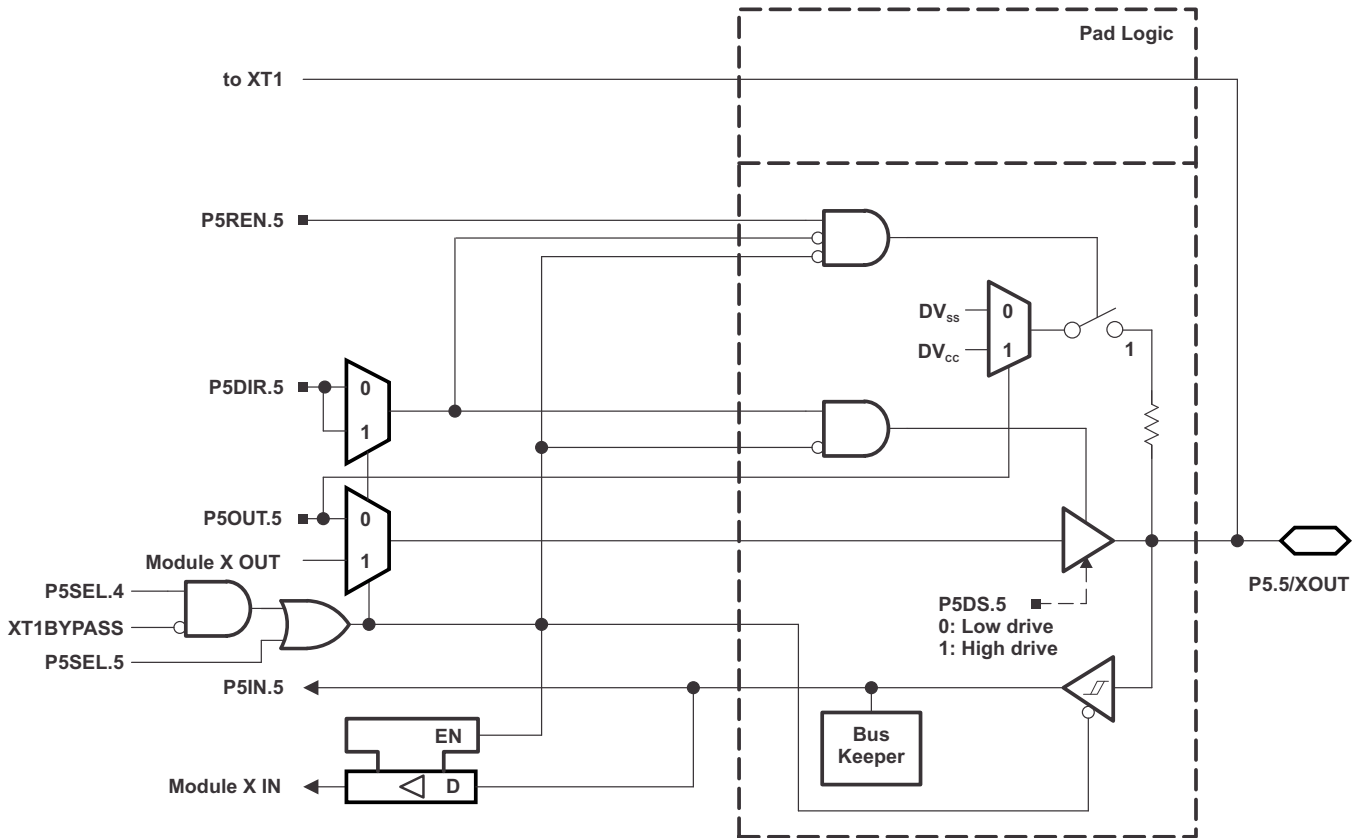


Table 6-52. Port P5 (P5.4 and P5.5) Pin Functions

| PIN NAME (P5.x) | x | FUNCTION | CONTROL BITS OR SIGNALS ⁽¹⁾ | | | |
|-----------------|---|----------------------------------|--|---------|---------|-----------|
| | | | P5DIR.x | P5SEL.4 | P5SEL.5 | XT1BYPASS |
| P5.4/XIN | 4 | P5.4 (I/O) | I: 0; O: 1 | 0 | X | X |
| | | XIN crystal mode ⁽²⁾ | X | 1 | X | 0 |
| | | XIN bypass mode ⁽²⁾ | X | 1 | X | 1 |
| P5.5/XOUT | 5 | P5.5 (I/O) | I: 0; O: 1 | 0 | 0 | X |
| | | XOUT crystal mode ⁽³⁾ | X | 1 | X | 0 |
| | | P5.5 (I/O) ⁽³⁾ | X | 1 | 0 | 1 |

- (1) X = Don't care
(2) Setting P5SEL.4 causes the general-purpose I/O to be disabled. Pending the setting of XT1BYPASS, P5.4 is configured for crystal mode or bypass mode.
(3) Setting P5SEL.4 causes the general-purpose I/O to be disabled in crystal mode. When using bypass mode, P5.5 can be used as general-purpose I/O.

6.10.8 Port P5, P5.6 to P5.7, Input/Output With Schmitt Trigger

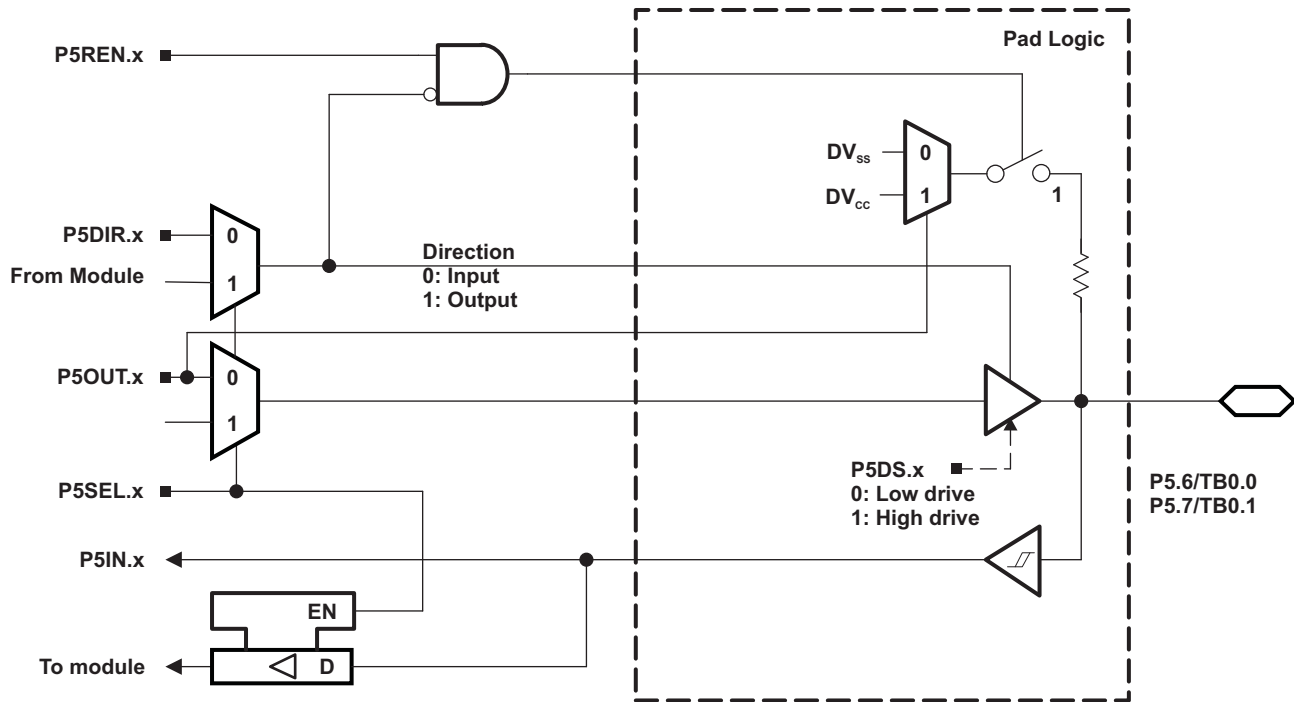


Table 6-53. Port P5 (P5.6 to P5.7) Pin Functions

| PIN NAME (P5.x) | x | FUNCTION | CONTROL BITS OR SIGNALS | |
|---------------------------|---|------------|-------------------------|---------|
| | | | P5DIR.x | P5SEL.x |
| P5.6/TB0.0 ⁽¹⁾ | 6 | P5.6 (I/O) | I: 0; O: 1 | 0 |
| | | TB0.CCI0A | 0 | 1 |
| | | TB0.0 | 1 | 1 |
| P5.7/TB0.1 ⁽¹⁾ | 7 | TB0.CCI1A | 0 | 1 |
| | | TB0.1 | 1 | 1 |

(1) F5529, F5527, F5525, F5521, F5519, F5517, F5515 devices only.

6.10.9 Port P6, P6.0 to P6.7, Input/Output With Schmitt Trigger

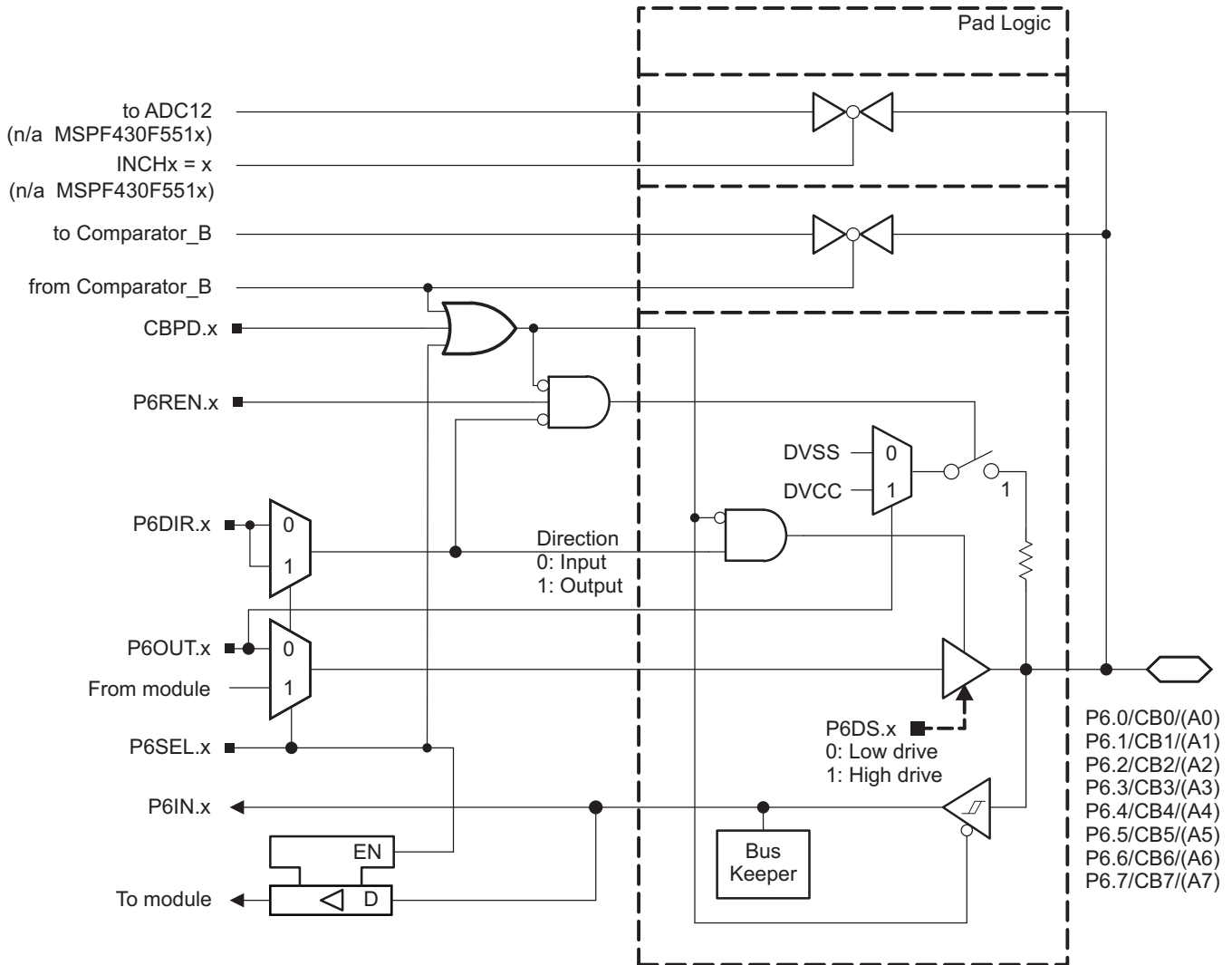


Table 6-54. Port P6 (P6.0 to P6.7) Pin Functions

| PIN NAME (P6.x) | x | FUNCTION | CONTROL BITS OR SIGNALS | | |
|-----------------|---|-----------------------|-------------------------|---------|------|
| | | | P6DIR.x | P6SEL.x | CBPD |
| P6.0/CB0/(A0) | 0 | P6.0 (I/O) | I: 0; O: 1 | 0 | 0 |
| | | A0 (only MSP430F552x) | X | 1 | X |
| | | CB0 ⁽¹⁾ | X | X | 1 |
| P6.1/CB1/(A1) | 1 | P6.1 (I/O) | I: 0; O: 1 | 0 | 0 |
| | | A1 (only MSP430F552x) | X | 1 | X |
| | | CB1 ⁽¹⁾ | X | X | 1 |
| P6.2/CB2/(A2) | 2 | P6.2 (I/O) | I: 0; O: 1 | 0 | 0 |
| | | A2 (only MSP430F552x) | X | 1 | X |
| | | CB2 ⁽¹⁾ | X | X | 1 |
| P6.3/CB3/(A3) | 3 | P6.3 (I/O) | I: 0; O: 1 | 0 | 0 |
| | | A3 (only MSP430F552x) | X | 1 | X |
| | | CB3 ⁽¹⁾ | X | X | 1 |
| P6.4/CB4/(A4) | 4 | P6.4 (I/O) | I: 0; O: 1 | 0 | 0 |
| | | A4 (only MSP430F552x) | X | 1 | X |
| | | CB4 ⁽¹⁾ | X | X | 1 |
| P6.5/CB5/(A5) | 5 | P6.5 (I/O) | I: 0; O: 1 | 0 | 0 |
| | | A5 (only MSP430F552x) | X | 1 | X |
| | | CB5 ⁽¹⁾ | X | X | 1 |
| P6.6/CB6/(A6) | 6 | P6.6 (I/O) | I: 0; O: 1 | 0 | 0 |
| | | A6 (only MSP430F552x) | X | 1 | X |
| | | CB6 ⁽¹⁾ | X | X | 1 |
| P6.7/CB7/(A7) | 7 | P6.7 (I/O) | I: 0; O: 1 | 0 | 0 |
| | | A7 (only MSP430F552x) | X | 1 | X |
| | | CB7 ⁽¹⁾ | X | X | 1 |

(1) Setting the CBPD.x bit disables the output driver and the input Schmitt trigger to prevent parasitic cross currents when applying analog signals. Selecting the CBx input pin to the comparator multiplexer with the CBx bits automatically disables output driver and input buffer for that pin, regardless of the state of the associated CBPD.x bit.

6.10.10 Port P7, P7.0 to P7.3, Input/Output With Schmitt Trigger

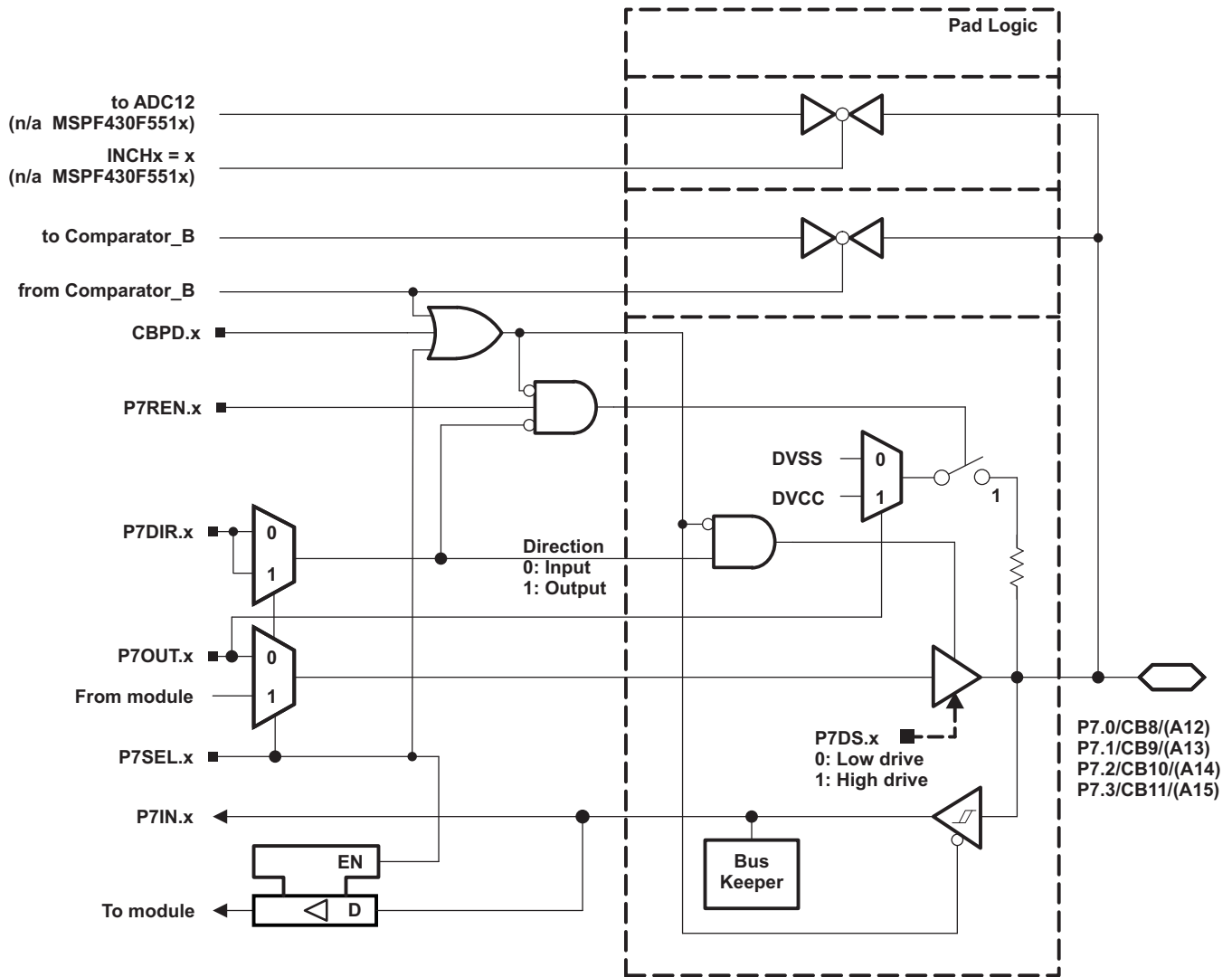


Table 6-55. Port P7 (P7.0 to P7.3) Pin Functions

| PIN NAME (P7.x) | x | FUNCTION | CONTROL BITS OR SIGNALS | | |
|-----------------|---|---------------------------|-------------------------|---------|------|
| | | | P7DIR.x | P7SEL.x | CBPD |
| P7.0/CB8/(A12) | 0 | P7.0 (I/O) ⁽¹⁾ | I: 0; O: 1 | 0 | 0 |
| | | A12 ⁽²⁾ | X | 1 | X |
| | | CB8 ⁽³⁾ (1) | X | X | 1 |
| P7.1/CB9/(A13) | 1 | P7.1 (I/O) ⁽¹⁾ | I: 0; O: 1 | 0 | 0 |
| | | A13 ⁽²⁾ | X | 1 | X |
| | | CB9 ⁽³⁾ (1) | X | X | 1 |
| P7.2/CB10/(A14) | 2 | P7.2 (I/O) ⁽¹⁾ | I: 0; O: 1 | 0 | 0 |
| | | A14 ⁽²⁾ | X | 1 | X |
| | | CB10 ⁽³⁾ (1) | X | X | 1 |
| P7.3/CB11/(A15) | 3 | P7.3 (I/O) ⁽¹⁾ | I: 0; O: 1 | 0 | 0 |
| | | A15 ⁽²⁾ | X | 1 | X |
| | | CB11 ⁽³⁾ (1) | X | X | 1 |

(1) F5529, F5527, F5525, F5521, F5519, F5517, F5515 devices only

(2) F5529, F5527, F5525, F5521 devices only

(3) Setting the CBPD.x bit disables the output driver and the input Schmitt trigger to prevent parasitic cross currents when applying analog signals. Selecting the CBx input pin to the comparator multiplexer with the CBx bits automatically disables output driver and input buffer for that pin, regardless of the state of the associated CBPD.x bit.

6.10.11 Port P7, P7.4 to P7.7, Input/Output With Schmitt Trigger

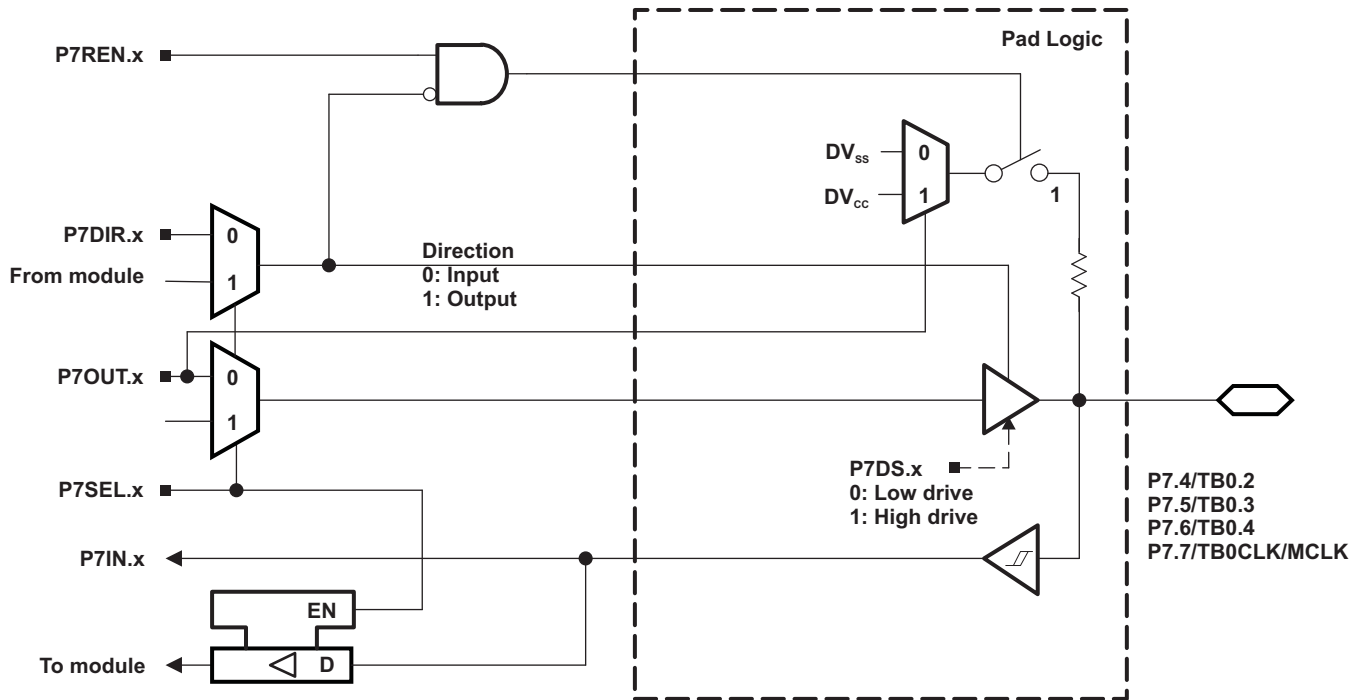


Table 6-56. Port P7 (P7.4 to P7.7) Pin Functions

| PIN NAME (P7.x) | x | FUNCTION | CONTROL BITS OR SIGNALS | |
|---------------------------------|---|------------|-------------------------|---------|
| | | | P7DIR.x | P7SEL.x |
| P7.4/TB0.2 ⁽¹⁾ | 4 | P7.4 (I/O) | I: 0; O: 1 | 0 |
| | | TB0.CCI2A | 0 | 1 |
| | | TB0.2 | 1 | 1 |
| P7.5/TB0.3 ⁽¹⁾ | 5 | P7.5 (I/O) | I: 0; O: 1 | 0 |
| | | TB0.CCI3A | 0 | 1 |
| | | TB0.3 | 1 | 1 |
| P7.6/TB0.4 ⁽¹⁾ | 6 | P7.6 (I/O) | I: 0; O: 1 | 0 |
| | | TB0.CCI4A | 0 | 1 |
| | | TB0.4 | 1 | 1 |
| P7.7/TB0CLK/MCLK ⁽¹⁾ | 7 | P7.7 (I/O) | I: 0; O: 1 | 0 |
| | | TB0CLK | 0 | 1 |
| | | MCLK | 1 | 1 |

(1) F5529, F5527, F5525, F5521, F5519, F5517, F5515 devices only

6.10.12 Port P8, P8.0 to P8.2, Input/Output With Schmitt Trigger

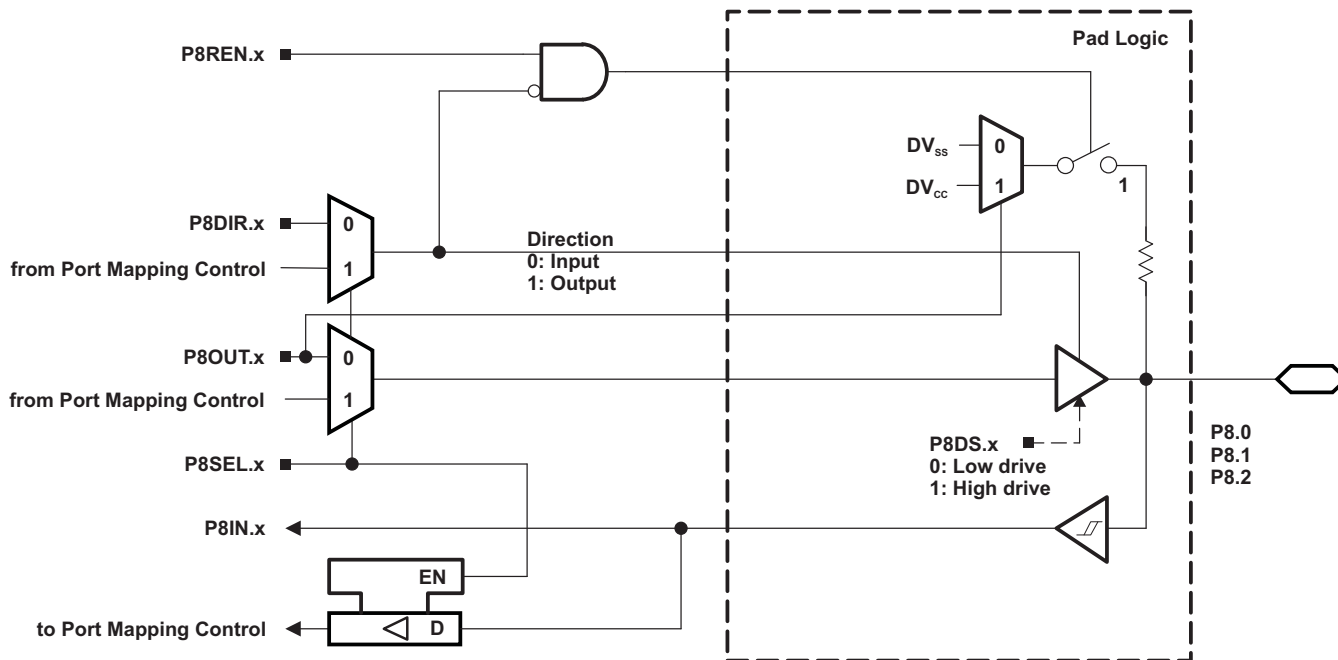


Table 6-57. Port P8 (P8.0 to P8.2) Pin Functions

| PIN NAME (P8.x) | x | FUNCTION | CONTROL BITS OR SIGNALS | |
|---------------------|---|-----------|-------------------------|---------|
| | | | P8DIR.x | P8SEL.x |
| P8.0 ⁽¹⁾ | 0 | P8.0(I/O) | I: 0; O: 1 | 0 |
| P8.1 ⁽¹⁾ | 1 | P8.1(I/O) | I: 0; O: 1 | 0 |
| P8.2 ⁽¹⁾ | 2 | P8.2(I/O) | I: 0; O: 1 | 0 |

(1) F5529, F5527, F5525, F5521, F5519, F5517, F5515 devices only

6.10.13 Port PU.0/DP, PU.1/DM, PUR USB Ports

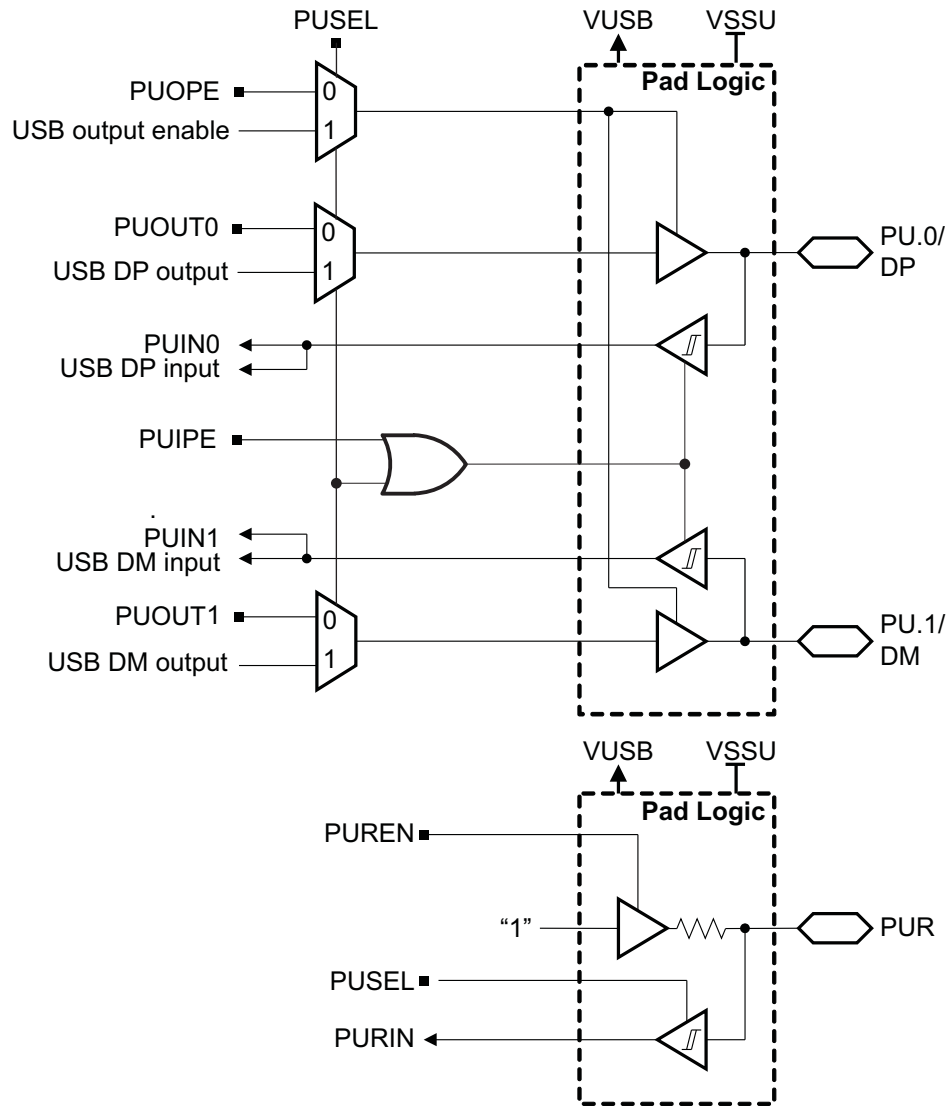


Table 6-58. Port PU.0/DP, PU.1/DM Output Functions⁽¹⁾

| CONTROL BITS | | | | PIN NAME | |
|--------------|-------|--------|--------|-------------------|-------------------|
| PUSEL | PUOPE | PUOUT1 | PUOUT0 | PU.1/DM | PU.0/DP |
| 0 | 0 | X | X | Output disabled | Output disabled |
| 0 | 1 | 0 | 0 | Output low | Output low |
| 0 | 1 | 0 | 1 | Output low | Output high |
| 0 | 1 | 1 | 0 | Output high | Output low |
| 0 | 1 | 1 | 1 | Output high | Output high |
| 1 | X | X | X | DM ⁽²⁾ | DP ⁽²⁾ |

- (1) PU.1/DM and PU.0/DP inputs and outputs are supplied from VUSB. VUSB can be generated by the device using the integrated 3.3-V LDO when enabled. VUSB can also be supplied externally when the 3.3-V LDO is not being used and is disabled.
(2) Output state set by the USB module.

Table 6-59. Port PU.0/DP, PU.1/DM Input Functions⁽¹⁾

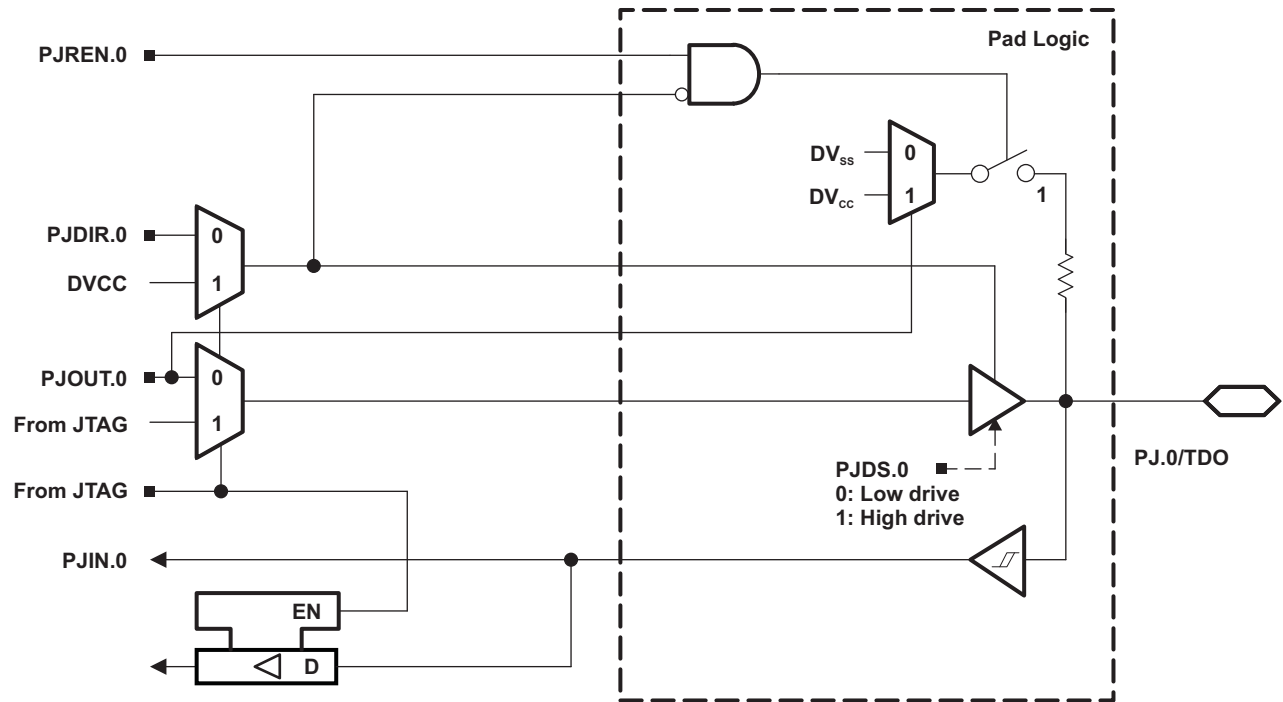
| CONTROL BITS | | PIN NAME | |
|--------------|-------|----------------|----------------|
| PUSEL | PUIPE | PU.1/DM | PU.0/DP |
| 0 | 0 | Input disabled | Input disabled |
| 0 | 1 | Input enabled | Input enabled |
| 1 | X | DM input | DP input |

- (1) PU.1/DM and PU.0/DP inputs and outputs are supplied from VUSB. VUSB can be generated by the device using the integrated 3.3-V LDO when enabled. VUSB can also be supplied externally when the 3.3-V LDO is not being used and is disabled.

Table 6-60. Port PUR Input Functions

| CONTROL BITS | | FUNCTION |
|--------------|-------|-----------------------------------|
| PUSEL | PUREN | |
| 0 | 0 | Input disabled Pullup disabled |
| 0 | 1 | Input disabled Pullup enabled |
| 1 | 0 | Input enabled Pullup disabled |
| 1 | 1 | Input enabled Pullup enabled |

6.10.14 Port J, J.0 JTAG Pin TDO, Input/Output With Schmitt Trigger or Output



6.10.15 Port J, J.1 to J.3 JTAG Pins TMS, TCK, TDI/TCLK, Input/Output With Schmitt Trigger or Output

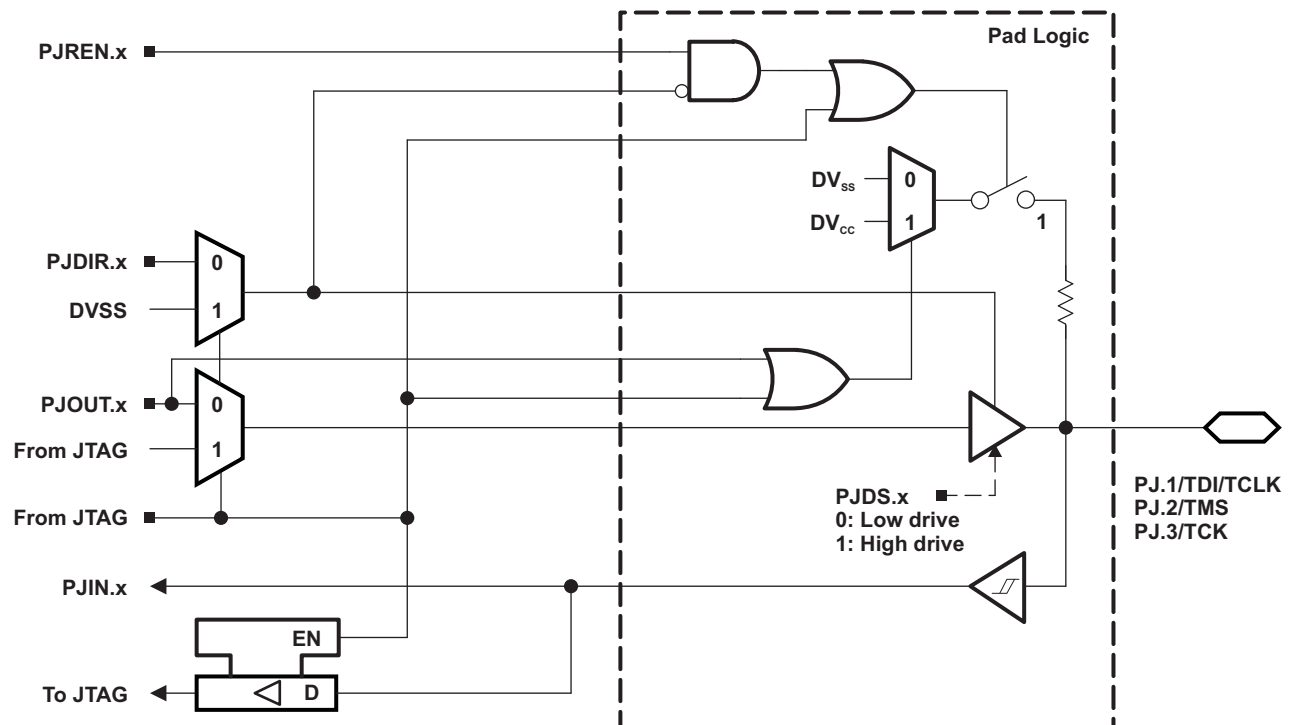


Table 6-61. Port PJ (PJ.0 to PJ.3) Pin Functions

| PIN NAME (PJ.x) | x | FUNCTION | CONTROL BITS/ SIGNALS ⁽¹⁾ |
|-----------------|---|-----------------------------|---|
| | | | PJDIR.x |
| PJ.0/TDO | 0 | PJ.0 (I/O) ⁽²⁾ | I: 0; O: 1 |
| | | TDO ⁽³⁾ | X |
| PJ.1/TDI/TCLK | 1 | PJ.1 (I/O) ⁽²⁾ | I: 0; O: 1 |
| | | TDI/TCLK ^{(3) (4)} | X |
| PJ.2/TMS | 2 | PJ.2 (I/O) ⁽²⁾ | I: 0; O: 1 |
| | | TMS ^{(3) (4)} | X |
| PJ.3/TCK | 3 | PJ.3 (I/O) ⁽²⁾ | I: 0; O: 1 |
| | | TCK ^{(3) (4)} | X |

(1) X = Don't care

(2) Default condition

(3) The pin direction is controlled by the JTAG module.

(4) In JTAG mode, pullups are activated automatically on TMS, TCK, and TDI/TCLK. PJREN.x are do not care.

6.11 Device Descriptors (TLV)

Table 6-62 and Table 6-63 list the complete contents of the device descriptor tag-length-value (TLV) structure for each device type.

Table 6-62. MSP430F552x Device Descriptor Table⁽¹⁾

| | DESCRIPTION | ADDRESS | SIZE (bytes) | VALUE | | | | | | | | |
|---------------------------------------|---------------------------------------|---------|-----------------|------------|------------|------------|------------|------------|------------|------------|------------|------------|
| | | | | F5529 | F5528 | F5527 | F5526 | F5525 | F5524 | F5522 | F5521 | |
| Info Block | Info length | 01A00h | 1 | 06h | 06h | 06h | 06h | 06h | 06h | 06h | 06h | 06h |
| | CRC length | 01A01h | 1 | 06h | 06h | 06h | 06h | 06h | 06h | 06h | 06h | 06h |
| | CRC value | 01A02h | 2 | per unit | per unit | per unit | per unit | per unit | per unit | per unit | per unit | per unit |
| | Device ID | 01A04h | 1 | 55h | 55h | 55h | 55h | 55h | 55h | 55h | 55h | 55h |
| | Device ID | 01A05h | 1 | 29h | 28h | 27h | 26h | 25h | 24h | 22h | 21h | |
| | Hardware revision | 01A06h | 1 | per unit | per unit | per unit | per unit | per unit | per unit | per unit | per unit | per unit |
| | Firmware revision | 01A07h | 1 | per unit | per unit | per unit | per unit | per unit | per unit | per unit | per unit | per unit |
| Die Record | Die Record Tag | 01A08h | 1 | 08h | 08h | 08h | 08h | 08h | 08h | 08h | 08h | 08h |
| | Die Record length | 01A09h | 1 | 0Ah | 0Ah | 0Ah | 0Ah | 0Ah | 0Ah | 0Ah | 0Ah | 0Ah |
| | Lot/Wafer ID | 01A0Ah | 4 | per unit | per unit | per unit | per unit | per unit | per unit | per unit | per unit | per unit |
| | Die X position | 01A0Eh | 2 | per unit | per unit | per unit | per unit | per unit | per unit | per unit | per unit | per unit |
| | Die Y position | 01A10h | 2 | per unit | per unit | per unit | per unit | per unit | per unit | per unit | per unit | per unit |
| | Test results | 01A12h | 2 | per unit | per unit | per unit | per unit | per unit | per unit | per unit | per unit | per unit |
| ADC12 Calibration | ADC12 Calibration Tag | 01A14h | 1 | 11h | 11h | 11h | 11h | 11h | 11h | 11h | 11h | 11h |
| | ADC12 Calibration length | 01A15h | 1 | 10h | 10h | 10h | 10h | 10h | 10h | 10h | 10h | 10h |
| | ADC Gain Factor | 01A16h | 2 | per unit | per unit | per unit | per unit | per unit | per unit | per unit | per unit | per unit |
| | ADC Offset | 01A18h | 2 | per unit | per unit | per unit | per unit | per unit | per unit | per unit | per unit | per unit |
| | ADC 1.5-V Reference Temp. Sensor 30°C | 01A1Ah | 2 | per unit | per unit | per unit | per unit | per unit | per unit | per unit | per unit | per unit |
| | ADC 1.5-V Reference Temp. Sensor 85°C | 01A1Ch | 2 | per unit | per unit | per unit | per unit | per unit | per unit | per unit | per unit | per unit |
| | ADC 2.0-V Reference Temp. Sensor 30°C | 01A1Eh | 2 | per unit | per unit | per unit | per unit | per unit | per unit | per unit | per unit | per unit |
| | ADC 2.0-V Reference Temp. Sensor 85°C | 01A20h | 2 | per unit | per unit | per unit | per unit | per unit | per unit | per unit | per unit | per unit |
| | ADC 2.5-V Reference Temp. Sensor 30°C | 01A22h | 2 | per unit | per unit | per unit | per unit | per unit | per unit | per unit | per unit | per unit |
| ADC 2.5-V Reference Temp. Sensor 85°C | 01A24h | 2 | per unit | per unit | per unit | per unit | per unit | per unit | per unit | per unit | per unit | |
| REF Calibration | REF Calibration Tag | 01A26h | 1 | 12h | 12h | 12h | 12h | 12h | 12h | 12h | 12h | 12h |
| | REF Calibration length | 01A27h | 1 | 06h | 06h | 06h | 06h | 06h | 06h | 06h | 06h | 06h |
| | REF 1.5-V Reference Factor | 01A28h | 2 | per unit | per unit | per unit | per unit | per unit | per unit | per unit | per unit | per unit |
| | REF 2.0-V Reference Factor | 01A2Ah | 2 | per unit | per unit | per unit | per unit | per unit | per unit | per unit | per unit | per unit |
| | REF 2.5-V Reference Factor | 01A2Ch | 2 | per unit | per unit | per unit | per unit | per unit | per unit | per unit | per unit | per unit |
| Peripheral Descriptor | Peripheral Descriptor Tag | 01A2Eh | 1 | 02h | 02h | 02h | 02h | 02h | 02h | 02h | 02h | 02h |
| | Peripheral Descriptor Length | 01A2Fh | 1 | 63h | 61h | 65h | 63h | 63h | 61h | 61h | 64h | |
| | Memory 1 | | 2 | 08h 8Ah | 08h 8Ah | 08h 8Ah | 08h 8Ah | 08h 8Ah | 08h 8Ah | 08h 8Ah | 08h 8Ah | 08h 8Ah |
| | Memory 2 | | 2 | 0Ch 86h | 0Ch 86h | 0Ch 86h | 0Ch 86h | 0Ch 86h | 0Ch 86h | 0Ch 86h | 0Ch 86h | 0Ch 86h |
| | Memory 3 | | 2 | 0Eh 2Ah | 0Eh 2Ah | 0Eh 2Ah | 0Eh 2Ah | 0Eh 2Ah | 0Eh 2Ah | 0Eh 2Ah | 0Eh 2Ah | 0Eh 2Ah |
| | Memory 4 | | 2 | 12h 2Eh | 12h 2Eh | 12h 2Dh | 12h 2Dh | 12h 2Ch | 12h 2Ch | 12h 2Eh | 12h 2Dh | |
| | Memory 5 | | 2 | 22h 96h | 22h 96h | 2Ah 22h | 2Ah 22h | 22h 94h | 22h 94h | 40h 92h | 2Ah 40h | 40h |

(1) NA = Not applicable, blank = unused and reads FFh.

Table 6-62. MSP430F552x Device Descriptor Table⁽¹⁾ (continued)

| | DESCRIPTION | ADDRESS | SIZE (bytes) | VALUE | | | | | | | |
|--|------------------|---------|-----------------|------------|------------|------------|------------|------------|------------|------------|------------|
| | | | | F5529 | F5528 | F5527 | F5526 | F5525 | F5524 | F5522 | F5521 |
| | Memory 6 | | 1/2 | N/A | N/A | 95h 92h | 95h 92h | N/A | N/A | N/A | 92h |
| | delimiter | | 1 | 00h | 00h | 00h | 00h | 00h | 00h | 00h | 00h |
| | Peripheral count | | 1 | 21h | 20h | 21h | 20h | 21h | 20h | 20h | 21h |
| | MSP430CPUXV2 | | 2 | 00h 23h | 00h 23h | 00h 23h | 00h 23h | 00h 23h | 00h 23h | 00h 23h | 00h 23h |
| | JTAG | | 2 | 00h 09h | 00h 09h | 00h 09h | 00h 09h | 00h 09h | 00h 09h | 00h 09h | 00h 09h |
| | SBW | | 2 | 00h 0Fh | 00h 0Fh | 00h 0Fh | 00h 0Fh | 00h 0Fh | 00h 0Fh | 00h 0Fh | 00h 0Fh |
| | EEM-L | | 2 | 00h 05h | 00h 05h | 00h 05h | 00h 05h | 00h 05h | 00h 05h | 00h 05h | 00h 05h |
| | TI BSL | | 2 | 00h FCh | 00h FCh | 00h FCh | 00h FCh | 00h FCh | 00h FCh | 00h FCh | 00h FCh |
| | SFR | | 2 | 10h 41h | 10h 41h | 10h 41h | 10h 41h | 10h 41h | 10h 41h | 10h 41h | 10h 41h |
| | PMM | | 2 | 02h 30h | 02h 30h | 02h 30h | 02h 30h | 02h 30h | 02h 30h | 02h 30h | 02h 30h |
| | FCTL | | 2 | 02h 38h | 02h 38h | 02h 38h | 02h 38h | 02h 38h | 02h 38h | 02h 38h | 02h 38h |
| | CRC16 | | 2 | 01h 3Ch | 01h 3Ch | 01h 3Ch | 01h 3Ch | 01h 3Ch | 01h 3Ch | 01h 3Ch | 01h 3Ch |
| | CRC16_RB | | 2 | 00h 3Dh | 00h 3Dh | 00h 3Dh | 00h 3Dh | 00h 3Dh | 00h 3Dh | 00h 3Dh | 00h 3Dh |
| | RAMCTL | | 2 | 00h 44h | 00h 44h | 00h 44h | 00h 44h | 00h 44h | 00h 44h | 00h 44h | 00h 44h |
| | WDT_A | | 2 | 00h 40h | 00h 40h | 00h 40h | 00h 40h | 00h 40h | 00h 40h | 00h 40h | 00h 40h |
| | UCS | | 2 | 01h 48h | 01h 48h | 01h 48h | 01h 48h | 01h 48h | 01h 48h | 01h 48h | 01h 48h |
| | SYS | | 2 | 02h 42h | 02h 42h | 02h 42h | 02h 42h | 02h 42h | 02h 42h | 02h 42h | 02h 42h |
| | REF | | 2 | 03h A0h | 03h A0h | 03h A0h | 03h A0h | 03h A0h | 03h A0h | 03h A0h | 03h A0h |
| | Port Mapping | | 2 | 01h 10h | 01h 10h | 01h 10h | 01h 10h | 01h 10h | 01h 10h | 01h 10h | 01h 10h |
| | Port 1/2 | | 2 | 04h 51h | 04h 51h | 04h 51h | 04h 51h | 04h 51h | 04h 51h | 04h 51h | 04h 51h |
| | Port 3/4 | | 2 | 02h 52h | 02h 52h | 02h 52h | 02h 52h | 02h 52h | 02h 52h | 02h 52h | 02h 52h |
| | Port 5/6 | | 2 | 02h 53h | 02h 53h | 02h 53h | 02h 53h | 02h 53h | 02h 53h | 02h 53h | 02h 53h |
| | Port 7/8 | | 2 | 02h 54h | N/A | 02h 54h | N/A | 02h 54h | N/A | N/A | 02h 54h |
| | JTAG | | 2 | 0Ch 5Fh | 0Eh 5Fh | 0Ch 5Fh | 0Eh 5Fh | 0Ch 5Fh | 0Eh 5Fh | 0Eh 5Fh | 0Ch 5Fh |
| | TA0 | | 2 | 02h 62h | 02h 62h | 02h 62h | 02h 62h | 02h 62h | 02h 62h | 02h 62h | 02h 62h |
| | TA1 | | 2 | 04h 61h | 04h 61h | 04h 61h | 04h 61h | 04h 61h | 04h 61h | 04h 61h | 04h 61h |
| | TB0 | | 2 | 04h 67h | 04h 67h | 04h 67h | 04h 67h | 04h 67h | 04h 67h | 04h 67h | 04h 67h |
| | TA2 | | 2 | 04h 61h | 04h 61h | 04h 61h | 04h 61h | 04h 61h | 04h 61h | 04h 61h | 04h 61h |
| | RTC | | 2 | 0Ah 68h | 0Ah 68h | 0Ah 68h | 0Ah 68h | 0Ah 68h | 0Ah 68h | 0Ah 68h | 0Ah 68h |
| | MPY32 | | 2 | 02h 85h | 02h 85h | 02h 85h | 02h 85h | 02h 85h | 02h 85h | 02h 85h | 02h 85h |
| | DMA-3 | | 2 | 04h 47h | 04h 47h | 04h 47h | 04h 47h | 04h 47h | 04h 47h | 04h 47h | 04h 47h |

Table 6-62. MSP430F552x Device Descriptor Table⁽¹⁾ (continued)

| | DESCRIPTION | ADDRESS | SIZE (bytes) | VALUE | | | | | | | |
|------------|---------------|---------|-----------------|------------|------------|------------|------------|------------|------------|------------|------------|
| | | | | F5529 | F5528 | F5527 | F5526 | F5525 | F5524 | F5522 | F5521 |
| | USCI_A/B | | 2 | 0Ch 90h | 0Ch 90h | 0Ch 90h | 0Ch 90h | 0Ch 90h | 0Ch 90h | 0Ch 90h | 0Ch 90h |
| | USCI_A/B | | 2 | 04h 90h | 04h 90h | 04h 90h | 04h 90h | 04h 90h | 04h 90h | 04h 90h | 04h 90h |
| | ADC12_A | | 2 | 10h D1h | 10h D1h | 10h D1h | 10h D1h | 10h D1h | 10h D1h | 10h D1h | 10h D1h |
| | COMP_B | | 2 | 1Ch A8h | 1Ch A8h | 1Ch A8h | 1Ch A8h | 1Ch A8h | 1Ch A8h | 1Ch A8h | 1Ch A8h |
| | USB | | 2 | 04h 98h | 04h 98h | 04h 98h | 04h 98h | 04h 98h | 04h 98h | 04h 98h | 04h 98h |
| Interrupts | COMP_B | | 1 | A8h | A8h | A8h | A8h | A8h | A8h | A8h | A8h |
| | TB0.CCIFG0 | | 1 | 64h | 64h | 64h | 64h | 64h | 64h | 64h | 64h |
| | TB0.CCIFG1..6 | | 1 | 65h | 65h | 65h | 65h | 65h | 65h | 65h | 65h |
| | WDTIFG | | 1 | 40h | 40h | 40h | 40h | 40h | 40h | 40h | 40h |
| | USCI_A0 | | 1 | 90h | 90h | 90h | 90h | 90h | 90h | 90h | 90h |
| | USCI_B0 | | 1 | 91h | 91h | 91h | 91h | 91h | 91h | 91h | 91h |
| | ADC12_A | | 1 | D0h | D0h | D0h | D0h | D0h | D0h | D0h | D0h |
| | TA0.CCIFG0 | | 1 | 60h | 60h | 60h | 60h | 60h | 60h | 60h | 60h |
| | TA0.CCIFG1..4 | | 1 | 61h | 61h | 61h | 61h | 61h | 61h | 61h | 61h |
| | USB | | 1 | 98h | 98h | 98h | 98h | 98h | 98h | 98h | 98h |
| | DMA | | 1 | 46h | 46h | 46h | 46h | 46h | 46h | 46h | 46h |
| | TA1.CCIFG0 | | 1 | 62h | 62h | 62h | 62h | 62h | 62h | 62h | 62h |
| | TA1.CCIFG1..2 | | 1 | 63h | 63h | 63h | 63h | 63h | 63h | 63h | 63h |
| | P1 | | 1 | 50h | 50h | 50h | 50h | 50h | 50h | 50h | 50h |
| | USCI_A1 | | 1 | 92h | 92h | 92h | 92h | 92h | 92h | 92h | 92h |
| | USCI_B1 | | 1 | 93h | 93h | 93h | 93h | 93h | 93h | 93h | 93h |
| | TA1.CCIFG0 | | 1 | 66h | 66h | 66h | 66h | 66h | 66h | 66h | 66h |
| | TA1.CCIFG1..2 | | 1 | 67h | 67h | 67h | 67h | 67h | 67h | 67h | 67h |
| | P2 | | 1 | 51h | 51h | 51h | 51h | 51h | 51h | 51h | 51h |
| | RTC_A | | 1 | 68h | 68h | 68h | 68h | 68h | 68h | 68h | 68h |
| | delimiter | | 1 | 00h | 00h | 00h | 00h | 00h | 00h | 00h | 00h |

Table 6-63. MSP430F551x Device Descriptor Table⁽¹⁾

| | DESCRIPTION | ADDRESS | SIZE (bytes) | VALUE | | | | |
|-------------------|--------------------------|---------|-----------------|----------|----------|----------|----------|----------|
| | | | | F5519 | F5517 | F5515 | F5514 | F5513 |
| Info Block | Info length | 01A00h | 1 | 55h | 55h | 55h | 55h | 55h |
| | CRC length | 01A01h | 1 | 19h | 17h | 15h | 14h | 13h |
| | CRC value | 01A02h | 2 | per unit | per unit | per unit | per unit | per unit |
| | Device ID | 01A04h | 1 | 22h | 21h | 55h | 55h | 20h |
| | Device ID | 01A05h | 1 | 80h | 80h | 15h | 14h | 80h |
| | Hardware revision | 01A06h | 1 | per unit | per unit | per unit | per unit | per unit |
| | Firmware revision | 01A07h | 1 | per unit | per unit | per unit | per unit | per unit |
| Die Record | Die Record Tag | 01A08h | 1 | 08h | 08h | 08h | 08h | 08h |
| | Die Record length | 01A09h | 1 | 0Ah | 0Ah | 0Ah | 0Ah | 0Ah |
| | Lot/Wafer ID | 01A0Ah | 4 | per unit | per unit | per unit | per unit | per unit |
| | Die X position | 01A0Eh | 2 | per unit | per unit | per unit | per unit | per unit |
| | Die Y position | 01A10h | 2 | per unit | per unit | per unit | per unit | per unit |
| | Test results | 01A12h | 2 | per unit | per unit | per unit | per unit | per unit |
| ADC12 Calibration | ADC12 Calibration Tag | 01A14h | 1 | 05h | 05h | 11h | 11h | 05h |
| | ADC12 Calibration length | 01A15h | 1 | 10h | 10h | 10h | 10h | 10h |
| | ADC Gain Factor | 01A16h | 2 | blank | blank | blank | blank | blank |

(1) NA = Not applicable, blank = unused and reads FFh.

Table 6-63. MSP430F551x Device Descriptor Table⁽¹⁾ (continued)

| | DESCRIPTION | ADDRESS | SIZE (bytes) | VALUE | | | | |
|-----------------------|---------------------------------------|---------|--------------|------------|------------|------------|------------|------------|
| | | | | F5519 | F5517 | F5515 | F5514 | F5513 |
| | ADC Offset | 01A18h | 2 | blank | blank | blank | blank | blank |
| | ADC 1.5-V Reference Temp. Sensor 30°C | 01A1Ah | 2 | blank | blank | blank | blank | blank |
| | ADC 1.5-V Reference Temp. Sensor 85°C | 01A1Ch | 2 | blank | blank | blank | blank | blank |
| | ADC 2.0-V Reference Temp. Sensor 30°C | 01A1Eh | 2 | blank | blank | blank | blank | blank |
| | ADC 2.0-V Reference Temp. Sensor 85°C | 01A20h | 2 | blank | blank | blank | blank | blank |
| | ADC 2.5-V Reference Temp. Sensor 30°C | 01A22h | 2 | blank | blank | blank | blank | blank |
| | ADC 2.5-V Reference Temp. Sensor 85°C | 01A24h | 2 | blank | blank | blank | blank | blank |
| REF Calibration | REF Calibration Tag | 01A26h | 1 | 12h | 12h | 12h | 12h | 12h |
| | REF Calibration length | 01A27h | 1 | 06h | 06h | 06h | 06h | 06h |
| | REF 1.5-V Reference Factor | 01A28h | 2 | per unit | per unit | per unit | per unit | per unit |
| | REF 2.0-V Reference Factor | 01A2Ah | 2 | per unit | per unit | per unit | per unit | per unit |
| | REF 2.5-V Reference Factor | 01A2Ch | 2 | per unit | per unit | per unit | per unit | per unit |
| Peripheral Descriptor | Peripheral Descriptor Tag | 01A2Eh | 1 | 02h | 02h | 02h | 02h | 02h |
| | Peripheral Descriptor Length | 01A2Fh | 1 | 61h | 63h | 61h | 5Fh | 5Fh |
| | Memory 1 | | 2 | 08h 8Ah | 08h 8Ah | 08h 8Ah | 08h 8Ah | 08h 8Ah |
| | Memory 2 | | 2 | 0Ch 86h | 0Ch 86h | 0Ch 86h | 0Ch 86h | 0Ch 86h |
| | Memory 3 | | 2 | 0Eh 2Ah | 0Eh 2Ah | 0Eh 2Ah | 0Eh 2Ah | 0Eh 2Ah |
| | Memory 4 | | 2 | 12h 2Eh | 12h 2Dh | 12h 2Ch | 12h 2Ch | 12h 2Ch |
| | Memory 5 | | 2 | 22h 96h | 2Ah 22h | 22h 94h | 22h 94h | 40h 92h |
| | Memory 6 | | 1/2 | N/A | 95h 92h | N/A | N/A | N/A |
| | delimiter | | 1 | 00h | 00h | 00h | 00h | 00h |
| | Peripheral count | | 1 | 20h | 20h | 20h | 1Fh | 1Fh |
| | MSP430CPUXV2 | | 2 | 00h 23h | 00h 23h | 00h 23h | 00h 23h | 00h 23h |
| | JTAG | | 2 | 00h 09h | 00h 09h | 00h 09h | 00h 09h | 00h 09h |
| | SBW | | 2 | 00h 0Fh | 00h 0Fh | 00h 0Fh | 00h 0Fh | 00h 0Fh |
| | EEM-L | | 2 | 00h 05h | 00h 05h | 00h 05h | 00h 05h | 00h 05h |
| | TI BSL | | 2 | 00h FCh | 00h FCh | 00h FCh | 00h FCh | 00h FCh |
| | SFR | | 2 | 10h 41h | 10h 41h | 10h 41h | 10h 41h | 10h 41h |
| | PMM | | 2 | 02h 30h | 02h 30h | 02h 30h | 02h 30h | 02h 30h |
| | FCTL | | 2 | 02h 38h | 02h 38h | 02h 38h | 02h 38h | 02h 38h |
| | CRC16 | | 2 | 01h 3Ch | 01h 3Ch | 01h 3Ch | 01h 3Ch | 01h 3Ch |
| | CRC16_RB | | 2 | 00h 3Dh | 00h 3Dh | 00h 3Dh | 00h 3Dh | 00h 3Dh |
| RAMCTL | | 2 | 00h 44h | 00h 44h | 00h 44h | 00h 44h | 00h 44h | |

Table 6-63. MSP430F551x Device Descriptor Table⁽¹⁾ (continued)

| | DESCRIPTION | ADDRESS | SIZE (bytes) | VALUE | | | | |
|------------|---------------|---------|-----------------|------------|------------|------------|------------|------------|
| | | | | F5519 | F5517 | F5515 | F5514 | F5513 |
| | WDT_A | | 2 | 00h 40h | 00h 40h | 00h 40h | 00h 40h | 00h 40h |
| | UCS | | 2 | 01h 48h | 01h 48h | 01h 48h | 01h 48h | 01h 48h |
| | SYS | | 2 | 02h 42h | 02h 42h | 02h 42h | 02h 42h | 02h 42h |
| | REF | | 2 | 03h A0h | 03h A0h | 03h A0h | 03h A0h | 03h A0h |
| | Port Mapping | | 2 | 01h 10h | 01h 10h | 01h 10h | 01h 10h | 01h 10h |
| | Port 1/2 | | 2 | 04h 51h | 04h 51h | 04h 51h | 04h 51h | 04h 51h |
| | Port 3/4 | | 2 | 02h 52h | 02h 52h | 02h 52h | 02h 52h | 02h 52h |
| | Port 5/6 | | 2 | 02h 53h | 02h 53h | 02h 53h | 02h 53h | 02h 53h |
| | Port 7/8 | | 2 | 02h 54h | 02h 54h | 02h 54h | N/A | N/A |
| | JTAG | | 2 | 0Ch 5Fh | 0Ch 5Fh | 0Ch 5Fh | 0Eh 5Fh | 0Eh 5Fh |
| | TA0 | | 2 | 02h 62h | 02h 62h | 02h 62h | 02h 62h | 02h 62h |
| | TA1 | | 2 | 04h 61h | 04h 61h | 04h 61h | 04h 61h | 04h 61h |
| | TB0 | | 2 | 04h 67h | 04h 67h | 04h 67h | 04h 67h | 04h 67h |
| | TA2 | | 2 | 04h 61h | 04h 61h | 04h 61h | 04h 61h | 04h 61h |
| | RTC | | 2 | 0Ah 68h | 0Ah 68h | 0Ah 68h | 0Ah 68h | 0Ah 68h |
| | MPY32 | | 2 | 02h 85h | 02h 85h | 02h 85h | 02h 85h | 02h 85h |
| | DMA-3 | | 2 | 04h 47h | 04h 47h | 04h 47h | 04h 47h | 04h 47h |
| | USCI_A/B | | 2 | 0Ch 90h | 0Ch 90h | 0Ch 90h | 0Ch 90h | 0Ch 90h |
| | USCI_A/B | | 2 | 04h 90h | 04h 90h | 04h 90h | 04h 90h | 04h 90h |
| | ADC12_A | | 2 | N/A | N/A | N/A | N/A | N/A |
| | COMP_B | | 2 | 2Ch A8h | 2Ch A8h | 2Ch A8h | 2Ch A8h | 2Ch A8h |
| | USB | | 2 | 04h 98h | 04h 98h | 04h 98h | 04h 98h | 04h 98h |
| Interrupts | COMP_B | | 1 | A8h | A8h | A8h | A8h | A8h |
| | TB0.CCIFG0 | | 1 | 64h | 64h | 64h | 64h | 64h |
| | TB0.CCIFG1..6 | | 1 | 65h | 65h | 65h | 65h | 65h |
| | WDTIFG | | 1 | 40h | 40h | 40h | 40h | 40h |
| | USCI_A0 | | 1 | 90h | 90h | 90h | 90h | 90h |
| | USCI_B0 | | 1 | 91h | 91h | 91h | 91h | 91h |
| | ADC12_A | | 1 | 01h | 01h | 01h | 01h | 01h |
| | TA0.CCIFG0 | | 1 | 60h | 60h | 60h | 60h | 60h |
| | TA0.CCIFG1..4 | | 1 | 61h | 61h | 61h | 61h | 61h |
| | USB | | 1 | 98h | 98h | 98h | 98h | 98h |
| | DMA | | 1 | 46h | 46h | 46h | 46h | 46h |
| | TA1.CCIFG0 | | 1 | 62h | 62h | 62h | 62h | 62h |
| | TA1.CCIFG1..2 | | 1 | 63h | 63h | 63h | 63h | 63h |
| | P1 | | 1 | 50h | 50h | 50h | 50h | 50h |

Table 6-63. MSP430F551x Device Descriptor Table⁽¹⁾ (continued)

| | DESCRIPTION | ADDRESS | SIZE (bytes) | VALUE | | | | |
|--|---------------|---------|-----------------|-------|-------|-------|-------|-------|
| | | | | F5519 | F5517 | F5515 | F5514 | F5513 |
| | USCI_A1 | | 1 | 92h | 92h | 92h | 92h | 92h |
| | USCI_B1 | | 1 | 93h | 93h | 93h | 93h | 93h |
| | TA1.CCIFG0 | | 1 | 66h | 66h | 66h | 66h | 66h |
| | TA1.CCIFG1..2 | | 1 | 67h | 67h | 67h | 67h | 67h |
| | P2 | | 1 | 51h | 51h | 51h | 51h | 51h |
| | RTC_A | | 1 | 68h | 68h | 68h | 68h | 68h |
| | delimiter | | 1 | 00h | 00h | 00h | 00h | 00h |

7 Device and Documentation Support

7.1 Device Support

7.1.1 Getting Started and Next Steps

For an introduction to the MSP430™ family of devices and the tools and libraries that are available to help with your development, visit the [Getting Started page](#).

7.1.2 Development Tools Support

All MSP microcontrollers are supported by a wide variety of software and hardware development tools. Tools are available from TI and various third parties. See them all at [MSP Tools](#).

7.1.2.1 Hardware Features

See the *Code Composer Studio for MSP430 User's Guide (SLAU157)* for details on the available features.

| MSP430 ARCHITECTURE | 4-WIRE JTAG | 2-WIRE JTAG | BREAK-POINTS (N) | RANGE BREAK-POINTS | CLOCK CONTROL | STATE SEQUENCER | TRACE BUFFER | LPMx.5 DEBUGGING SUPPORT |
|---------------------|-------------|-------------|------------------|--------------------|---------------|-----------------|--------------|--------------------------|
| MSP430Xv2 | Yes | Yes | 8 | Yes | Yes | Yes | Yes | No |

7.1.2.2 Recommended Hardware Options

7.1.2.2.1 Target Socket Boards

The target socket boards allow easy programming and debugging of the device using JTAG. They also feature header pin outs for prototyping. Target socket boards are orderable individually or as a kit with the JTAG programmer and debugger included. The following table shows the compatible target boards and the supported packages.

| PACKAGE | TARGET BOARD AND PROGRAMMER BUNDLE | TARGET BOARD ONLY |
|-------------------|------------------------------------|-----------------------------------|
| 64-pin VQFN (RGC) | MSP-FET430U64USB | MSP-TS430RGC64USB |
| 80-pin LQFP (PN) | MSP-FET430U80USB | MSP-TS430PN80USB |

7.1.2.2.2 Experimenter Boards

Experimenter Boards and Evaluation kits are available for some MSP devices. These kits feature additional hardware components and connectivity for full system evaluation and prototyping. See [MSP Tools](#) for details.

7.1.2.2.3 Debugging and Programming Tools

Hardware programming and debugging tools are available from TI and from its third party suppliers. See the full list of available tools at [MSP Tools](#).

7.1.2.2.4 Production Programmers

The production programmers expedite loading firmware to devices by programming several devices simultaneously.

| PART NUMBER | PC PORT | FEATURES | PROVIDER |
|--------------------------|----------------|---|-------------------|
| MSP-GANG | Serial and USB | Program up to eight devices at a time. Works with PC or as a stand-alone package. | Texas Instruments |

7.1.2.3 Recommended Software Options

7.1.2.3.1 Integrated Development Environments

Software development tools are available from TI or from third parties. Open source solutions are also available.

This device is supported by Code Composer Studio™ IDE (CCS).

7.1.2.3.2 MSPWare

[MSPWare](#) is a collection of code examples, data sheets, and other design resources for all MSP devices delivered in a convenient package. In addition to providing a complete collection of existing MSP design resources, MSPWare also includes a high-level API called MSP Driver Library. This library makes it easy to program MSP hardware. MSPWare is available as a component of CCS or as a stand-alone package.

7.1.2.3.3 TI-RTOS

[TI-RTOS](#) is an advanced real-time operating system for the MSP microcontrollers. It features preemptive deterministic multi-tasking, hardware abstraction, memory management, and real-time analysis. TI-RTOS is available free of charge and is provided with full source code.

7.1.2.3.4 MSP430 USB Developer's Package

[MSP430 USB Developer's Package](#) is an easy-to-use USB stack implementation for the MSP microcontrollers.

7.1.2.3.5 Command-Line Programmer

[MSP Flasher](#) is an open-source, shell-based interface for programming MSP microcontrollers through a FET programmer or eZ430 using JTAG or Spy-Bi-Wire (SBW) communication. MSP430 Flasher can be used to download binary files (.txt or .hex) files directly to the MSP430 Flash without the need for an IDE.

7.1.3 Device and Development Tool Nomenclature

To designate the stages in the product development cycle, TI assigns prefixes to the part numbers of all MSP430 MCU devices and support tools. Each MSP430 MCU commercial family member has one of three prefixes: MSP, PMS, or XMS (for example, MSP430F5438A). TI recommends two of three possible prefix designators for its support tools: MSP and MSPX. These prefixes represent evolutionary stages of product development from engineering prototypes (with XMS for devices and MSPX for tools) through fully qualified production devices and tools (with MSP for devices and MSP for tools).

Device development evolutionary flow:

XMS – Experimental device that is not necessarily representative of the electrical specifications for the final device

PMS – Final silicon die that conforms to the electrical specifications for the device but has not completed quality and reliability verification

MSP – Fully qualified production device

Support tool development evolutionary flow:

MSPX – Development-support product that has not yet completed TI's internal qualification testing.

MSP – Fully-qualified development-support product

XMS and PMS devices and MSPX development-support tools are shipped against the following disclaimer:

"Developmental product is intended for internal evaluation purposes."

MSP devices and MSP development-support tools have been characterized fully, and the quality and reliability of the device have been demonstrated fully. TI's standard warranty applies.

Predictions show that prototype devices (XMS and PMS) have a greater failure rate than the standard production devices. TI recommends that these devices not be used in any production system because their expected end-use failure rate still is undefined. Only qualified production devices are to be used.

TI device nomenclature also includes a suffix with the device family name. This suffix indicates the package type (for example, PZP) and temperature range (for example, T). [Figure 7-1](#) provides a legend for reading the complete device name for any family member.

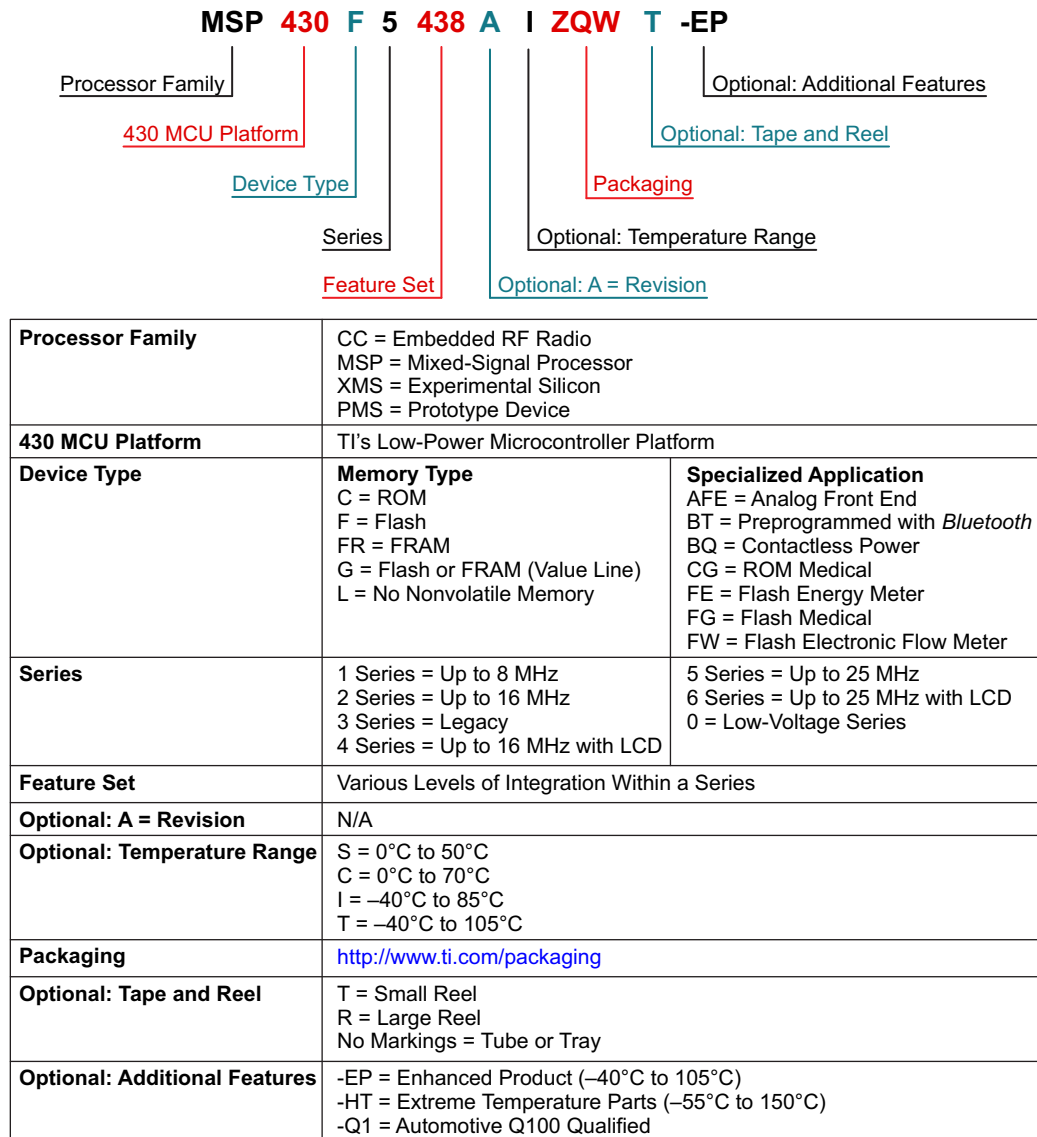


Figure 7-1. Device Nomenclature

7.2 Documentation Support

The following documents describe the MSP430F552x and MSP430F551x devices. Copies of these documents are available on the Internet at www.ti.com.

- SLAU208** *MSP430x5xx and MSP430x6xx Family User's Guide.* Detailed information on the modules and peripherals available in this device family.
- SLAZ314** *MSP430F5529 Device Erratasheet.* Describes the known exceptions to the functional specifications for all silicon revisions of the device.
- SLAZ313** *MSP430F5528 Device Erratasheet.* Describes the known exceptions to the functional specifications for all silicon revisions of the device.
- SLAZ312** *MSP430F5527 Device Erratasheet.* Describes the known exceptions to the functional specifications for all silicon revisions of the device.
- SLAZ311** *MSP430F5526 Device Erratasheet.* Describes the known exceptions to the functional specifications for all silicon revisions of the device.
- SLAZ310** *MSP430F5525 Device Erratasheet.* Describes the known exceptions to the functional specifications for all silicon revisions of the device.
- SLAZ309** *MSP430F5524 Device Erratasheet.* Describes the known exceptions to the functional specifications for all silicon revisions of the device.
- SLAZ308** *MSP430F5522 Device Erratasheet.* Describes the known exceptions to the functional specifications for all silicon revisions of the device.
- SLAZ307** *MSP430F5521 Device Erratasheet.* Describes the known exceptions to the functional specifications for all silicon revisions of the device.
- SLAZ306** *MSP430F5519 Device Erratasheet.* Describes the known exceptions to the functional specifications for all silicon revisions of the device.
- SLAZ305** *MSP430F5517 Device Erratasheet.* Describes the known exceptions to the functional specifications for all silicon revisions of the device.
- SLAZ304** *MSP430F5515 Device Erratasheet.* Describes the known exceptions to the functional specifications for all silicon revisions of the device.
- SLAZ303** *MSP430F5514 Device Erratasheet.* Describes the known exceptions to the functional specifications for all silicon revisions of the device.
- SLAZ302** *MSP430F5513 Device Erratasheet.* Describes the known exceptions to the functional specifications for all silicon revisions of the device.

7.3 Related Links

[Table 7-1](#) lists quick access links. Categories include technical documents, support and community resources, tools and software, and quick access to sample or buy.

Table 7-1. Related Links

| PARTS | PRODUCT FOLDER | SAMPLE & BUY | TECHNICAL DOCUMENTS | TOOLS & SOFTWARE | SUPPORT & COMMUNITY |
|-------------|----------------------------|----------------------------|----------------------------|----------------------------|----------------------------|
| MSP430F5529 | Click here | Click here | Click here | Click here | Click here |
| MSP430F5528 | Click here | Click here | Click here | Click here | Click here |
| MSP430F5527 | Click here | Click here | Click here | Click here | Click here |
| MSP430F5526 | Click here | Click here | Click here | Click here | Click here |
| MSP430F5525 | Click here | Click here | Click here | Click here | Click here |
| MSP430F5524 | Click here | Click here | Click here | Click here | Click here |
| MSP430F5522 | Click here | Click here | Click here | Click here | Click here |
| MSP430F5521 | Click here | Click here | Click here | Click here | Click here |
| MSP430F5519 | Click here | Click here | Click here | Click here | Click here |
| MSP430F5517 | Click here | Click here | Click here | Click here | Click here |
| MSP430F5515 | Click here | Click here | Click here | Click here | Click here |
| MSP430F5514 | Click here | Click here | Click here | Click here | Click here |
| MSP430F5513 | Click here | Click here | Click here | Click here | Click here |

7.4 Community Resources

The following links connect to TI community resources. Linked contents are provided "AS IS" by the respective contributors. They do not constitute TI specifications and do not necessarily reflect TI's views; see TI's [Terms of Use](#).

[TI E2E™ Community](#)

TI's Engineer-to-Engineer (E2E) Community. Created to foster collaboration among engineers. At e2e.ti.com, you can ask questions, share knowledge, explore ideas, and help solve problems with fellow engineers.

[TI Embedded Processors Wiki](#)

Texas Instruments Embedded Processors Wiki. Established to help developers get started with embedded processors from Texas Instruments and to foster innovation and growth of general knowledge about the hardware and software surrounding these devices.

7.5 Trademarks

MSP430, MicroStar Junior, Code Composer Studio, E2E are trademarks of Texas Instruments.

7.6 Electrostatic Discharge Caution



This integrated circuit can be damaged by ESD. Texas Instruments recommends that all integrated circuits be handled with appropriate precautions. Failure to observe proper handling and installation procedures can cause damage.

ESD damage can range from subtle performance degradation to complete device failure. Precision integrated circuits may be more susceptible to damage because very small parametric changes could cause the device not to meet its published specifications.

7.7 Glossary

[TI Glossary](#) This glossary lists and explains terms, acronyms, and definitions.

8 Mechanical, Packaging, and Orderable Information

The following pages include mechanical, packaging, and orderable information. This information is the most current data available for the designated devices. This data is subject to change without notice and revision of this document. For browser-based versions of this data sheet, refer to the left-hand navigation.

PACKAGING INFORMATION

| Orderable Device | Status (1) | Package Type | Package Drawing | Pins | Package Qty | Eco Plan (2) | Lead/Ball Finish (6) | MSL Peak Temp (3) | Op Temp (°C) | Device Marking (4/5) | Samples |
|------------------|---------------|----------------------------|--------------------|------|----------------|----------------------------|-------------------------|----------------------|--------------|-------------------------|-------------------------|
| MSP430F5513IRGCR | ACTIVE | VQFN | RGC | 64 | 2000 | Green (RoHS & no Sb/Br) | CU NIPDAU | Level-3-260C-168 HR | -40 to 85 | M430F5513 | Samples |
| MSP430F5513IZQE | ACTIVE | BGA MICROSTAR JUNIOR | ZQE | 80 | 360 | Green (RoHS & no Sb/Br) | SNAGCU | Level-3-260C-168 HR | -40 to 85 | M430F5513 | Samples |
| MSP430F5513IZQER | ACTIVE | BGA MICROSTAR JUNIOR | ZQE | 80 | 2500 | Green (RoHS & no Sb/Br) | SNAGCU | Level-3-260C-168 HR | -40 to 85 | M430F5513 | Samples |
| MSP430F5514IRGCR | ACTIVE | VQFN | RGC | 64 | 2000 | Green (RoHS & no Sb/Br) | CU NIPDAU | Level-3-260C-168 HR | -40 to 85 | M430F5514 | Samples |
| MSP430F5514IRGCT | ACTIVE | VQFN | RGC | 64 | 250 | Green (RoHS & no Sb/Br) | CU NIPDAU | Level-3-260C-168 HR | -40 to 85 | M430F5514 | Samples |
| MSP430F5514IZQE | ACTIVE | BGA MICROSTAR JUNIOR | ZQE | 80 | 360 | Green (RoHS & no Sb/Br) | SNAGCU | Level-3-260C-168 HR | -40 to 85 | M430F5514 | Samples |
| MSP430F5514IZQER | ACTIVE | BGA MICROSTAR JUNIOR | ZQE | 80 | 2500 | Green (RoHS & no Sb/Br) | SNAGCU | Level-3-260C-168 HR | -40 to 85 | M430F5514 | Samples |
| MSP430F5515IPN | ACTIVE | LQFP | PN | 80 | 119 | Green (RoHS & no Sb/Br) | CU NIPDAU | Level-3-260C-168 HR | -40 to 85 | M430F5515 | Samples |
| MSP430F5515IPNR | ACTIVE | LQFP | PN | 80 | 1000 | Green (RoHS & no Sb/Br) | CU NIPDAU | Level-3-260C-168 HR | -40 to 85 | M430F5515 | Samples |
| MSP430F5517IPN | ACTIVE | LQFP | PN | 80 | 119 | Green (RoHS & no Sb/Br) | CU NIPDAU | Level-3-260C-168 HR | -40 to 85 | M430F5517 | Samples |
| MSP430F5517IPNR | ACTIVE | LQFP | PN | 80 | 1000 | Green (RoHS & no Sb/Br) | CU NIPDAU | Level-3-260C-168 HR | -40 to 85 | M430F5517 | Samples |
| MSP430F5519IPN | ACTIVE | LQFP | PN | 80 | 119 | Green (RoHS & no Sb/Br) | CU NIPDAU | Level-3-260C-168 HR | -40 to 85 | M430F5519 | Samples |
| MSP430F5519IPNR | ACTIVE | LQFP | PN | 80 | 1000 | Green (RoHS & no Sb/Br) | CU NIPDAU | Level-3-260C-168 HR | -40 to 85 | M430F5519 | Samples |
| MSP430F5521IPN | ACTIVE | LQFP | PN | 80 | 119 | Green (RoHS & no Sb/Br) | CU NIPDAU | Level-3-260C-168 HR | -40 to 85 | M430F5521 | Samples |
| MSP430F5521IPNR | ACTIVE | LQFP | PN | 80 | 1000 | Green (RoHS & no Sb/Br) | CU NIPDAU | Level-3-260C-168 HR | -40 to 85 | M430F5521 | Samples |

| Orderable Device | Status (1) | Package Type | Package Drawing | Pins | Package Qty | Eco Plan (2) | Lead/Ball Finish (6) | MSL Peak Temp (3) | Op Temp (°C) | Device Marking (4/5) | Samples |
|------------------|---------------|----------------------|-----------------|------|-------------|-------------------------|-------------------------|----------------------|--------------|-------------------------|-------------------------|
| MSP430F5522IRGCR | ACTIVE | VQFN | RGC | 64 | 2000 | Green (RoHS & no Sb/Br) | CU NIPDAU | Level-3-260C-168 HR | -40 to 85 | M430F5522 | Samples |
| MSP430F5522IRGCT | ACTIVE | VQFN | RGC | 64 | 250 | Green (RoHS & no Sb/Br) | CU NIPDAU | Level-3-260C-168 HR | -40 to 85 | M430F5522 | Samples |
| MSP430F5522IZQE | ACTIVE | BGA MICROSTAR JUNIOR | ZQE | 80 | 360 | Green (RoHS & no Sb/Br) | SNAGCU | Level-3-260C-168 HR | -40 to 85 | M430F5522 | Samples |
| MSP430F5522IZQER | ACTIVE | BGA MICROSTAR JUNIOR | ZQE | 80 | 2500 | Green (RoHS & no Sb/Br) | SNAGCU | Level-3-260C-168 HR | -40 to 85 | M430F5522 | Samples |
| MSP430F5524IRGCR | ACTIVE | VQFN | RGC | 64 | 2000 | Green (RoHS & no Sb/Br) | CU NIPDAU | Level-3-260C-168 HR | -40 to 85 | M430F5524 | Samples |
| MSP430F5524IRGCT | ACTIVE | VQFN | RGC | 64 | 250 | Green (RoHS & no Sb/Br) | CU NIPDAU | Level-3-260C-168 HR | -40 to 85 | M430F5524 | Samples |
| MSP430F5524IYFFR | ACTIVE | DSBGA | YFF | 64 | 2500 | Green (RoHS & no Sb/Br) | SNAGCU | Level-1-260C-UNLIM | | M430F5524 | Samples |
| MSP430F5524IZQE | ACTIVE | BGA MICROSTAR JUNIOR | ZQE | 80 | 360 | Green (RoHS & no Sb/Br) | SNAGCU | Level-3-260C-168 HR | -40 to 85 | M430F5524 | Samples |
| MSP430F5524IZQER | ACTIVE | BGA MICROSTAR JUNIOR | ZQE | 80 | 2500 | Green (RoHS & no Sb/Br) | SNAGCU | Level-3-260C-168 HR | -40 to 85 | M430F5524 | Samples |
| MSP430F5525IPN | ACTIVE | LQFP | PN | 80 | 119 | Green (RoHS & no Sb/Br) | CU NIPDAU | Level-3-260C-168 HR | -40 to 85 | M430F5525 | Samples |
| MSP430F5525IPNR | ACTIVE | LQFP | PN | 80 | 1000 | Green (RoHS & no Sb/Br) | CU NIPDAU | Level-3-260C-168 HR | -40 to 85 | M430F5525 | Samples |
| MSP430F5526IRGCR | ACTIVE | VQFN | RGC | 64 | 2000 | Green (RoHS & no Sb/Br) | CU NIPDAU | Level-3-260C-168 HR | -40 to 85 | M430F5526 | Samples |
| MSP430F5526IRGCT | ACTIVE | VQFN | RGC | 64 | 250 | Green (RoHS & no Sb/Br) | CU NIPDAU | Level-3-260C-168 HR | -40 to 85 | M430F5526 | Samples |
| MSP430F5526IYFFR | ACTIVE | DSBGA | YFF | 64 | 2500 | Green (RoHS & no Sb/Br) | SNAGCU | Level-1-260C-UNLIM | | M430F5526 | Samples |
| MSP430F5526IZQE | ACTIVE | BGA MICROSTAR JUNIOR | ZQE | 80 | 360 | Green (RoHS & no Sb/Br) | SNAGCU | Level-3-260C-168 HR | -40 to 85 | M430F5526 | Samples |

| Orderable Device | Status (1) | Package Type | Package Drawing | Pins | Package Qty | Eco Plan (2) | Lead/Ball Finish (6) | MSL Peak Temp (3) | Op Temp (°C) | Device Marking (4/5) | Samples |
|------------------|---------------|----------------------------|-----------------|------|-------------|----------------------------|-------------------------|----------------------|--------------|-------------------------|-------------------------|
| MSP430F5526IZQER | ACTIVE | BGA MICROSTAR JUNIOR | ZQE | 80 | 2500 | Green (RoHS & no Sb/Br) | SNAGCU | Level-3-260C-168 HR | -40 to 85 | M430F5526 | Samples |
| MSP430F5527IPN | ACTIVE | LQFP | PN | 80 | 119 | Green (RoHS & no Sb/Br) | CU NIPDAU | Level-3-260C-168 HR | -40 to 85 | M430F5527 | Samples |
| MSP430F5527IPNR | ACTIVE | LQFP | PN | 80 | 1000 | Green (RoHS & no Sb/Br) | CU NIPDAU | Level-3-260C-168 HR | -40 to 85 | M430F5527 | Samples |
| MSP430F5528IRGCR | ACTIVE | VQFN | RGC | 64 | 2000 | Green (RoHS & no Sb/Br) | CU NIPDAU | Level-3-260C-168 HR | -40 to 85 | M430F5528 | Samples |
| MSP430F5528IRGCT | ACTIVE | VQFN | RGC | 64 | 250 | Green (RoHS & no Sb/Br) | CU NIPDAU | Level-3-260C-168 HR | -40 to 85 | M430F5528 | Samples |
| MSP430F5528IYFFR | ACTIVE | DSBGA | YFF | 64 | 2500 | Green (RoHS & no Sb/Br) | SNAGCU | Level-1-260C-UNLIM | -40 to 85 | M430F5528 | Samples |
| MSP430F5528IZQE | ACTIVE | BGA MICROSTAR JUNIOR | ZQE | 80 | 360 | Green (RoHS & no Sb/Br) | SNAGCU | Level-3-260C-168 HR | -40 to 85 | M430F5528 | Samples |
| MSP430F5528IZQER | ACTIVE | BGA MICROSTAR JUNIOR | ZQE | 80 | 2500 | Green (RoHS & no Sb/Br) | SNAGCU | Level-3-260C-168 HR | -40 to 85 | M430F5528 | Samples |
| MSP430F5529IPN | ACTIVE | LQFP | PN | 80 | 119 | Green (RoHS & no Sb/Br) | CU NIPDAU | Level-3-260C-168 HR | -40 to 85 | M430F5529 | Samples |
| MSP430F5529IPNR | ACTIVE | LQFP | PN | 80 | 1000 | Green (RoHS & no Sb/Br) | CU NIPDAU | Level-3-260C-168 HR | -40 to 85 | M430F5529 | Samples |

(1) The marketing status values are defined as follows:

ACTIVE: Product device recommended for new designs.

LIFEBUY: TI has announced that the device will be discontinued, and a lifetime-buy period is in effect.

NRND: Not recommended for new designs. Device is in production to support existing customers, but TI does not recommend using this part in a new design.

PREVIEW: Device has been announced but is not in production. Samples may or may not be available.

OBSOLETE: TI has discontinued the production of the device.

(2) Eco Plan - The planned eco-friendly classification: Pb-Free (RoHS), Pb-Free (RoHS Exempt), or Green (RoHS & no Sb/Br) - please check <http://www.ti.com/productcontent> for the latest availability information and additional product content details.

TBD: The Pb-Free/Green conversion plan has not been defined.

Pb-Free (RoHS): TI's terms "Lead-Free" or "Pb-Free" mean semiconductor products that are compatible with the current RoHS requirements for all 6 substances, including the requirement that lead not exceed 0.1% by weight in homogeneous materials. Where designed to be soldered at high temperatures, TI Pb-Free products are suitable for use in specified lead-free processes.

Pb-Free (RoHS Exempt): This component has a RoHS exemption for either 1) lead-based flip-chip solder bumps used between the die and package, or 2) lead-based die adhesive used between the die and leadframe. The component is otherwise considered Pb-Free (RoHS compatible) as defined above.

Green (RoHS & no Sb/Br): TI defines "Green" to mean Pb-Free (RoHS compatible), and free of Bromine (Br) and Antimony (Sb) based flame retardants (Br or Sb do not exceed 0.1% by weight in homogeneous material)

(3) MSL, Peak Temp. - The Moisture Sensitivity Level rating according to the JEDEC industry standard classifications, and peak solder temperature.

(4) There may be additional marking, which relates to the logo, the lot trace code information, or the environmental category on the device.

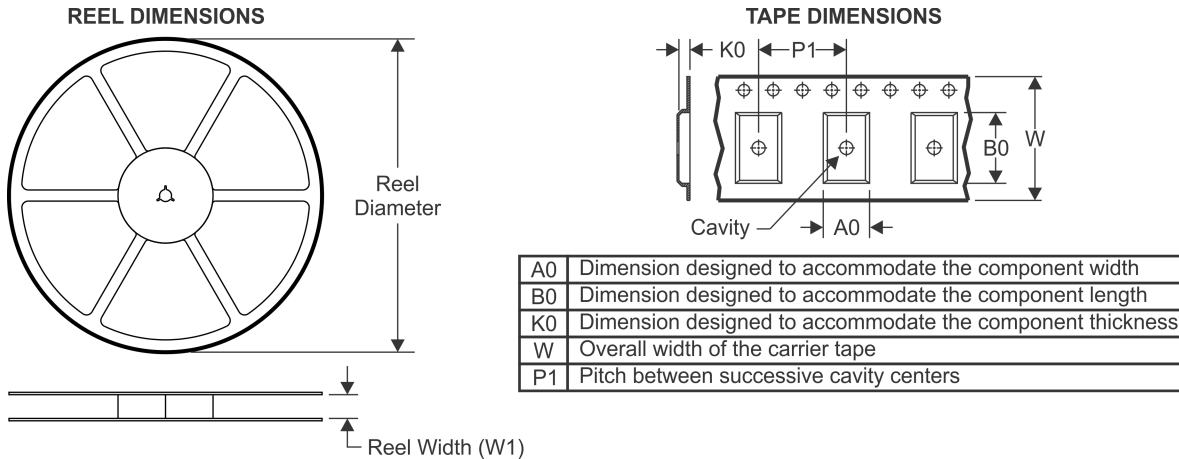
(5) Multiple Device Markings will be inside parentheses. Only one Device Marking contained in parentheses and separated by a "~" will appear on a device. If a line is indented then it is a continuation of the previous line and the two combined represent the entire Device Marking for that device.

(6) Lead/Ball Finish - Orderable Devices may have multiple material finish options. Finish options are separated by a vertical ruled line. Lead/Ball Finish values may wrap to two lines if the finish value exceeds the maximum column width.

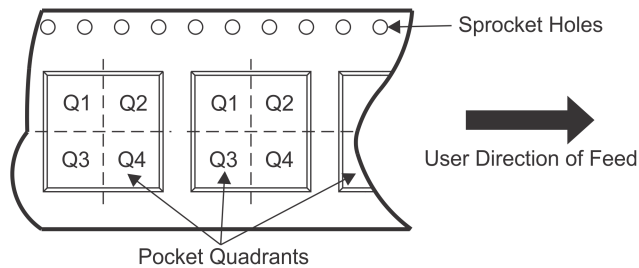
Important Information and Disclaimer: The information provided on this page represents TI's knowledge and belief as of the date that it is provided. TI bases its knowledge and belief on information provided by third parties, and makes no representation or warranty as to the accuracy of such information. Efforts are underway to better integrate information from third parties. TI has taken and continues to take reasonable steps to provide representative and accurate information but may not have conducted destructive testing or chemical analysis on incoming materials and chemicals. TI and TI suppliers consider certain information to be proprietary, and thus CAS numbers and other limited information may not be available for release.

In no event shall TI's liability arising out of such information exceed the total purchase price of the TI part(s) at issue in this document sold by TI to Customer on an annual basis.

TAPE AND REEL INFORMATION



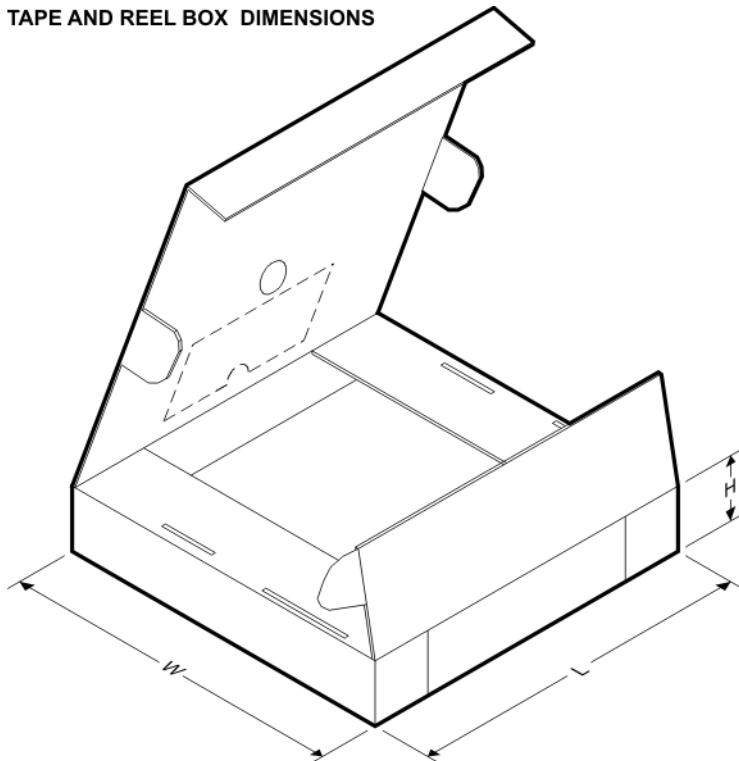
QUADRANT ASSIGNMENTS FOR PIN 1 ORIENTATION IN TAPE



*All dimensions are nominal

| Device | Package Type | Package Drawing | Pins | SPQ | Reel Diameter (mm) | Reel Width W1 (mm) | A0 (mm) | B0 (mm) | K0 (mm) | P1 (mm) | W (mm) | Pin1 Quadrant |
|------------------|----------------------|-----------------|------|------|--------------------|--------------------|---------|---------|---------|---------|--------|---------------|
| MSP430F5513IRGCR | VQFN | RGC | 64 | 2000 | 330.0 | 16.4 | 9.3 | 9.3 | 1.5 | 12.0 | 16.0 | Q2 |
| MSP430F5513IZQER | BGA MICROSTAR JUNIOR | ZQE | 80 | 2500 | 330.0 | 12.4 | 5.3 | 5.3 | 1.5 | 8.0 | 12.0 | Q1 |
| MSP430F5514IRGCT | VQFN | RGC | 64 | 250 | 180.0 | 16.4 | 9.3 | 9.3 | 1.5 | 12.0 | 16.0 | Q2 |
| MSP430F5514IZQER | BGA MICROSTAR JUNIOR | ZQE | 80 | 2500 | 330.0 | 12.4 | 5.3 | 5.3 | 1.5 | 8.0 | 12.0 | Q1 |
| MSP430F5515IPNR | LQFP | PN | 80 | 1000 | 330.0 | 24.4 | 15.0 | 15.0 | 2.1 | 20.0 | 24.0 | Q2 |
| MSP430F5517IPNR | LQFP | PN | 80 | 1000 | 330.0 | 24.4 | 15.0 | 15.0 | 2.1 | 20.0 | 24.0 | Q2 |
| MSP430F5519IPNR | LQFP | PN | 80 | 1000 | 330.0 | 24.4 | 15.0 | 15.0 | 2.1 | 20.0 | 24.0 | Q2 |
| MSP430F5521IPNR | LQFP | PN | 80 | 1000 | 330.0 | 24.4 | 15.0 | 15.0 | 2.1 | 20.0 | 24.0 | Q2 |
| MSP430F5522IRGCT | VQFN | RGC | 64 | 250 | 180.0 | 16.4 | 9.3 | 9.3 | 1.5 | 12.0 | 16.0 | Q2 |
| MSP430F5522IZQER | BGA MICROSTAR JUNIOR | ZQE | 80 | 2500 | 330.0 | 12.4 | 5.3 | 5.3 | 1.5 | 8.0 | 12.0 | Q1 |
| MSP430F5524IRGCT | VQFN | RGC | 64 | 250 | 180.0 | 16.4 | 9.3 | 9.3 | 1.5 | 12.0 | 16.0 | Q2 |
| MSP430F5524IYFFR | DSBGA | YFF | 64 | 2500 | 330.0 | 12.4 | 3.86 | 3.86 | 0.69 | 8.0 | 12.0 | Q2 |

| Device | Package Type | Package Drawing | Pins | SPQ | Reel Diameter (mm) | Reel Width W1 (mm) | A0 (mm) | B0 (mm) | K0 (mm) | P1 (mm) | W (mm) | Pin1 Quadrant |
|------------------|----------------------|-----------------|------|------|--------------------|--------------------|---------|---------|---------|---------|--------|---------------|
| MSP430F5524IZQER | BGA MICROSTAR JUNIOR | ZQE | 80 | 2500 | 330.0 | 12.4 | 5.3 | 5.3 | 1.5 | 8.0 | 12.0 | Q1 |
| MSP430F5525IPNR | LQFP | PN | 80 | 1000 | 330.0 | 24.4 | 15.0 | 15.0 | 2.1 | 20.0 | 24.0 | Q2 |
| MSP430F5526IRGCR | VQFN | RGC | 64 | 2000 | 330.0 | 16.4 | 9.3 | 9.3 | 1.5 | 12.0 | 16.0 | Q2 |
| MSP430F5526IRGCT | VQFN | RGC | 64 | 250 | 180.0 | 16.4 | 9.3 | 9.3 | 1.5 | 12.0 | 16.0 | Q2 |
| MSP430F5526IYFFR | DSBGA | YFF | 64 | 2500 | 330.0 | 12.4 | 3.86 | 3.86 | 0.69 | 8.0 | 12.0 | Q2 |
| MSP430F5526IZQER | BGA MICROSTAR JUNIOR | ZQE | 80 | 2500 | 330.0 | 12.4 | 5.3 | 5.3 | 1.5 | 8.0 | 12.0 | Q1 |
| MSP430F5527IPNR | LQFP | PN | 80 | 1000 | 330.0 | 24.4 | 15.0 | 15.0 | 2.1 | 20.0 | 24.0 | Q2 |
| MSP430F5528IRGCT | VQFN | RGC | 64 | 250 | 180.0 | 16.4 | 9.3 | 9.3 | 1.5 | 12.0 | 16.0 | Q2 |
| MSP430F5528IYFFR | DSBGA | YFF | 64 | 2500 | 330.0 | 12.4 | 3.86 | 3.86 | 0.69 | 8.0 | 12.0 | Q2 |
| MSP430F5528IZQER | BGA MICROSTAR JUNIOR | ZQE | 80 | 2500 | 330.0 | 12.4 | 5.3 | 5.3 | 1.5 | 8.0 | 12.0 | Q1 |
| MSP430F5529IPNR | LQFP | PN | 80 | 1000 | 330.0 | 24.4 | 15.0 | 15.0 | 2.1 | 20.0 | 24.0 | Q2 |

TAPE AND REEL BOX DIMENSIONS


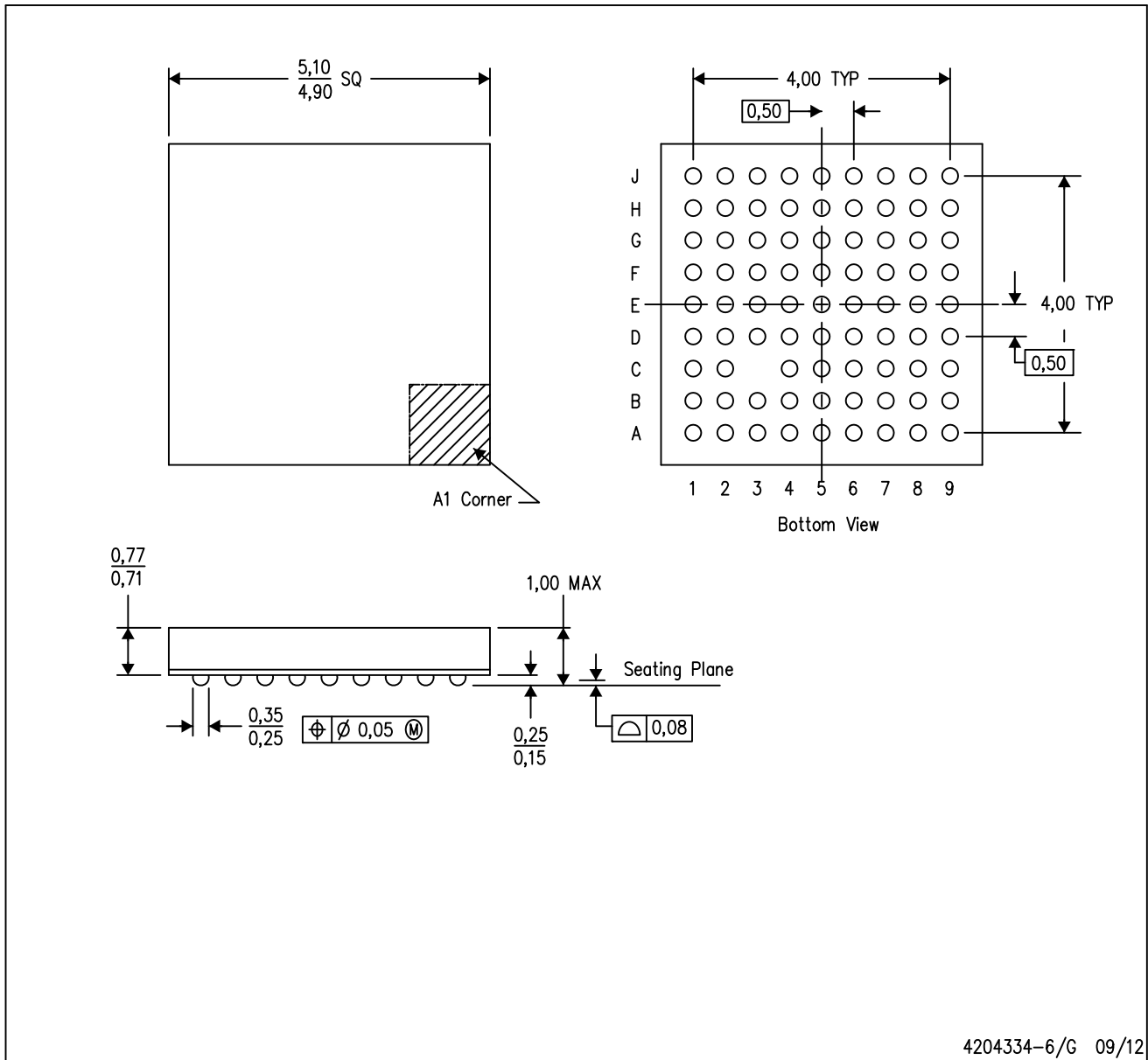
*All dimensions are nominal

| Device | Package Type | Package Drawing | Pins | SPQ | Length (mm) | Width (mm) | Height (mm) |
|------------------|----------------------|-----------------|------|------|-------------|------------|-------------|
| MSP430F5513IRGCR | VQFN | RGC | 64 | 2000 | 367.0 | 367.0 | 38.0 |
| MSP430F5513IZQER | BGA MICROSTAR JUNIOR | ZQE | 80 | 2500 | 338.1 | 338.1 | 20.6 |
| MSP430F5514IRGCT | VQFN | RGC | 64 | 250 | 210.0 | 185.0 | 35.0 |
| MSP430F5514IZQER | BGA MICROSTAR JUNIOR | ZQE | 80 | 2500 | 338.1 | 338.1 | 20.6 |
| MSP430F5515IPNR | LQFP | PN | 80 | 1000 | 367.0 | 367.0 | 45.0 |
| MSP430F5517IPNR | LQFP | PN | 80 | 1000 | 367.0 | 367.0 | 45.0 |
| MSP430F5519IPNR | LQFP | PN | 80 | 1000 | 367.0 | 367.0 | 45.0 |
| MSP430F5521IPNR | LQFP | PN | 80 | 1000 | 367.0 | 367.0 | 45.0 |
| MSP430F5522IRGCT | VQFN | RGC | 64 | 250 | 210.0 | 185.0 | 35.0 |
| MSP430F5522IZQER | BGA MICROSTAR JUNIOR | ZQE | 80 | 2500 | 338.1 | 338.1 | 20.6 |
| MSP430F5524IRGCT | VQFN | RGC | 64 | 250 | 210.0 | 185.0 | 35.0 |
| MSP430F5524IYFFR | DSBGA | YFF | 64 | 2500 | 367.0 | 367.0 | 35.0 |
| MSP430F5524IZQER | BGA MICROSTAR JUNIOR | ZQE | 80 | 2500 | 338.1 | 338.1 | 20.6 |
| MSP430F5525IPNR | LQFP | PN | 80 | 1000 | 367.0 | 367.0 | 45.0 |
| MSP430F5526IRGCR | VQFN | RGC | 64 | 2000 | 367.0 | 367.0 | 38.0 |
| MSP430F5526IRGCT | VQFN | RGC | 64 | 250 | 210.0 | 185.0 | 35.0 |
| MSP430F5526IYFFR | DSBGA | YFF | 64 | 2500 | 367.0 | 367.0 | 35.0 |
| MSP430F5526IZQER | BGA MICROSTAR JUNIOR | ZQE | 80 | 2500 | 338.1 | 338.1 | 20.6 |
| MSP430F5527IPNR | LQFP | PN | 80 | 1000 | 367.0 | 367.0 | 45.0 |
| MSP430F5528IRGCT | VQFN | RGC | 64 | 250 | 210.0 | 185.0 | 35.0 |
| MSP430F5528IYFFR | DSBGA | YFF | 64 | 2500 | 367.0 | 367.0 | 35.0 |
| MSP430F5528IZQER | BGA MICROSTAR JUNIOR | ZQE | 80 | 2500 | 338.1 | 338.1 | 20.6 |
| MSP430F5529IPNR | LQFP | PN | 80 | 1000 | 367.0 | 367.0 | 45.0 |

MECHANICAL DATA

ZQE (S-PBGA-N80)

PLASTIC BALL GRID ARRAY

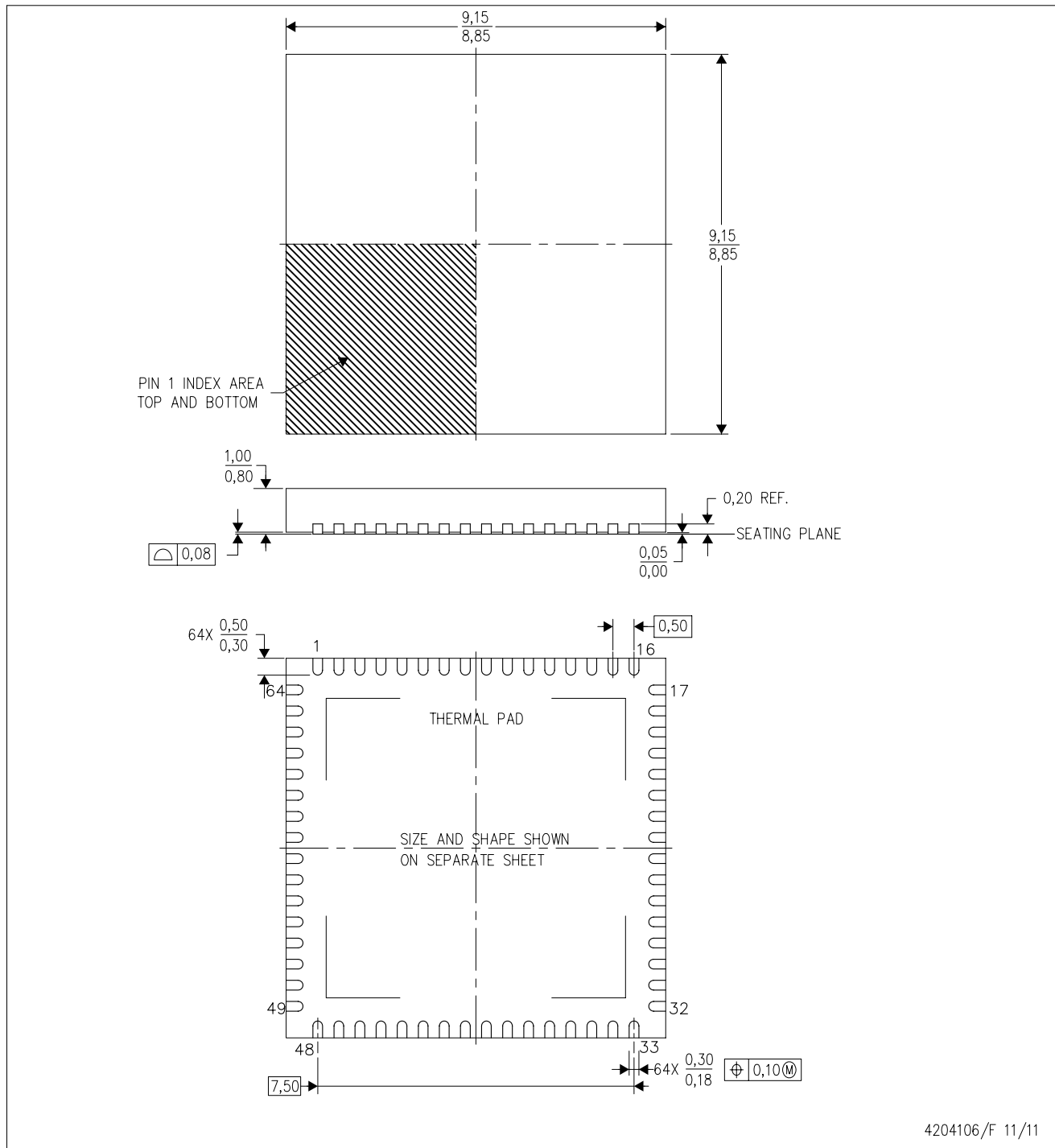


- NOTES:
- All linear dimensions are in millimeters. Dimensioning and tolerancing per ASME Y14.5M-1994.
 - This drawing is subject to change without notice.
 - Falls within JEDEC MO-225
 - This is a Pb-free solder ball design.

MicroStar Junior is a trademark of Texas Instruments.

MECHANICAL DATA

RGC(S-PVQFN-N64) CUSTOM DEVICE PLASTIC QUAD FLATPACK NO-LEAD



- NOTES:
- All linear dimensions are in millimeters. Dimensioning and tolerancing per ASME Y14.5-1994.
 - This drawing is subject to change without notice.
 - Quad Flatpack, No-leads (QFN) package configuration.
 - The package thermal pad must be soldered to the board for thermal and mechanical performance.
 - See the additional figure in the Product Data Sheet for details regarding the exposed thermal pad features and dimensions.

THERMAL PAD MECHANICAL DATA

RGC (S-PVQFN-N64)

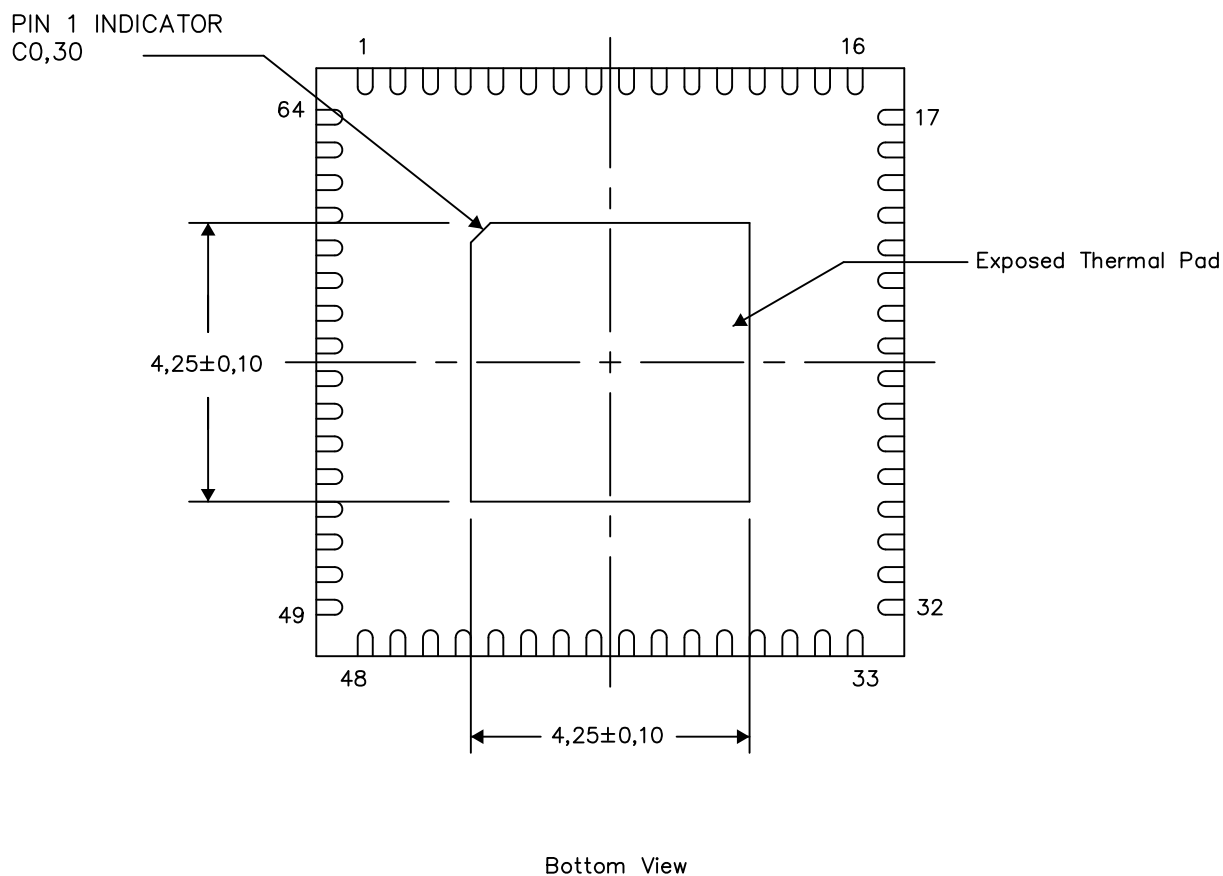
PLASTIC QUAD FLATPACK NO-LEAD

THERMAL INFORMATION

This package incorporates an exposed thermal pad that is designed to be attached directly to an external heatsink. The thermal pad must be soldered directly to the printed circuit board (PCB). After soldering, the PCB can be used as a heatsink. In addition, through the use of thermal vias, the thermal pad can be attached directly to the appropriate copper plane shown in the electrical schematic for the device, or alternatively, can be attached to a special heatsink structure designed into the PCB. This design optimizes the heat transfer from the integrated circuit (IC).

For information on the Quad Flatpack No-Lead (QFN) package and its advantages, refer to Application Report, QFN/SON PCB Attachment, Texas Instruments Literature No. SLUA271. This document is available at www.ti.com.

The exposed thermal pad dimensions for this package are shown in the following illustration.



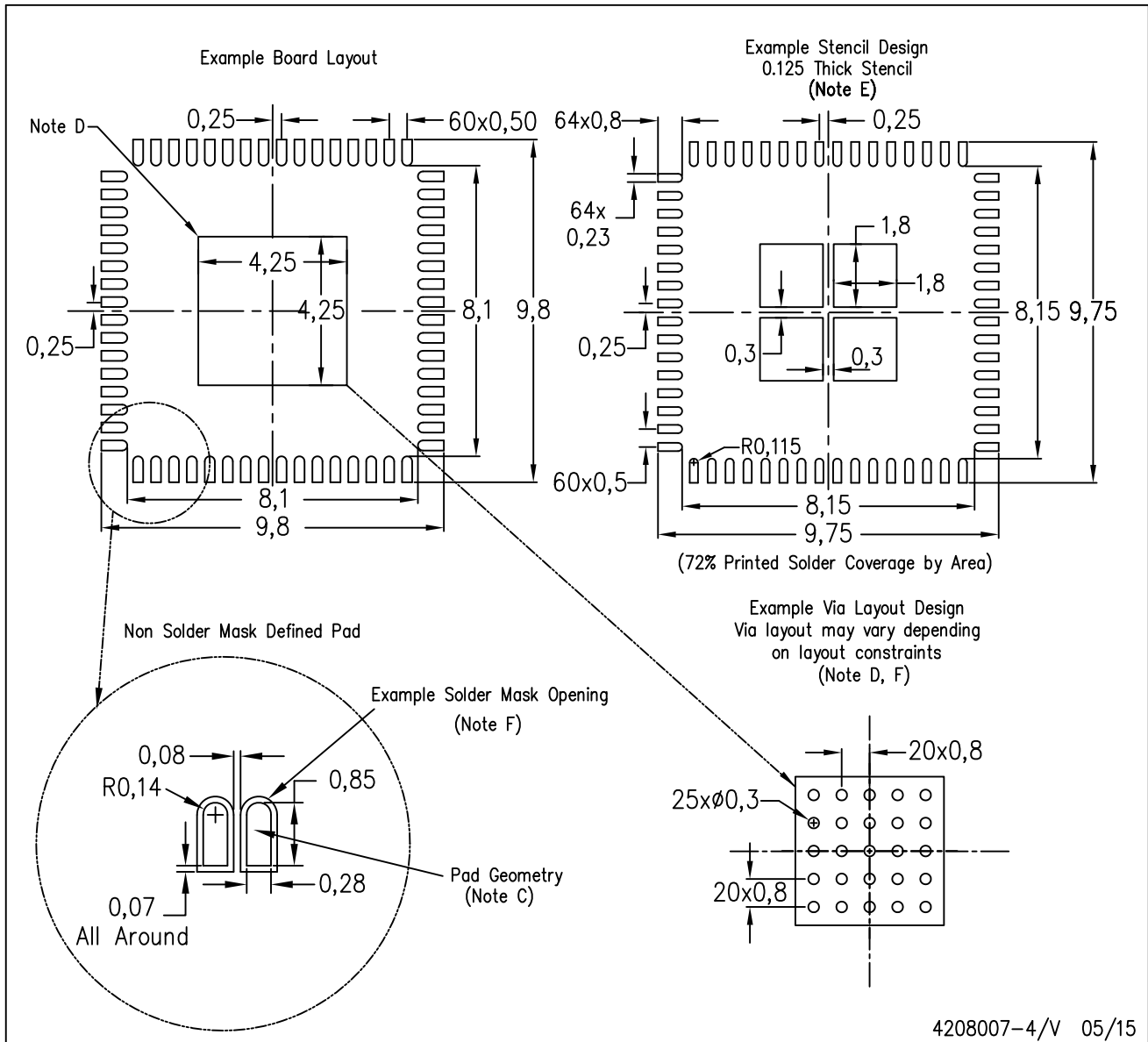
Exposed Thermal Pad Dimensions

4206192-3/AE 03/15

NOTE: A. All linear dimensions are in millimeters

RGC (S-PVQFN-N64)

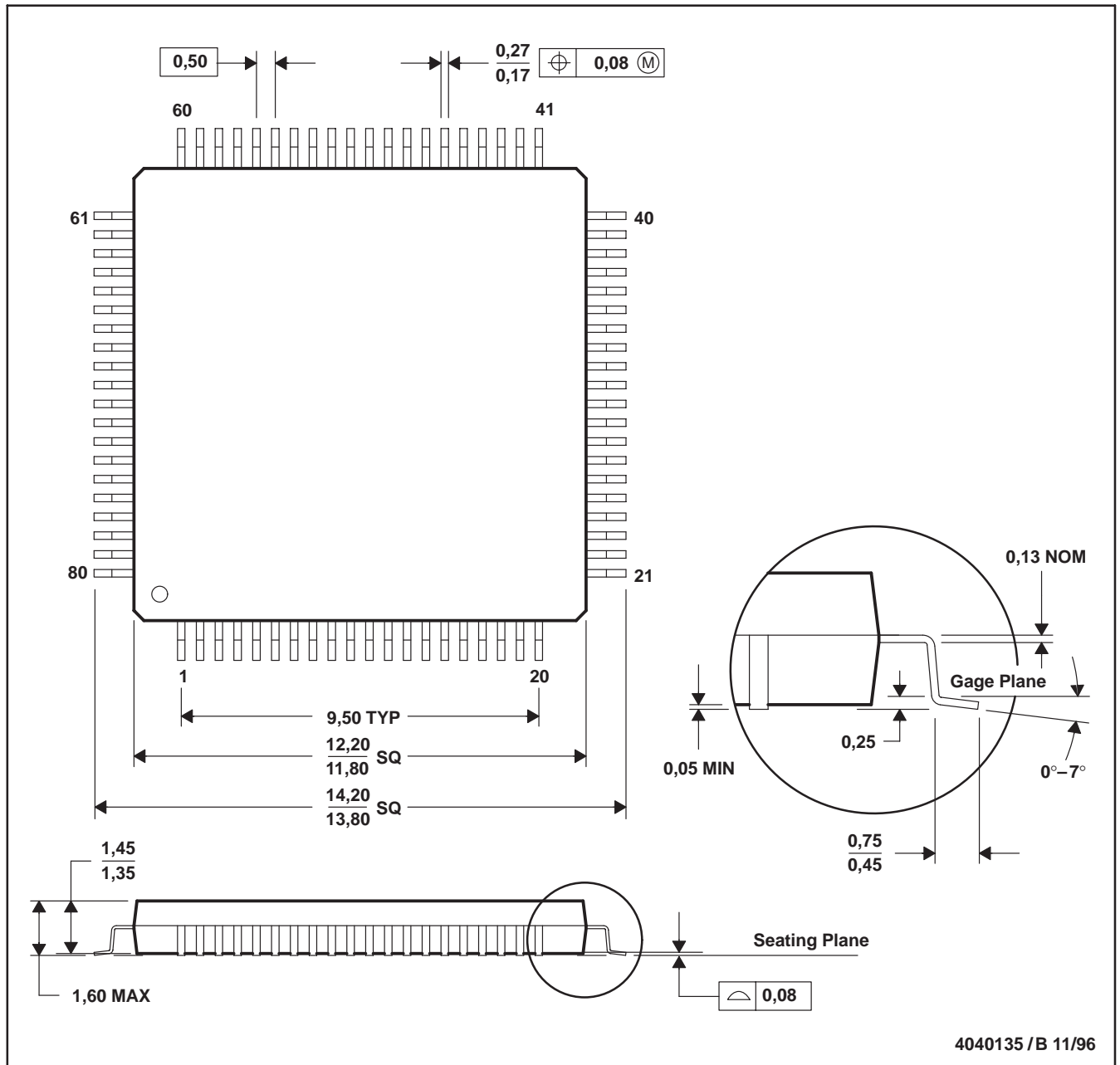
PLASTIC QUAD FLATPACK NO-LEAD



- NOTES:
- All linear dimensions are in millimeters.
 - This drawing is subject to change without notice.
 - Publication IPC-7351 is recommended for alternate designs.
 - This package is designed to be soldered to a thermal pad on the board. Refer to Application Note, Quad Flat-Pack Packages, Texas Instruments Literature No. SLUA271, and also the Product Data Sheets for specific thermal information, via requirements, and recommended board layout. These documents are available at www.ti.com <<http://www.ti.com>>.
 - Laser cutting apertures with trapezoidal walls and also rounding corners will offer better paste release. Customers should contact their board assembly site for stencil design recommendations. Refer to IPC 7525 for stencil design considerations.
 - Customers should contact their board fabrication site for recommended solder mask tolerances and via tenting recommendations for vias placed in thermal pad.

PN (S-PQFP-G80)

PLASTIC QUAD FLATPACK

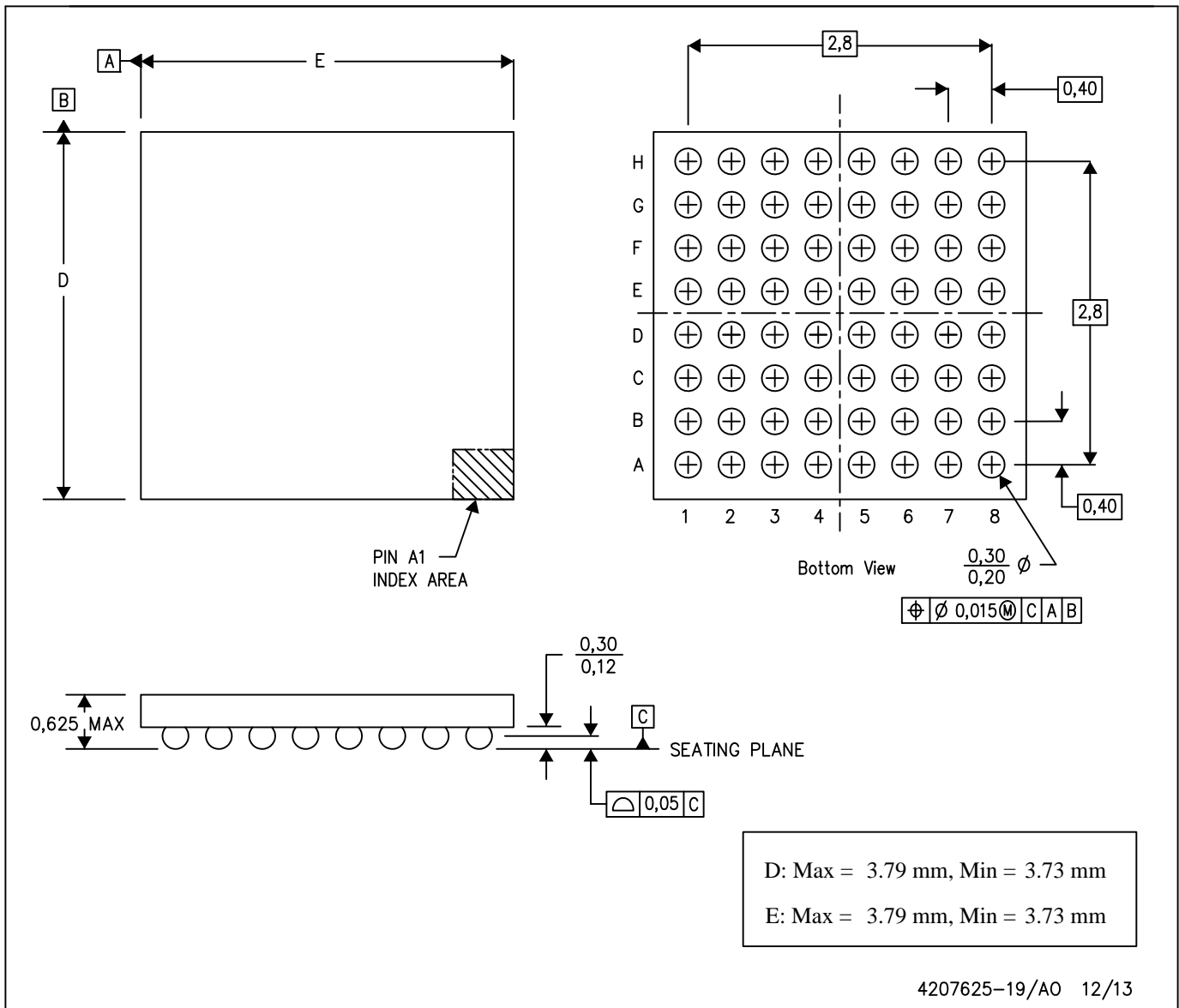


- NOTES: A. All linear dimensions are in millimeters.
 B. This drawing is subject to change without notice.
 C. Falls within JEDEC MS-026

MECHANICAL DATA

YFF (R-XBGA-N64)

DIE-SIZE BALL GRID ARRAY



- NOTES: A. All linear dimensions are in millimeters. Dimensioning and tolerancing per ASME Y14.5M-1994.
B. This drawing is subject to change without notice.
C. NanoFree™ package configuration.

NanoFree is a trademark of Texas Instruments.

IMPORTANT NOTICE

Texas Instruments Incorporated and its subsidiaries (TI) reserve the right to make corrections, enhancements, improvements and other changes to its semiconductor products and services per JESD46, latest issue, and to discontinue any product or service per JESD48, latest issue. Buyers should obtain the latest relevant information before placing orders and should verify that such information is current and complete. All semiconductor products (also referred to herein as "components") are sold subject to TI's terms and conditions of sale supplied at the time of order acknowledgment.

TI warrants performance of its components to the specifications applicable at the time of sale, in accordance with the warranty in TI's terms and conditions of sale of semiconductor products. Testing and other quality control techniques are used to the extent TI deems necessary to support this warranty. Except where mandated by applicable law, testing of all parameters of each component is not necessarily performed.

TI assumes no liability for applications assistance or the design of Buyers' products. Buyers are responsible for their products and applications using TI components. To minimize the risks associated with Buyers' products and applications, Buyers should provide adequate design and operating safeguards.

TI does not warrant or represent that any license, either express or implied, is granted under any patent right, copyright, mask work right, or other intellectual property right relating to any combination, machine, or process in which TI components or services are used. Information published by TI regarding third-party products or services does not constitute a license to use such products or services or a warranty or endorsement thereof. Use of such information may require a license from a third party under the patents or other intellectual property of the third party, or a license from TI under the patents or other intellectual property of TI.

Reproduction of significant portions of TI information in TI data books or data sheets is permissible only if reproduction is without alteration and is accompanied by all associated warranties, conditions, limitations, and notices. TI is not responsible or liable for such altered documentation. Information of third parties may be subject to additional restrictions.

Resale of TI components or services with statements different from or beyond the parameters stated by TI for that component or service voids all express and any implied warranties for the associated TI component or service and is an unfair and deceptive business practice. TI is not responsible or liable for any such statements.

Buyer acknowledges and agrees that it is solely responsible for compliance with all legal, regulatory and safety-related requirements concerning its products, and any use of TI components in its applications, notwithstanding any applications-related information or support that may be provided by TI. Buyer represents and agrees that it has all the necessary expertise to create and implement safeguards which anticipate dangerous consequences of failures, monitor failures and their consequences, lessen the likelihood of failures that might cause harm and take appropriate remedial actions. Buyer will fully indemnify TI and its representatives against any damages arising out of the use of any TI components in safety-critical applications.

In some cases, TI components may be promoted specifically to facilitate safety-related applications. With such components, TI's goal is to help enable customers to design and create their own end-product solutions that meet applicable functional safety standards and requirements. Nonetheless, such components are subject to these terms.

No TI components are authorized for use in FDA Class III (or similar life-critical medical equipment) unless authorized officers of the parties have executed a special agreement specifically governing such use.

Only those TI components which TI has specifically designated as military grade or "enhanced plastic" are designed and intended for use in military/aerospace applications or environments. Buyer acknowledges and agrees that any military or aerospace use of TI components which have **not** been so designated is solely at the Buyer's risk, and that Buyer is solely responsible for compliance with all legal and regulatory requirements in connection with such use.

TI has specifically designated certain components as meeting ISO/TS16949 requirements, mainly for automotive use. In any case of use of non-designated products, TI will not be responsible for any failure to meet ISO/TS16949.

Products

| | |
|------------------------------|--|
| Audio | www.ti.com/audio |
| Amplifiers | amplifier.ti.com |
| Data Converters | dataconverter.ti.com |
| DLP® Products | www.dlp.com |
| DSP | dsp.ti.com |
| Clocks and Timers | www.ti.com/clocks |
| Interface | interface.ti.com |
| Logic | logic.ti.com |
| Power Mgmt | power.ti.com |
| Microcontrollers | microcontroller.ti.com |
| RFID | www.ti-rfid.com |
| OMAP Applications Processors | www.ti.com/omap |
| Wireless Connectivity | www.ti.com/wirelessconnectivity |

Applications

| | |
|-------------------------------|--|
| Automotive and Transportation | www.ti.com/automotive |
| Communications and Telecom | www.ti.com/communications |
| Computers and Peripherals | www.ti.com/computers |
| Consumer Electronics | www.ti.com/consumer-apps |
| Energy and Lighting | www.ti.com/energy |
| Industrial | www.ti.com/industrial |
| Medical | www.ti.com/medical |
| Security | www.ti.com/security |
| Space, Avionics and Defense | www.ti.com/space-avionics-defense |
| Video and Imaging | www.ti.com/video |

TI E2E Community

e2e.ti.com