

MSP430G2x44 Mixed-Signal Microcontrollers

1 Device Overview

1.1 Features

- Low Supply-Voltage Range: 1.8 V to 3.6 V
- Ultra-Low Power Consumption
 - Active Mode: 270 μ A at 1 MHz, 2.2 V
 - Standby Mode: 1 μ A
 - Off Mode (RAM Retention): 0.1 μ A
- Ultra-Fast Wakeup From Standby Mode in Less Than 1 μ s
- 16-Bit RISC Architecture, 62.5-ns Instruction Cycle Time
- Basic Clock Module Configurations
 - Internal Frequencies up to 16 MHz With Four Calibrated Frequencies
 - Internal Very-Low-Power Low-Frequency (LF) Oscillator
 - 32-kHz Crystal
 - High-Frequency (HF) Crystal up to 16 MHz
 - Resonator
 - External Digital Clock Source
 - External Resistor
- 16-Bit Timer_A With Three Capture/Compare Registers
- 16-Bit Timer_B With Three Capture/Compare Registers
- Universal Serial Communication Interface (USCI)
 - Enhanced UART Supports Automatic Baud-Rate Detection (LIN)
 - IrDA Encoder and Decoder
 - Synchronous SPI
 - I²C
- 10-Bit 200-kbps Analog-to-Digital Converter (ADC) With Internal Reference, Sample-and-Hold, Autoscan, and Data Transfer Controller
- Brownout Detector
- Serial Onboard Programming, No External Programming Voltage Needed, Programmable Code Protection by Security Fuse
- Bootstrap Loader (BSL)
- On-Chip Emulation Module
- Family Members
 - MSP430G2444
 - 8KB + 256B Flash Memory
 - 512B RAM
 - MSP430G2544
 - 16KB + 256B Flash Memory
 - 512B RAM
 - MSP430G2744
 - 32KB + 256B Flash Memory
 - 1KB RAM
- [Section 3](#) Summarizes the Available Family Members
- Package Options
 - TSSOP: 38 Pin (DA)
 - QFN: 40 Pin (RHA)
 - DSBGA: 49 Pin (YFF)
 - PDIP: 40 Pin (N) Available in Sampling Quantities as [PMS430G2744IN40](#)
- For Complete Module Descriptions, See the *MSP430x2xx Family User's Guide* ([SLAU144](#))

1.2 Applications

- Sensor Systems
- Radio-Frequency Sensor Front End

1.3 Description

The Texas Instruments MSP430™ family of ultra-low-power microcontrollers consists of several devices featuring different sets of peripherals targeted for various applications. The architecture, combined with five low-power modes, is optimized to achieve extended battery life in portable measurement applications. The device features a powerful 16-bit RISC CPU, 16-bit registers, and constant generators that contribute to maximum code efficiency. The digitally controlled oscillator (DCO) allows the device to wake up from low-power modes to active mode in less than 1 μ s.

The MSP430G2x44 series is an ultra-low-power mixed-signal microcontroller with two built-in 16-bit timers, a universal serial communication interface (USCI), 10-bit analog-to-digital converter (ADC) with integrated reference and data transfer controller (DTC), and 32 I/O pins.



Typical applications include sensor systems that capture analog signals, convert them to digital values, and then process the data for display or for transmission to a host system. Stand-alone radio-frequency (RF) sensor front ends are another area of application.

Device Information⁽¹⁾

| PART NUMBER | PACKAGE | BODY SIZE ⁽²⁾ |
|----------------|------------|--------------------------|
| MSP430G2744DA | TSSOP (38) | 12.5 mm x 6.2 mm |
| MSP430G2744RHA | VQFN (40) | 6 mm x 6 mm |
| MSP430G2744YFF | DSBGA (49) | 3.1 mm x 3.1 mm |
| MSP430G2744N | PDIP (40) | 52.46 mm x 13.71 mm |

(1) For the most current part, package, and ordering information for all available devices, see the *Package Option Addendum* in Section 8, or see the TI web site at www.ti.com.

(2) The sizes shown here are approximations. For the package dimensions with tolerances, see the *Mechanical Data* in Section 8.

1.4 Functional Block Diagram

Figure 1-1 shows the functional block diagram of the MSP430G2x44 devices.

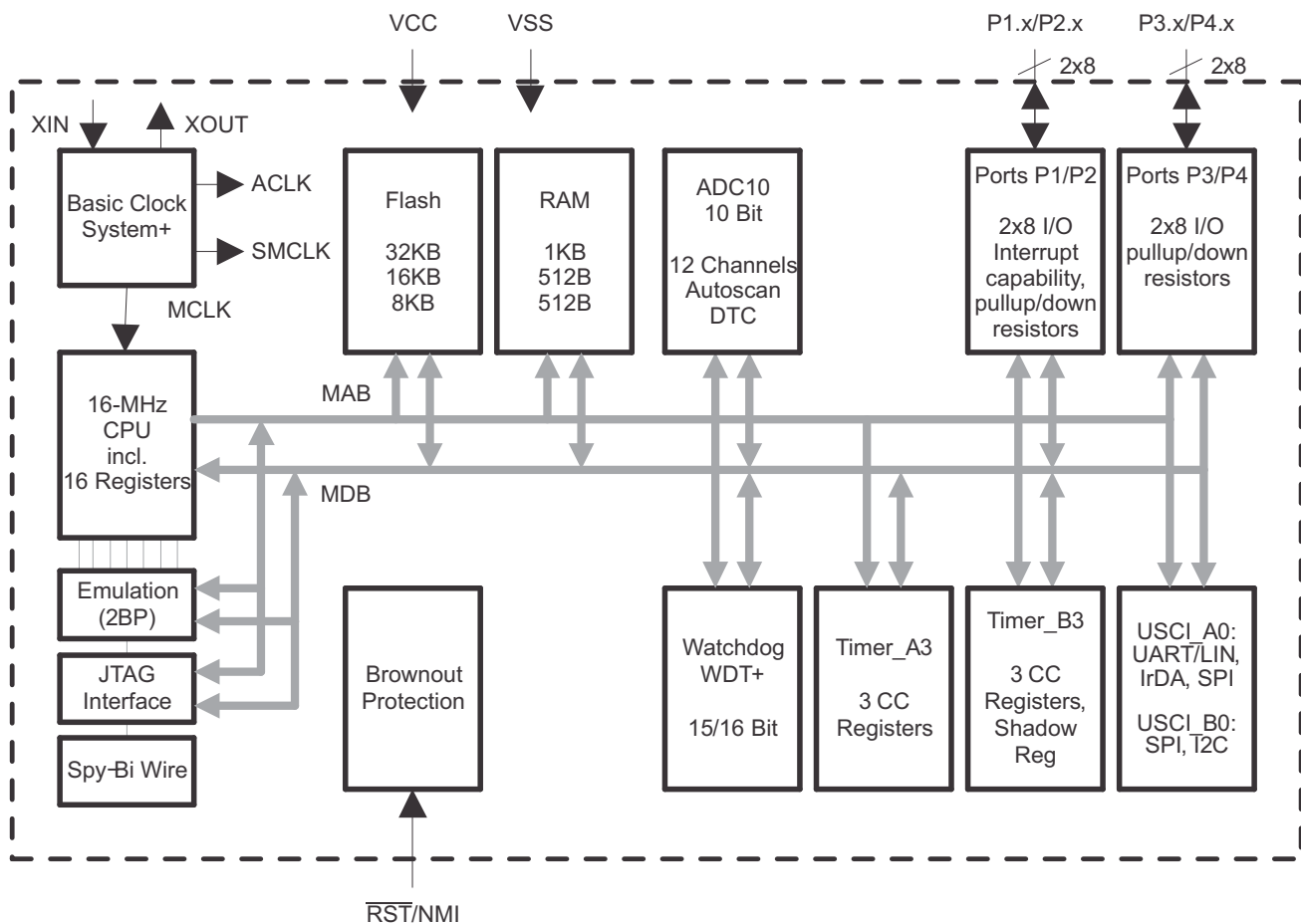


Figure 1-1. Functional Block Diagram

Table of Contents

| | | | | | |
|----------|--|-----------|----------|---|-----------|
| 1 | Device Overview | 1 | 5.27 | USCI (SPI Slave Mode) | 30 |
| 1.1 | Features | 1 | 5.28 | USCI (I ² C Mode) | 31 |
| 1.2 | Applications | 1 | 5.29 | 10-Bit ADC, Power Supply and Input Range Conditions | 32 |
| 1.3 | Description | 1 | 5.30 | 10-Bit ADC, Built-In Voltage Reference | 33 |
| 1.4 | Functional Block Diagram | 2 | 5.31 | 10-Bit ADC, External Reference | 34 |
| 2 | Revision History | 4 | 5.32 | 10-Bit ADC, Timing Parameters | 34 |
| 3 | Device Comparison | 5 | 5.33 | 10-Bit ADC, Linearity Parameters | 35 |
| 4 | Terminal Configuration and Functions | 6 | 5.34 | 10-Bit ADC, Temperature Sensor and Built-In V _{MID} | 35 |
| 4.1 | Pin Diagrams | 6 | 5.35 | Flash Memory | 36 |
| 4.2 | Signal Descriptions | 10 | 5.36 | RAM | 36 |
| 5 | Specifications | 13 | 5.37 | JTAG and Spy-Bi-Wire Interface | 37 |
| 5.1 | Absolute Maximum Ratings | 13 | 5.38 | JTAG Fuse | 37 |
| 5.2 | Handling Ratings | 13 | 6 | Detailed Description | 38 |
| 5.3 | Recommended Operating Conditions | 13 | 6.1 | CPU | 38 |
| 5.4 | Active Mode Supply Current (Into DV _{CC} + AV _{CC}) Excluding External Current | 15 | 6.2 | Instruction Set | 39 |
| 5.5 | Typical Characteristics - Active-Mode Supply Current (Into DV _{CC} + AV _{CC}) | 15 | 6.3 | Operating Modes | 40 |
| 5.6 | Low-Power-Mode Supply Currents (Into V _{CC}) Excluding External Current | 16 | 6.4 | Interrupt Vector Addresses | 41 |
| 5.7 | Schmitt-Trigger Inputs (Ports P1, P2, P3, P4, and RST/NMI) | 17 | 6.5 | Special Function Registers | 42 |
| 5.8 | Leakage Current, Ports Px | 17 | 6.6 | Memory Organization | 43 |
| 5.9 | Outputs, Ports Px | 17 | 6.7 | Bootstrap Loader (BSL) | 43 |
| 5.10 | Output Frequency, Ports Px | 17 | 6.8 | Flash Memory | 43 |
| 5.11 | Typical Characteristics - Outputs | 18 | 6.9 | Peripherals | 44 |
| 5.12 | POR and BOR | 19 | 6.10 | Oscillator and System Clock | 44 |
| 5.13 | Typical Characteristics - POR and BOR | 20 | 6.11 | Brownout | 44 |
| 5.14 | DCO Frequency | 21 | 6.12 | Digital I/O | 44 |
| 5.15 | Calibrated DCO Frequencies, Tolerance | 22 | 6.13 | Watchdog Timer (WDT+) | 44 |
| 5.16 | Wake-Up From Lower-Power Modes (LPM3, LPM4) | 23 | 6.14 | Timer_A3 | 45 |
| 5.17 | Typical Characteristics - DCO Clock Wake-Up Time From LPM3 or LPM4 | 23 | 6.15 | Timer_B3 | 46 |
| 5.18 | DCO With External Resistor R _{OSC} | 24 | 6.16 | Universal Serial Communications Interface (USCI) | 46 |
| 5.19 | Typical Characteristics - DCO With External Resistor R _{OSC} | 24 | 6.17 | ADC10 | 46 |
| 5.20 | Crystal Oscillator LFXT1, Low-Frequency Mode ... | 25 | 6.18 | Peripheral File Map | 47 |
| 5.21 | Internal Very-Low-Power Low-Frequency Oscillator (VLO) | 25 | 6.19 | Port Schematics | 50 |
| 5.22 | Crystal Oscillator LFXT1, High-Frequency Mode ... | 26 | 7 | Device and Documentation Support | 69 |
| 5.23 | Typical Characteristics - LFXT1 Oscillator in HF Mode (XTS = 1) | 27 | 7.1 | Device Support | 69 |
| 5.24 | Timer_A, Timer_B | 28 | 7.2 | Documentation Support | 72 |
| 5.25 | USCI (UART Mode) | 28 | 7.3 | Related Links | 72 |
| 5.26 | USCI (SPI Master Mode) | 29 | 7.4 | Community Resources | 72 |
| | | | 7.5 | Trademarks | 72 |
| | | | 7.6 | Electrostatic Discharge Caution | 72 |
| | | | 7.7 | Glossary | 72 |
| | | | 8 | Mechanical, Packaging, and Orderable Information | 73 |

2 Revision History

NOTE: Page numbers for previous revisions may differ from page numbers in the current version.

| Changes from Revision B (March 2013) to Revision C | Page |
|--|--------------------|
| • Document formatting changes throughout, including addition of section numbering | 1 |
| • Added Device Information table | 2 |
| • Added Section 3 ; moved and renamed Table 3-1 | 5 |
| • Corrected size of RAM for MSP430G2744 in Table 3-1 | 5 |
| • Added Section 5 and moved all electrical specifications to it | 13 |
| • Added Section 5.2 and moved T_{sig} to it | 13 |
| • Added Section 7 and moved Tools Support, Device Nomenclature, ESD Caution, and Trademarks sections to it ... | 69 |
| • Added Section 8 | 73 |

3 Device Comparison

Table 3-1 summarizes the available family members.

Table 3-1. Device Comparison⁽¹⁾⁽²⁾

| Device | BSL | EEM | Flash (KB) | RAM (B) | Timer_A | Timer_B | ADC10 Channel | USCI_A0, USCI_B0 | Clock | I/O | Package Type |
|-------------------|-----|-----|------------|---------|---------|---------|---------------|------------------|------------------|----------|--------------|
| MSP430G2744IRHA40 | 1 | 1 | 32 | 1K | TA3 | TB3 | 12 | 1 | HF, LF, DCO, VLO | 32 | 40-QFN |
| 32 | | | | | | | | | | 38-TSSOP | |
| 32 | | | | | | | | | | 49-DSBGA | |
| MSP430G2544IRHA40 | 1 | 1 | 16 | 512 | TA3 | TB3 | 12 | 1 | HF, LF, DCO, VLO | 32 | 40-QFN |
| 32 | | | | | | | | | | 38-TSSOP | |
| 32 | | | | | | | | | | 49-DSBGA | |
| MSP430G2444IRHA40 | 1 | 1 | 8 | 512 | TA3 | TB3 | 12 | 1 | HF, LF, DCO, VLO | 32 | 40-QFN |
| 32 | | | | | | | | | | 38-TSSOP | |
| 32 | | | | | | | | | | 49-DSBGA | |

(1) For the most current package and ordering information, see the *Package Option Addendum* in [Section 8](#), or see the TI web site at www.ti.com.

(2) Package drawings, thermal data, and symbolization are available at www.ti.com/packaging.

4 Terminal Configuration and Functions

4.1 Pin Diagrams

Figure 4-1 shows the pin diagram for the 38-pin DA package.

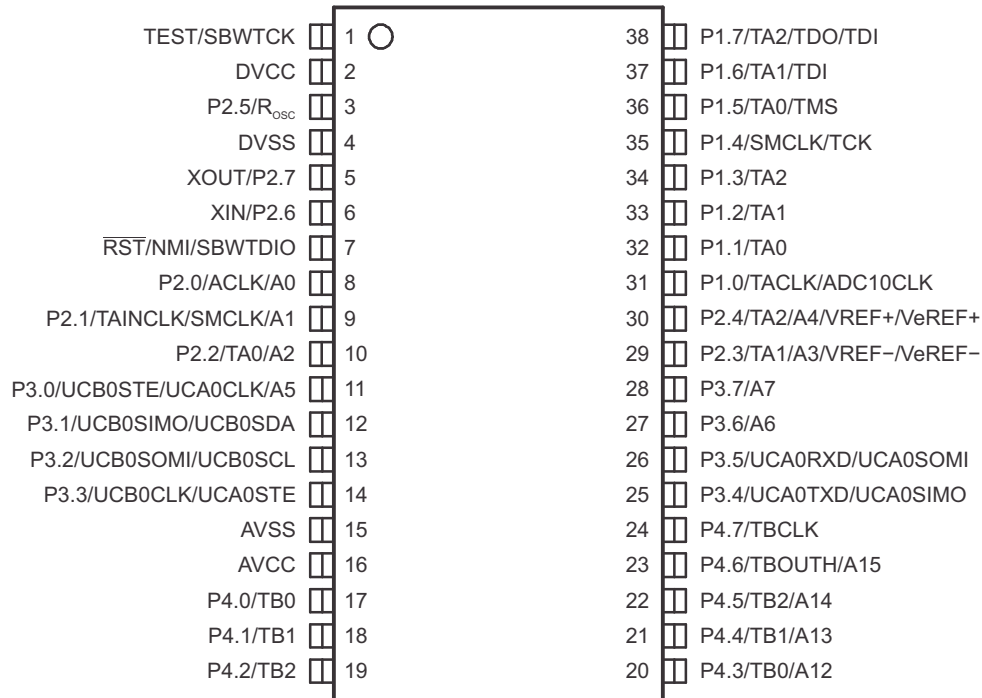


Figure 4-1. 38-Pin TSSOP (DA Package) (Top View)

Figure 4-2 shows the pin diagram for the 40-pin N package.

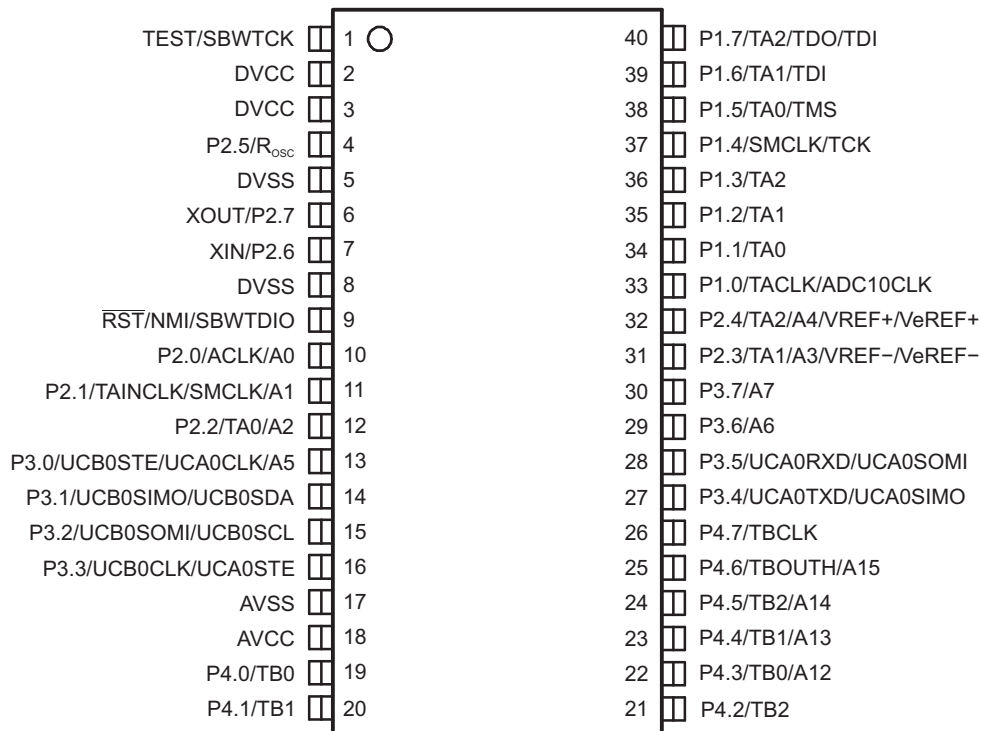


Figure 4-2. 40-Pin PDIP (N Package) (Top View)

Figure 4-3 shows the pin diagram for the 40-pin RHA package.

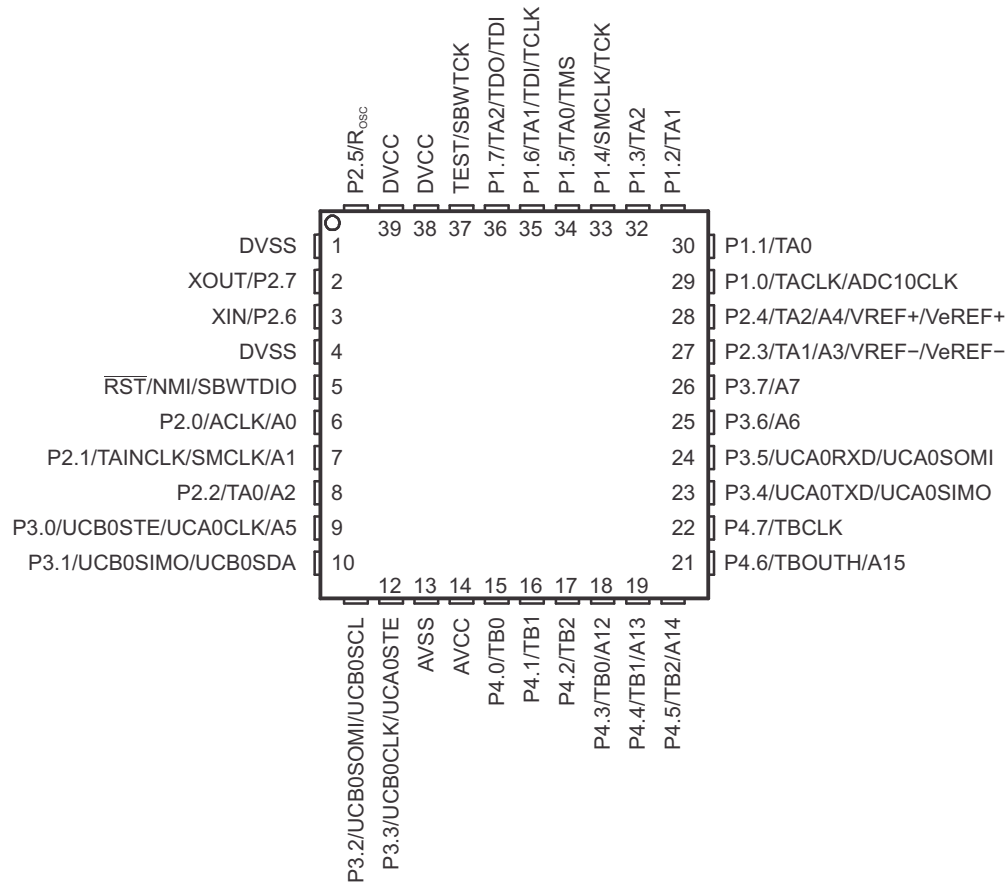


Figure 4-3. 40-Pin QFN (RHA Package) (Top View)

Figure 4-4 shows the pin diagram for the 49-pin YFF package.

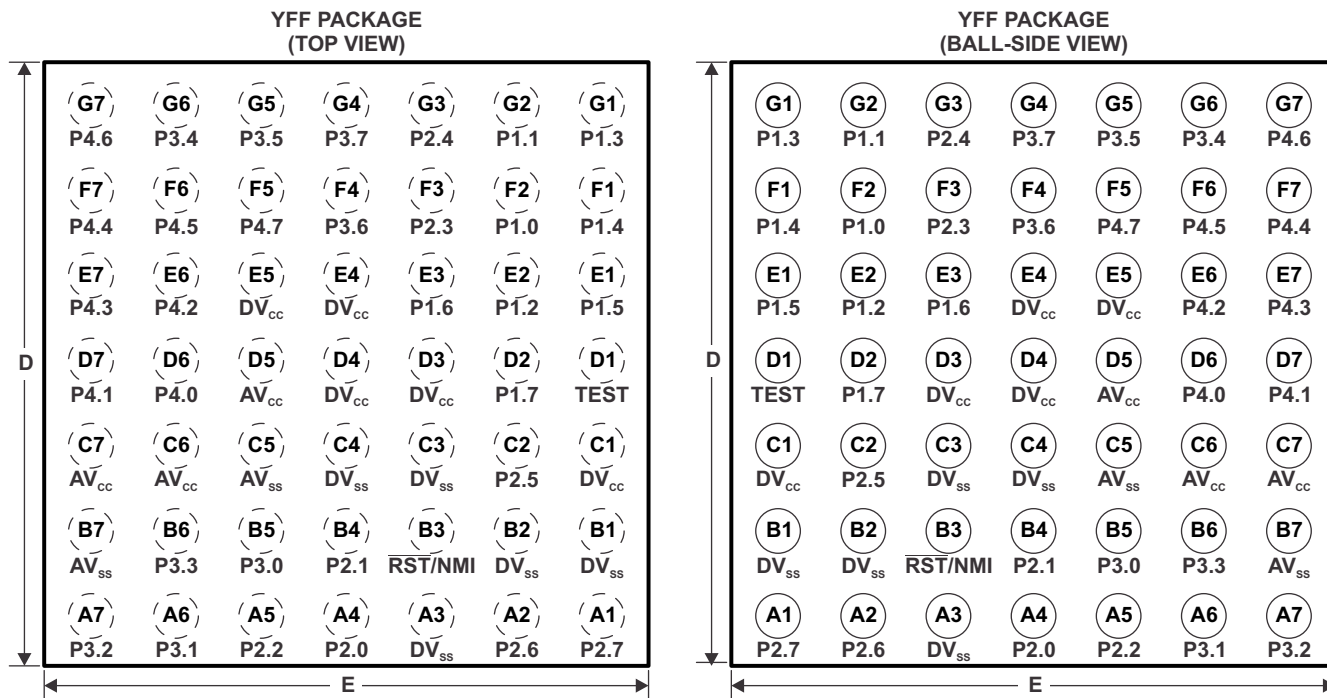


Figure 4-4. 49-Pin DSBGA (YFF Package)

4.2 Signal Descriptions

Table 4-1 describes the signals for all device variants and package options.

Table 4-1. Terminal Functions

| NAME | TERMINAL NO. | | | | I/O | DESCRIPTION |
|---|--------------|----|----|-----|-----|--|
| | YFF | DA | N | RHA | | |
| P1.0/TACLK/ADC10CLK | F2 | 31 | 33 | 29 | I/O | General-purpose digital I/O pin Timer_A, clock signal TACLK input ADC10, conversion clock |
| P1.1/TA0 | G2 | 32 | 34 | 30 | I/O | General-purpose digital I/O pin Timer_A, capture: CCI0A input, compare: OUT0 output; BSL transmit |
| P1.2/TA1 | E2 | 33 | 35 | 31 | I/O | General-purpose digital I/O pin Timer_A, capture: CCI1A input, compare: OUT1 output |
| P1.3/TA2 | G1 | 34 | 36 | 32 | I/O | General-purpose digital I/O pin Timer_A, capture: CCI2A input, compare: OUT2 output |
| P1.4/SMCLK/TCK | F1 | 35 | 37 | 33 | I/O | General-purpose digital I/O pin SMCLK signal output Test Clock input for device programming and test |
| P1.5/TA0/TMS | E1 | 36 | 38 | 34 | I/O | General-purpose digital I/O pin Timer_A, compare: OUT0 output Test Mode Select input for device programming and test |
| P1.6/TA1/TDI/TCLK | E3 | 37 | 39 | 35 | I/O | General-purpose digital I/O pin Timer_A, compare: OUT1 output Test Data Input or Test Clock Input for programming and test |
| P1.7/TA2/TDO/TDI ⁽¹⁾ | D2 | 38 | 40 | 36 | I/O | General-purpose digital I/O pin Timer_A, compare: OUT2 output Test Data Output or Test Data Input for programming and test |
| P2.0/ACLK/A0 | A4 | 8 | 10 | 6 | I/O | General-purpose digital I/O pin ACLK output ADC10, analog input A0 |
| P2.1/TAINCLK/ SMCLK/A1 | B4 | 9 | 11 | 7 | I/O | General-purpose digital I/O pin Timer_A, clock signal at INCLK, SMCLK signal output ADC10, analog input A1 |
| P2.2/TA0/A2 | A5 | 10 | 12 | 8 | I/O | General-purpose digital I/O pin Timer_A, capture: CCI0B input; BSL receive, compare: OUT0 output ADC10, analog input A2 |
| P2.3/TA1/A3/ V _{REF-} /V _{eREF-} | F3 | 29 | 31 | 27 | I/O | General-purpose digital I/O pin Timer_A, capture CCI1B input, compare: OUT1 output ADC10, analog input A3 Negative reference voltage output/input |
| P2.4/TA2/A4/ V _{REF+} /V _{eREF+} | G3 | 30 | 32 | 28 | I/O | General-purpose digital I/O pin Timer_A, compare: OUT2 output ADC10, analog input A4 Positive reference voltage output/input |
| P2.5/R _{OSC} | C2 | 3 | 4 | 40 | I/O | General-purpose digital I/O pin Input for external DCO resistor to define DCO frequency |

(1) TDO or TDI is selected via JTAG instruction.

Table 4-1. Terminal Functions (continued)

| TERMINAL | | | | | I/O | DESCRIPTION |
|-----------------------------|-----|----|----|-----|-----|--|
| NAME | NO. | | | | | |
| | YFF | DA | N | RHA | | |
| XIN/P2.6 | A2 | 6 | 7 | 3 | I/O | Input terminal of crystal oscillator General-purpose digital I/O pin |
| XOUT/P2.7 | A1 | 5 | 6 | 2 | I/O | Output terminal of crystal oscillator General-purpose digital I/O pin ⁽²⁾ |
| P3.0/UCB0STE/ UCA0CLK/A5 | B5 | 11 | 13 | 9 | I/O | General-purpose digital I/O pin USCI_B0 slave transmit enable USCI_A0 clock input/output ADC10, analog input A5 |
| P3.1/UCB0SIMO/ UCB0SDA | A6 | 12 | 14 | 10 | I/O | General-purpose digital I/O pin USCI_B0 slave in, master out in SPI mode USCI_B0 SDA I2C data in I2C mode |
| P3.2/UCB0SOMI/ UCB0SCL | A7 | 13 | 15 | 11 | I/O | General-purpose digital I/O pin USCI_B0 slave out, master in SPI mode USCI_B0 SCL I2C clock in I2C mode |
| P3.3/UCB0CLK/ UCA0STE | B6 | 14 | 16 | 12 | I/O | General-purpose digital I/O pin USCI_B0 clock input/output USCI_A0 slave transmit enable |
| P3.4/UCA0TXD/ UCA0SIMO | G6 | 25 | 27 | 23 | I/O | General-purpose digital I/O pin USCI_A0 transmit data output in UART mode USCI_A0 slave in, master out in SPI mode |
| P3.5/UCA0RXD/ UCA0SOMI | G5 | 26 | 28 | 24 | I/O | General-purpose digital I/O pin USCI_A0 receive data input in UART mode USCI_A0 slave out, master in SPI mode |
| P3.6/A6 | F4 | 27 | 29 | 25 | I/O | General-purpose digital I/O pin ADC10 analog input A6 |
| P3.7/A7 | G4 | 28 | 30 | 26 | I/O | General-purpose digital I/O pin ADC10 analog input A7 |
| P4.0/TB0 | D6 | 17 | 19 | 15 | I/O | General-purpose digital I/O pin Timer_B, capture: CCI0A input, compare: OUT0 output |
| P4.1/TB1 | D7 | 18 | 20 | 16 | I/O | General-purpose digital I/O pin Timer_B, capture: CCI1A input, compare: OUT1 output |
| P4.2/TB2 | E6 | 19 | 21 | 17 | I/O | General-purpose digital I/O pin Timer_B, capture: CCI2A input, compare: OUT2 output |
| P4.3/TB0/A12 | E7 | 20 | 22 | 18 | I/O | General-purpose digital I/O pin Timer_B, capture: CCI0B input, compare: OUT0 output ADC10 analog input A12 |
| P4.4/TB1/A13 | F7 | 21 | 23 | 19 | I/O | General-purpose digital I/O pin Timer_B, capture: CCI1B input, compare: OUT1 output ADC10 analog input A13 |
| P4.5/TB2/A14 | F6 | 22 | 24 | 20 | I/O | General-purpose digital I/O pin Timer_B, compare: OUT2 output ADC10 analog input A14 |

(2) If XOUT/P2.7 is used as an input, excess current flows until P2SEL.7 is cleared. This is due to the oscillator output driver connection to this pad after reset.

Table 4-1. Terminal Functions (continued)

| TERMINAL | | | | | I/O | DESCRIPTION |
|---|--------------------------------|----|------|--------|-----|---|
| NAME | NO. | | | | | |
| | YFF | DA | N | RHA | | |
| P4.6/TBOUTH/A15 | G7 | 23 | 25 | 21 | I/O | General-purpose digital I/O pin Timer_B, switch all TB0 to TB3 outputs to high impedance ADC10 analog input A15 |
| P4.7/TBCLK | F5 | 24 | 26 | 22 | I/O | General-purpose digital I/O pin Timer_B, clock signal TBCLK input |
| $\overline{\text{RST}}/\text{NMI}/\text{SBWTDIO}$ | B3 | 7 | 9 | 5 | I | Reset or nonmaskable interrupt input Spy-Bi-Wire test data input/output during programming and test |
| TEST/SBWTK | D1 | 1 | 1 | 37 | I | Selects test mode for JTAG pins on Port 1. The device protection fuse is connected to TEST. Spy-Bi-Wire test clock input during programming and test |
| DV _{CC} | C1, D3, D4, E4, E5 | 2 | 2, 3 | 38, 39 | | Digital supply voltage |
| AV _{CC} | C6, C7, D5 | 16 | 18 | 14 | | Analog supply voltage |
| DV _{SS} | A3, B1, B2, C3, C4 | 4 | 5, 8 | 1, 4 | | Digital ground reference |
| AV _{SS} | B7, C5 | 15 | 17 | 13 | | Analog ground reference |
| QFN Pad | NA | NA | NA | Pad | NA | QFN package pad; connection to DV _{SS} recommended. |

5 Specifications

5.1 Absolute Maximum Ratings⁽¹⁾⁽²⁾

| | MIN | MAX | UNIT |
|---|------|----------------|------|
| Voltage applied at V_{CC} | -0.3 | 4.1 | V |
| Voltage applied to any pin ⁽³⁾ | -0.3 | $V_{CC} + 0.3$ | V |
| Diode current at any device terminal | | ± 2 | mA |

- (1) Stresses beyond those listed under *Absolute Maximum Ratings* may cause permanent damage to the device. These are stress ratings only, and functional operation of the device at these or any other conditions beyond those indicated under *Recommended Operating Conditions* is not implied. Exposure to absolute-maximum-rated conditions for extended periods may affect device reliability.
- (2) All voltages referenced to V_{SS} .
- (3) The JTAG fuse-blow voltage, V_{FB} , is allowed to exceed the absolute maximum rating. The voltage is applied to the TEST pin when blowing the JTAG fuse.

5.2 Handling Ratings

| | MIN | MAX | UNIT |
|--|-----|-----|------|
| T_{stg} | | | |
| Storage temperature (programmed or unprogrammed device) ⁽¹⁾ | -55 | 150 | °C |

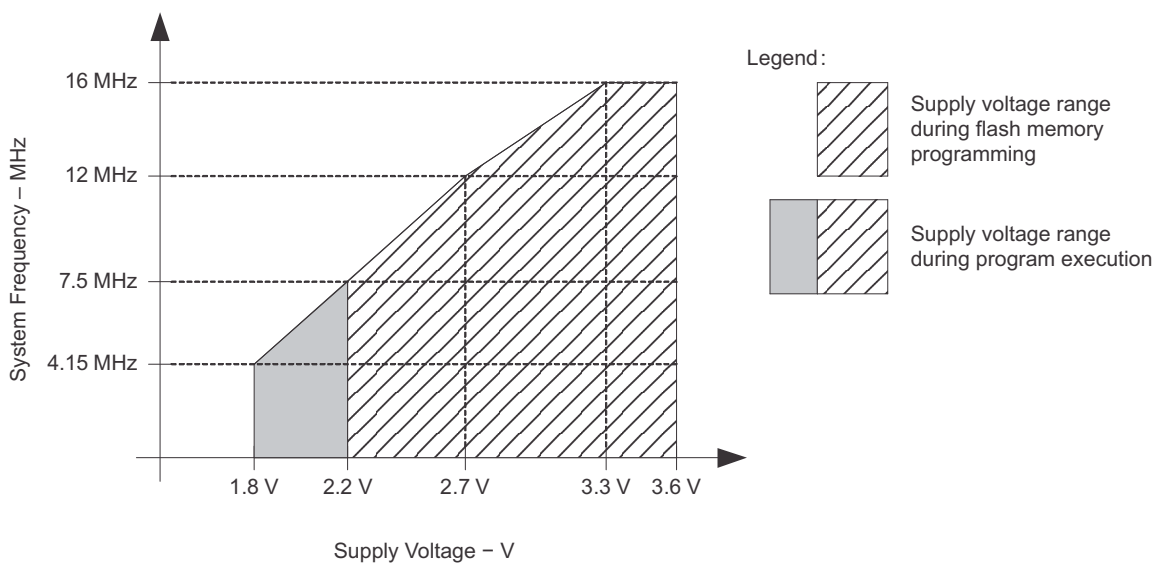
- (1) Higher temperature may be applied during board soldering process according to the current JEDEC J-STD-020 specification with peak reflow temperatures not higher than classified on the device label on the shipping boxes or reels.

5.3 Recommended Operating Conditions⁽¹⁾⁽²⁾

Typical values are specified at $V_{CC} = 3.3$ V and $T_A = 25^\circ\text{C}$ (unless otherwise noted)

| | | | MIN | NOM | MAX | UNIT | |
|--------------|--|---|--|-----|------|------|---|
| V_{CC} | Supply voltage | $AV_{CC} = DV_{CC} = V_{CC}$ | During program execution | | 1.8 | 3.6 | V |
| | | | During program and erase of flash memory | | 2.2 | 3.6 | V |
| V_{SS} | Supply voltage | $AV_{SS} = DV_{SS} = V_{SS}$ | | 0 | | V | |
| T_A | Operating free-air temperature | | -40 | | 85 | °C | |
| f_{SYSTEM} | Processor frequency (maximum MCLK frequency) ⁽¹⁾⁽²⁾ (see Figure 5-1) | $V_{CC} = 1.8$ V, Duty cycle = 50% \pm 10% | dc | | 4.15 | MHz | |
| | | $V_{CC} = 2.7$ V, Duty cycle = 50% \pm 10% | dc | | 12 | | |
| | | $V_{CC} \geq 3.3$ V, Duty cycle = 50% \pm 10% | dc | | 16 | | |

- (1) The MSP430 CPU is clocked directly with MCLK. Both the high and low phase of MCLK must not exceed the pulse width of the specified maximum frequency.
- (2) Modules might have a different maximum input clock specification. See the specification of the respective module in this data sheet.



NOTE: Minimum processor frequency is defined by system clock. Flash program or erase operations require a minimum V_{CC} of 2.2 V.

Figure 5-1. Operating Area

5.4 Active Mode Supply Current (Into DV_{CC} + AV_{CC}) Excluding External Current⁽¹⁾⁽²⁾

over recommended ranges of supply voltage and operating free-air temperature (unless otherwise noted)

| PARAMETER | TEST CONDITIONS | T _A | V _{CC} | MIN | TYP | MAX | UNIT |
|--|---|----------------|-----------------|-----|-----|-----|------|
| I _{AM,1MHz} Active mode (AM) current (1 MHz) | f _{DCO} = f _{MCLK} = f _{SMCLK} = 1 MHz, f _{ACLK} = 32768 Hz, Program executes in flash, BCSCTL1 = CALBC1_1MHZ, DCOCTL = CALDCO_1MHZ, CPUOFF = 0, SCG0 = 0, SCG1 = 0, OSCOFF = 0 | | 2.2 V | 270 | | | μA |
| | | | 3 V | 390 | 550 | | |

- (1) All inputs are tied to 0 V or V_{CC}. Outputs do not source or sink any current.
- (2) The currents are characterized with a Micro Crystal CC4V-T1A SMD crystal with a load capacitance of 9 pF. The internal and external load capacitance is chosen to closely match the required 9 pF.

5.5 Typical Characteristics - Active-Mode Supply Current (Into DV_{CC} + AV_{CC})

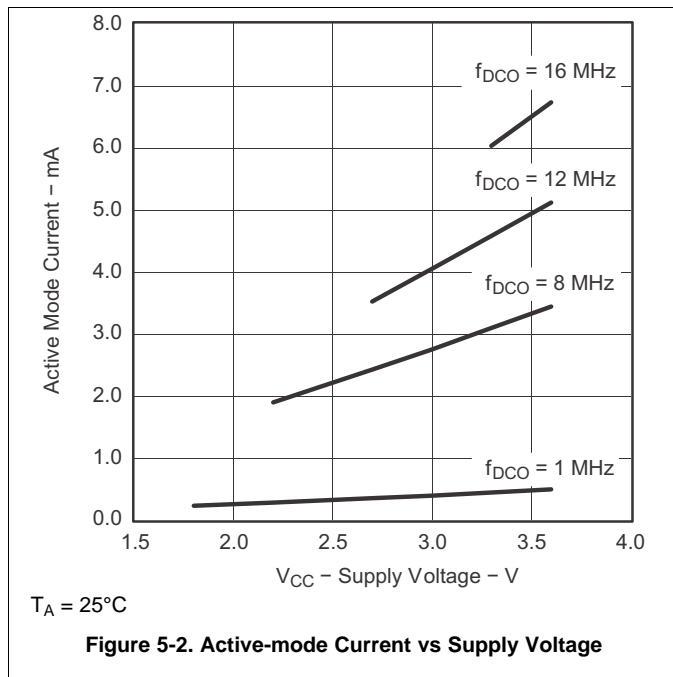


Figure 5-2. Active-mode Current vs Supply Voltage

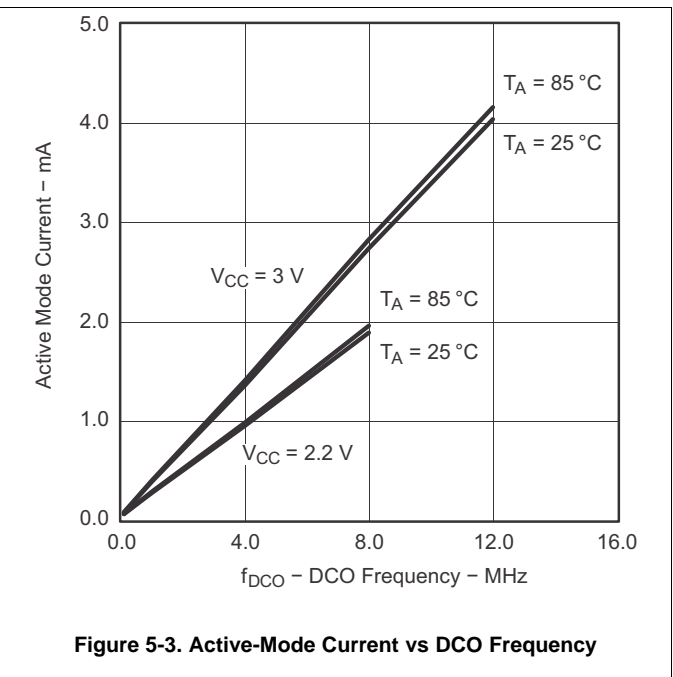


Figure 5-3. Active-Mode Current vs DCO Frequency

5.6 Low-Power-Mode Supply Currents (Into V_{CC}) Excluding External Current⁽¹⁾⁽²⁾

over recommended ranges of supply voltage and operating free-air temperature (unless otherwise noted)

| PARAMETER | | TEST CONDITIONS | T_A | V_{CC} | MIN | TYP | MAX | UNIT |
|------------------|---|---|-------|----------|-----|-----|-----|---------|
| $I_{LPM0,1MHz}$ | Low-power mode 0 (LPM0) current ⁽³⁾ | $f_{MCLK} = 0$ MHz, $f_{SMCLK} = f_{DCO} = 1$ MHz, $f_{ACLK} = 32768$ Hz, BCSCTL1 = CALBC1_1MHZ, DCOCTL = CALDCO_1MHZ, CPUOFF = 1, SCG0 = 0, SCG1 = 0, OSCOFF = 0 | 25°C | 2.2 V | | 75 | 90 | μ A |
| I_{LPM2} | Low-power mode 2 (LPM2) current ⁽⁴⁾ | $f_{MCLK} = f_{SMCLK} = 0$ MHz, $f_{DCO} = 1$ MHz, $f_{ACLK} = 32768$ Hz, BCSCTL1 = CALBC1_1MHZ, DCOCTL = CALDCO_1MHZ, CPUOFF = 1, SCG0 = 0, SCG1 = 1, OSCOFF = 0 | 25°C | 2.2 V | | 22 | | μ A |
| $I_{LPM3,LFXT1}$ | Low-power mode 3 (LPM3) current ⁽⁴⁾ | $f_{DCO} = f_{MCLK} = f_{SMCLK} = 0$ MHz, $f_{ACLK} = 32768$ Hz, CPUOFF = 1, SCG0 = 1, SCG1 = 1, OSCOFF = 0 | 25°C | 2.2 V | | 1 | 2 | μ A |
| $I_{LPM3,VLO}$ | Low-power mode 3 current, (LPM3) ⁽⁴⁾ | $f_{DCO} = f_{MCLK} = f_{SMCLK} = 0$ MHz, f_{ACLK} from internal LF oscillator (VLO), CPUOFF = 1, SCG0 = 1, SCG1 = 1, OSCOFF = 0 | 25°C | 2.2 V | | 0.5 | 1 | μ A |
| I_{LPM4} | Low-power mode 4 (LPM4) current ⁽⁵⁾ | $f_{DCO} = f_{MCLK} = f_{SMCLK} = 0$ MHz, $f_{ACLK} = 0$ Hz, CPUOFF = 1, SCG0 = 1, SCG1 = 1, OSCOFF = 1 | 25°C | 2.2 V | | 0.1 | 0.5 | μ A |
| | | | 85°C | | | 1.5 | 3 | |

(1) All inputs are tied to 0 V or V_{CC} . Outputs do not source or sink any current.

(2) The currents are characterized with a Micro Crystal CC4V-T1A SMD crystal with a load capacitance of 9 pF. The internal and external load capacitance is chosen to closely match the required 9 pF.

(3) Current for brownout and WDT clocked by SMCLK included.

(4) Current for brownout and WDT clocked by ACLK included.

(5) Current for brownout included.

5.7 Schmitt-Trigger Inputs (Ports P1, P2, P3, P4, and $\overline{\text{RST/NMI}}$)

over recommended ranges of supply voltage and operating free-air temperature (unless otherwise noted)

| PARAMETER | | TEST CONDITIONS | V _{CC} | MIN | TYP | MAX | UNIT |
|-------------------|---|--|-----------------|----------------------|-----|----------------------|------|
| V _{IT+} | Positive-going input threshold voltage | | | 0.45 V _{CC} | | 0.75 V _{CC} | V |
| | | | 3 V | 1.35 | | 2.25 | |
| V _{IT-} | Negative-going input threshold voltage | | | 0.25 V _{CC} | | 0.55 V _{CC} | V |
| | | | 3 V | 0.75 | | 1.65 | |
| V _{hys} | Input voltage hysteresis (V _{IT+} - V _{IT-}) | | 3 V | 0.3 | | 1 | V |
| R _{Pull} | Pullup or pulldown resistor | For pullup: V _{IN} = V _{SS} , For pulldown: V _{IN} = V _{CC} | 3 V | 20 | 35 | 50 | kΩ |
| C _I | Input capacitance | V _{IN} = V _{SS} or V _{CC} | | | 5 | | pF |

5.8 Leakage Current, Ports Px

over recommended ranges of supply voltage and operating free-air temperature (unless otherwise noted)

| PARAMETER | | TEST CONDITIONS | V _{CC} | MIN | TYP | MAX | UNIT |
|------------------------|--------------------------------|-----------------|-----------------|-----|-----|-----|------|
| I _{lkg(Px.y)} | High-impedance leakage current | (1) (2) | 3 V | | | ±50 | nA |

- (1) The leakage current is measured with V_{SS} or V_{CC} applied to the corresponding pin(s), unless otherwise noted.
(2) The leakage of the digital port pins is measured individually. The port pin is selected for input and the pullup or pulldown resistor is disabled.

5.9 Outputs, Ports Px

over recommended ranges of supply voltage and operating free-air temperature (unless otherwise noted)

| PARAMETER | | TEST CONDITIONS | V _{CC} | MIN | TYP | MAX | UNIT |
|-----------------|---------------------------|---|-----------------|-----|-----------------------|-----|------|
| V _{OH} | High-level output voltage | I _{OH(max)} = -6 mA ⁽¹⁾ | 3 V | | V _{CC} - 0.3 | | V |
| V _{OL} | Low-level output voltage | I _{OL(max)} = 6 mA ⁽¹⁾ | 3 V | | V _{SS} + 0.3 | | V |

- (1) The maximum total current, I_{OH(max)} and I_{OL(max)}, for all outputs combined, should not exceed ±48 mA to hold the maximum voltage drop specified.

5.10 Output Frequency, Ports Px

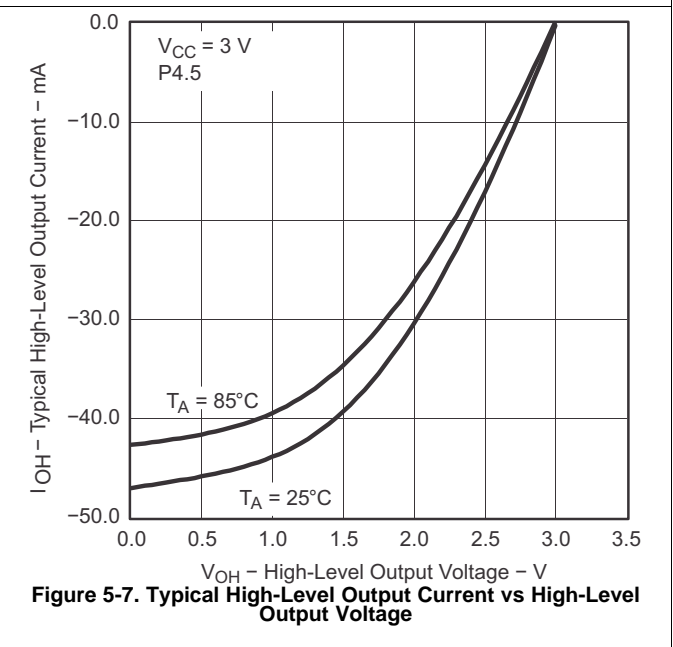
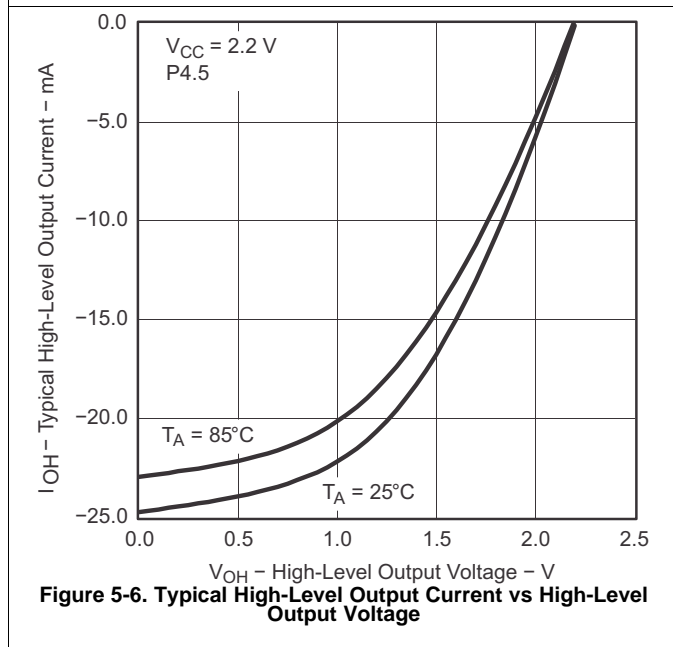
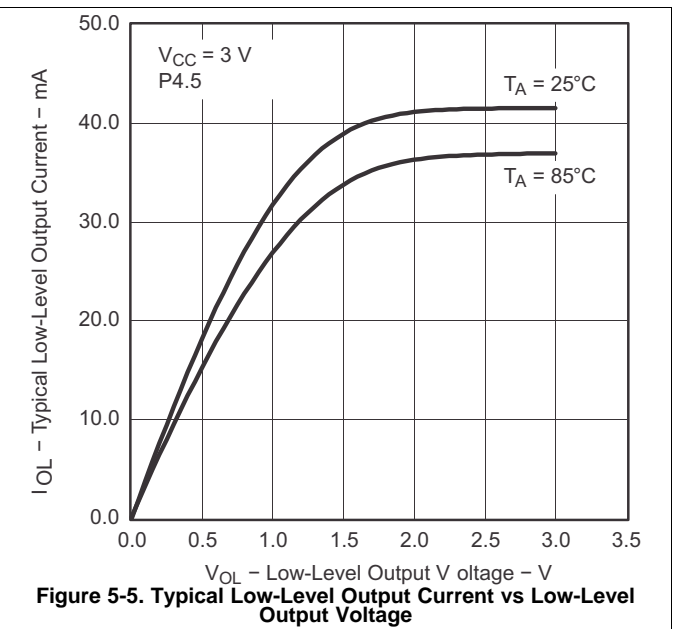
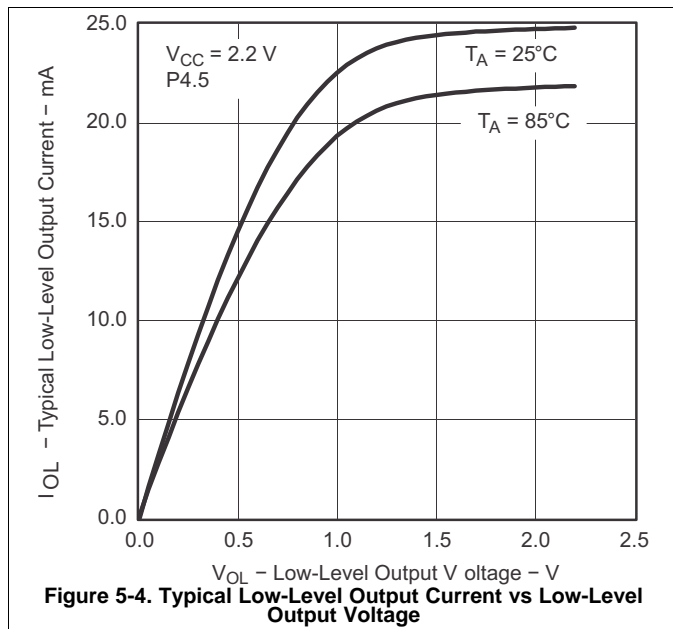
over recommended ranges of supply voltage and operating free-air temperature (unless otherwise noted)

| PARAMETER | | TEST CONDITIONS | V _{CC} | MIN | TYP | MAX | UNIT |
|-----------------------|-----------------------------------|---|-----------------|-----|-----|-----|------|
| f _{Px.y} | Port output frequency (with load) | Px.y, C _L = 20 pF, R _L = 1 kΩ against V _{CC} /2 ⁽¹⁾⁽²⁾ | 3 V | | 12 | | MHz |
| f _{Port_CLK} | Clock output frequency | Px.y, C _L = 20 pF ⁽²⁾ | 3 V | | 16 | | MHz |

- (1) Alternatively, a resistive divider with two 2-kΩ resistors between V_{CC} and V_{SS} is used as load. The output is connected to the center tap of the divider.
(2) The output voltage reaches at least 10% and 90% V_{CC} at the specified toggle frequency.

5.11 Typical Characteristics - Outputs

One output loaded at a time.



5.12 POR and BOR⁽¹⁾⁽²⁾

over recommended ranges of supply voltage and operating free-air temperature (unless otherwise noted)

| PARAMETER | | TEST CONDITIONS | V _{CC} | MIN | TYP | MAX | UNIT |
|-------------------------|--|------------------------------|-----------------|-----|----------------------------|-----|------|
| V _{CC(start)} | See Figure 5-8 | dV _{CC} /dt ≤ 3 V/s | | | 0.7 × V _(B_IT-) | | V |
| V _(B_IT-) | See Figure 5-8 through Figure 5-10 | dV _{CC} /dt ≤ 3 V/s | | | 1.35 | | V |
| V _{hys(B_IT-)} | See Figure 5-8 | dV _{CC} /dt ≤ 3 V/s | | | 140 | | mV |
| t _{d(BOR)} | See Figure 5-8 | | | | 2000 | | μs |
| t _(reset) | Pulse duration needed at $\overline{\text{RST}}/\text{NMI}$ pin to accept reset internally | | 2.2 V | 2 | | | μs |

- (1) The current consumption of the brownout module is already included in the I_{CC} current consumption data. The voltage level V_(B_IT-) + V_{hys(B_IT-)} is ≤ 1.8 V.
- (2) During power up, the CPU begins code execution following a period of t_{d(BOR)} after V_{CC} = V_(B_IT-) + V_{hys(B_IT-)}. The default DCO settings must not be changed until V_{CC} ≥ V_{CC(min)}, where V_{CC(min)} is the minimum supply voltage for the desired operating frequency.

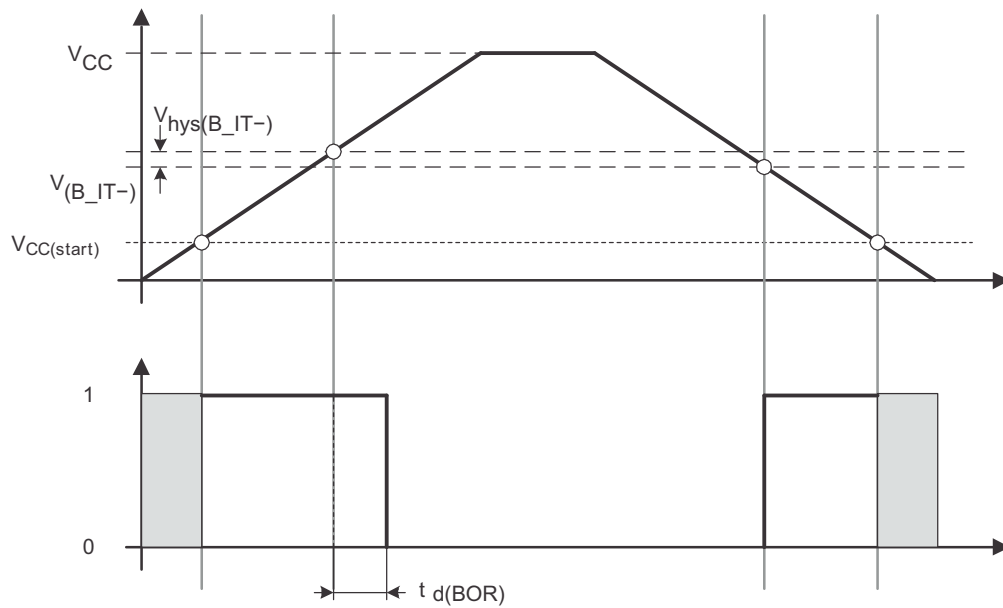


Figure 5-8. POR and BOR vs Supply Voltage

5.13 Typical Characteristics - POR and BOR

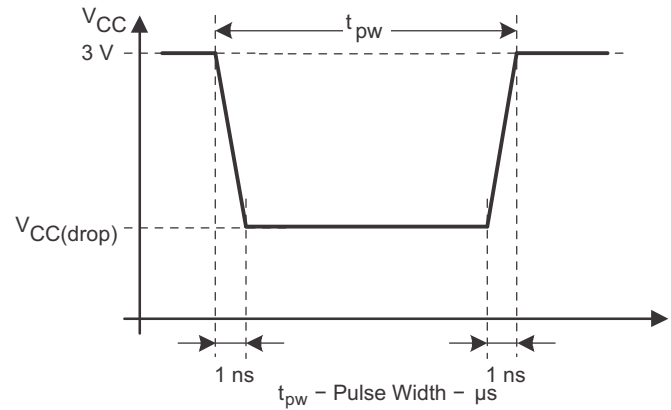
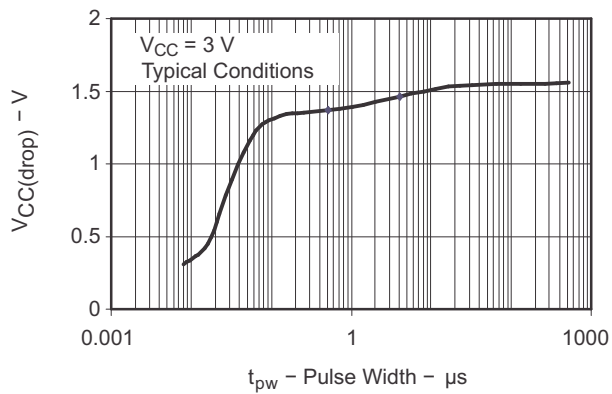


Figure 5-9. V_{CC(drop)} Level With a Square Voltage Drop to Generate a POR or BOR Signal

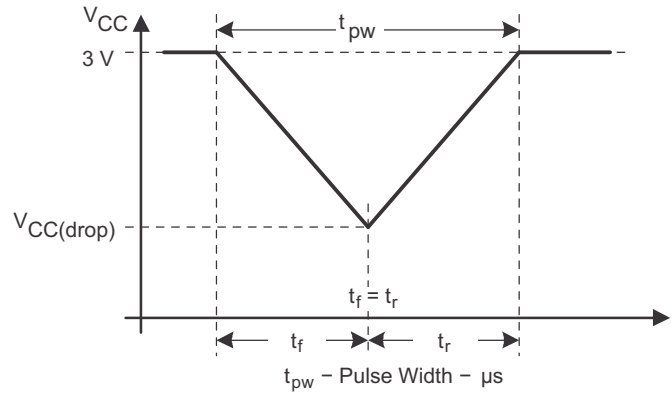
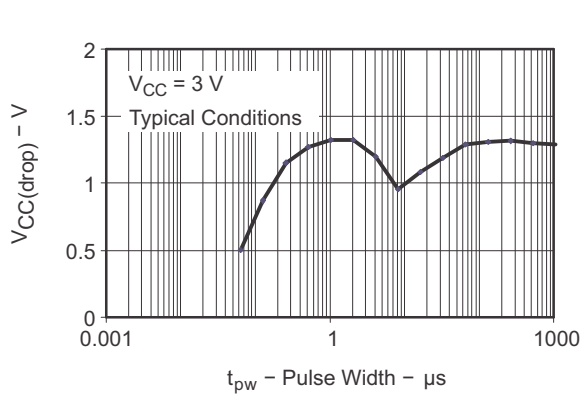


Figure 5-10. V_{CC(drop)} Level With a Triangular Voltage Drop to Generate a POR or BOR Signal

5.14 DCO Frequency

over recommended ranges of supply voltage and operating free-air temperature (unless otherwise noted)

| PARAMETER | | TEST CONDITIONS | V _{CC} | MIN | TYP | MAX | UNIT |
|------------------------|--|---|-----------------|------|------|------|-------|
| V _{CC} | Supply voltage range | RSELx < 14 | | 1.8 | | 3.6 | V |
| | | RSELx = 14 | | 2.2 | | 3.6 | |
| | | RSELx = 15 | | 3.0 | | 3.6 | |
| f _{DCO(0,0)} | DCO frequency (0, 0) | RSELx = 0, DCOx = 0, MODx = 0 | 3 V | 0.06 | | 0.14 | MHz |
| f _{DCO(0,3)} | DCO frequency (0, 3) | RSELx = 0, DCOx = 3, MODx = 0 | 3 V | 0.07 | | 0.17 | MHz |
| f _{DCO(1,3)} | DCO frequency (1, 3) | RSELx = 1, DCOx = 3, MODx = 0 | 3 V | | | | MHz |
| f _{DCO(2,3)} | DCO frequency (2, 3) | RSELx = 2, DCOx = 3, MODx = 0 | 3 V | | | | MHz |
| f _{DCO(3,3)} | DCO frequency (3, 3) | RSELx = 3, DCOx = 3, MODx = 0 | 3 V | | | | MHz |
| f _{DCO(4,3)} | DCO frequency (4, 3) | RSELx = 4, DCOx = 3, MODx = 0 | 3 V | | | | MHz |
| f _{DCO(5,3)} | DCO frequency (5, 3) | RSELx = 5, DCOx = 3, MODx = 0 | 3 V | | | | MHz |
| f _{DCO(6,3)} | DCO frequency (6, 3) | RSELx = 6, DCOx = 3, MODx = 0 | 3 V | 0.54 | | 1.06 | MHz |
| f _{DCO(7,3)} | DCO frequency (7, 3) | RSELx = 7, DCOx = 3, MODx = 0 | 3 V | 0.80 | | 1.50 | MHz |
| f _{DCO(8,3)} | DCO frequency (8, 3) | RSELx = 8, DCOx = 3, MODx = 0 | 3 V | | 1.6 | | MHz |
| f _{DCO(9,3)} | DCO frequency (9, 3) | RSELx = 9, DCOx = 3, MODx = 0 | 3 V | | 2.3 | | MHz |
| f _{DCO(10,3)} | DCO frequency (10, 3) | RSELx = 10, DCOx = 3, MODx = 0 | 3 V | | 3.4 | | MHz |
| f _{DCO(11,3)} | DCO frequency (11, 3) | RSELx = 11, DCOx = 3, MODx = 0 | 3 V | | 4.25 | | MHz |
| f _{DCO(12,3)} | DCO frequency (12, 3) | RSELx = 12, DCOx = 3, MODx = 0 | 3 V | 4.30 | | 7.30 | MHz |
| f _{DCO(13,3)} | DCO frequency (13, 3) | RSELx = 13, DCOx = 3, MODx = 0 | 3 V | 6.00 | | 9.60 | MHz |
| f _{DCO(14,3)} | DCO frequency (14, 3) | RSELx = 14, DCOx = 3, MODx = 0 | 3 V | 8.60 | | 13.9 | MHz |
| f _{DCO(15,3)} | DCO frequency (15, 3) | RSELx = 15, DCOx = 3, MODx = 0 | 3 V | 12.0 | | 18.5 | MHz |
| f _{DCO(15,7)} | DCO frequency (15, 7) | RSELx = 15, DCOx = 7, MODx = 0 | 3 V | 16.0 | | 26.0 | MHz |
| S _{RSEL} | Frequency step between range RSEL and RSEL+1 | S _{RSEL} = f _{DCO(RSEL+1,DCO)} / f _{DCO(RSEL,DCO)} | 3 V | | 1.35 | | ratio |
| S _{DCO} | Frequency step between tap DCO and DCO+1 | S _{DCO} = f _{DCO(RSEL,DCO+1)} / f _{DCO(RSEL,DCO)} | 3 V | | 1.08 | | ratio |
| | Duty cycle | Measured at SMCLK | 3 V | | 50% | | |

5.15 Calibrated DCO Frequencies, Tolerance

over recommended ranges of supply voltage and operating free-air temperature (unless otherwise noted)

| PARAMETER | TEST CONDITIONS | T _A | V _{CC} | MIN | TYP | MAX | UNIT |
|--|---|----------------|-----------------|-----|-------|-----|------|
| 1-MHz tolerance over temperature ⁽¹⁾ | BCSCTL1 = CALBC1_1MHZ, DCOCTL = CALDCO_1MHZ, calibrated at 30°C and 3 V | 0°C to 85°C | 3 V | -3% | ±0.5% | +3% | |
| 1-MHz tolerance over V _{CC} | BCSCTL1 = CALBC1_1MHZ, DCOCTL = CALDCO_1MHZ, calibrated at 30°C and 3 V | 30°C | 1.8 V to 3.6 V | -3% | ±2% | +3% | |
| 1-MHz tolerance overall | BCSCTL1 = CALBC1_1MHZ, DCOCTL = CALDCO_1MHZ, calibrated at 30°C and 3 V | -40°C to 85°C | 1.8 V to 3.6 V | -6% | ±3% | +6% | |
| 8-MHz tolerance over temperature ⁽¹⁾ | BCSCTL1 = CALBC1_8MHZ, DCOCTL = CALDCO_8MHZ, calibrated at 30°C and 3 V | 0°C to 85°C | 3 V | -3% | ±0.5% | +3% | |
| 8-MHz tolerance over V _{CC} | BCSCTL1 = CALBC1_8MHZ, DCOCTL = CALDCO_8MHZ, calibrated at 30°C and 3 V | 30°C | 2.2 V to 3.6 V | -3% | ±2% | +3% | |
| 8-MHz tolerance overall | BCSCTL1 = CALBC1_8MHZ, DCOCTL = CALDCO_8MHZ, calibrated at 30°C and 3 V | -40°C to 85°C | 2.2 V to 3.6 V | -6% | ±3% | +6% | |
| 12-MHz tolerance over temperature ⁽¹⁾ | BCSCTL1 = CALBC1_12MHZ, DCOCTL = CALDCO_12MHZ, calibrated at 30°C and 3 V | 0°C to 85°C | 3 V | -3% | ±0.5% | +3% | |
| 12-MHz tolerance over V _{CC} | BCSCTL1 = CALBC1_12MHZ, DCOCTL = CALDCO_12MHZ, calibrated at 30°C and 3 V | 30°C | 2.7 V to 3.6 V | -3% | ±2% | +3% | |
| 12-MHz tolerance overall | BCSCTL1 = CALBC1_12MHZ, DCOCTL = CALDCO_12MHZ, calibrated at 30°C and 3 V | -40°C to 85°C | 2.7 V to 3.6 V | -6% | ±3% | +6% | |
| 16-MHz tolerance over temperature ⁽¹⁾ | BCSCTL1 = CALBC1_16MHZ, DCOCTL = CALDCO_16MHZ, calibrated at 30°C and 3 V | 0°C to 85°C | 3 V | -3% | ±0.5% | +3% | |
| 16-MHz tolerance over V _{CC} | BCSCTL1 = CALBC1_16MHZ, DCOCTL = CALDCO_16MHZ, calibrated at 30°C and 3 V | 30°C | 3.3 V to 3.6 V | -3% | ±2% | +3% | |
| 16-MHz tolerance overall | BCSCTL1 = CALBC1_16MHZ, DCOCTL = CALDCO_16MHZ, calibrated at 30°C and 3 V | -40°C to 85°C | 3.3 V to 3.6 V | -6% | ±3% | +6% | |

(1) This is the frequency change from the measured frequency at 30°C over temperature.

5.16 Wake-Up From Lower-Power Modes (LPM3, LPM4)

over recommended ranges of supply voltage and operating free-air temperature (unless otherwise noted)

| PARAMETER | TEST CONDITIONS | V _{CC} | MIN | TYP | MAX | UNIT |
|-------------------------|---|-----------------|-----|--|-----|------|
| t _{DCO,LPM3/4} | DCO clock wake-up time from LPM3 or LPM4 ⁽¹⁾ BCSCTL1 = CALBC1_1MHZ, DCOCTL = CALDCO_1MHZ | 3 V | | 1.5 | | μs |
| t _{CPU,LPM3/4} | CPU wake-up time from LPM3 or LPM4 ⁽²⁾ | | | 1 / f _{MCLK} + t _{Clock,LPM3/4} | | |

- (1) The DCO clock wake-up time is measured from the edge of an external wake-up signal (for example, a port interrupt) to the first clock edge observable externally on a clock pin (MCLK or SMCLK).
- (2) Parameter applicable only if DCOCLK is used for MCLK.

5.17 Typical Characteristics - DCO Clock Wake-Up Time From LPM3 or LPM4

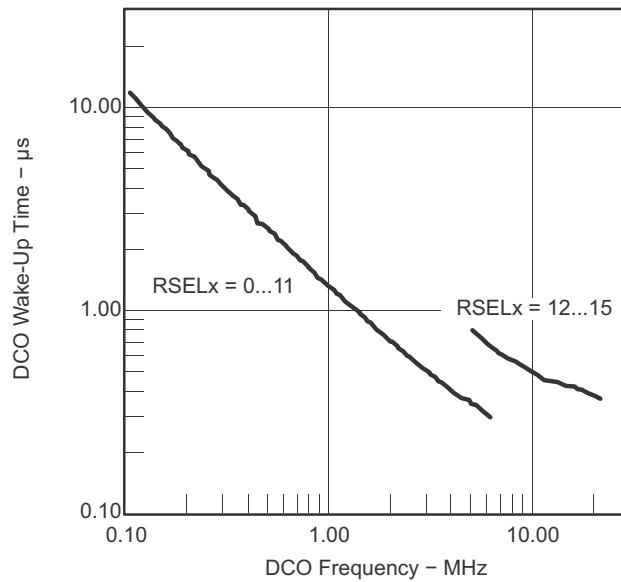


Figure 5-11. Clock Wake-Up Time From LPM3 vs DCO Frequency

5.18 DCO With External Resistor R_{OSC} ⁽¹⁾

over recommended ranges of supply voltage and operating free-air temperature (unless otherwise noted)

| PARAMETER | TEST CONDITIONS | V_{CC} | MIN | TYP | MAX | UNIT |
|----------------|--|--------------|-----|-------------|-----|---------------|
| $f_{DCO,ROSC}$ | DCO output frequency with R_{OSC} DCOR = 1, RSELx = 4, DCOx = 3, MODx = 0, $T_A = 25^\circ C$ | 2.2 V 3 V | | 1.8 1.95 | | MHz |
| D_T | Temperature drift DCOR = 1, RSELx = 4, DCOx = 3, MODx = 0 | 2.2 V, 3 V | | ± 0.1 | | %/ $^\circ C$ |
| D_V | Drift with V_{CC} DCOR = 1, RSELx = 4, DCOx = 3, MODx = 0 | 2.2 V, 3 V | | 10 | | %/V |

(1) $R_{OSC} = 100\text{ k}\Omega$. Metal film resistor, type 0257, 0.6 W with 1% tolerance and $T_K = \pm 50\text{ ppm}/^\circ C$.

5.19 Typical Characteristics - DCO With External Resistor R_{OSC}

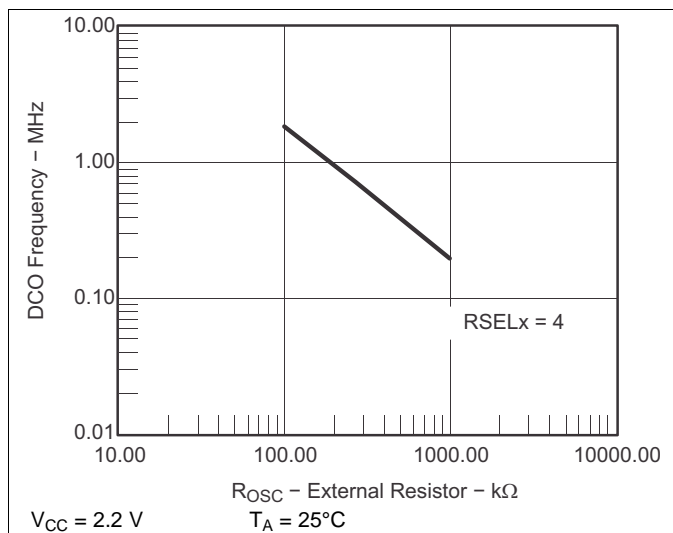


Figure 5-12. DCO Frequency vs R_{osc}

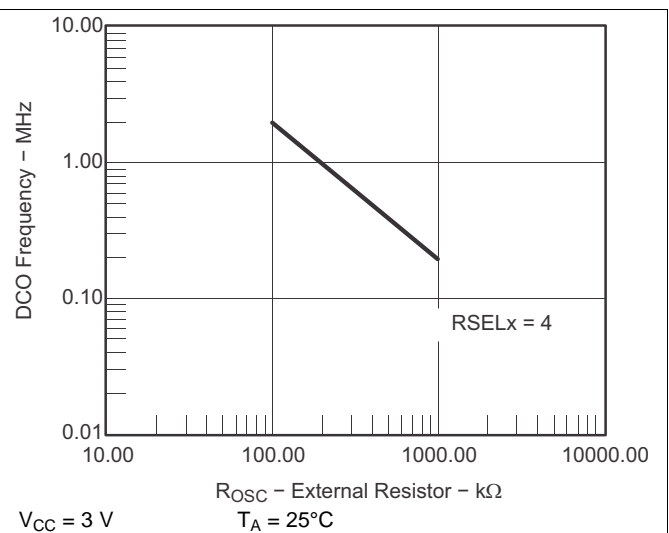


Figure 5-13. DCO Frequency vs R_{osc}

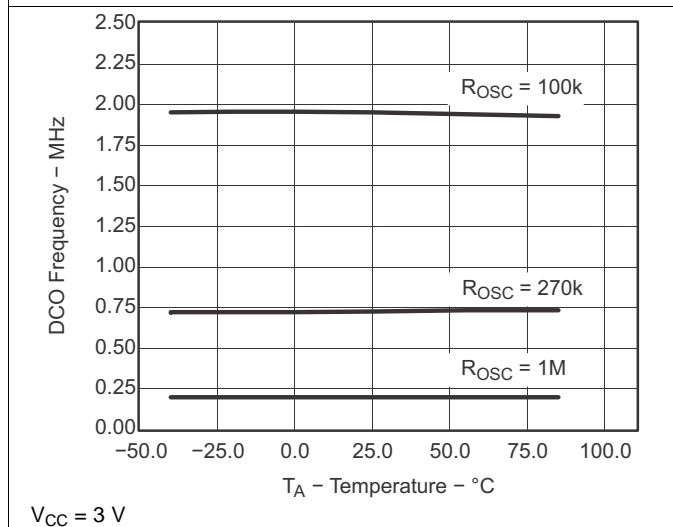


Figure 5-14. DCO Frequency vs Temperature

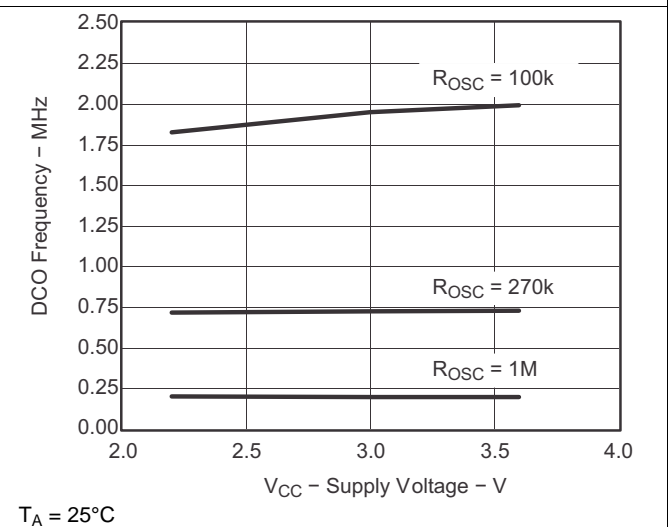


Figure 5-15. DCO Frequency vs Supply Voltage

5.20 Crystal Oscillator LFXT1, Low-Frequency Mode⁽¹⁾

over recommended ranges of supply voltage and operating free-air temperature (unless otherwise noted)

| PARAMETER | | TEST CONDITIONS | V _{CC} | MIN | TYP | MAX | UNIT |
|-----------------------------|---|--|-----------------|-------|-------|-------|------|
| f _{LFXT1,LF} | LFXT1 oscillator crystal frequency, LF mode 0, 1 | XTS = 0, LFXT1Sx = 0 or 1 | 1.8 V to 3.6 V | | 32768 | | Hz |
| f _{LFXT1,LF,logic} | LFXT1 oscillator logic level square wave input frequency, LF mode | XTS = 0, XCAPx = 0, LFXT1Sx = 3 | 1.8 V to 3.6 V | 10000 | 32768 | 50000 | Hz |
| O _{A,LF} | Oscillation allowance for LF crystals | XTS = 0, LFXT1Sx = 0, f _{LFXT1,LF} = 32768 Hz, C _{L,eff} = 6 pF | | | 500 | | kΩ |
| | | XTS = 0, LFXT1Sx = 0, f _{LFXT1,LF} = 32768 Hz, C _{L,eff} = 12 pF | | | 200 | | |
| C _{L,eff} | Integrated effective load capacitance, LF mode ⁽²⁾ | XTS = 0, XCAPx = 0 | | | 1 | | pF |
| | | XTS = 0, XCAPx = 1 | | | 5.5 | | |
| | | XTS = 0, XCAPx = 2 | | | 8.5 | | |
| | | XTS = 0, XCAPx = 3 | | | 11 | | |
| | Duty cycle, LF mode | XTS = 0, Measured at P2.0/ACLK, f _{LFXT1,LF} = 32768 Hz | 2.2 V | 30% | 50% | 70% | |
| f _{Fault,LF} | Oscillator fault frequency, LF mode ⁽³⁾ | XTS = 0, XCAPx = 0, LFXT1Sx = 3 ⁽⁴⁾ | 2.2 V | 10 | | 10000 | Hz |

- (1) To improve EMI on the XT1 oscillator, the following guidelines should be observed.
 - Keep the trace between the device and the crystal as short as possible.
 - Design a good ground plane around the oscillator pins.
 - Prevent crosstalk from other clock or data lines into oscillator pins XIN and XOUT.
 - Avoid running PCB traces underneath or adjacent to the XIN and XOUT pins.
 - Use assembly materials and processes that avoid any parasitic load on the oscillator XIN and XOUT pins.
 - If conformal coating is used, make sure that it does not induce capacitive or resistive leakage between the oscillator pins.
 - Do not route the XOUT line to the JTAG header to support the serial programming adapter as shown in other documentation. This signal is no longer required for the serial programming adapter.
- (2) Includes parasitic bond and package capacitance (approximately 2 pF per pin). Because the PCB adds additional capacitance, it is recommended to verify the correct load by measuring the ACLK frequency. For a correct setup, the effective load capacitance should always match the specification of the crystal that is used.
- (3) Frequencies below the MIN specification set the fault flag. Frequencies above the MAX specification do not set the fault flag. Frequencies between the MIN and MAX specifications might set the flag.
- (4) Measured with logic-level input frequency but also applies to operation with crystals.

5.21 Internal Very-Low-Power Low-Frequency Oscillator (VLO)

over recommended ranges of supply voltage and operating free-air temperature (unless otherwise noted)

| PARAMETER | | T _A | V _{CC} | MIN | TYP | MAX | UNIT |
|-------------------------------------|---|----------------|-----------------|-----|-----|-----|------|
| f _{VLO} | VLO frequency | -40°C to 85°C | 3 V | 4 | 12 | 20 | kHz |
| df _{VLO} /dT | VLO frequency temperature drift ⁽¹⁾ | -40°C to 85°C | 3 V | | 0.5 | | %/°C |
| df _{VLO} /dV _{CC} | VLO frequency supply voltage drift ⁽²⁾ | 25°C | 1.8 V to 3.6 V | | 4 | | %/V |

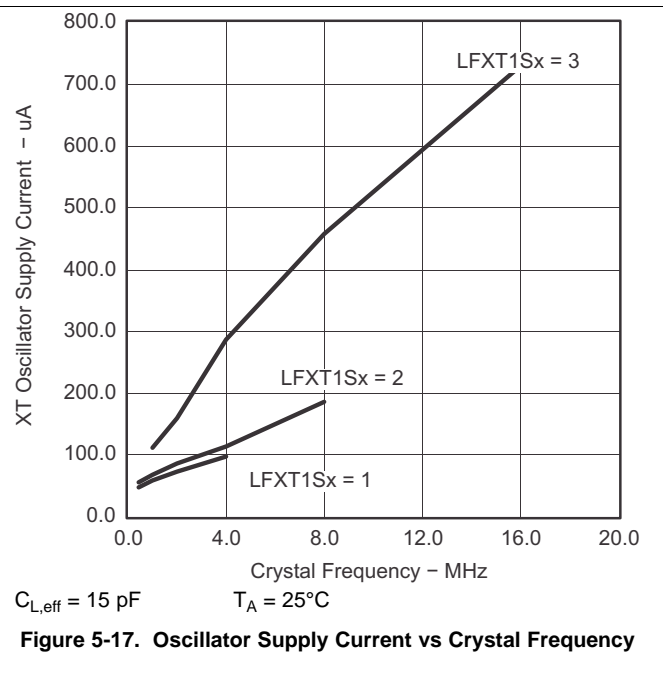
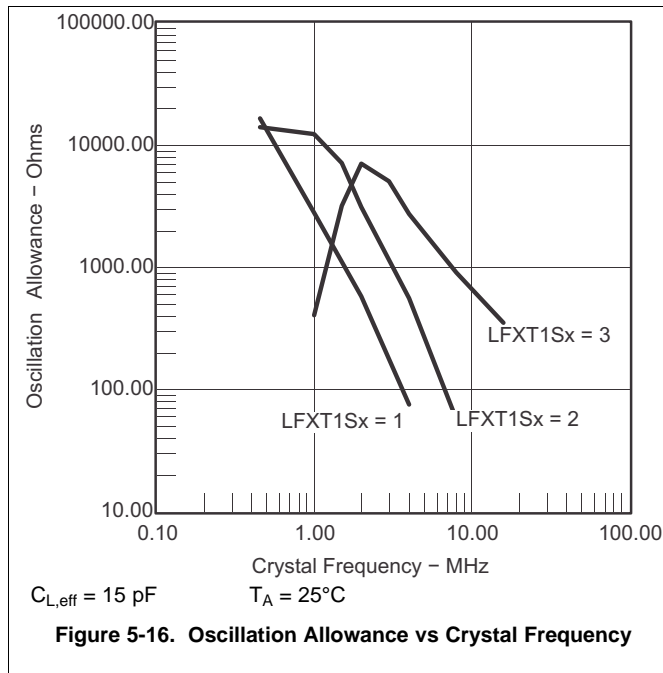
- (1) Calculated using the box method:
I version: [MAX(-40...85°C) - MIN(-40...85°C)]/MIN(-40...85°C)/[85°C - (-40°C)]
- (2) Calculated using the box method: [MAX(1.8...3.6 V) - MIN(1.8...3.6 V)]/MIN(1.8...3.6 V)/(3.6 V - 1.8 V)

5.22 Crystal Oscillator LFXT1, High-Frequency Mode⁽¹⁾

| PARAMETER | | TEST CONDITIONS | V _{CC} | MIN | TYP | MAX | UNIT |
|-----------------------------|---|--|-----------------|-----|------|-----|------|
| f _{LFXT1,HF0} | LFXT1 oscillator crystal frequency, HF mode 0 | XTS = 1, LFXT1Sx = 0 | 1.8 V to 3.6 V | 0.4 | | 1 | MHz |
| f _{LFXT1,HF1} | LFXT1 oscillator crystal frequency, HF mode 1 | XTS = 1, LFXT1Sx = 1 | 1.8 V to 3.6 V | 1 | | 4 | MHz |
| f _{LFXT1,HF2} | LFXT1 oscillator crystal frequency, HF mode 2 | XTS = 1, LFXT1Sx = 2 | 1.8 V to 3.6 V | 2 | | 10 | MHz |
| | | | 2.2 V to 3.6 V | 2 | | 12 | |
| | | | 3 V to 3.6 V | 2 | | 16 | |
| f _{LFXT1,HF,logic} | LFXT1 oscillator logic-level square-wave input frequency, HF mode | XTS = 1, LFXT1Sx = 3 | 1.8 V to 3.6 V | 0.4 | | 10 | MHz |
| | | | 2.2 V to 3.6 V | 0.4 | | 12 | |
| | | | 3 V to 3.6 V | 0.4 | | 16 | |
| O _{AHF} | Oscillation allowance for HF crystals (see Figure 5-16 and Figure 5-17) | XTS = 1, LFXT1Sx = 0, f _{LFXT1,HF} = 1 MHz, C _{L,eff} = 15 pF | | | 2700 | | Ω |
| | | XTS = 1, LFXT1Sx = 1, f _{LFXT1,HF} = 4 MHz, C _{L,eff} = 15 pF | | | 800 | | |
| | | XTS = 1, LFXT1Sx = 2, f _{LFXT1,HF} = 16 MHz, C _{L,eff} = 15 pF | | | 300 | | |
| C _{L,eff} | Integrated effective load capacitance, HF mode ⁽²⁾ | XTS = 1 ⁽³⁾ | | | 1 | | pF |
| | Duty cycle, HF mode | XTS = 1, Measured at P2.0/ACLK, f _{LFXT1,HF} = 10 MHz | 2.2 V | 40% | 50% | 60% | |
| | | XTS = 1, Measured at P2.0/ACLK, f _{LFXT1,HF} = 16 MHz | | 40% | 50% | 60% | |
| f _{Fault,HF} | Oscillator fault frequency ⁽⁴⁾ | XTS = 1, LFXT1Sx = 3 ⁽⁵⁾ | 2.2 V | 30 | | 300 | kHz |

- (1) To improve EMI on the XT1 oscillator the following guidelines should be observed:
- Keep the trace between the device and the crystal as short as possible.
 - Design a good ground plane around the oscillator pins.
 - Prevent crosstalk from other clock or data lines into oscillator pins XIN and XOUT.
 - Avoid running PCB traces underneath or adjacent to the XIN and XOUT pins.
 - Use assembly materials and processes that avoid any parasitic load on the oscillator XIN and XOUT pins.
 - If conformal coating is used, make sure that it does not induce capacitive or resistive leakage between the oscillator pins.
 - Do not route the XOUT line to the JTAG header to support the serial programming adapter as shown in other documentation. This signal is no longer required for the serial programming adapter.
- (2) Includes parasitic bond and package capacitance (approximately 2 pF per pin). Because the PCB adds additional capacitance, it is recommended to verify the correct load by measuring the ACLK frequency. For a correct setup, the effective load capacitance should always match the specification of the used crystal.
- (3) Requires external capacitors at both terminals. Values are specified by crystal manufacturers.
- (4) Frequencies below the MIN specification set the fault flag. Frequencies above the MAX specification do not set the fault flag. Frequencies between the MIN and MAX specifications might set the flag.
- (5) Measured with logic-level input frequency, but also applies to operation with crystals.

5.23 Typical Characteristics - LFXT1 Oscillator in HF Mode (XTS = 1)



5.24 Timer_A, Timer_B

over recommended ranges of supply voltage and operating free-air temperature (unless otherwise noted)

| PARAMETER | | TEST CONDITIONS | V _{CC} | MIN | TYP | MAX | UNIT |
|---------------------|-------------------------|-------------------------------|-----------------|-----|---------------------|-----|------|
| f _{TA} | Timer_A clock frequency | SMCLK, Duty cycle = 50% ± 10% | | | f _{SYSTEM} | | MHz |
| t _{TA,cap} | Timer_A capture timing | TAx, TBx | 3 V | 20 | | | ns |

5.25 USCI (UART Mode)

over recommended ranges of supply voltage and operating free-air temperature (unless otherwise noted)

| PARAMETER | | TEST CONDITIONS | V _{CC} | MIN | TYP | MAX | UNIT |
|-------------------------|---|---|-----------------|-----|---------------------|-----|------|
| f _{USCI} | USCI input clock frequency | Internal: SMCLK, ACLK External: UCLK Duty cycle = 50% ± 10% | | | f _{SYSTEM} | | MHz |
| f _{max,BITCLK} | Maximum BITCLK clock frequency (equals baud rate in MBaud) | | 3 V | 2 | | | MHz |
| t _r | UART receive deglitch time ⁽¹⁾ | | 3 V | 50 | 100 | 600 | ns |

(1) The DCO wake-up time must be considered in LPM3/4 for baud rates above 1 MHz.

5.26 USCI (SPI Master Mode)⁽¹⁾

over recommended ranges of supply voltage and operating free-air temperature (unless otherwise noted)
(see [Figure 5-18](#) and [Figure 5-19](#))

| PARAMETER | TEST CONDITIONS | V _{CC} | MIN | TYP | MAX | UNIT |
|-----------------------|-----------------------------|---|-----|-----|---------------------|------|
| f _{USCI} | USCI input clock frequency | SMCLK, duty cycle = 50% ± 10% | | | f _{SYSTEM} | MHz |
| t _{SU,MI} | SOMI input data setup time | | 3 V | 75 | | ns |
| t _{HD,MI} | SOMI input data hold time | | 3 V | 0 | | ns |
| t _{VALID,MO} | SIMO output data valid time | UCLK edge to SIMO valid, C _L = 20 pF | 3 V | | 20 | ns |

(1) $f_{UCxCLK} = 1/2t_{LO/HI}$ with $t_{LO/HI} \geq \max(t_{VALID,MO}(USCI) + t_{SU,SI}(Slave), t_{SU,MI}(USCI) + t_{VALID,SO}(Slave))$.
For the slave parameters $t_{SU,SI}(Slave)$ and $t_{VALID,SO}(Slave)$, see the SPI parameters of the attached slave.

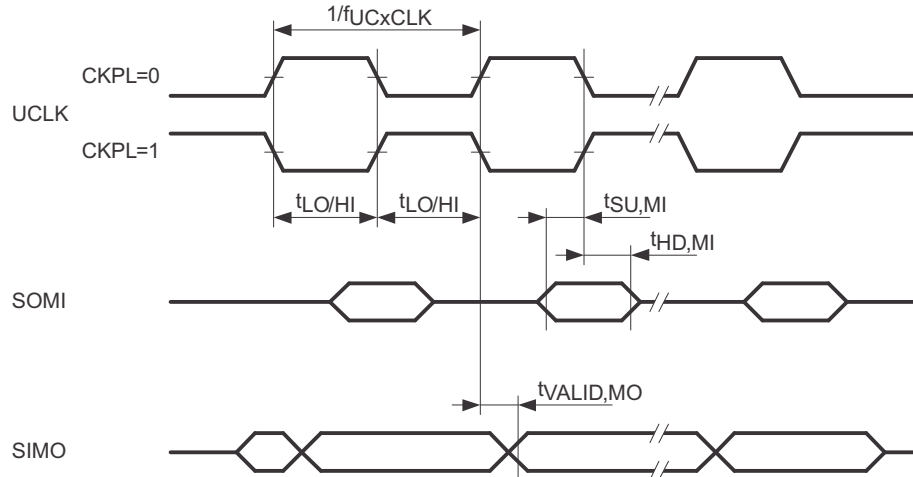


Figure 5-18. SPI Master Mode, CKPH = 0

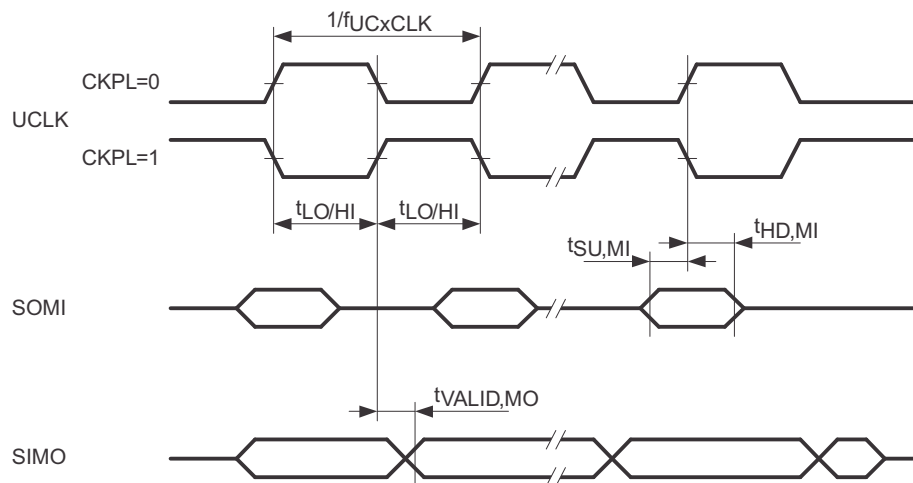


Figure 5-19. SPI Master Mode, CKPH = 1

5.27 USCI (SPI Slave Mode)⁽¹⁾

over recommended ranges of supply voltage and operating free-air temperature (unless otherwise noted)
(see [Figure 5-20](#) and [Figure 5-21](#))

| PARAMETER | TEST CONDITIONS | V _{CC} | MIN | TYP | MAX | UNIT |
|-----------------------|---|---|-----|-----|-----|------|
| t _{STE,LEAD} | STE lead time, STE low to clock | 3 V | | 50 | | ns |
| t _{STE,LAG} | STE lag time, Last clock to STE high | 3 V | 10 | | | ns |
| t _{STE,ACC} | STE access time, STE low to SOMI data out | 3 V | | 50 | | ns |
| t _{STE,DIS} | STE disable time, STE high to SOMI high impedance | 3 V | | 50 | | ns |
| t _{SU,SI} | SIMO input data setup time | 3 V | 15 | | | ns |
| t _{HD,SI} | SIMO input data hold time | 3 V | 10 | | | ns |
| t _{VALID,SO} | SOMI output data valid time | UCLK edge to SOMI valid, C _L = 20 pF | | 50 | 75 | ns |

(1) $f_{UCxCLK} = 1/2t_{LO/HI}$ with $t_{LO/HI} \geq \max(t_{VALID,MO(Master)} + t_{SU,SI(USCI)}, t_{SU,MI(Master)} + t_{VALID,SO(USCI)})$.
For the master's parameters $t_{SU,MI(Master)}$ and $t_{VALID,MO(Master)}$ refer to the SPI parameters of the attached slave.

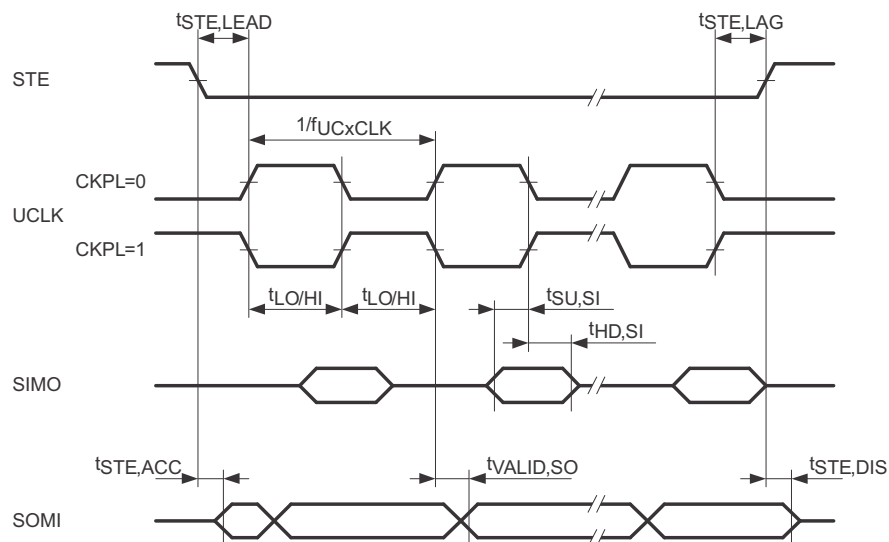


Figure 5-20. SPI Slave Mode, CKPH = 0

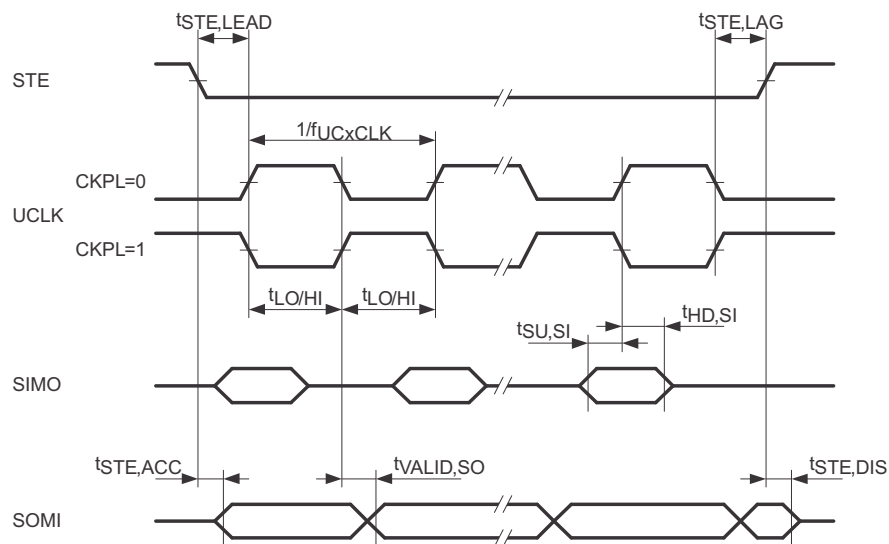


Figure 5-21. SPI Slave Mode, CKPH = 1

5.29 10-Bit ADC, Power Supply and Input Range Conditions⁽¹⁾

over recommended ranges of supply voltage and operating free-air temperature (unless otherwise noted)⁽¹⁾

| PARAMETER | | TEST CONDITIONS | T _A | V _{CC} | MIN | TYP | MAX | UNIT |
|---------------------|---|---|----------------|-----------------|------|------|-----------------|------|
| V _{CC} | Analog supply voltage range | V _{SS} = 0 V | | | 2.2 | | 3.6 | V |
| V _{Ax} | Analog input voltage range ⁽²⁾ | All Ax terminals, Analog inputs selected in ADC10AE register | | 3 V | 0 | | V _{CC} | V |
| I _{ADC10} | ADC10 supply current ⁽³⁾ | f _{ADC10CLK} = 5 MHz, ADC10ON = 1, REFON = 0, ADC10SHT0 = 1, ADC10SHT1 = 0, ADC10DIV = 0 | 25°C | 3 V | | 0.6 | | mA |
| I _{REF+} | Reference supply current, reference buffer disabled ⁽⁴⁾ | f _{ADC10CLK} = 5 MHz, ADC10ON = 0, REF2_5V = 0, REFON = 1, REFOUT = 0 | 25°C | 3 V | 0.25 | | | mA |
| | | f _{ADC10CLK} = 5 MHz, ADC10ON = 0, REF2_5V = 1, REFON = 1, REFOUT = 0 | | | 0.25 | | | |
| I _{REFB,0} | Reference buffer supply current with ADC10SR = 0 ⁽⁴⁾ | f _{ADC10CLK} = 5 MHz, ADC10ON = 0, REFON = 1, REF2_5V = 0, REFOUT = 1, ADC10SR = 0 | 25°C | 3 V | | 1.1 | | mA |
| I _{REFB,1} | Reference buffer supply current with ADC10SR = 1 ⁽⁴⁾ | f _{ADC10CLK} = 5 MHz, ADC10ON = 0, REFON = 1, REF2_5V = 0, REFOUT = 1, ADC10SR = 1 | 25°C | 3 V | | 0.5 | | mA |
| C _I | Input capacitance | Only one terminal Ax selected at a time | 25°C | 3 V | | | 27 | pF |
| R _I | Input MUX ON resistance | 0 V ≤ V _{Ax} ≤ V _{CC} | 25°C | 3 V | | 1000 | | Ω |

- (1) The leakage current is defined in the leakage current table with Px.x/Ax parameter.
- (2) The analog input voltage range must be within the selected reference voltage range V_{R+} to V_{R-} for valid conversion results.
- (3) The internal reference supply current is not included in current consumption parameter I_{ADC10}.
- (4) The internal reference current is supplied from terminal AVCC. Consumption is independent of the ADC10ON control bit, unless a conversion is active. The REFON bit enables the built-in reference to settle before starting an A/D conversion.

5.30 10-Bit ADC, Built-In Voltage Reference

over recommended ranges of supply voltage and operating free-air temperature (unless otherwise noted)

| PARAMETER | | TEST CONDITIONS | V _{CC} | MIN | TYP | MAX | UNIT |
|-----------------------|---|--|-----------------|------|-----|------|--------|
| V _{CC,REF+} | Positive built-in reference analog supply voltage range | I _{VREF+} ≤ 1 mA, REF2_5V = 0 | | 2.2 | | | V |
| | | I _{VREF+} ≤ 1 mA, REF2_5V = 1 | | 2.9 | | | |
| V _{REF+} | Positive built-in reference voltage | I _{VREF+} ≤ I _{VREF+max} , REF2_5V = 0 | 3 V | 1.41 | 1.5 | 1.59 | V |
| | | I _{VREF+} ≤ I _{VREF+max} , REF2_5V = 1 | 3 V | 2.35 | 2.5 | 2.65 | |
| I _{LD,VREF+} | Maximum VREF+ load current | | 3 V | ±1 | | | mA |
| | VREF+ load regulation | I _{VREF+} = 500 μA ± 100 μA, Analog input voltage V _{AX} ≈ 0.75 V, REF2_5V = 0 | 3 V | ±2 | | | LSB |
| | | I _{VREF+} = 500 μA ± 100 μA, Analog input voltage V _{AX} ≈ 1.25 V, REF2_5V = 1 | 3 V | ±2 | | | |
| | VREF+ load regulation response time | I _{VREF+} = 100 μA to 900 μA, V _{AX} ≈ 0.5 × V _{REF+} , Error of conversion result ≤ 1 LSB, ADC10SR = 0 | 3 V | 400 | | | ns |
| C _{VREF+} | Maximum capacitance at pin VREF+ | I _{VREF+} ≤ ±1 mA, REFON = 1, REFOUT = 1 | 3 V | 100 | | | pF |
| TC _{VREF+} | Temperature coefficient ⁽¹⁾ | I _{VREF+} = constant with 0 mA ≤ I _{VREF+} ≤ 1 mA | 3 V | ±100 | | | ppm/°C |
| t _{REFON} | Settling time of internal reference voltage | I _{VREF+} = 0.5 mA, REF2_5V = 0, REFON = 0 to 1 | 3.6 V | 30 | | | μs |
| t _{REFBURST} | Settling time of reference buffer to 99.9% VREF | I _{VREF+} = 0.5 mA, REF2_5V = 1, REFON = 1, REFBURST = 1, ADC10SR = 0 | 3 V | 2 | | | μs |

(1) Calculated using the box method:

I temperature: (MAX(-40 to 85°C) – MIN(-40 to 85°C)) / MIN(-40 to 85°C) / (85°C – (-40°C))

5.31 10-Bit ADC, External Reference⁽¹⁾

over recommended ranges of supply voltage and operating free-air temperature (unless otherwise noted)

| PARAMETER | | TEST CONDITIONS | V _{CC} | MIN | TYP | MAX | UNIT |
|---------------------|---|--|-----------------|-----|-----|-----------------|------|
| V _{eREF+} | Positive external reference input voltage range ⁽²⁾ | V _{eREF+} > V _{eREF-} , SREF1 = 1, SREF0 = 0 | | 1.4 | | V _{CC} | V |
| | | V _{eREF-} ≤ V _{eREF+} ≤ V _{CC} - 0.15 V, SREF1 = 1, SREF0 = 1 ⁽³⁾ | | 1.4 | | 3 | |
| V _{eREF-} | Negative external reference input voltage range ⁽⁴⁾ | V _{eREF+} > V _{eREF-} | | 0 | | 1.2 | V |
| ΔV _{eREF} | Differential external reference input voltage range ΔV _{eREF} = V _{eREF+} - V _{eREF-} | V _{eREF+} > V _{eREF-} ⁽⁵⁾ | | 1.4 | | V _{CC} | V |
| I _{VeREF+} | Static input current into VeREF+ | 0 V ≤ V _{eREF+} ≤ V _{CC} , SREF1 = 1, SREF0 = 0 | 3 V | | ±1 | | μA |
| | | 0 V ≤ V _{eREF+} ≤ V _{CC} - 0.15 V ≤ 3 V, SREF1 = 1, SREF0 = 1 ⁽³⁾ | 3 V | | 0 | | |
| I _{VeREF-} | Static input current into VeREF- | 0 V ≤ V _{eREF-} ≤ V _{CC} | 3 V | | ±1 | | μA |

- (1) The external reference is used during conversion to charge and discharge the capacitance array. The input capacitance, C_I, is also the dynamic load for an external reference during conversion. The dynamic impedance of the reference supply should follow the recommendations on analog-source impedance to allow the charge to settle for 10-bit accuracy.
- (2) The accuracy limits the minimum positive external reference voltage. Lower reference voltage levels may be applied with reduced accuracy requirements.
- (3) Under this condition, the external reference is internally buffered. The reference buffer is active and requires the reference buffer supply current I_{REFB}. The current consumption can be limited to the sample and conversion period with REBURST = 1.
- (4) The accuracy limits the maximum negative external reference voltage. Higher reference voltage levels may be applied with reduced accuracy requirements.
- (5) The accuracy limits the minimum external differential reference voltage. Lower differential reference voltage levels may be applied with reduced accuracy requirements.

5.32 10-Bit ADC, Timing Parameters

over recommended ranges of supply voltage and operating free-air temperature (unless otherwise noted)

| PARAMETER | | TEST CONDITIONS | V _{CC} | MIN | TYP | MAX | UNIT |
|-----------------------|---|---|-----------------|-------------|------|---|------|
| f _{ADC10CLK} | ADC10 input clock frequency | For specified performance of ADC10 linearity parameters | 2.2 V, 3 V | ADC10SR = 0 | 0.45 | 6.3 | MHz |
| | | | | ADC10SR = 1 | 0.45 | 1.5 | |
| f _{ADC10OSC} | ADC10 built-in oscillator frequency | ADC10DIVx = 0, ADC10SSELx = 0, f _{ADC10CLK} = f _{ADC10OSC} | 2.2 V, 3 V | 3.7 | | 6.3 | MHz |
| t _{CONVERT} | Conversion time | ADC10 built-in oscillator, ADC10SSELx = 0, f _{ADC10CLK} = f _{ADC10OSC} | 2.2 V, 3 V | 2.06 | | 3.51 | μs |
| | | f _{ADC10CLK} from ACLK, MCLK or SMCLK, ADC10SSELx ≠ 0 | | | | 13 × ADC10DIVx × 1 / f _{ADC10CLK} | |
| t _{ADC10ON} | Turn on settling time of the ADC ⁽¹⁾ | | | | | 100 | ns |

- (1) The condition is that the error in a conversion started after t_{ADC10ON} is less than ±0.5 LSB. The reference and input signal are already settled.

5.33 10-Bit ADC, Linearity Parameters⁽¹⁾

over recommended ranges of supply voltage and operating free-air temperature (unless otherwise noted)

| PARAMETER | | TEST CONDITIONS | V _{CC} | MIN | TYP | MAX | UNIT |
|----------------|------------------------------|--|-----------------|-----|------|-----|------|
| E _I | Integral linearity error | SREFx = 010 | 3 V | | | ±1 | LSB |
| E _D | Differential linearity error | SREFx = 010 | 3 V | | | ±1 | LSB |
| E _O | Offset error | Source impedance R _S < 100 Ω, SREFx = 010 | 3 V | | | ±1 | LSB |
| E _G | Gain error | SREFx = 010 | 3 V | | ±1.1 | ±2 | LSB |
| E _T | Total unadjusted error | SREFx = 010 | 3 V | | ±2 | ±6 | LSB |

(1) Using the integrated reference buffer (SREFx = 010) increases the gain, and offset and total unadjusted error.

5.34 10-Bit ADC, Temperature Sensor and Built-In V_{MID}⁽¹⁾

over recommended ranges of supply voltage and operating free-air temperature (unless otherwise noted)

| PARAMETER | | TEST CONDITIONS | V _{CC} | MIN | TYP | MAX | UNIT |
|-----------------------------|---|--|-----------------|------|------|----------------|-------|
| I _{SENSOR} | Temperature sensor supply current ⁽¹⁾ | REFON = 0, INCHx = 0Ah, T _A = 25°C | 3 V | | 60 | | μA |
| TC _{SENSOR} | | ADC10ON = 1, INCHx = 0Ah ⁽²⁾ | 3 V | | 3.55 | | mV/°C |
| t _{SENSOR(sample)} | Sample time required if channel 10 is selected ⁽³⁾ | ADC10ON = 1, INCHx = 0Ah, Error of conversion result ≤ 1 LSB | 3 V | 30 | | | μs |
| I _{VMID} | Current into divider at channel 11 | ADC10ON = 1, INCHx = 0Bh | 3 V | | | ⁽³⁾ | μA |
| V _{MID} | V _{CC} divider at channel 11 | ADC10ON = 1, INCHx = 0Bh, V _{MID} ≈ 0.5 × V _{CC} | 3 V | | 1.5 | | V |
| t _{VMID(sample)} | Sample time required if channel 11 is selected ⁽⁴⁾ | ADC10ON = 1, INCHx = 0Bh, Error of conversion result ≤ 1 LSB | 3 V | 1220 | | | ns |

(1) The sensor current I_{SENSOR} is consumed if (ADC10ON = 1 and REFON = 1), or (ADC10ON = 1 and INCH = 0Ah and sample signal is high). When REFON = 1, I_{SENSOR} is included in I_{REF+}. When REFON = 0, I_{SENSOR} applies during conversion of the temperature sensor input (INCH = 0Ah).

(2) The following formula can be used to calculate the temperature sensor output voltage:

$$V_{\text{Sensor,typ}} = TC_{\text{Sensor}} (273 + T [^{\circ}\text{C}]) + V_{\text{Offset,sensor}} [\text{mV}] \text{ or}$$

$$V_{\text{Sensor,typ}} = TC_{\text{Sensor}} T [^{\circ}\text{C}] + V_{\text{Sensor}}(T_A = 0^{\circ}\text{C}) [\text{mV}]$$

(3) No additional current is needed. The V_{MID} is used during sampling.

(4) The on time, t_{VMID(on)}, is included in the sampling time, t_{VMID(sample)}; no additional on time is needed.

5.35 Flash Memory

over recommended ranges of supply voltage and operating free-air temperature (unless otherwise noted)

| PARAMETER | | TEST CONDITIONS | V _{CC} | MIN | TYP | MAX | UNIT |
|-----------------------------|---|-----------------------|-----------------|-----------------|-----------------|-----|------------------|
| V _{CC (PGM/ERASE)} | Program and erase supply voltage | | | 2.2 | | 3.6 | V |
| f _{FTG} | Flash timing generator frequency | | | 257 | | 476 | kHz |
| I _{PGM} | Supply current from V _{CC} during program | | 2.2 V, 3.6 V | | 1 | 5 | mA |
| I _{ERASE} | Supply current from V _{CC} during erase | | 2.2 V, 3.6 V | | 1 | 7 | mA |
| t _{CPT} | Cumulative program time ⁽¹⁾ | | 2.2 V, 3.6 V | | | 10 | ms |
| t _{CMErase} | Cumulative mass erase time | | 2.2 V, 3.6 V | 20 | | | ms |
| | Program and erase endurance | | | 10 ⁴ | 10 ⁵ | | cycles |
| t _{Retention} | Data retention duration | T _J = 25°C | | 100 | | | years |
| t _{Word} | Word or byte program time | (2) | | | 30 | | t _{FTG} |
| t _{Block, 0} | Block program time for first byte or word | (2) | | | 25 | | t _{FTG} |
| t _{Block, 1-63} | Block program time for each additional byte or word | (2) | | | 18 | | t _{FTG} |
| t _{Block, End} | Block program end-sequence wait time | (2) | | | 6 | | t _{FTG} |
| t _{Mass Erase} | Mass erase time | (2) | | | 10593 | | t _{FTG} |
| t _{Seg Erase} | Segment erase time | (2) | | | 4819 | | t _{FTG} |

- (1) The cumulative program time must not be exceeded when writing to a 64-byte flash block. This parameter applies to all programming methods: individual word write, individual byte write, and block write modes.
- (2) These values are hardwired into the state machine of the flash controller (t_{FTG} = 1/f_{FTG}).

5.36 RAM

over recommended ranges of supply voltage and operating free-air temperature (unless otherwise noted)

| PARAMETER | | TEST CONDITIONS | MIN | MAX | UNIT |
|---------------------|---|-----------------|-----|-----|------|
| V _(RAMh) | RAM retention supply voltage ⁽¹⁾ | CPU halted | 1.6 | | V |

- (1) This parameter defines the minimum supply voltage V_{CC} when the data in RAM remains unchanged. No program execution should happen during this supply voltage condition.

5.37 JTAG and Spy-Bi-Wire Interface

over recommended ranges of supply voltage and operating free-air temperature (unless otherwise noted)

| PARAMETER | | V _{CC} | MIN | TYP | MAX | UNIT |
|-----------------------|--|-----------------|-------|-----|-----|------|
| f _{SBW} | Spy-Bi-Wire input frequency | 2.2 V | 0 | | 20 | MHz |
| t _{SBW,Low} | Spy-Bi-Wire low clock pulse duration | 2.2 V | 0.025 | | 15 | μs |
| t _{SBW,En} | Spy-Bi-Wire enable time (TEST high to acceptance of first clock edge ⁽¹⁾) | 2.2 V | | | 1 | μs |
| t _{SBW,Ret} | Spy-Bi-Wire return to normal operation time | 2.2 V | 15 | | 100 | μs |
| f _{TCK} | TCK input frequency ⁽²⁾ | 2.2 V | 0 | | 5 | MHz |
| R _{Internal} | Internal pulldown resistance on TEST | 2.2 V | 25 | 60 | 90 | kΩ |

- (1) Tools accessing the Spy-Bi-Wire interface need to wait for the maximum t_{SBW,En} time after pulling the TEST/SBWTCK pin high before applying the first SBWTCK clock edge.
- (2) f_{TCK} may be restricted to meet the timing requirements of the module selected.

5.38 JTAG Fuse⁽¹⁾

over recommended ranges of supply voltage and operating free-air temperature (unless otherwise noted)

| PARAMETER | | TEST CONDITIONS | MIN | MAX | UNIT |
|---------------------|---|-----------------------|-----|-----|------|
| V _{CC(FB)} | Supply voltage during fuse-blow condition | T _A = 25°C | 2.5 | | V |
| V _{FB} | Voltage level on TEST for fuse blow | | 6 | 7 | V |
| I _{FB} | Supply current into TEST during fuse blow | | | 100 | mA |
| t _{FB} | Time to blow fuse | | | 1 | ms |

- (1) After the fuse is blown, no further access to the JTAG/Test, Spy-Bi-Wire, or emulation feature is possible, and JTAG is switched to bypass mode.

6 Detailed Description

6.1 CPU

The MSP430™ CPU has a 16-bit RISC architecture that is highly transparent to the application. All operations, other than program-flow instructions, are performed as register operations in conjunction with seven addressing modes for source operand and four addressing modes for destination operand.

The CPU is integrated with 16 registers that provide reduced instruction execution time. The register-to-register operation execution time is one cycle of the CPU clock.

Four of the registers, R0 to R3, are dedicated as program counter, stack pointer, status register, and constant generator respectively. The remaining registers are general-purpose registers.

Peripherals are connected to the CPU using data, address, and control buses and can be handled with all instructions.

| | |
|--------------------------|-----------|
| Program Counter | PC/R0 |
| Stack Pointer | SP/R1 |
| Status Register | SR/CG1/R2 |
| Constant Generator | CG2/R3 |
| General-Purpose Register | R4 |
| General-Purpose Register | R5 |
| General-Purpose Register | R6 |
| General-Purpose Register | R7 |
| General-Purpose Register | R8 |
| General-Purpose Register | R9 |
| General-Purpose Register | R10 |
| General-Purpose Register | R11 |
| General-Purpose Register | R12 |
| General-Purpose Register | R13 |
| General-Purpose Register | R14 |
| General-Purpose Register | R15 |

6.2 Instruction Set

The instruction set consists of 51 instructions with three formats and seven address modes. Each instruction can operate on word and byte data. [Table 6-1](#) shows examples of the three types of instruction formats; [Table 6-2](#) shows the address modes.

Table 6-1. Instruction Word Formats

| INSTRUCTION FORMAT | EXAMPLE | OPERATION |
|--|-----------|-----------------------|
| Dual operands, source-destination | ADD R4,R5 | R4 + R5 → R5 |
| Single operands, destination only | CALL R8 | PC → (TOS), R8 → PC |
| Relative jump, unconditional/conditional | JNE | Jump-on-equal bit = 0 |

Table 6-2. Address Mode Descriptions

| ADDRESS MODE | S ⁽¹⁾ | D ⁽²⁾ | SYNTAX | EXAMPLE | OPERATION |
|------------------------|------------------|------------------|-----------------|------------------|-------------------------------|
| Register | ✓ | ✓ | MOV Rs,Rd | MOV R10,R11 | R10 → R11 |
| Indexed | ✓ | ✓ | MOV X(Rn),Y(Rm) | MOV 2(R5),6(R6) | M(2+R5) → M(6+R6) |
| Symbolic (PC relative) | ✓ | ✓ | MOV EDE,TONI | | M(EDE) → M(TONI) |
| Absolute | ✓ | ✓ | MOV &MEM,&TCDAT | | M(MEM) → M(TCDAT) |
| Indirect | ✓ | | MOV @Rn,Y(Rm) | MOV @R10,Tab(R6) | M(R10) → M(Tab+R6) |
| Indirect autoincrement | ✓ | | MOV @Rn+,Rm | MOV @R10+,R11 | M(R10) → R11 R10 + 2 → R10 |
| Immediate | ✓ | | MOV #X,TONI | MOV #45,TONI | #45 → M(TONI) |

(1) S = source

(2) D = destination

6.3 Operating Modes

The MSP430 microcontrollers have one active mode and five software-selectable low-power modes of operation. An interrupt event can wake up the device from any of the five low-power modes, service the request, and restore back to the low-power mode on return from the interrupt program.

The following six operating modes can be configured by software:

- Active mode (AM)
 - All clocks are active.
- Low-power mode 0 (LPM0)
 - CPU is disabled.
 - ACLK and SMCLK remain active.
 - MCLK is disabled.
- Low-power mode 1 (LPM1)
 - CPU is disabled.
 - ACLK and SMCLK remain active.
 - MCLK is disabled.
 - DCO dc-generator is disabled if DCO not used in active mode.
- Low-power mode 2 (LPM2)
 - CPU is disabled.
 - ACLK remains active.
 - MCLK and SMCLK are disabled.
 - DCO dc-generator remains enabled.
- Low-power mode 3 (LPM3)
 - CPU is disabled.
 - ACLK remains active.
 - MCLK and SMCLK are disabled.
 - DCO dc-generator is disabled.
- Low-power mode 4 (LPM4)
 - CPU is disabled.
 - ACLK, MCLK, and SMCLK are disabled.
 - DCO dc-generator is disabled.
 - Crystal oscillator is stopped.

6.4 Interrupt Vector Addresses

The interrupt vectors and the power-up starting address are located in the address range of 0FFFFh to 0FFC0h. The vector contains the 16-bit address of the appropriate interrupt handler instruction sequence.

If the reset vector (located at address 0FFFEh) contains 0FFFFh (for example, if flash is not programmed), the CPU goes into LPM4 immediately after power up.

Table 6-3. Interrupt Vector Addresses

| INTERRUPT SOURCE | INTERRUPT FLAG | SYSTEM INTERRUPT | WORD ADDRESS | PRIORITY |
|---|---|--|------------------|-----------------|
| Power-up External reset Watchdog Flash key violation PC out-of-range ⁽¹⁾ | PORIFG RSTIFG WDTIFG KEYV ⁽²⁾ | Reset | 0FFFEh | 31, highest |
| NMI Oscillator fault Flash memory access violation | NMIIFG OFIFG ACCVIFG ⁽²⁾⁽³⁾ | (non)-maskable, (non)-maskable, (non)-maskable | 0FFFCh | 30 |
| Timer_B3 | TBCCR0 CCIFG ⁽⁴⁾ | maskable | 0FFFAh | 29 |
| Timer_B3 | TBCCR1 and TBCCR2 CCIFGs, TBIFG ⁽²⁾⁽⁴⁾ | maskable | 0FFF8h | 28 |
| | | | 0FFF6h | 27 |
| Watchdog Timer | WDTIFG | maskable | 0FFF4h | 26 |
| Timer_A3 | TACCR0 CCIFG ⁽³⁾ | maskable | 0FFF2h | 25 |
| Timer_A3 | TACCR1 CCIFG TACCR2 CCIFG TAIFG ⁽²⁾⁽⁴⁾ | maskable | 0FFF0h | 24 |
| USCI_A0 or USCI_B0 Receive | UCA0RXIFG, UCB0RXIFG ⁽²⁾ | maskable | 0FFEEh | 23 |
| USCI_A0 or USCI_B0 Transmit | UCA0TXIFG, UCB0TXIFG ⁽²⁾ | maskable | 0FFECh | 22 |
| ADC10 | ADC10IFG ⁽⁴⁾ | maskable | 0FFEAh | 21 |
| | | | 0FFE8h | 20 |
| I/O Port P2 (eight flags) | P2IFG.0 to P2IFG.7 ⁽²⁾⁽⁴⁾ | maskable | 0FFE6h | 19 |
| I/O Port P1 (eight flags) | P1IFG.0 to P1IFG.7 ⁽²⁾⁽⁴⁾ | maskable | 0FFE4h | 18 |
| | | | 0FFE2h | 17 |
| | | | 0FFE0h | 16 |
| ⁽⁵⁾ | | | 0FFDEh | 15 |
| ⁽⁶⁾ | | | 0FFDCh to 0FFC0h | 14 to 0, lowest |

- (1) A reset is generated if the CPU tries to fetch instructions from within the module register memory address range (0h to 01FFh) or from within unused address range.
- (2) Multiple source flags
- (3) (non)-maskable: the individual interrupt-enable bit can disable an interrupt event, but the general interrupt enable cannot. Nonmaskable: neither the individual nor the general interrupt-enable bit will disable an interrupt event.
- (4) Interrupt flags are located in the module.
- (5) This location is used as bootstrap loader security key (BSLSKEY).
A 0AA55h at this location disables the BSL completely.
A zero (0h) disables the erasure of the flash if an invalid password is supplied.
- (6) The interrupt vectors at addresses 0FFDCh to 0FFC0h are not used in this device and can be used for regular program code if necessary.

6.5 Special Function Registers

Most interrupt and module enable bits are collected into the lowest address space. Special function register bits not allocated to a functional purpose are not physically present in the device. Simple software access is provided with this arrangement.

Legend


| | |
|---|---|
| rw | Bit can be read and written. |
| rw-0, 1 | Bit can be read and written. It is Reset or Set by PUC. |
| rw-(0), (1) | Bit can be read and written. It is Reset or Set by POR. |
|  | SFR bit is not present in device. |

Table 6-4. Interrupt Enable 1

| Address | 7 | 6 | 5 | 4 | 3 | 2 | 1 | 0 |
|---------|---|---|--------|-------|---|---|------|-------|
| 00h | | | ACCVIE | NMIIE | | | OFIE | WDTIE |
| | | | rw-0 | rw-0 | | | rw-0 | rw-0 |

| | |
|--------|--|
| WDTIE | Watchdog timer interrupt enable. Inactive if watchdog mode is selected. Active if watchdog timer is configured in interval timer mode. |
| OFIE | Oscillator fault interrupt enable |
| NMIIE | (Non)maskable interrupt enable |
| ACCVIE | Flash access violation interrupt enable |

Table 6-5. Interrupt Enable 2

| Address | 7 | 6 | 5 | 4 | 3 | 2 | 1 | 0 |
|---------|---|---|---|---|----------|----------|----------|----------|
| 01h | | | | | UCB0TXIE | UCB0RXIE | UCA0TXIE | UCA0RXIE |
| | | | | | rw-0 | rw-0 | rw-0 | rw-0 |

| | |
|----------|-----------------------------------|
| UCA0RXIE | USCI_A0 receive-interrupt enable |
| UCA0TXIE | USCI_A0 transmit-interrupt enable |
| UCB0RXIE | USCI_B0 receive-interrupt enable |
| UCB0TXIE | USCI_B0 transmit-interrupt enable |

Table 6-6. Interrupt Flag Register 1

| Address | 7 | 6 | 5 | 4 | 3 | 2 | 1 | 0 |
|---------|---|---|---|--------|--------|--------|-------|--------|
| 02h | | | | NMIIFG | RSTIFG | PORIFG | OFIFG | WDTIFG |
| | | | | rw-0 | rw-(0) | rw-(1) | rw-1 | rw-(0) |

| | |
|--------|--|
| WDTIFG | Set on watchdog timer overflow (in watchdog mode) or security key violation. Reset on V _{CC} power-up or a reset condition at $\overline{\text{RST}}$ /NMI pin in reset mode. |
| OFIFG | Flag set on oscillator fault |
| RSTIFG | External reset interrupt flag. Set on a reset condition at $\overline{\text{RST}}$ /NMI pin in reset mode. Reset on V _{CC} power up. |
| PORIFG | Power-on reset interrupt flag. Set on V _{CC} power up. |
| NMIIFG | Set via $\overline{\text{RST}}$ /NMI pin |

Table 6-7. Interrupt Flag Register 2

| Address | 7 | 6 | 5 | 4 | 3 | 2 | 1 | 0 |
|---------|---|---|---|---|-----------|-----------|-----------|-----------|
| 03h | | | | | UCB0TXIFG | UCB0RXIFG | UCA0TXIFG | UCA0RXIFG |
| | | | | | rw-1 | rw-0 | rw-1 | rw-0 |

| | |
|-----------|---------------------------------|
| UCA0RXIFG | USCI_A0 receive interrupt flag |
| UCA0TXIFG | USCI_A0 transmit interrupt flag |
| UCB0RXIFG | USCI_B0 receive interrupt flag |
| UCB0TXIFG | USCI_B0 transmit interrupt flag |

6.6 Memory Organization

Table 6-8. Memory Organization

| | | MSP430G2444 | MSP430G2544 | MSP430G2744 |
|---|------------------------------|---|--|--|
| Memory Main: interrupt vector Main: code memory | Size Flash Flash | 8KB Flash 0FFFFh-0FFC0h 0FFFFh-0E000h | 16KB Flash 0FFFFh-0FFC0h 0FFFFh-0C000h | 32KB Flash 0FFFFh-0FFC0h 0FFFFh-08000h |
| Information memory | Size Flash | 256 Byte 010FFh-01000h | 256 Byte 010FFh-01000h | 256 Byte 010FFh-01000h |
| Boot memory | Size ROM | 1KB 0FFFh-0C00h | 1KB 0FFFh-0C00h | 1KB 0FFFh-0C00h |
| RAM | Size | 512 Byte 03FFh-0200h | 512 Byte 03FFh-0200h | 1KB 05FFh-0200h |
| Peripherals | 16-bit 8-bit 8-bit SFR | 01FFh-0100h 0FFh-010h 0Fh-00h | 01FFh-0100h 0FFh-010h 0Fh-00h | 01FFh-0100h 0FFh-010h 0Fh-00h |

6.7 Bootstrap Loader (BSL)

The MSP430 bootstrap loader (BSL) enables users to program the flash memory or RAM using a UART serial interface. Access to the MSP430 memory via the BSL is protected by user-defined password. For complete description of the features of the BSL and its implementation, see the *MSP430 Programming Via the Bootstrap Loader User's Guide* ([SLAU319](#)).

Table 6-9. BSL Function Pins

| BSL FUNCTION | DA PACKAGE PINS | RHA PACKAGE PINS | YFF PACKAGE PINS |
|---------------------|------------------------|-------------------------|-------------------------|
| Data transmit | 32 - P1.1 | 30 - P1.1 | G3 - P1.1 |
| Data receive | 10 - P2.2 | 8 - P2.2 | A5 - P2.2 |

6.8 Flash Memory

The flash memory can be programmed via the JTAG port, the bootstrap loader, or in-system by the CPU. The CPU can perform single-byte and single-word writes to the flash memory. Features of the flash memory include:

- Flash memory has n segments of main memory and four segments of information memory (A to D) of 64 bytes each. Each segment in main memory is 512 bytes in size.
- Segments 0 to n may be erased in one step, or each segment may be individually erased.
- Segments A to D can be erased individually, or as a group with segments 0 to n . Segments A to D are also called *information memory*.
- Segment A contains calibration data. After reset, segment A is protected against programming and erasing. It can be unlocked, but care should be taken not to erase this segment if the device-specific calibration data is required.

6.9 Peripherals

Peripherals are connected to the CPU through data, address, and control buses and can be handled using all instructions. For complete module descriptions, see the *MSP430x2xx Family User's Guide* ([SLAU144](#)).

6.10 Oscillator and System Clock

The clock system is supported by the basic clock module that includes support for a 32768-Hz watch crystal oscillator, an internal very-low-power low-frequency oscillator, an internal digitally-controlled oscillator (DCO), and a high-frequency crystal oscillator. The basic clock module is designed to meet the requirements of both low system cost and low power consumption. The internal DCO provides a fast turn-on clock source and stabilizes in less than 1 μ s. The basic clock module provides the following clock signals:

- Auxiliary clock (ACLK), sourced from a 32768-Hz watch crystal, a high-frequency crystal, or the internal very-low-power LF oscillator.
- Main clock (MCLK), the system clock used by the CPU.
- Sub-Main clock (SMCLK), the sub-system clock used by the peripheral modules.

**Table 6-10. DCO Calibration Data
(Provided From Factory in Flash Information Memory Segment A)**

| DCO FREQUENCY | CALIBRATION REGISTER | SIZE | ADDRESS |
|---------------|----------------------|------|---------|
| 1 MHz | CALBC1_1MHZ | byte | 010FFh |
| | CALDCO_1MHZ | byte | 010FEh |
| 8 MHz | CALBC1_8MHZ | byte | 010FDh |
| | CALDCO_8MHZ | byte | 010FCh |
| 12 MHz | CALBC1_12MHZ | byte | 010FBh |
| | CALDCO_12MHZ | byte | 010FAh |
| 16 MHz | CALBC1_16MHZ | byte | 010F9h |
| | CALDCO_16MHZ | byte | 010F8h |

6.11 Brownout

The brownout circuit is implemented to provide the proper internal reset signal to the device during power on and power off.

6.12 Digital I/O

There are four 8-bit I/O ports implemented—ports P1, P2, P3, and P4:

- All individual I/O bits are independently programmable.
- Any combination of input, output, and interrupt condition is possible.
- Edge-selectable interrupt input capability for all eight bits of port P1 and P2.
- Read and write access to port-control registers is supported by all instructions.
- Each I/O has an individually programmable pullup or pulldown resistor.

6.13 Watchdog Timer (WDT+)

The primary function of the WDT+ module is to perform a controlled system restart after a software problem occurs. If the selected time interval expires, a system reset is generated. If the watchdog function is not needed in an application, the module can be disabled or configured as an interval timer and can generate interrupts at selected time intervals.

6.14 Timer_A3

Timer_A3 is a 16-bit timer/counter with three capture/compare registers. Timer_A3 can support multiple capture/comparers, PWM outputs, and interval timing. Timer_A3 also has extensive interrupt capabilities. Interrupts may be generated from the counter on overflow conditions and from each of the capture/compare registers.

Table 6-11. Timer_A3 Signal Connections

| INPUT PIN NUMBER | | | | DEVICE INPUT SIGNAL | MODULE INPUT NAME | MODULE BLOCK | MODULE OUTPUT SIGNAL | OUTPUT PIN NUMBER | | | |
|------------------|-----------|-----------|-----------|---------------------------|-------------------------|-----------------|----------------------------|-------------------|-----------|-----------|-----------|
| DA | N | RHA | YFF | | | | | DA | N | RHA | YFF |
| 31 - P1.0 | 33 - P1.0 | 29 - P1.0 | F2 - P1.0 | TACLK | TACLK | Timer | NA | | | | |
| | | | | ACLK | ACLK | | | | | | |
| | | | | SMCLK | SMCLK | | | | | | |
| 9 - P2.1 | 11 - P2.1 | 7 - P2.1 | B4 - P2.1 | TAINCLK | INCLK | | | | | | |
| 32 - P1.1 | 34 - P1.1 | 30 - P1.1 | G2 - P1.1 | TA0 | CCI0A | CCR0 | TA0 | 32 - P1.1 | 34 - P1.1 | 30 - P1.1 | G2 - P1.1 |
| 10 - P2.2 | 12 - P2.2 | 8 - P2.2 | A5 - P2.2 | TA0 | CCI0B | | | 10 - P2.2 | 12 - P2.2 | 8 - P2.2 | A5 - P2.2 |
| | | | | V _{SS} | GND | | | 36 - P1.5 | 38 - P1.5 | 34 - P1.5 | E1 - P1.5 |
| | | | | V _{CC} | V _{CC} | | | | | | |
| 33 - P1.2 | 35 - P1.2 | 31 - P1.2 | E2 - P1.2 | TA1 | CCI1A | CCR1 | TA1 | 33 - P1.2 | 35 - P1.2 | 31 - P1.2 | E2 - P1.2 |
| 29 - P2.3 | 31 - P2.3 | 27 - P2.3 | F3 - P2.3 | TA1 | CCI1B | | | 29 - P2.3 | 31 - P2.3 | 27 - P2.3 | F3 - P2.3 |
| | | | | V _{SS} | GND | | | 37 - P1.6 | 39 - P1.6 | 35 - P1.6 | E3 - P1.6 |
| | | | | V _{CC} | V _{CC} | | | | | | |
| 34 - P1.3 | 36 - P1.3 | 32 - P1.3 | G1 - P1.3 | TA2 | CCI2A | CCR2 | TA2 | 34 - P1.3 | 36 - P1.3 | 32 - P1.3 | G1 - P1.3 |
| | | | | ACLK (internal) | CCI2B | | | 30 - P2.4 | 32 - P2.4 | 28 - P2.4 | G3 - P2.4 |
| | | | | V _{SS} | GND | | | 38 - P1.7 | 40 - P1.7 | 36 - P1.7 | D2 - P1.7 |
| | | | | V _{CC} | V _{CC} | | | | | | |

6.15 Timer_B3

Timer_B3 is a 16-bit timer/counter with three capture/compare registers. Timer_B3 can support multiple capture/compares, PWM outputs, and interval timing. Timer_B3 also has extensive interrupt capabilities. Interrupts may be generated from the counter on overflow conditions and from each of the capture/compare registers.

Table 6-12. Timer_B3 Signal Connections

| INPUT PIN NUMBER | | | | DEVICE INPUT SIGNAL | MODULE INPUT NAME | MODULE BLOCK | MODULE OUTPUT SIGNAL | OUTPUT PIN NUMBER | | | |
|------------------|-----------|-----------|-----------|---------------------------|-------------------------|-----------------|----------------------------|-------------------|-----------|-----------|-----------|
| DA | N | RHA | YFF | | | | | DA | N | RHA | YFF |
| 24 - P4.7 | 26 - P4.7 | 22 - P4.7 | F5 - P4.7 | TBCLK | TBCLK | Timer | NA | | | | |
| | | | | ACLK | ACLK | | | | | | |
| | | | | SMCLK | SMCLK | | | | | | |
| 24 - P4.7 | 26 - P4.7 | 22 - P4.7 | F5 - P4.7 | TBCLK | INCLK | | | | | | |
| 17 - P4.0 | 19 - P4.0 | 15 - P4.0 | D6 - P4.0 | TB0 | CCI0A | CCR0 | TB0 | 17 - P4.0 | 19 - P4.0 | 15 - P4.0 | D6 - P4.0 |
| 20 - P4.3 | 22 - P4.3 | 18 - P4.3 | E7 - P4.3 | TB0 | CCI0B | | | 20 - P4.3 | 22 - P4.3 | 18 - P4.3 | E7 - P4.3 |
| | | | | V _{SS} | GND | | | | | | |
| | | | | V _{CC} | V _{CC} | | | | | | |
| 18 - P4.1 | 21 - P4.1 | 16 - P4.1 | D7 - P4.1 | TB1 | CCI1A | CCR1 | TB1 | 18 - P4.1 | 20 - P4.1 | 16 - P4.1 | D7 - P4.1 |
| 21 - P4.4 | 23 - P4.4 | 19 - P4.4 | F7 - P4.4 | TB1 | CCI1B | | | 21 - P4.4 | 23 - P4.4 | 19 - P4.4 | F7 - P4.4 |
| | | | | V _{SS} | GND | | | | | | |
| | | | | V _{CC} | V _{CC} | | | | | | |
| 19 - P4.2 | 21 - P4.2 | 17 - P4.2 | E6 - P4.2 | TB2 | CCI2A | CCR2 | TB2 | 19 - P4.2 | 21 - P4.2 | 17 - P4.2 | E6 - P4.2 |
| | | | | ACLK (internal) | CCI2B | | | 22 - P4.5 | 24 - P4.5 | 20 - P4.5 | F6 - P4.5 |
| | | | | V _{SS} | GND | | | | | | |
| | | | | V _{CC} | V _{CC} | | | | | | |

6.16 Universal Serial Communications Interface (USCI)

The USCI module is used for serial data communication. The USCI module supports synchronous communication protocols like SPI (3 or 4 pin), I2C and asynchronous communication protocols such as UART, enhanced UART with automatic baudrate detection (LIN), and IrDA.

USCI_A0 provides support for SPI (3 or 4 pin), UART, enhanced UART, and IrDA.

USCI_B0 provides support for SPI (3 or 4 pin) and I2C.

6.17 ADC10

The ADC10 module supports fast, 10-bit analog-to-digital conversions. The module implements a 10-bit SAR core, sample select control, reference generator and data transfer controller, or DTC, for automatic conversion result handling allowing ADC samples to be converted and stored without any CPU intervention.

6.18 Peripheral File Map

Table 6-13 lists the peripheral registers that have word access, and Table 6-14 lists the peripheral registers that have byte access.

Table 6-13. Peripherals With Word Access

| MODULE | REGISTER NAME | ACRONYM | ADDRESS OFFSET |
|------------------------|--------------------------------------|-----------|----------------|
| ADC10 | ADC data transfer start address | ADC10SA | 1BCh |
| | ADC memory | ADC10MEM | 1B4h |
| | ADC control register 1 | ADC10CTL1 | 1B2h |
| | ADC control register 0 | ADC10CTL0 | 1B0h |
| | ADC analog enable 0 | ADC10AE0 | 04Ah |
| | ADC analog enable 1 | ADC10AE1 | 04Bh |
| | ADC data transfer control register 1 | ADC10DTC1 | 049h |
| | ADC data transfer control register 0 | ADC10DTC0 | 048h |
| Timer_B | Capture/compare register | TBCCR2 | 0196h |
| | Capture/compare register | TBCCR1 | 0194h |
| | Capture/compare register | TBCCR0 | 0192h |
| | Timer_B register | TBR | 0190h |
| | Capture/compare control | TBCCTL2 | 0186h |
| | Capture/compare control | TBCCTL1 | 0184h |
| | Capture/compare control | TBCCTL0 | 0182h |
| | Timer_B control | TBCTL | 0180h |
| | Timer_B interrupt vector | TBIV | 011Eh |
| Timer_A | Capture/compare register | TACCR2 | 0176h |
| | Capture/compare register | TACCR1 | 0174h |
| | Capture/compare register | TACCR0 | 0172h |
| | Timer_A register | TAR | 0170h |
| | Capture/compare control | TACCTL2 | 0166h |
| | Capture/compare control | TACCTL1 | 0164h |
| | Capture/compare control | TACCTL0 | 0162h |
| | Timer_A control | TACTL | 0160h |
| | Timer_A interrupt vector | TAIV | 012Eh |
| Flash Memory | Flash control 3 | FCTL3 | 012Ch |
| | Flash control 2 | FCTL2 | 012Ah |
| | Flash control 1 | FCTL1 | 0128h |
| Watchdog Timer+ | Watchdog/timer control | WDTCTL | 0120h |

Table 6-14. Peripherals With Byte Access

| MODULE | REGISTER NAME | ACRONYM | ADDRESS OFFSET |
|------------------------------|--------------------------------|------------------------------|----------------|
| USCI_B0 | USCI_B0 transmit buffer | UCB0TXBUF | 06Fh |
| | USCI_B0 receive buffer | UCB0RXBUF | 06Eh |
| | USCI_B0 status | UCB0STAT | 06Dh |
| | USCI_B0 bit rate control 1 | UCB0BR1 | 06Bh |
| | USCI_B0 bit rate control 0 | UCB0BR0 | 06Ah |
| | USCI_B0 control 1 | UCB0CTL1 | 069h |
| | USCI_B0 control 0 | UCB0CTL0 | 068h |
| | USCI_B0 I2C slave address | UCB0SA | 011Ah |
| | USCI_B0 I2C own address | UCB0OA | 0118h |
| USCI_A0 | USCI_A0 transmit buffer | UCA0TXBUF | 067h |
| | USCI_A0 receive buffer | UCA0RXBUF | 066h |
| | USCI_A0 status | UCA0STAT | 065h |
| | USCI_A0 modulation control | UCA0MCTL | 064h |
| | USCI_A0 baud rate control 1 | UCA0BR1 | 063h |
| | USCI_A0 baud rate control 0 | UCA0BR0 | 062h |
| | USCI_A0 control 1 | UCA0CTL1 | 061h |
| | USCI_A0 control 0 | UCA0CTL0 | 060h |
| | USCI_A0 IrDA receive control | UCA0IRRCTL | 05Fh |
| | USCI_A0 IrDA transmit control | UCA0IRTCTL | 05Eh |
| | USCI_A0 auto baud rate control | UCA0ABCTL | 05Dh |
| | Basic Clock System+ | Basic clock system control 3 | BCSCTL3 |
| Basic clock system control 2 | | BCSCTL2 | 058h |
| Basic clock system control 1 | | BCSCTL1 | 057h |
| DCO clock frequency control | | DCOCTL | 056h |
| Port P4 | Port P4 resistor enable | P4REN | 011h |
| | Port P4 selection | P4SEL | 01Fh |
| | Port P4 direction | P4DIR | 01Eh |
| | Port P4 output | P4OUT | 01Dh |
| | Port P4 input | P4IN | 01Ch |
| Port P3 | Port P3 resistor enable | P3REN | 010h |
| | Port P3 selection | P3SEL | 01Bh |
| | Port P3 direction | P3DIR | 01Ah |
| | Port P3 output | P3OUT | 019h |
| | Port P3 input | P3IN | 018h |
| Port P2 | Port P2 resistor enable | P2REN | 02Fh |
| | Port P2 selection | P2SEL | 02Eh |
| | Port P2 interrupt enable | P2IE | 02Dh |
| | Port P2 interrupt edge select | P2IES | 02Ch |
| | Port P2 interrupt flag | P2IFG | 02Bh |
| | Port P2 direction | P2DIR | 02Ah |
| | Port P2 output | P2OUT | 029h |
| | Port P2 input | P2IN | 028h |

Table 6-14. Peripherals With Byte Access (continued)

| MODULE | REGISTER NAME | ACRONYM | ADDRESS OFFSET |
|-------------------------|-------------------------------|---------|----------------|
| Port P1 | Port P1 resistor enable | P1REN | 027h |
| | Port P1 selection | P1SEL | 026h |
| | Port P1 interrupt enable | P1IE | 025h |
| | Port P1 interrupt edge select | P1IES | 024h |
| | Port P1 interrupt flag | P1IFG | 023h |
| | Port P1 direction | P1DIR | 022h |
| | Port P1 output | P1OUT | 021h |
| | Port P1 input | P1IN | 020h |
| Special Function | SFR interrupt flag 2 | IFG2 | 003h |
| | SFR interrupt flag 1 | IFG1 | 002h |
| | SFR interrupt enable 2 | IE2 | 001h |
| | SFR interrupt enable 1 | IE1 | 000h |

6.19 Port Schematics

6.19.1 Port P1 Pin Schematic: P1.0 to P1.3, Input/Output With Schmitt Trigger

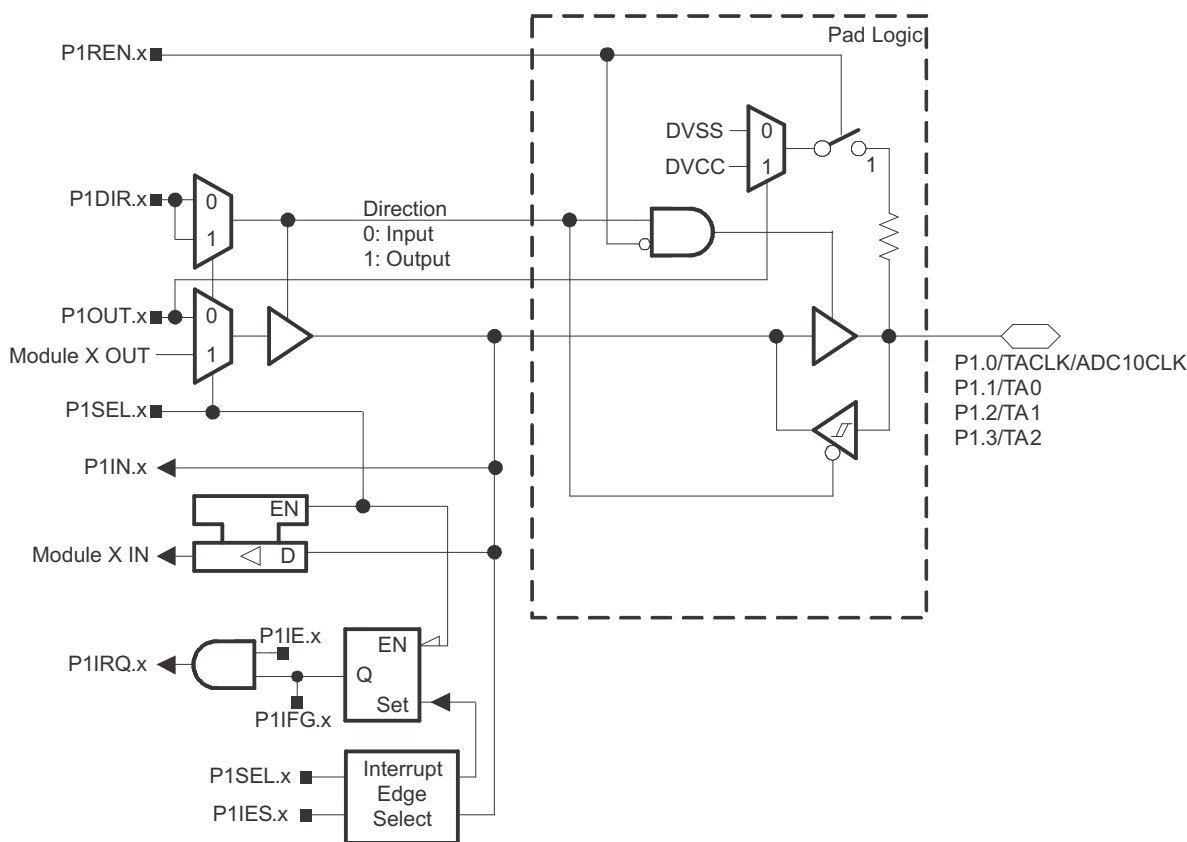


Table 6-15. Port P1 (P1.0 to P1.3) Pin Functions

| PIN NAME (P1.x) | x | FUNCTION | CONTROL BITS OR SIGNALS | |
|---------------------|---|---------------------------|-------------------------|---------|
| | | | P1DIR.x | P1SEL.x |
| P1.0/TACLK/ADC10CLK | 0 | P1.0 ⁽¹⁾ | I: 0; O: 1 | 0 |
| | | Timer_A3.TACLK | 0 | 1 |
| | | ADC10CLK | 1 | 1 |
| P1.1/TA0 | 1 | P1.1 ⁽¹⁾ (I/O) | I: 0; O: 1 | 0 |
| | | Timer_A3.CCI0A | 0 | 1 |
| | | Timer_A3.TA0 | 1 | 1 |
| P1.2/TA1 | 2 | P1.2 ⁽¹⁾ (I/O) | I: 0; O: 1 | 0 |
| | | Timer_A3.CCI1A | 0 | 1 |
| | | Timer_A3.TA1 | 1 | 1 |
| P1.3/TA2 | 3 | P1.3 ⁽¹⁾ (I/O) | I: 0; O: 1 | 0 |
| | | Timer_A3.CCI2A | 0 | 1 |
| | | Timer_A3.TA2 | 1 | 1 |

(1) Default after reset (PUC, POR)

6.19.2 Port P1 Pin Schematic: P1.4 to P1.6, Input/Output With Schmitt Trigger and In-System Access Features

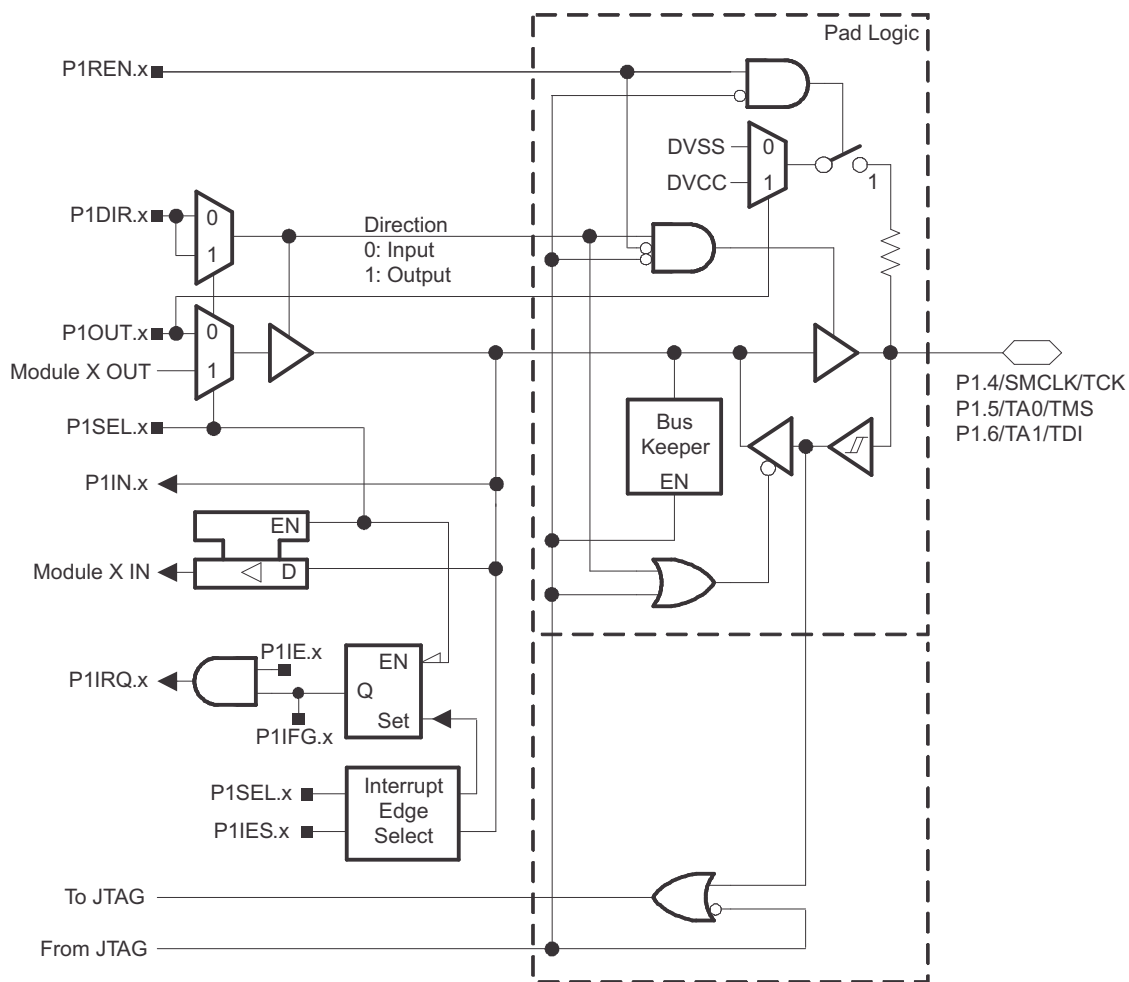


Table 6-16. Port P1 (P1.4 to P1.6) Pin Functions

| PIN NAME (P1.x) | x | FUNCTION | CONTROL BITS OR SIGNALS ⁽¹⁾ | | |
|-------------------|---|---------------------------|--|---------|-------------|
| | | | P1DIR.x | P1SEL.x | 4-Wire JTAG |
| P1.4/SMCLK/TCK | 4 | P1.4 ⁽²⁾ (I/O) | I: 0; O: 1 | 0 | 0 |
| | | SMCLK | 1 | 1 | 0 |
| | | TCK | X | X | 1 |
| P1.5/TA0/TMS | 5 | P1.5 ⁽²⁾ (I/O) | I: 0; O: 1 | 0 | 0 |
| | | Timer_A3.TA0 | 1 | 1 | 0 |
| | | TMS | X | X | 1 |
| P1.6/TA1/TDI/TCLK | 6 | P1.6 ⁽²⁾ (I/O) | I: 0; O: 1 | 0 | 0 |
| | | Timer_A3.TA1 | 1 | 1 | 0 |
| | | TDI/TCLK ⁽³⁾ | X | X | 1 |

(1) X = Don't care

(2) Default after reset (PUC, POR)

(3) Function controlled by JTAG

6.19.3 Port P1 Pin Schematic: P1.7, Input/Output With Schmitt Trigger and In-System Access Features

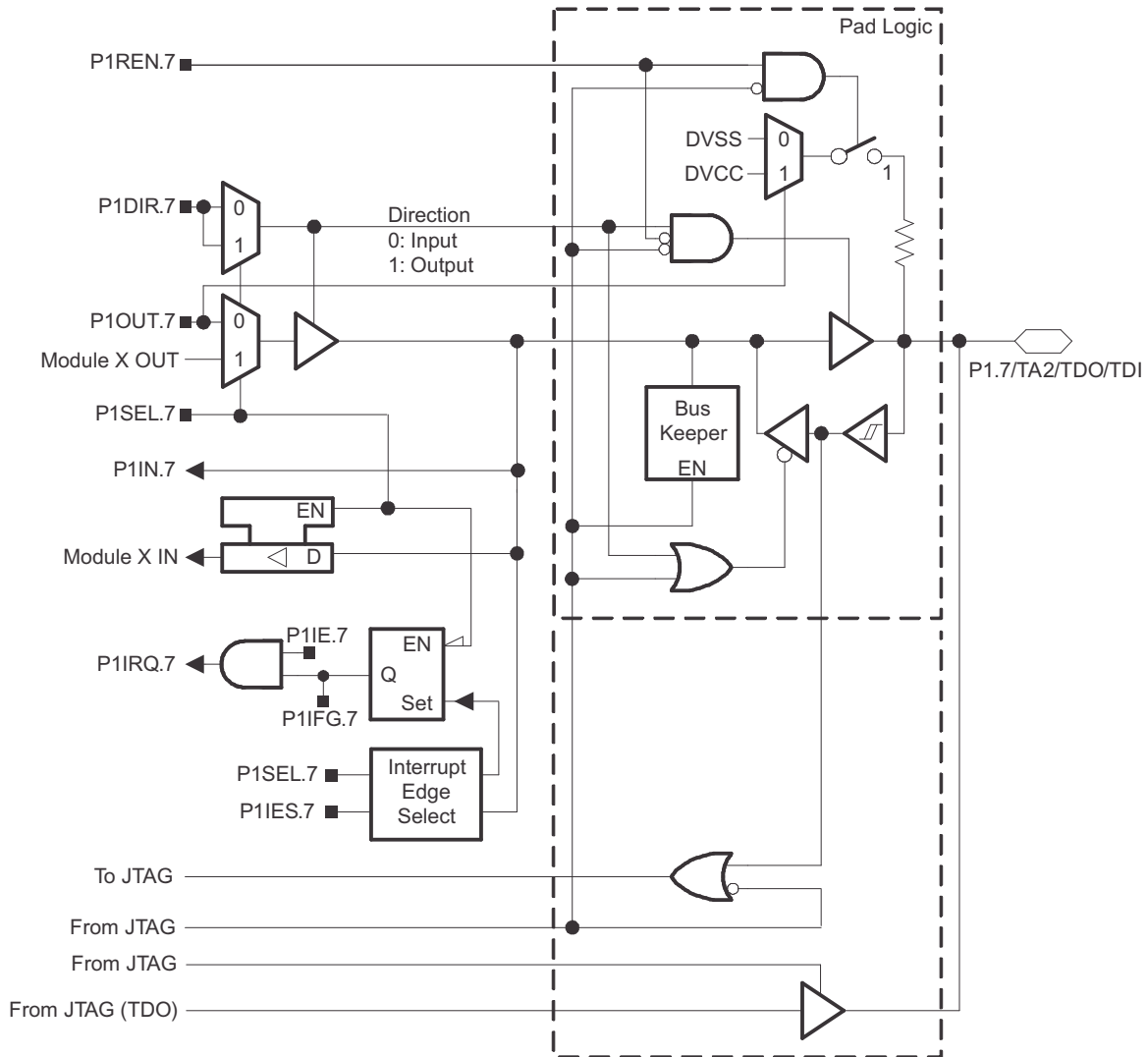


Table 6-17. Port P1 (P1.7) Pin Functions

| PIN NAME (P1.x) | x | FUNCTION | CONTROL BITS OR SIGNALS ⁽¹⁾ | | |
|------------------|---|---------------------------|--|---------|-------------|
| | | | P1DIR.x | P1SEL.x | 4-Wire JTAG |
| P1.7/TA2/TDO/TDI | 7 | P1.7 ⁽²⁾ (I/O) | I: 0; O: 1 | 0 | 0 |
| | | Timer_A3.TA2 | 1 | 1 | 0 |
| | | TDO/TDI ⁽³⁾ | X | X | 1 |

(1) X = Don't care

(2) Default after reset (PUC, POR)

(3) Function controlled by JTAG

6.19.4 Port P2 Pin Schematic: P2.0, P2.2, Input/Output With Schmitt Trigger

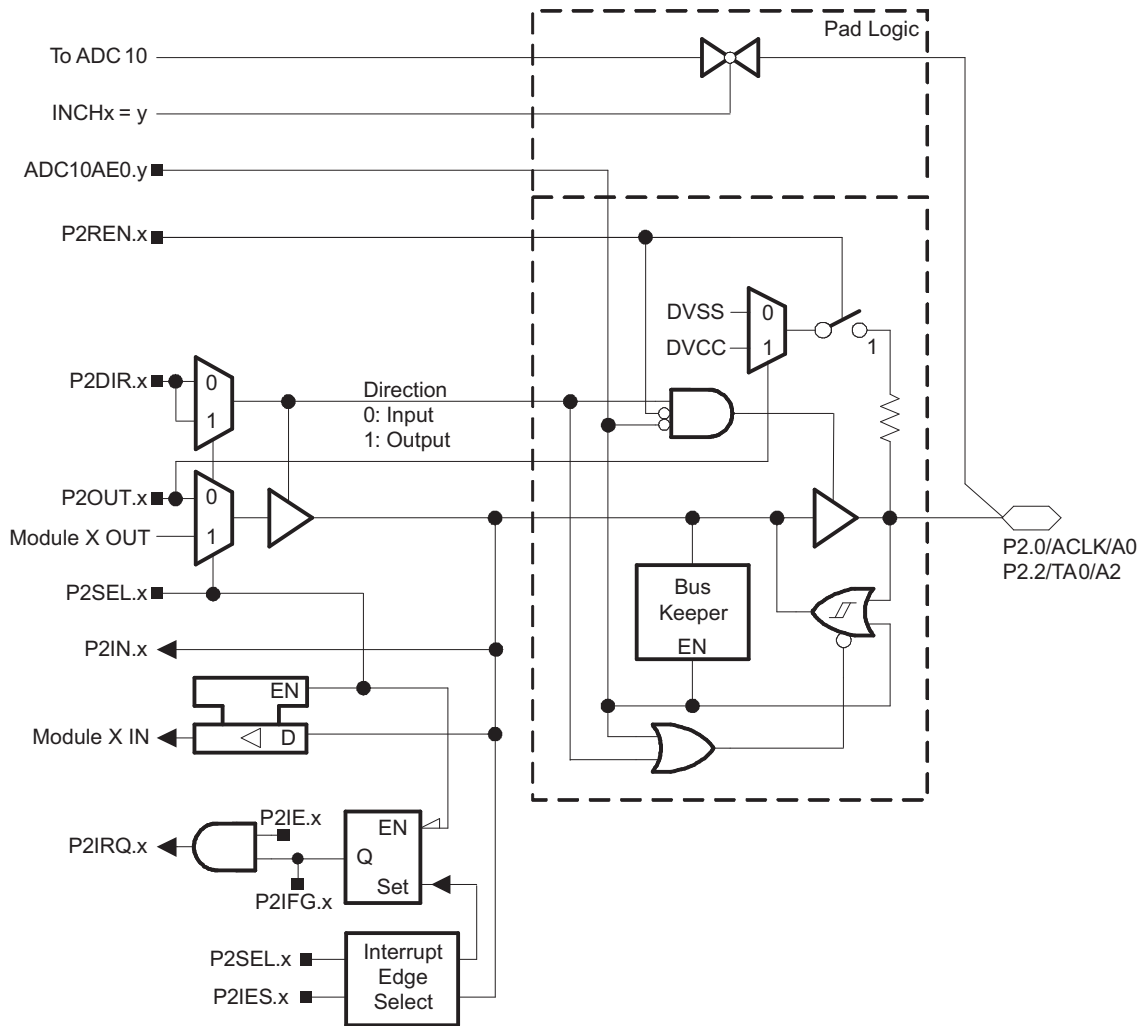


Table 6-18. Port P2 (P2.0, P2.2) Pin Functions

| Pin Name (P2.x) | x | y | FUNCTION | CONTROL BITS OR SIGNALS ⁽¹⁾ | | |
|-----------------|---|---|---------------------------|--|---------|------------|
| | | | | P2DIR.x | P2SEL.x | ADC10AE0.y |
| P2.0/ACLK/A0 | 0 | 0 | P2.0 ⁽²⁾ (I/O) | I: 0; O: 1 | 0 | 0 |
| | | | ACLK | 1 | 1 | 0 |
| | | | A0 ⁽³⁾ | X | X | 1 |
| P2.2/TA0/A2 | 2 | 2 | P2.2 ⁽²⁾ (I/O) | I: 0; O: 1 | 0 | 0 |
| | | | Timer_A3.CCI0B | 0 | 1 | 0 |
| | | | Timer_A3.TA0 | 1 | 1 | 0 |
| | | | A2 ⁽³⁾ | X | X | 1 |

(1) X = Don't care

(2) Default after reset (PUC, POR)

(3) Setting the ADC10AE0.y bit disables the output driver and the input Schmitt trigger to prevent parasitic cross currents when applying analog signals.

6.19.5 Port P2 Pin Schematic: P2.1, Input/Output With Schmitt Trigger

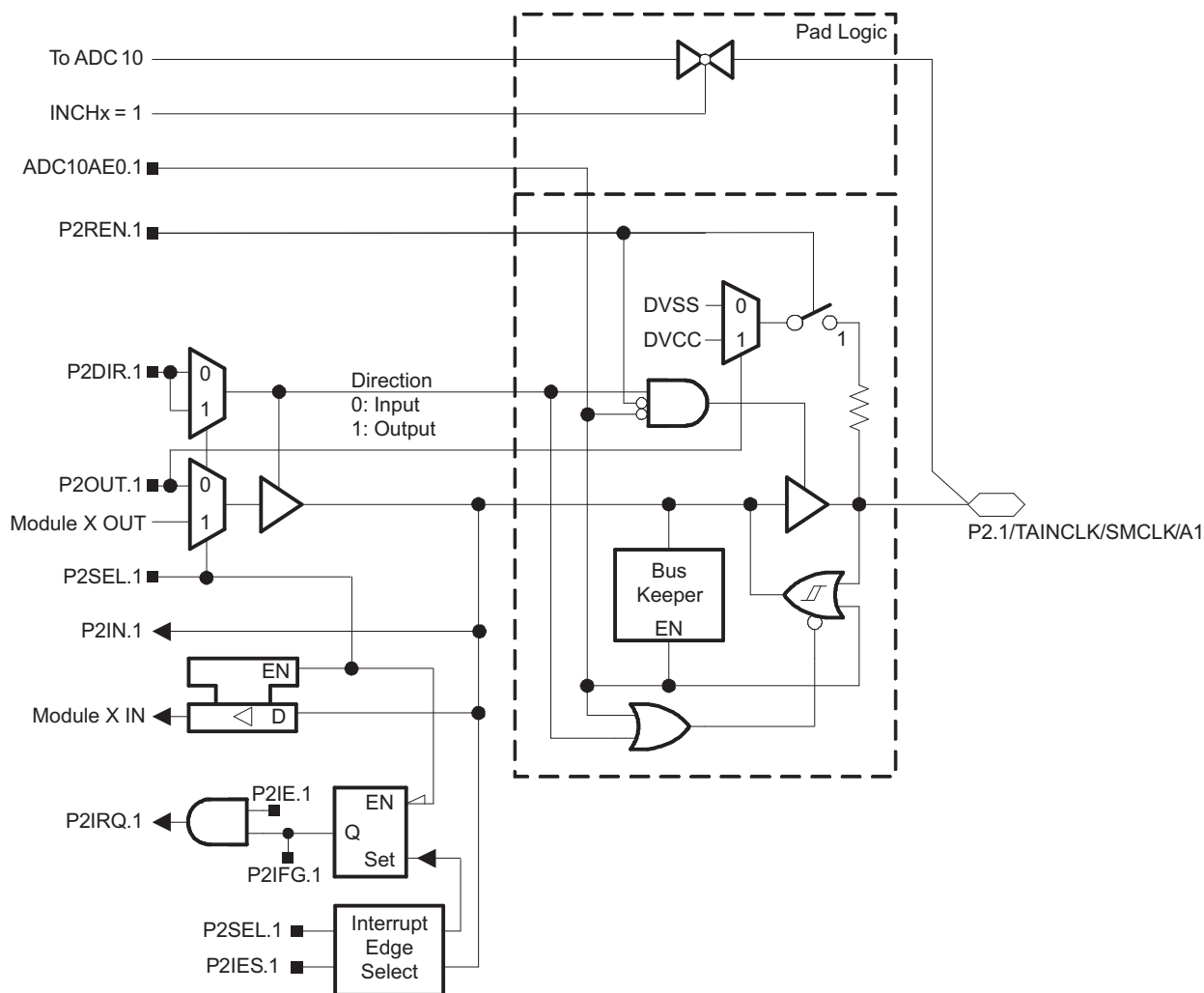


Table 6-19. Port P2 (P2.1) Pin Functions

| PIN NAME (P2.x) | x | y | FUNCTION | CONTROL BITS OR SIGNALS ⁽¹⁾ | | |
|---------------------------|---|---|---------------------------|--|---------|------------|
| | | | | P2DIR.x | P2SEL.x | ADC10AE0.y |
| P2.1/TAINCLK/ SMCLK/A1 | 1 | 1 | P2.1 ⁽²⁾ (I/O) | I: 0; O: 1 | 0 | 0 |
| | | | Timer_A3.INCLK | 0 | 1 | 0 |
| | | | SMCLK | 1 | 1 | 0 |
| | | | A1 ⁽³⁾ | X | X | 1 |

(1) X = Don't care

(2) Default after reset (PUC, POR)

(3) Setting the ADC10AE0.y bit disables the output driver and the input Schmitt trigger to prevent parasitic cross currents when applying analog signals.

6.19.6 Port P2 Pin Schematic: P2.3, Input/Output With Schmitt Trigger

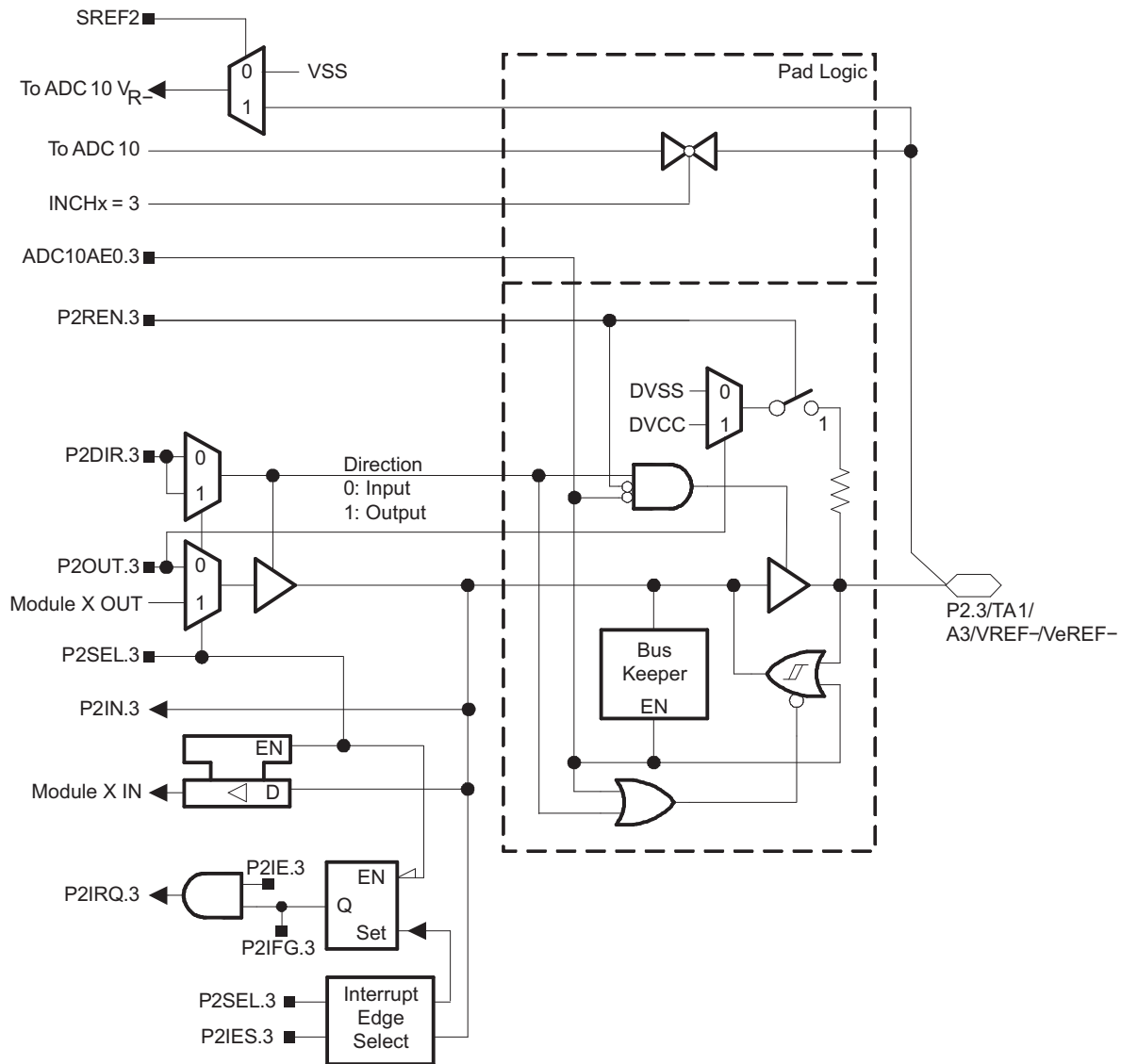


Table 6-20. Port P2 (P2.3) Pin Functions

| PIN NAME (P2.x) | x | y | FUNCTION | CONTROL BITS OR SIGNALS ⁽¹⁾ | | |
|----------------------------|---|---|--------------------------------|--|---------|------------|
| | | | | P2DIR.x | P2SEL.x | ADC10AE0.y |
| P2.3/TA1/A3/ VREF- /VeREF- | 3 | 3 | P2.3 ⁽²⁾ (I/O) | I: 0; O: 1 | 0 | 0 |
| | | | Timer_A3.CC1B | 0 | 1 | 0 |
| | | | Timer_A3.TA1 | 1 | 1 | 0 |
| | | | A3/VREF-/VeREF- ⁽³⁾ | X | X | 1 |

(1) X = Don't care

(2) Default after reset (PUC, POR)

(3) Setting the ADC10AE0.y bit disables the output driver and the input Schmitt trigger to prevent parasitic cross currents when applying analog signals.

6.19.7 Port P2 Pin Schematic: P2.4, Input/Output With Schmitt Trigger

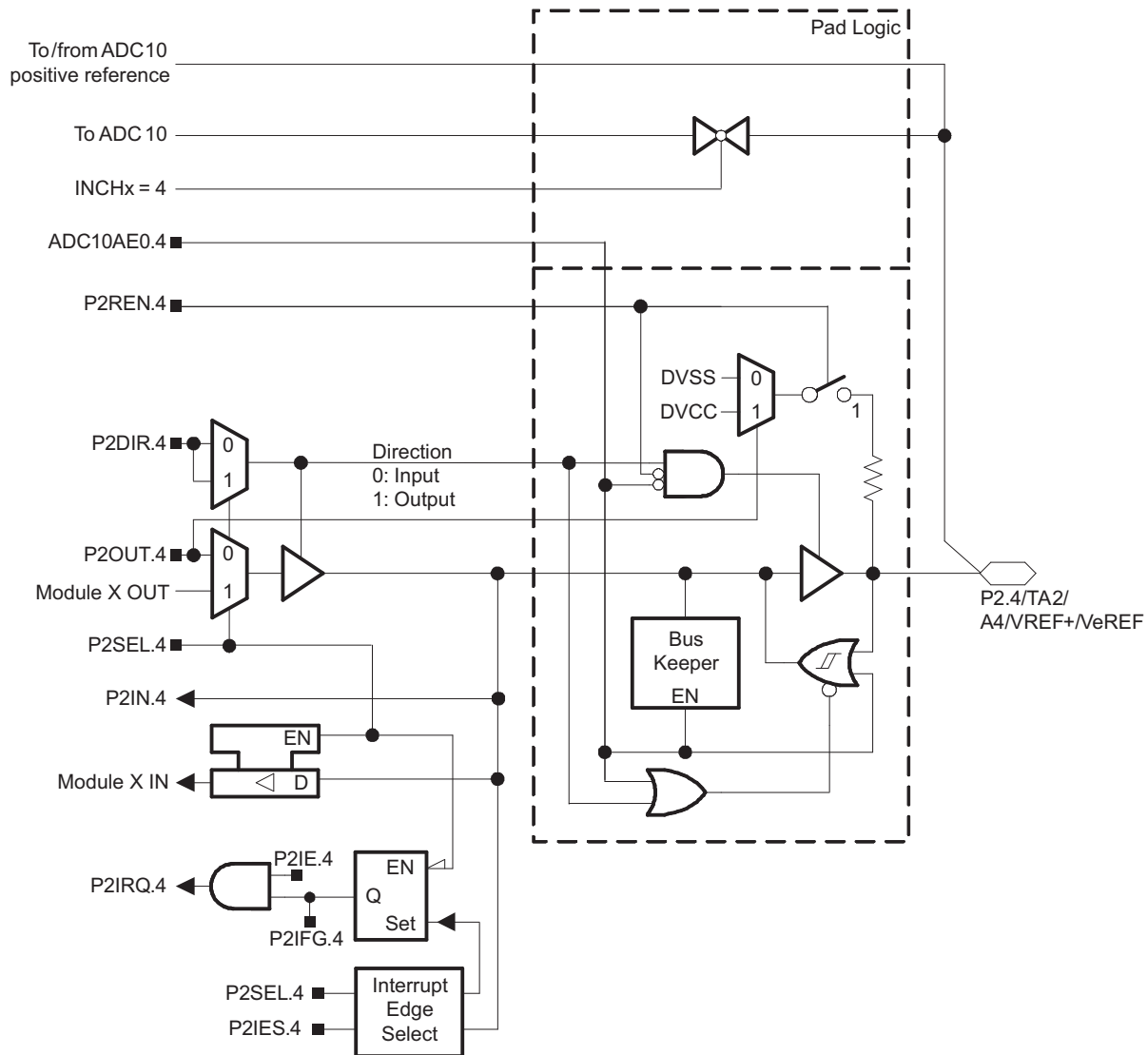


Table 6-21. Port P2 (P2.4) Pin Functions

| PIN NAME (P2.x) | x | y | FUNCTION | CONTROL BITS OR SIGNALS ⁽¹⁾ | | |
|--------------------------|---|---|--------------------------------|--|---------|------------|
| | | | | P2DIR.x | P2SEL.x | ADC10AE0.y |
| P2.4/TA2/A4/VREF+/VeREF+ | 4 | 4 | P2.4 ⁽²⁾ (I/O) | I: 0; O: 1 | 0 | 0 |
| | | | Timer_A3.TA2 | 1 | 1 | 0 |
| | | | A4/VREF+/VeREF+ ⁽³⁾ | X | X | 1 |

(1) X = Don't care

(2) Default after reset (PUC, POR)

(3) Setting the ADC10AE0.y bit disables the output driver and the input Schmitt trigger to prevent parasitic cross currents when applying analog signals.

6.19.8 Port P2 Pin Schematic: P2.5, Input/Output With Schmitt Trigger and External R_{OSC} for DCO

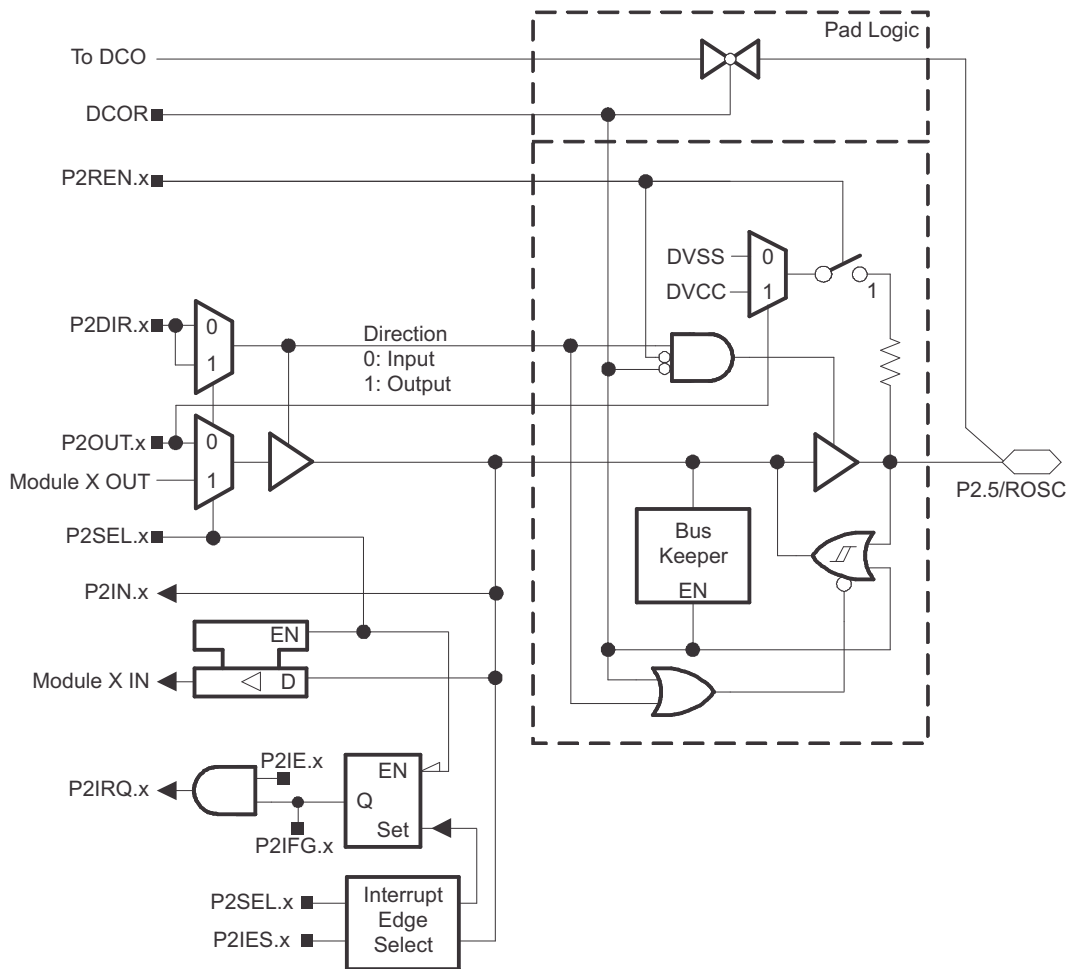


Table 6-22. Port P2 (P2.5) Pin Functions

| PIN NAME (P2.x) | x | FUNCTION | CONTROL BITS OR SIGNALS ⁽¹⁾ | | |
|-----------------------|---|---------------------------|--|---------|------|
| | | | P2DIR.x | P2SEL.x | DCOR |
| P2.5/R _{osc} | 5 | P2.5 ⁽²⁾ (I/O) | I: 0; O: 1 | 0 | 0 |
| | | N/A ⁽³⁾ | 0 | 1 | 0 |
| | | DV _{ss} | 1 | 1 | 0 |
| | | R _{osc} | X | X | 1 |

(1) X = Don't care
 (2) Default after reset (PUC, POR)
 (3) N/A = Not available or not applicable

6.19.9 Port P2 Pin Schematic: P2.6, Input/Output With Schmitt Trigger and Crystal Oscillator Input

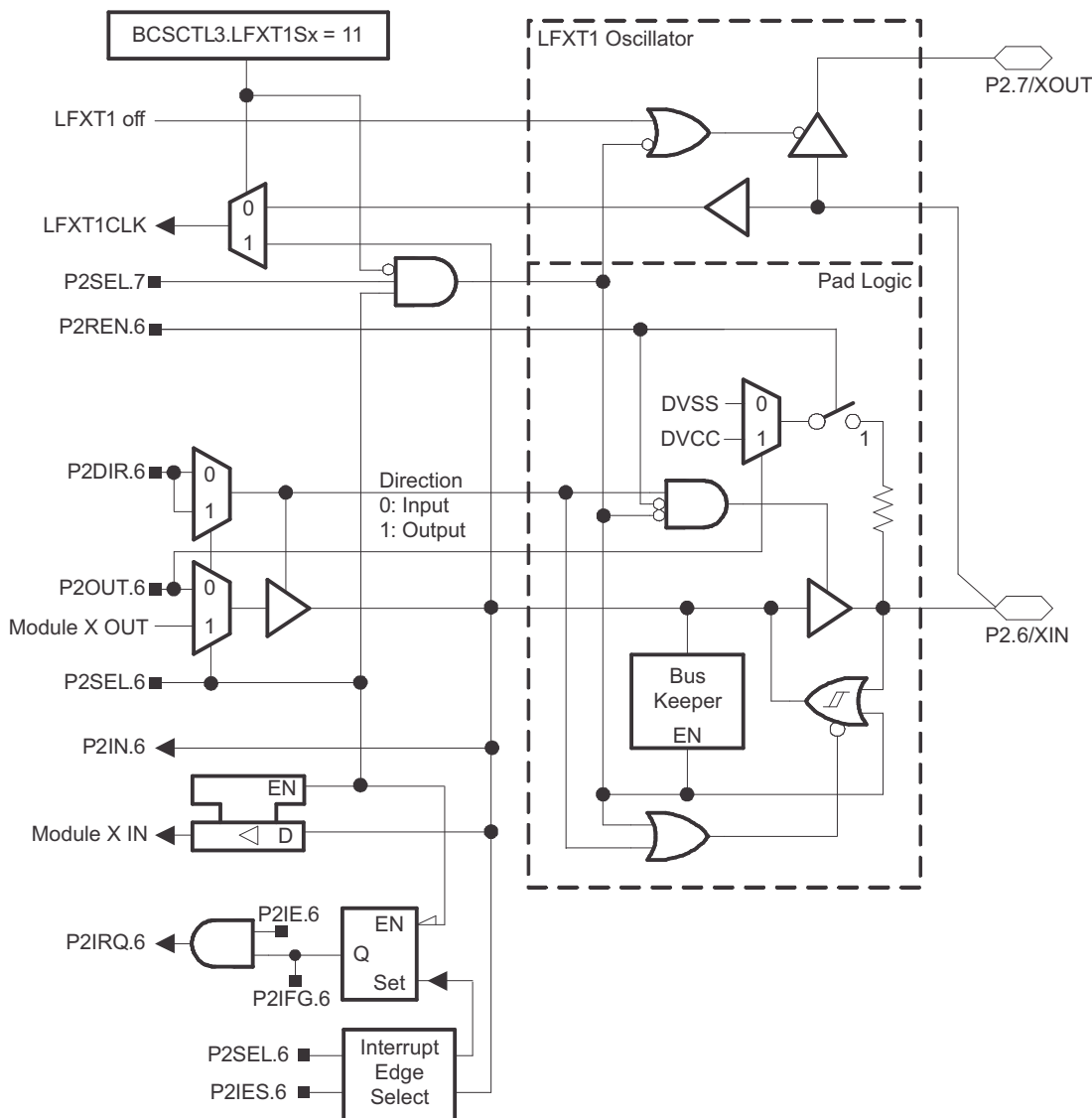


Table 6-23. Port P2 (P2.6) Pin Functions

| PIN NAME (P2.x) | x | FUNCTION | CONTROL BITS OR SIGNALS ⁽¹⁾ | |
|-----------------|---|--------------------|--|---------|
| | | | P2DIR.x | P2SEL.x |
| P2.6/XIN | 6 | P2.6 (I/O) | I: 0; O: 1 | 0 |
| | | XIN ⁽²⁾ | X | 1 |

(1) X = Don't care

(2) Default after reset (PUC, POR)

6.19.10 Port P2 Pin Schematic: P2.7, Input/Output With Schmitt Trigger and Crystal Oscillator Output

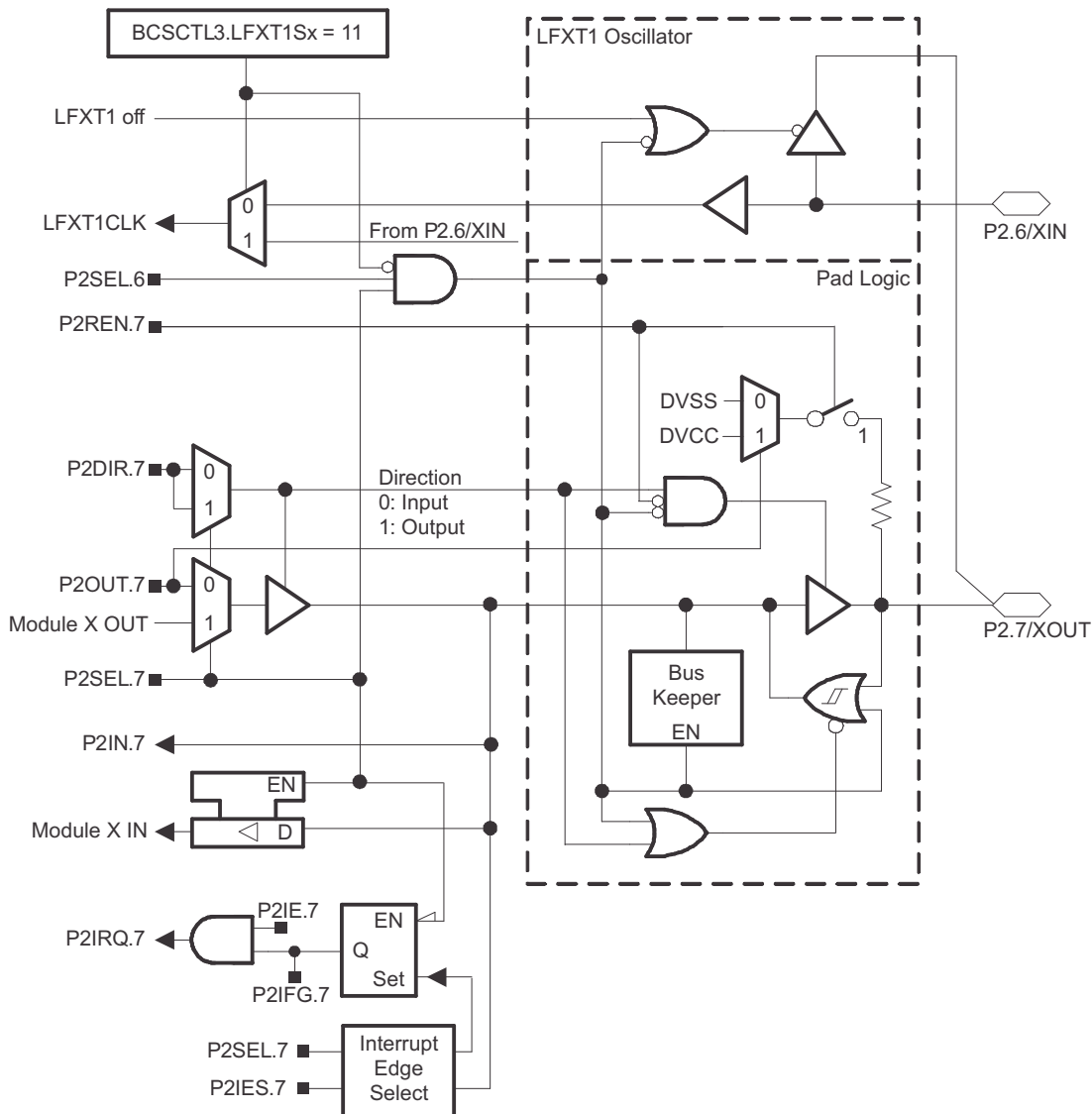


Table 6-24. Port P2 (P2.7) Pin Functions

| PIN NAME (P2.x) | x | FUNCTION | CONTROL BITS OR SIGNALS ⁽¹⁾ | |
|-----------------|---|-------------------------|--|---------|
| | | | P2DIR.x | P2SEL.x |
| XOUT/P2.7 | 7 | P2.7 (I/O) | I: 0; O: 1 | 0 |
| | | XOUT ^{(2) (3)} | X | 1 |

- (1) X = Don't care
- (2) Default after reset (PUC, POR)
- (3) If the pin XOUT/P2.7 is used as an input a current can flow until P2SEL.7 is cleared due to the oscillator output driver connection to this pin after reset.

6.19.11 Port P3 Pin Schematic: P3.0, Input/Output With Schmitt Trigger

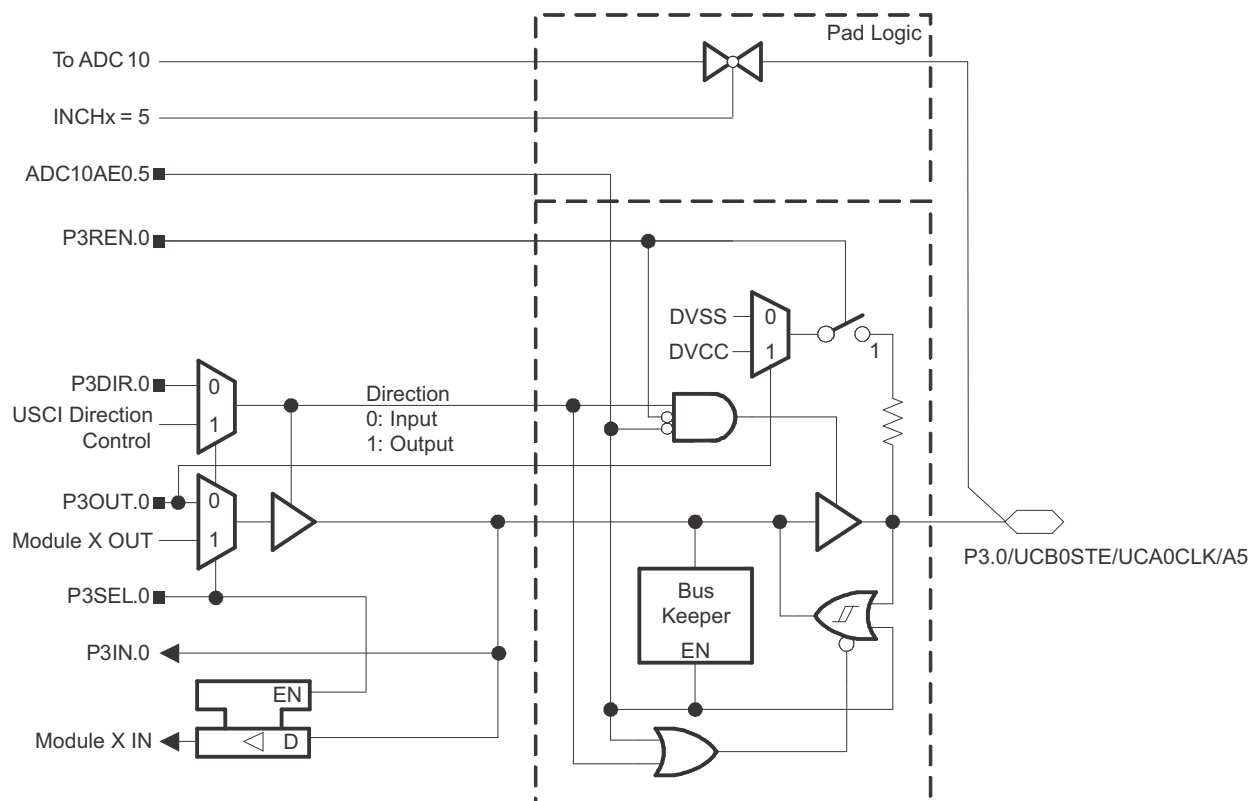


Table 6-25. Port P3 (P3.0) Pin Functions

| PIN NAME (P1.x) | x | y | FUNCTION | CONTROL BITS OR SIGNALS ⁽¹⁾ | | |
|-----------------------------|---|---|------------------------------------|--|---------|------------|
| | | | | P3DIR.x | P3SEL.x | ADC10AE0.y |
| P3.0/UCB0STE/ UCA0CLK/A5 | 0 | 5 | P3.0 ⁽²⁾ (I/O) | I: 0; O: 1 | 0 | 0 |
| | | | UCB0STE/UCA0CLK ^{(3) (4)} | X | 1 | 0 |
| | | | A5 ⁽⁵⁾ | X | X | 1 |

- (1) X = Don't care
- (2) Default after reset (PUC, POR)
- (3) The pin direction is controlled by the USCI module.
- (4) UCA0CLK function takes precedence over UCB0STE function. If the pin is required as UCA0CLK input or output, USCI_B0 is forced to 3-wire SPI mode if 4-wire SPI mode is selected.
- (5) Setting the ADC10AE0.y bit disables the output driver and the input Schmitt trigger to prevent parasitic cross currents when applying analog signals.

6.19.12 Port P3 Pin Schematic: P3.1 to P3.5, Input/Output With Schmitt Trigger

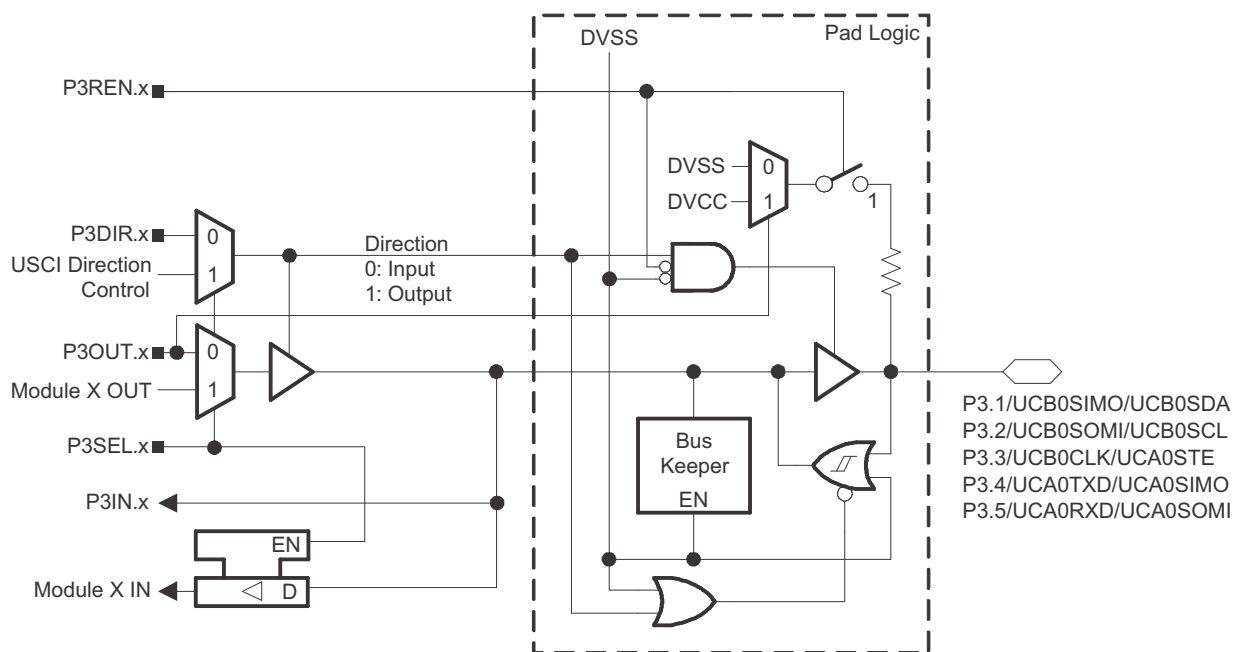


Table 6-26. Port P3 (P3.1 to P3.5) Pin Functions

| PIN NAME (P3.x) | x | FUNCTION | CONTROL BITS OR SIGNALS ⁽¹⁾ | |
|-----------------------|---|------------------------------------|--|---------|
| | | | P3DIR.x | P3SEL.x |
| P3.1/UCB0SIMO/UCB0SDA | 1 | P3.1 ⁽²⁾ (I/O) | I: 0; O: 1 | 0 |
| | | UCB0SIMO/UCB0SDA ⁽³⁾ | X | 1 |
| P3.2/UCB0SOMI/UCB0SCL | 2 | P3.2 ⁽²⁾ (I/O) | I: 0; O: 1 | 0 |
| | | UCB0SOMI/UCB0SCL ⁽³⁾ | X | 1 |
| P3.3/UCB0CLK/UCA0STE | 3 | P3.3 ⁽²⁾ (I/O) | I: 0; O: 1 | 0 |
| | | UCB0CLK/UCA0STE ^{(3) (4)} | X | 1 |
| P3.4/UCA0TXD/UCA0SOMO | 4 | P3.4 ⁽²⁾ (I/O) | I: 0; O: 1 | 0 |
| | | UCA0TXD/UCA0SOMO ⁽³⁾ | X | 1 |
| P3.5/UCA0RXD/UCA0SOMI | 5 | P3.5 ⁽²⁾ (I/O) | I: 0; O: 1 | 0 |
| | | UCA0RXD/UCA0SOMI ⁽³⁾ | X | 1 |

- (1) X = Don't care
- (2) Default after reset (PUC, POR)
- (3) The pin direction is controlled by the USCI module.
- (4) UCB0CLK function takes precedence over UCA0STE function. If the pin is required as UCB0CLK input or output, USCI_A0 is forced to 3-wire SPI mode even if 4-wire SPI mode is selected.

6.19.14 Port P4 Pin Schematic: P4.0 to P4.2, Input/Output With Schmitt Trigger

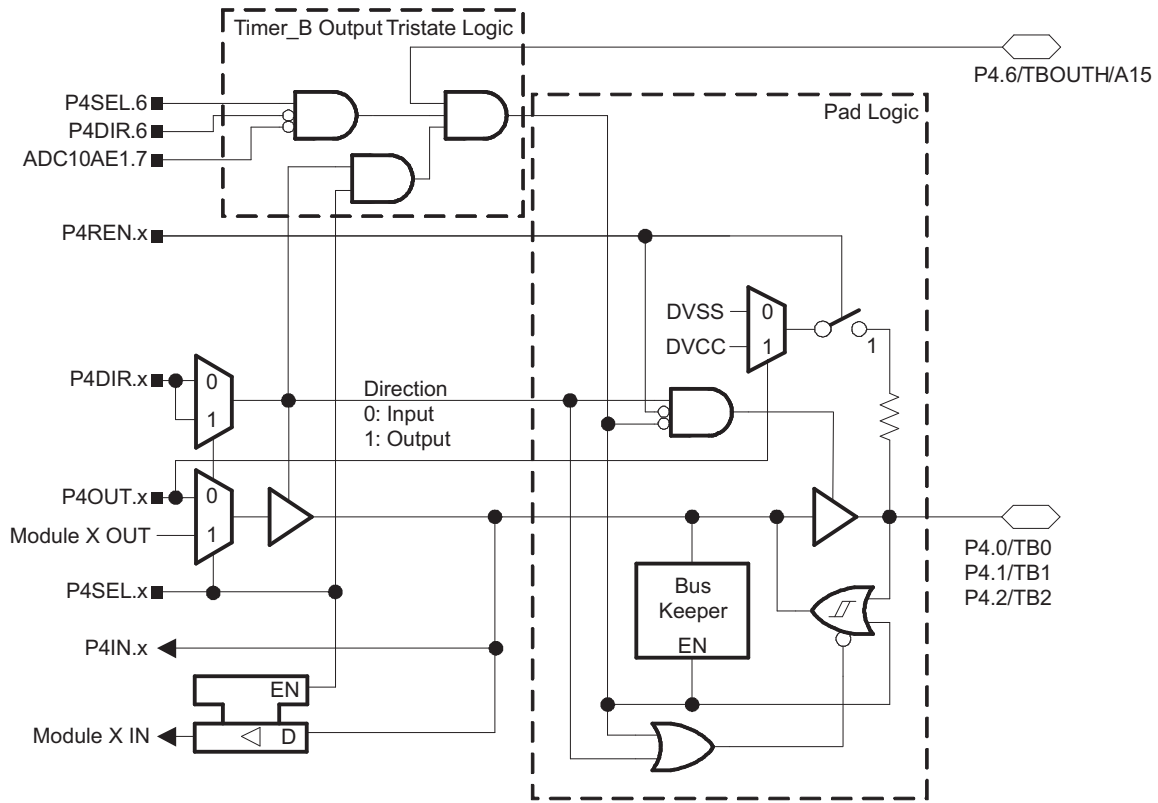


Table 6-28. Port P4 (P4.0 to P4.2) Pin Functions

| PIN NAME (P4.x) | x | FUNCTION | CONTROL BITS OR SIGNALS | |
|-----------------|---|---------------------------|-------------------------|---------|
| | | | P4DIR.x | P4SEL.x |
| P4.0/TB0 | 0 | P4.0 ⁽¹⁾ (I/O) | I: 0; O: 1 | 0 |
| | | Timer_B3.CCI0A | 0 | 1 |
| | | Timer_B3.TB0 | 1 | 1 |
| P4.1/TB1 | 1 | P4.1 ⁽¹⁾ (I/O) | I: 0; O: 1 | 0 |
| | | Timer_B3.CCI1A | 0 | 1 |
| | | Timer_B3.TB1 | 1 | 1 |
| P4.2/TB2 | 2 | P4.2 ⁽¹⁾ (I/O) | I: 0; O: 1 | 0 |
| | | Timer_B3.CCI2A | 0 | 1 |
| | | Timer_B3.TB2 | 1 | 1 |

(1) Default after reset (PUC, POR)

6.19.15 Port P4 Pin Schematic: P4.3 to P4.4, Input/Output With Schmitt Trigger

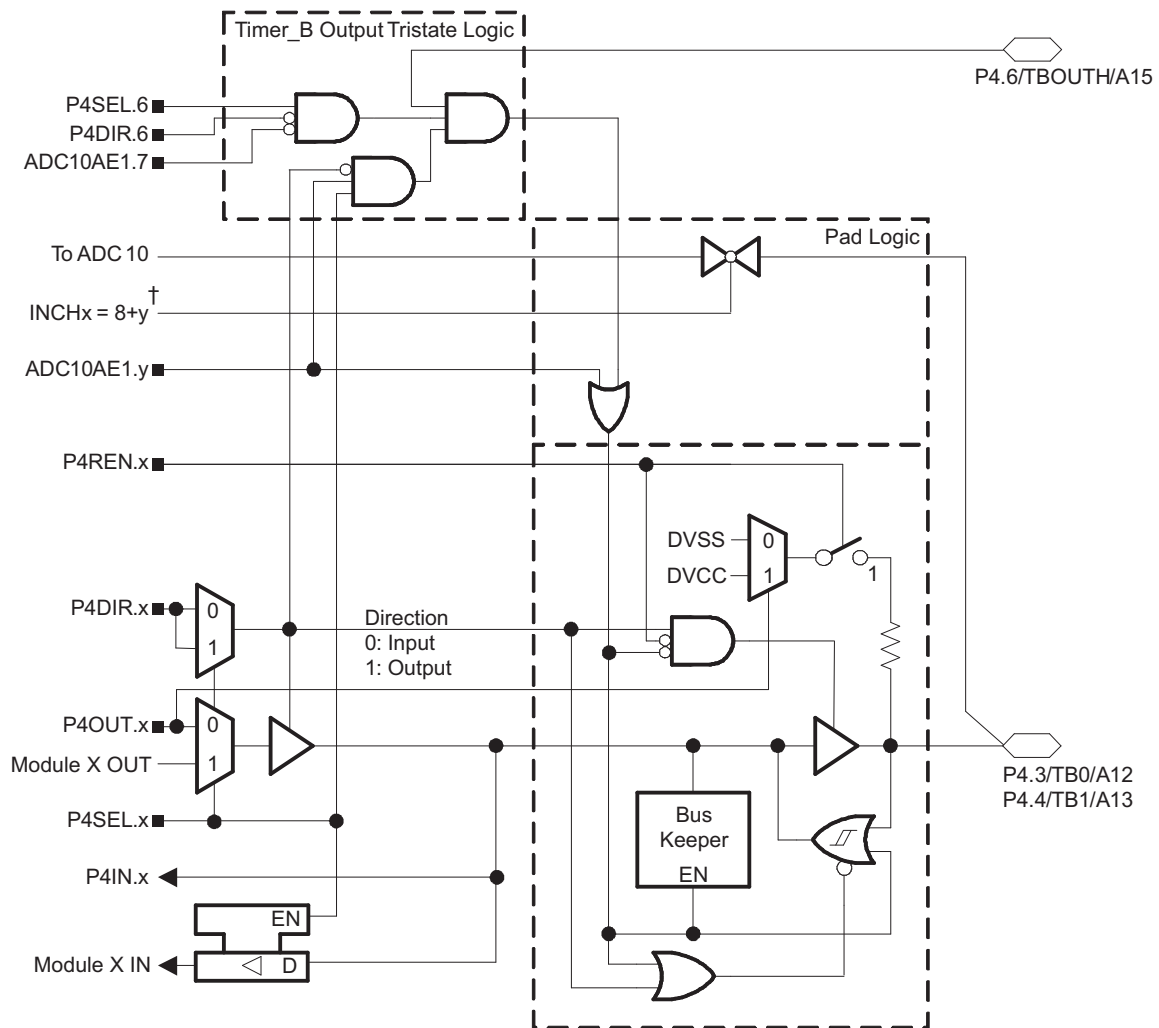


Table 6-29. Port P4 (P4.3 to P4.4) Pin Functions

| PIN NAME (P4.x) | x | y | FUNCTION | CONTROL BITS OR SIGNALS ⁽¹⁾ | | |
|-----------------|---|---|---------------------------|--|---------|------------|
| | | | | P4DIR.x | P4SEL.x | ADC10AE1.y |
| P4.3/TB0/A12 | 3 | 4 | P4.3 ⁽²⁾ (I/O) | I: 0; O: 1 | 0 | 0 |
| | | | Timer_B3.CCI0B | 0 | 1 | 0 |
| | | | Timer_B3.TB0 | 1 | 1 | 0 |
| | | | A12 ⁽³⁾ | X | X | 1 |
| P4.4/TB1/A13 | 4 | 5 | P4.4 ⁽²⁾ (I/O) | I: 0; O: 1 | 0 | 0 |
| | | | Timer_B3.CCI1B | 0 | 1 | 0 |
| | | | Timer_B3.TB1 | 1 | 1 | 0 |
| | | | A13 ⁽³⁾ | X | X | 1 |

(1) X = Don't care

(2) Default after reset (PUC, POR)

(3) Setting the ADC10AE1.y bit disables the output driver and the input Schmitt trigger to prevent parasitic cross currents when applying analog signals.

6.19.16 Port P4 Pin Schematic: P4.5, Input/Output With Schmitt Trigger

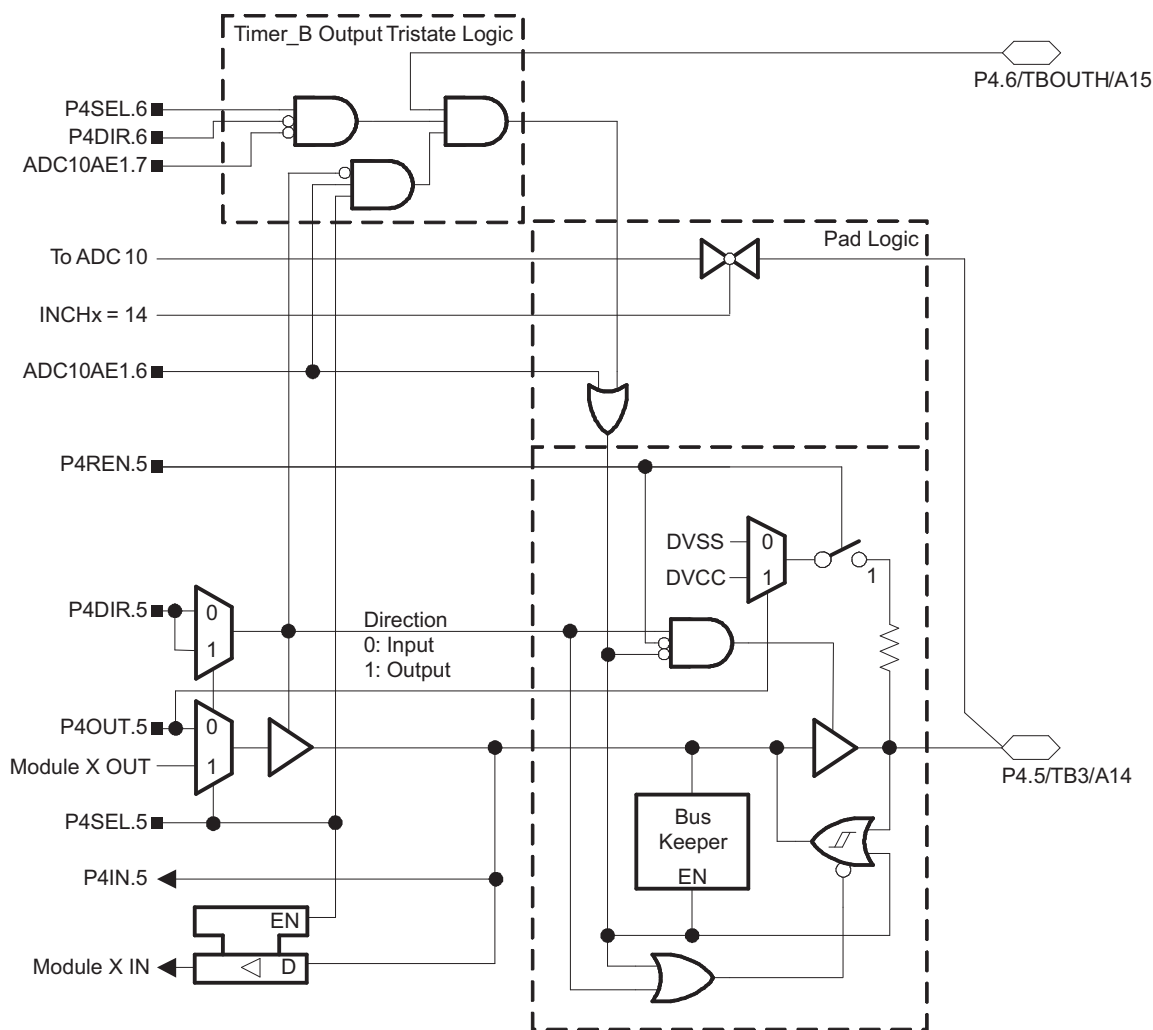


Table 6-30. Port P4 (P4.5) Pin Functions

| PIN NAME (P4.x) | x | y | FUNCTION | CONTROL BITS OR SIGNALS ⁽¹⁾ | | |
|-----------------|---|---|---------------------------|--|---------|------------|
| | | | | P4DIR.x | P4SEL.x | ADC10AE1.y |
| P4.5/TB3/A14 | 5 | 6 | P4.5 ⁽²⁾ (I/O) | I: 0; O: 1 | 0 | 0 |
| | | | Timer_B3.TB2 | 1 | 1 | 0 |
| | | | A14 ⁽³⁾ | X | X | 1 |

- (1) X = Don't care
- (2) Default after reset (PUC, POR)
- (3) Setting the ADC10AE1.y bit disables the output driver and the input Schmitt trigger to prevent parasitic cross currents when applying analog signals.

6.19.17 Port P4 Pin Schematic: P4.6, Input/Output With Schmitt Trigger

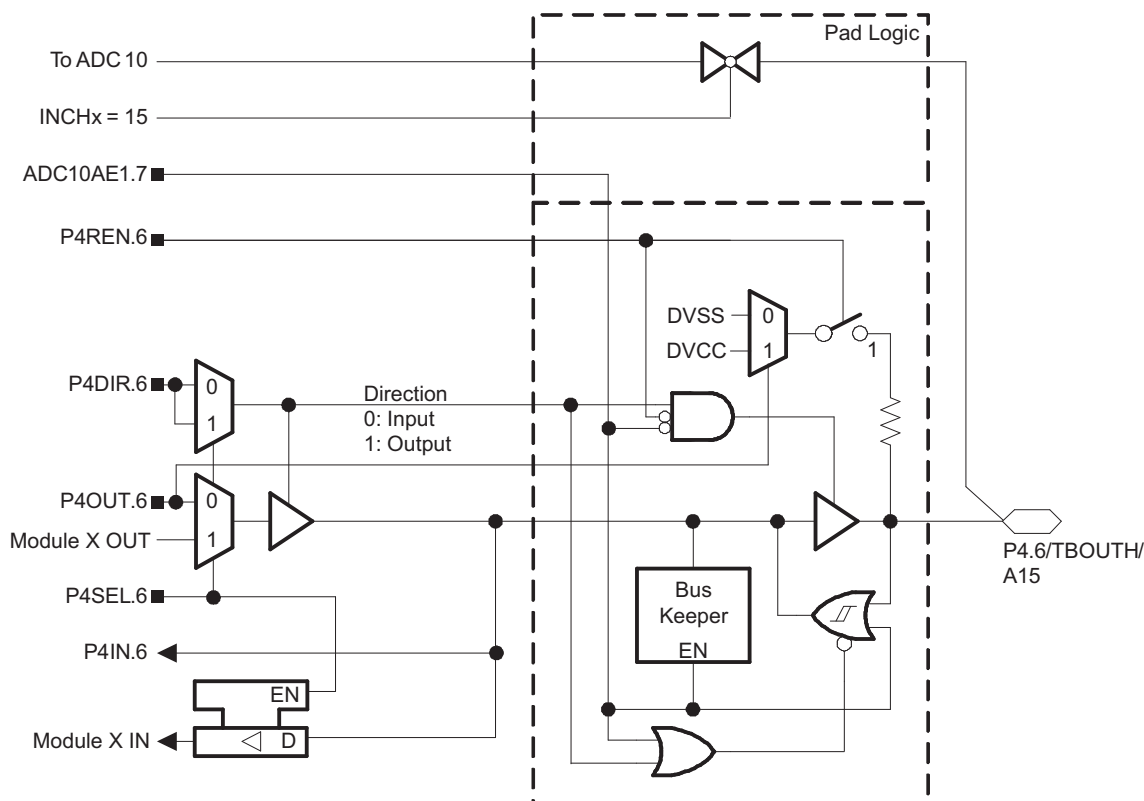


Table 6-31. Port P4 (P4.6) Pin Functions

| PIN NAME (P4.x) | x | y | FUNCTION | CONTROL BITS OR SIGNALS ⁽¹⁾ | | |
|-----------------|---|---|---------------------------|--|---------|------------|
| | | | | P4DIR.x | P4SEL.x | ADC10AE1.y |
| P4.6/TBOUTH/A15 | 6 | 7 | P4.6 ⁽²⁾ (I/O) | I: 0; O: 1 | 0 | 0 |
| | | | TBOUTH | 0 | 1 | 0 |
| | | | DV _{SS} | 1 | 1 | 0 |
| | | | A15 ⁽³⁾ | X | X | 1 |

(1) X = Don't care

(2) Default after reset (PUC, POR)

(3) Setting the ADC10AE1.y bit disables the output driver and the input Schmitt trigger to prevent parasitic cross currents when applying analog signals.

6.19.18 Port P4 Pin Schematic: P4.7, Input/Output With Schmitt Trigger

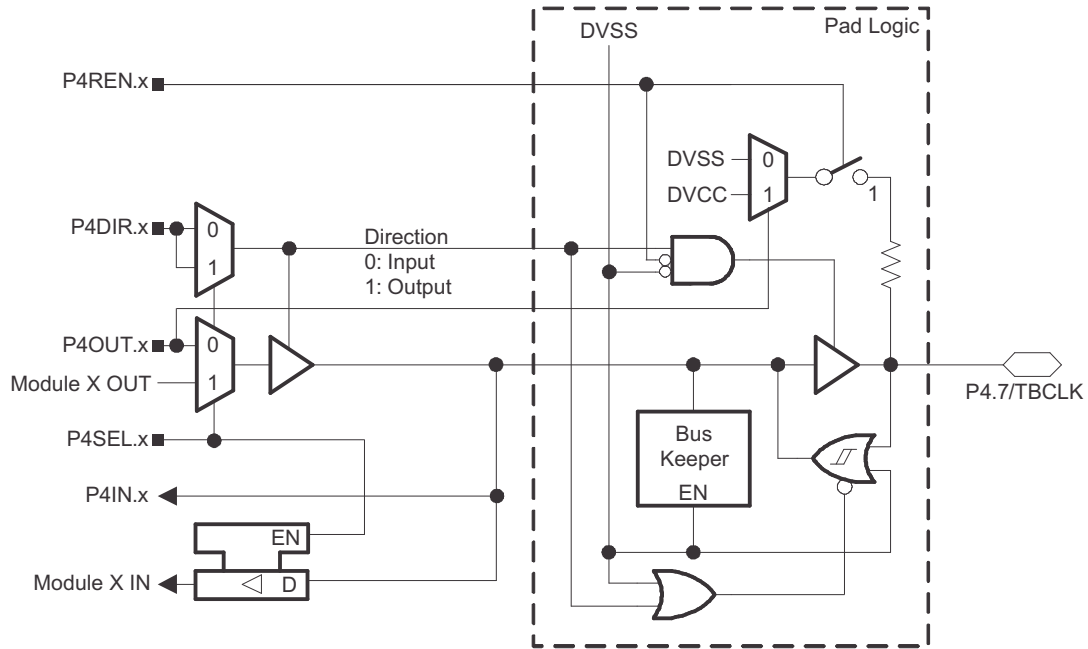


Table 6-32. Port P4 (Pr.7) Pin Functions

| PIN NAME (P4.x) | x | FUNCTION | CONTROL BITS OR SIGNALS | |
|-----------------|---|---------------------------|-------------------------|---------|
| | | | P4DIR.x | P4SEL.x |
| P4.7/TBCLK | 7 | P4.7 ⁽¹⁾ (I/O) | I: 0; O: 1 | 0 |
| | | Timer_B3.TBCLK | 0 | 1 |
| | | DV _{SS} | 1 | 1 |

(1) Default after reset (PUC, POR)

6.19.19 JTAG Fuse Check Mode

MSP430 devices that have the fuse on the TEST terminal have a fuse check mode that tests the continuity of the fuse the first time the JTAG port is accessed after a power-on reset (POR). When activated, a fuse check current, I_{TF} , of 1 mA at 3 V, 2.5 mA at 5 V can flow from the TEST pin to ground if the fuse is not burned. Care must be taken to avoid accidentally activating the fuse check mode and increasing overall system power consumption.

When the TEST pin is again taken low after a test or programming session, the fuse check mode and sense currents are terminated.

Activation of the fuse check mode occurs with the first negative edge on the TMS pin after power up or if TMS is held low during power up. The second positive edge on the TMS pin deactivates the fuse check mode. After deactivation, the fuse check mode remains inactive until another POR occurs. After each POR, the fuse check mode has the potential to be activated.

The fuse check current flows only when the fuse check mode is active and the TMS pin is in a low state (see [Figure 6-1](#)). Therefore, the additional current flow can be prevented by holding the TMS pin high (default condition).

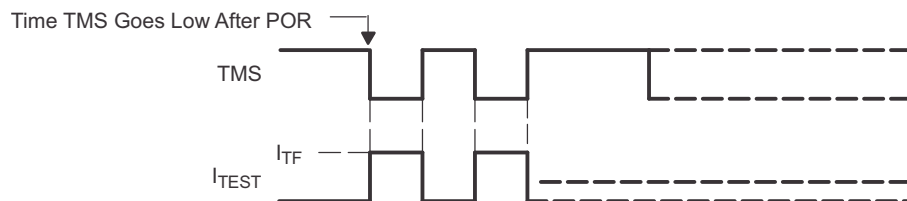


Figure 6-1. Fuse Check Mode Current

NOTE

The CODE and RAM data protection is ensured if the JTAG fuse is blown and the 256-bit bootloader access key is used. Also, see the [Bootstrap Loader](#) section for more information.

7 Device and Documentation Support

7.1 Device Support

7.1.1 Getting Started

For an introduction to the MSP430™ family of devices and the tools and libraries that are available to help with your development, visit the [Getting Started page](#).

7.1.2 Development Tools Support

All MSP430™ microcontrollers are supported by a wide variety of software and hardware development tools. Tools are available from TI and various third parties. See them all at www.ti.com/msp430tools.

7.1.2.1 Hardware Features

See the *Code Composer Studio for MSP430 User's Guide* ([SLAU157](#)) for details on the available features.

| MSP430 Architecture | 4-Wire JTAG | 2-Wire JTAG | Break-points (N) | Range Break-points | Clock Control | State Sequencer | Trace Buffer | LPMx.5 Debugging Support |
|---------------------|-------------|-------------|------------------|--------------------|---------------|-----------------|--------------|--------------------------|
| MSP430 | Yes | Yes | 2 | No | Yes | No | No | No |

7.1.2.2 Recommended Hardware Options

7.1.2.2.1 Target Socket Boards

The target socket boards allow easy programming and debugging of the device using JTAG. They also feature header pin outs for prototyping. Target socket boards are orderable individually or as a kit with the JTAG programmer and debugger included. The following table shows the compatible target boards and the supported packages.

| Package | Target Board and Programmer Bundle | Target Board Only |
|-------------------|------------------------------------|-------------------------------|
| 38-pin TSSOP (DA) | MSP-FET430U38 | MSP-TS430DA38 |

7.1.2.2.2 Experimenter Boards

Experimenter Boards and Evaluation kits are available for some MSP430 devices. These kits feature additional hardware components and connectivity for full system evaluation and prototyping. See www.ti.com/msp430tools for details.

7.1.2.2.3 Debugging and Programming Tools

Hardware programming and debugging tools are available from TI and from its third party suppliers. See the full list of available tools at www.ti.com/msp430tools.

7.1.2.2.4 Production Programmers

The production programmers expedite loading firmware to devices by programming several devices simultaneously.

| Part Number | PC Port | Features | Provider |
|--------------------------|----------------|---|-------------------|
| MSP-GANG | Serial and USB | Program up to eight devices at a time. Works with PC or standalone. | Texas Instruments |

7.1.2.3 Recommended Software Options

7.1.2.3.1 Integrated Development Environments

Software development tools are available from TI or from third parties. Open source solutions are also available.

This device is supported by Code Composer Studio™ IDE (CCS).

7.1.2.3.2 *MSP430Ware*

[MSP430Ware](#) is a collection of code examples, data sheets, and other design resources for all MSP430 devices delivered in a convenient package. MSP430Ware is available as a component of CCS or as a standalone package.

7.1.2.3.3 *Command-Line Programmer*

[MSP430 Flasher](#) is an open-source, shell-based interface for programming MSP430 microcontrollers through a FET programmer or eZ430 using JTAG or Spy-Bi-Wire (SBW) communication. MSP430 Flasher can be used to download binary files (.txt or .hex) files directly to the MSP430 Flash without the need for an IDE.

7.1.3 *Device and Development Tool Nomenclature*

To designate the stages in the product development cycle, TI assigns prefixes to the part numbers of all MSP430 MCU devices and support tools. Each MSP430 MCU commercial family member has one of three prefixes: MSP, PMS, or XMS (for example, MSP430F5259). Texas Instruments recommends two of three possible prefix designators for its support tools: MSP and MSPX. These prefixes represent evolutionary stages of product development from engineering prototypes (with XMS for devices and MSPX for tools) through fully qualified production devices and tools (with MSP for devices and MSP for tools).

Device development evolutionary flow:

XMS – Experimental device that is not necessarily representative of the final device's electrical specifications

PMS – Final silicon die that conforms to the device's electrical specifications but has not completed quality and reliability verification

MSP – Fully qualified production device

Support tool development evolutionary flow:

MSPX – Development-support product that has not yet completed Texas Instruments internal qualification testing.

MSP – Fully-qualified development-support product

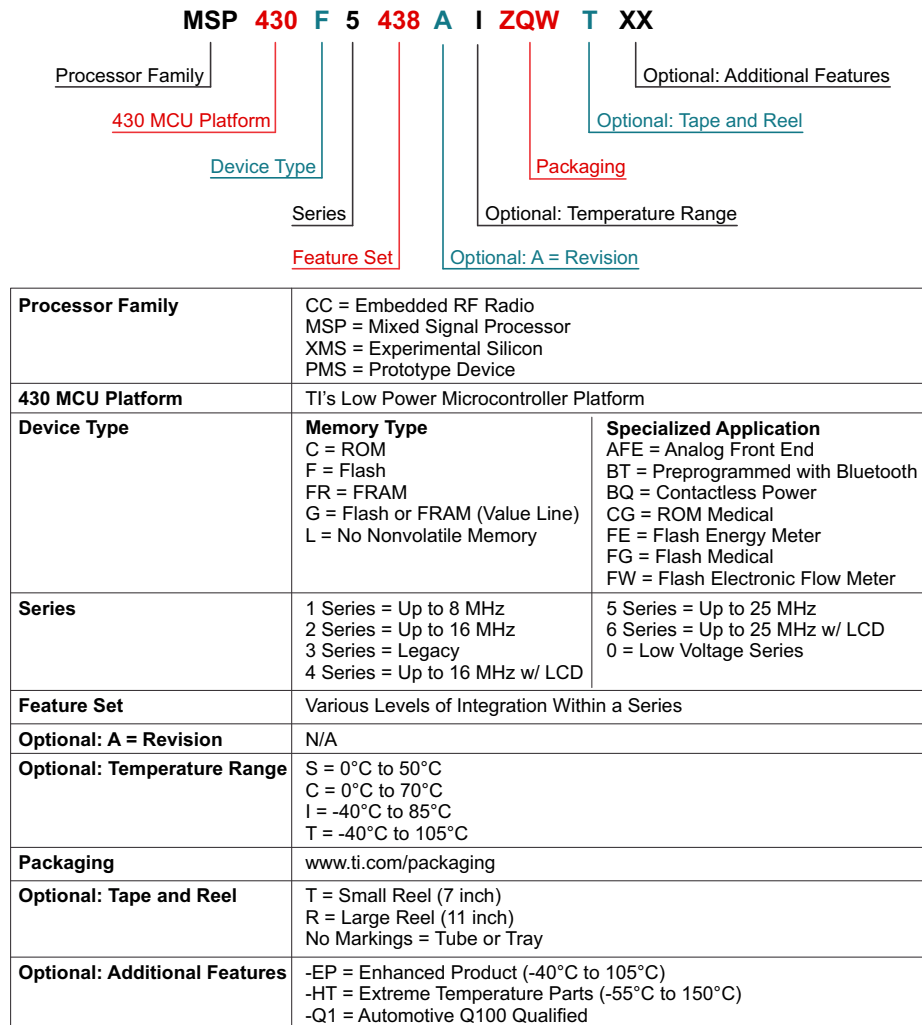
XMS and PMS devices and MSPX development-support tools are shipped against the following disclaimer:

"Developmental product is intended for internal evaluation purposes."

MSP devices and MSP development-support tools have been characterized fully, and the quality and reliability of the device have been demonstrated fully. TI's standard warranty applies.

Predictions show that prototype devices (XMS and PMS) have a greater failure rate than the standard production devices. Texas Instruments recommends that these devices not be used in any production system because their expected end-use failure rate still is undefined. Only qualified production devices are to be used.

TI device nomenclature also includes a suffix with the device family name. This suffix indicates the package type (for example, PZP) and temperature range (for example, T). [Figure 7-1](#) provides a legend for reading the complete device name for any family member.


Figure 7-1. Device Nomenclature

7.2 Documentation Support

The following documents describe the MSP430G2x44 devices. Copies of these documents are available on the Internet at www.ti.com.

[SLAU144](#) **MSP430x2xx Family User's Guide.** Detailed information on the modules and peripherals available in this device family.

[SLAZ497](#) **MSP430G2744 Device Erratasheet.** Describes the known exceptions to the functional specifications for all silicon revisions of the device.

[SLAZ498](#) **MSP430G2544 Device Erratasheet.** Describes the known exceptions to the functional specifications for all silicon revisions of the device.

[SLAZ499](#) **MSP430G2444 Device Erratasheet.** Describes the known exceptions to the functional specifications for all silicon revisions of the device.

7.3 Related Links

Table 7-1 lists quick access links. Categories include technical documents, support and community resources, tools and software, and quick access to sample or buy.

Table 7-1. Related Links

| PARTS | PRODUCT FOLDER | SAMPLE & BUY | TECHNICAL DOCUMENTS | TOOLS & SOFTWARE | SUPPORT & COMMUNITY |
|-------------|----------------------------|----------------------------|----------------------------|----------------------------|----------------------------|
| MSP430G2744 | Click here | Click here | Click here | Click here | Click here |
| MSP430G2544 | Click here | Click here | Click here | Click here | Click here |
| MSP430G2444 | Click here | Click here | Click here | Click here | Click here |

7.4 Community Resources

The following links connect to TI community resources. Linked contents are provided "AS IS" by the respective contributors. They do not constitute TI specifications and do not necessarily reflect TI's views; see TI's [Terms of Use](#).

[TI E2E™ Community](#)

TI's *Engineer-to-Engineer (E2E) Community*. Created to foster collaboration among engineers. At e2e.ti.com, you can ask questions, share knowledge, explore ideas, and help solve problems with fellow engineers.

[TI Embedded Processors Wiki](#)

Texas Instruments Embedded Processors Wiki. Established to help developers get started with embedded processors from Texas Instruments and to foster innovation and growth of general knowledge about the hardware and software surrounding these devices.

7.5 Trademarks

MSP430, Code Composer Studio, E2E are trademarks of Texas Instruments. All other trademarks are the property of their respective owners.

7.6 Electrostatic Discharge Caution



This integrated circuit can be damaged by ESD. Texas Instruments recommends that all integrated circuits be handled with appropriate precautions. Failure to observe proper handling and installation procedures can cause damage.

ESD damage can range from subtle performance degradation to complete device failure. Precision integrated circuits may be more susceptible to damage because very small parametric changes could cause the device not to meet its published specifications.

7.7 Glossary

[SLYZ022](#) — *TI Glossary*.

This glossary lists and explains terms, acronyms, and definitions.

8 Mechanical, Packaging, and Orderable Information

The following pages include mechanical packaging and orderable information. This information is the most current data available for the designated devices. This data is subject to change without notice and revision of this document. For browser-based versions of this data sheet, refer to the left-hand navigation.

PACKAGING INFORMATION

| Orderable Device | Status (1) | Package Type | Package Drawing | Pins | Package Qty | Eco Plan (2) | Lead/Ball Finish (6) | MSL Peak Temp (3) | Op Temp (°C) | Device Marking (4/5) | Samples |
|--------------------|---------------|--------------|--------------------|------|----------------|----------------------------|-------------------------|----------------------|--------------|-------------------------|-------------------------|
| MSP430G2444IDA38 | ACTIVE | TSSOP | DA | 38 | 40 | Green (RoHS & no Sb/Br) | CU NIPDAU | Level-2-260C-1 YEAR | -40 to 85 | M430G2444 | Samples |
| MSP430G2444IDA38R | ACTIVE | TSSOP | DA | 38 | 2000 | Green (RoHS & no Sb/Br) | CU NIPDAU | Level-2-260C-1 YEAR | -40 to 85 | M430G2444 | Samples |
| MSP430G2444IRHA40R | ACTIVE | VQFN | RHA | 40 | 2500 | Green (RoHS & no Sb/Br) | CU NIPDAU | Level-3-260C-168 HR | -40 to 85 | M430 G2444 | Samples |
| MSP430G2444IRHA40T | ACTIVE | VQFN | RHA | 40 | 250 | Green (RoHS & no Sb/Br) | CU NIPDAU | Level-3-260C-168 HR | -40 to 85 | M430 G2444 | Samples |
| MSP430G2444IYFFR | ACTIVE | DSBGA | YFF | 49 | 2500 | Green (RoHS & no Sb/Br) | SNAGCU | Level-1-260C-UNLIM | -40 to 85 | M430G2444 | Samples |
| MSP430G2444IYFFT | ACTIVE | DSBGA | YFF | 49 | 250 | Green (RoHS & no Sb/Br) | SNAGCU | Level-1-260C-UNLIM | -40 to 85 | M430G2444 | Samples |
| MSP430G2544IDA38 | ACTIVE | TSSOP | DA | 38 | 40 | Green (RoHS & no Sb/Br) | CU NIPDAU | Level-2-260C-1 YEAR | | M430G2544 | Samples |
| MSP430G2544IDA38R | ACTIVE | TSSOP | DA | 38 | 2000 | Green (RoHS & no Sb/Br) | CU NIPDAU | Level-2-260C-1 YEAR | | M430G2544 | Samples |
| MSP430G2544IRHA40R | ACTIVE | VQFN | RHA | 40 | 2500 | Green (RoHS & no Sb/Br) | CU NIPDAU | Level-3-260C-168 HR | | M430 G2544 | Samples |
| MSP430G2544IRHA40T | ACTIVE | VQFN | RHA | 40 | 250 | Green (RoHS & no Sb/Br) | CU NIPDAU | Level-3-260C-168 HR | | M430 G2544 | Samples |
| MSP430G2544IYFFR | ACTIVE | DSBGA | YFF | 49 | 2500 | Green (RoHS & no Sb/Br) | SNAGCU | Level-1-260C-UNLIM | | M430G2544 | Samples |
| MSP430G2744IDA38 | ACTIVE | TSSOP | DA | 38 | 40 | Green (RoHS & no Sb/Br) | CU NIPDAU | Level-2-260C-1 YEAR | -40 to 85 | M430G2744 | Samples |
| MSP430G2744IDA38R | ACTIVE | TSSOP | DA | 38 | 2000 | Green (RoHS & no Sb/Br) | CU NIPDAU | Level-2-260C-1 YEAR | -40 to 85 | M430G2744 | Samples |
| MSP430G2744IRHA40R | ACTIVE | VQFN | RHA | 40 | 2500 | Green (RoHS & no Sb/Br) | CU NIPDAU | Level-3-260C-168 HR | -40 to 85 | M430 G2744 | Samples |
| MSP430G2744IRHA40T | ACTIVE | VQFN | RHA | 40 | 250 | Green (RoHS & no Sb/Br) | CU NIPDAU | Level-3-260C-168 HR | -40 to 85 | M430 G2744 | Samples |
| MSP430G2744IYFFR | ACTIVE | DSBGA | YFF | 49 | 2500 | Green (RoHS & no Sb/Br) | SNAGCU | Level-1-260C-UNLIM | -40 to 85 | M430G2744 | Samples |
| MSP430G2744IYFFT | ACTIVE | DSBGA | YFF | 49 | 250 | Green (RoHS & no Sb/Br) | SNAGCU | Level-1-260C-UNLIM | -40 to 85 | M430G2744 | Samples |

(1) The marketing status values are defined as follows:

ACTIVE: Product device recommended for new designs.

LIFEBUY: TI has announced that the device will be discontinued, and a lifetime-buy period is in effect.

NRND: Not recommended for new designs. Device is in production to support existing customers, but TI does not recommend using this part in a new design.

PREVIEW: Device has been announced but is not in production. Samples may or may not be available.

OBSOLETE: TI has discontinued the production of the device.

(2) Eco Plan - The planned eco-friendly classification: Pb-Free (RoHS), Pb-Free (RoHS Exempt), or Green (RoHS & no Sb/Br) - please check <http://www.ti.com/productcontent> for the latest availability information and additional product content details.

TBD: The Pb-Free/Green conversion plan has not been defined.

Pb-Free (RoHS): TI's terms "Lead-Free" or "Pb-Free" mean semiconductor products that are compatible with the current RoHS requirements for all 6 substances, including the requirement that lead not exceed 0.1% by weight in homogeneous materials. Where designed to be soldered at high temperatures, TI Pb-Free products are suitable for use in specified lead-free processes.

Pb-Free (RoHS Exempt): This component has a RoHS exemption for either 1) lead-based flip-chip solder bumps used between the die and package, or 2) lead-based die adhesive used between the die and leadframe. The component is otherwise considered Pb-Free (RoHS compatible) as defined above.

Green (RoHS & no Sb/Br): TI defines "Green" to mean Pb-Free (RoHS compatible), and free of Bromine (Br) and Antimony (Sb) based flame retardants (Br or Sb do not exceed 0.1% by weight in homogeneous material)

(3) MSL, Peak Temp. - The Moisture Sensitivity Level rating according to the JEDEC industry standard classifications, and peak solder temperature.

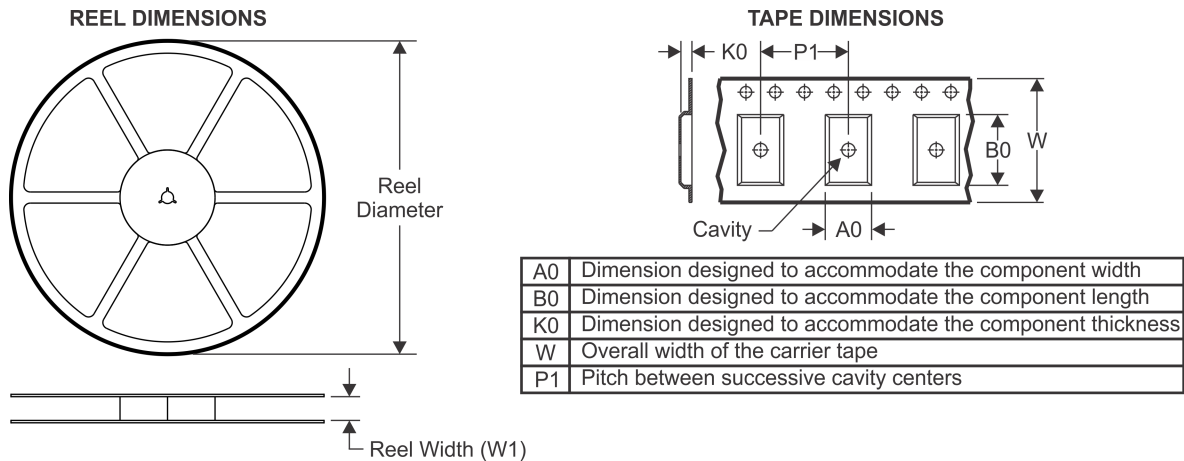
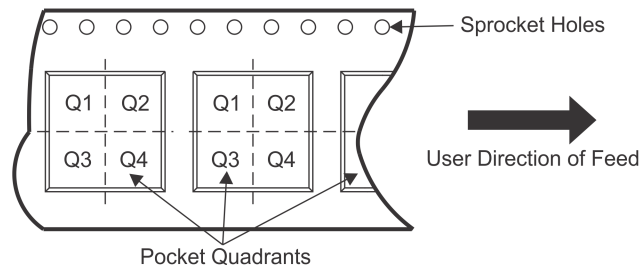
(4) There may be additional marking, which relates to the logo, the lot trace code information, or the environmental category on the device.

(5) Multiple Device Markings will be inside parentheses. Only one Device Marking contained in parentheses and separated by a "~" will appear on a device. If a line is indented then it is a continuation of the previous line and the two combined represent the entire Device Marking for that device.

(6) Lead/Ball Finish - Orderable Devices may have multiple material finish options. Finish options are separated by a vertical ruled line. Lead/Ball Finish values may wrap to two lines if the finish value exceeds the maximum column width.

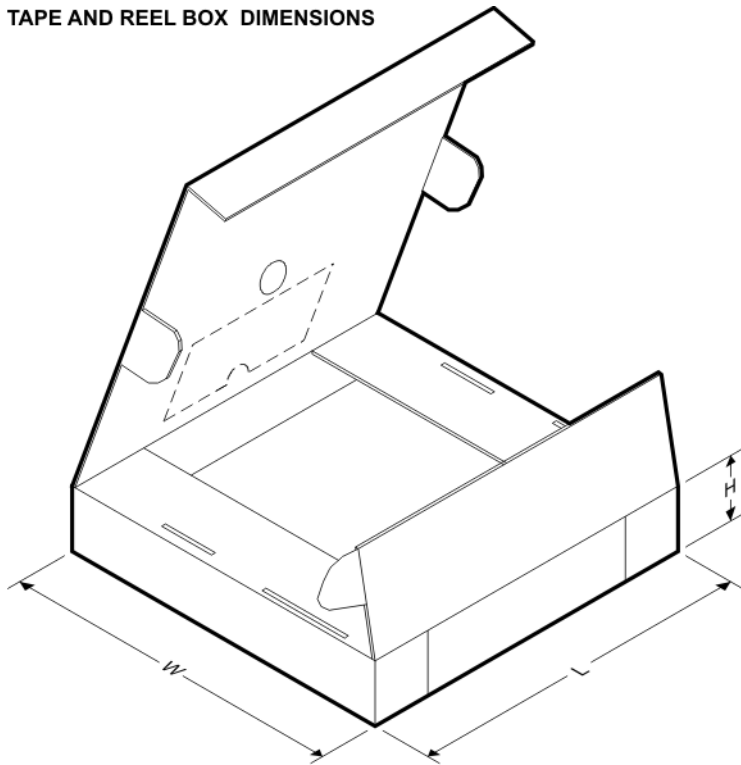
Important Information and Disclaimer: The information provided on this page represents TI's knowledge and belief as of the date that it is provided. TI bases its knowledge and belief on information provided by third parties, and makes no representation or warranty as to the accuracy of such information. Efforts are underway to better integrate information from third parties. TI has taken and continues to take reasonable steps to provide representative and accurate information but may not have conducted destructive testing or chemical analysis on incoming materials and chemicals. TI and TI suppliers consider certain information to be proprietary, and thus CAS numbers and other limited information may not be available for release.

In no event shall TI's liability arising out of such information exceed the total purchase price of the TI part(s) at issue in this document sold by TI to Customer on an annual basis.

TAPE AND REEL INFORMATION

QUADRANT ASSIGNMENTS FOR PIN 1 ORIENTATION IN TAPE


*All dimensions are nominal

| Device | Package Type | Package Drawing | Pins | SPQ | Reel Diameter (mm) | Reel Width W1 (mm) | A0 (mm) | B0 (mm) | K0 (mm) | P1 (mm) | W (mm) | Pin1 Quadrant |
|--------------------|--------------|-----------------|------|------|--------------------|--------------------|---------|---------|---------|---------|--------|---------------|
| MSP430G2444IDA38R | TSSOP | DA | 38 | 2000 | 330.0 | 24.4 | 8.6 | 13.0 | 1.8 | 12.0 | 24.0 | Q1 |
| MSP430G2444IRHA40R | VQFN | RHA | 40 | 2500 | 330.0 | 16.4 | 6.3 | 6.3 | 1.1 | 12.0 | 16.0 | Q2 |
| MSP430G2444IRHA40T | VQFN | RHA | 40 | 250 | 180.0 | 16.4 | 6.3 | 6.3 | 1.1 | 12.0 | 16.0 | Q2 |
| MSP430G2544IDA38R | TSSOP | DA | 38 | 2000 | 330.0 | 24.4 | 8.6 | 13.0 | 1.8 | 12.0 | 24.0 | Q1 |
| MSP430G2544IRHA40R | VQFN | RHA | 40 | 2500 | 330.0 | 16.4 | 6.3 | 6.3 | 1.1 | 12.0 | 16.0 | Q2 |
| MSP430G2544IRHA40T | VQFN | RHA | 40 | 250 | 180.0 | 16.4 | 6.3 | 6.3 | 1.1 | 12.0 | 16.0 | Q2 |
| MSP430G2744IDA38R | TSSOP | DA | 38 | 2000 | 330.0 | 24.4 | 8.6 | 13.0 | 1.8 | 12.0 | 24.0 | Q1 |
| MSP430G2744IRHA40R | VQFN | RHA | 40 | 2500 | 330.0 | 16.4 | 6.3 | 6.3 | 1.1 | 12.0 | 16.0 | Q2 |
| MSP430G2744IRHA40T | VQFN | RHA | 40 | 250 | 180.0 | 16.4 | 6.3 | 6.3 | 1.1 | 12.0 | 16.0 | Q2 |
| MSP430G2744IYFFR | DSBGA | YFF | 49 | 2500 | 330.0 | 12.4 | 3.5 | 3.7 | 0.81 | 8.0 | 12.0 | Q2 |
| MSP430G2744IYFFT | DSBGA | YFF | 49 | 250 | 180.0 | 12.4 | 3.5 | 3.7 | 0.81 | 8.0 | 12.0 | Q2 |

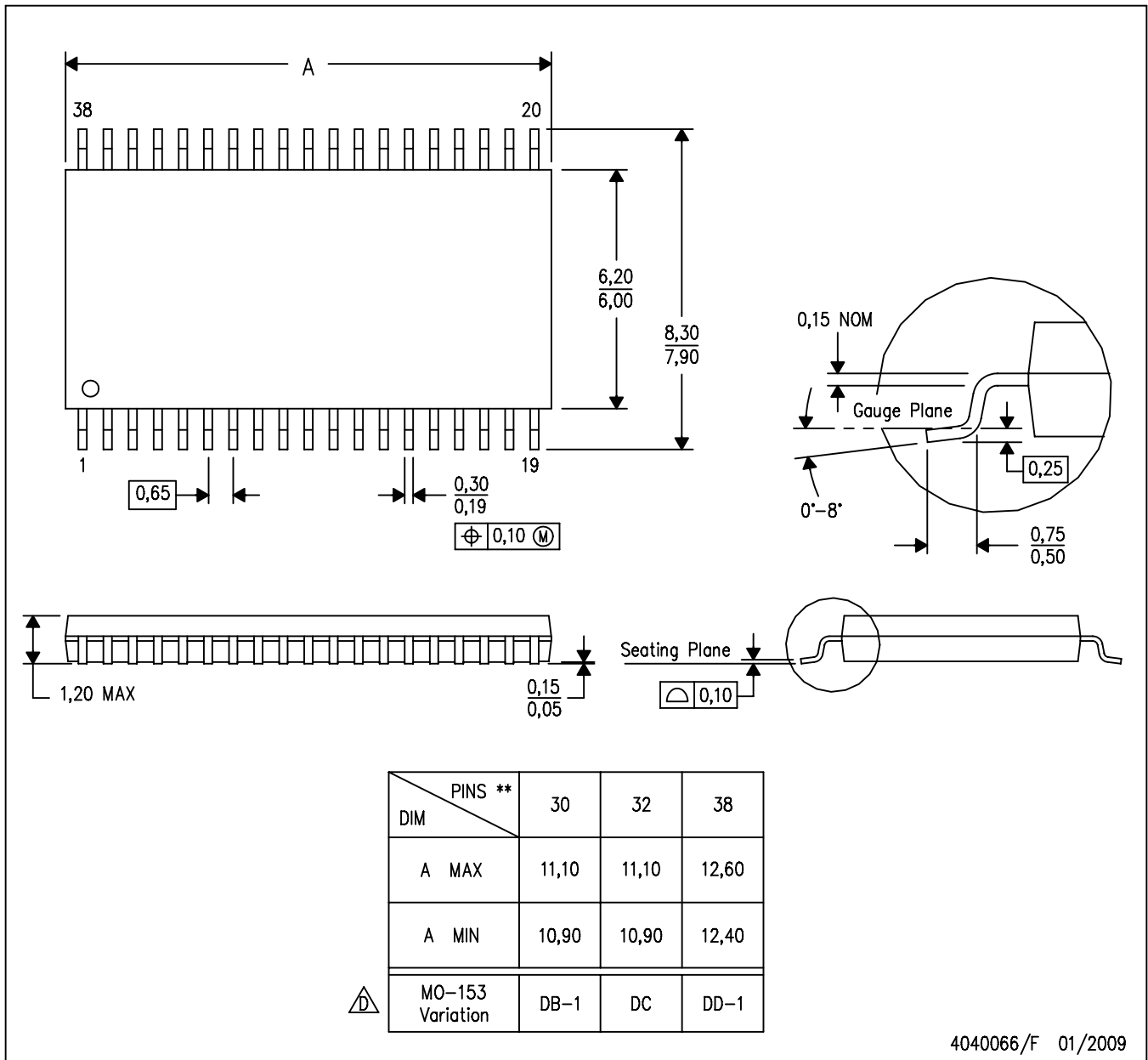
TAPE AND REEL BOX DIMENSIONS


*All dimensions are nominal

| Device | Package Type | Package Drawing | Pins | SPQ | Length (mm) | Width (mm) | Height (mm) |
|--------------------|--------------|-----------------|------|------|-------------|------------|-------------|
| MSP430G2444IDA38R | TSSOP | DA | 38 | 2000 | 367.0 | 367.0 | 45.0 |
| MSP430G2444IRHA40R | VQFN | RHA | 40 | 2500 | 367.0 | 367.0 | 38.0 |
| MSP430G2444IRHA40T | VQFN | RHA | 40 | 250 | 210.0 | 185.0 | 35.0 |
| MSP430G2544IDA38R | TSSOP | DA | 38 | 2000 | 367.0 | 367.0 | 45.0 |
| MSP430G2544IRHA40R | VQFN | RHA | 40 | 2500 | 367.0 | 367.0 | 38.0 |
| MSP430G2544IRHA40T | VQFN | RHA | 40 | 250 | 210.0 | 185.0 | 35.0 |
| MSP430G2744IDA38R | TSSOP | DA | 38 | 2000 | 367.0 | 367.0 | 45.0 |
| MSP430G2744IRHA40R | VQFN | RHA | 40 | 2500 | 367.0 | 367.0 | 38.0 |
| MSP430G2744IRHA40T | VQFN | RHA | 40 | 250 | 210.0 | 185.0 | 35.0 |
| MSP430G2744IYFFR | DSBGA | YFF | 49 | 2500 | 367.0 | 367.0 | 35.0 |
| MSP430G2744IYFFT | DSBGA | YFF | 49 | 250 | 210.0 | 185.0 | 35.0 |

DA (R-PDSO-G**)
 38 PIN SHOWN

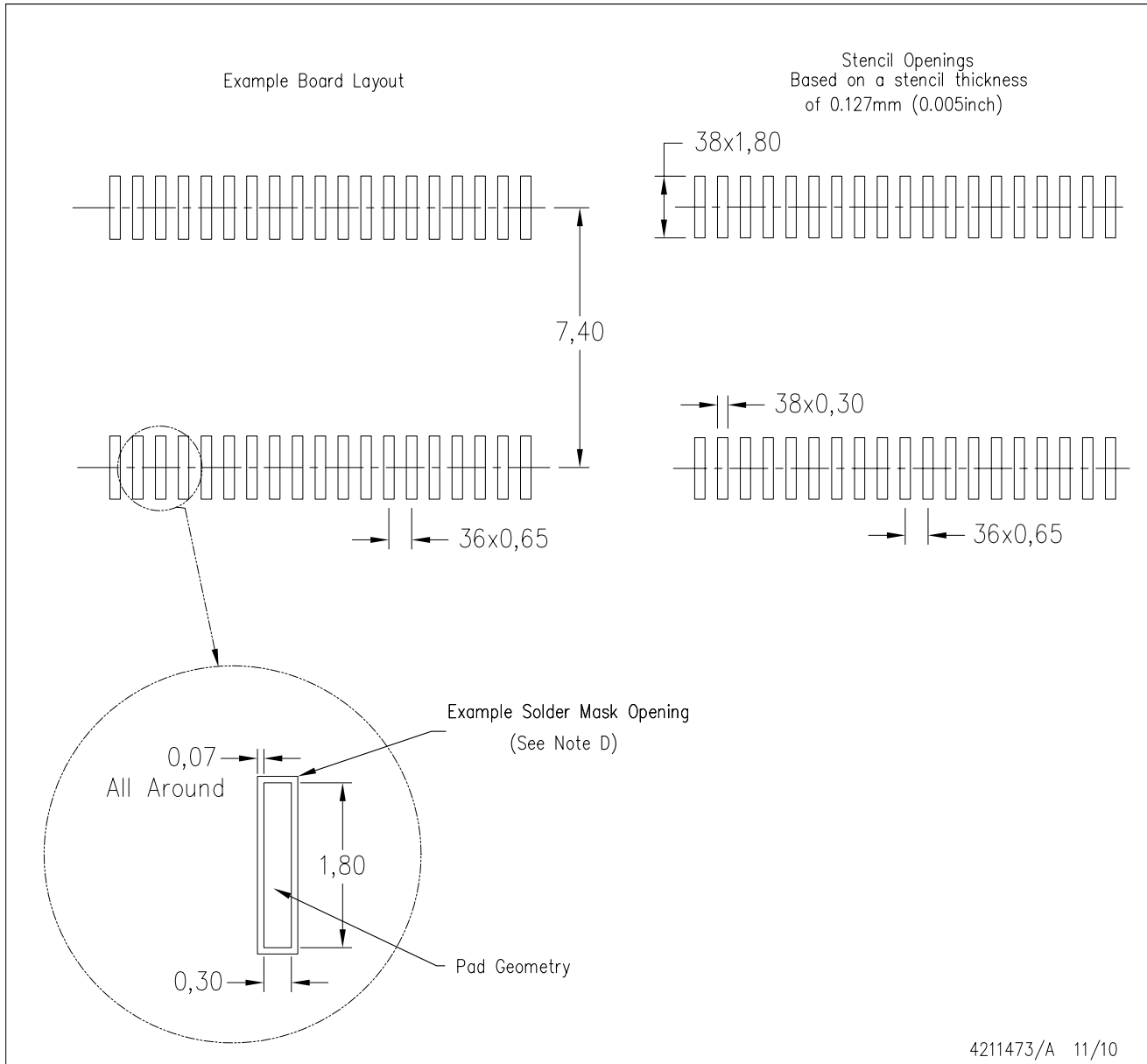
PLASTIC SMALL-OUTLINE PACKAGE



- NOTES:
- A. All linear dimensions are in millimeters.
 - B. This drawing is subject to change without notice.
 - C. Body dimensions do not include mold flash or protrusion. Mold flash and protrusion shall not exceed 0.15 per side.
 - Falls within JEDEC MO-153, except 30 pin body length.

DA (R-PDSO-G38)

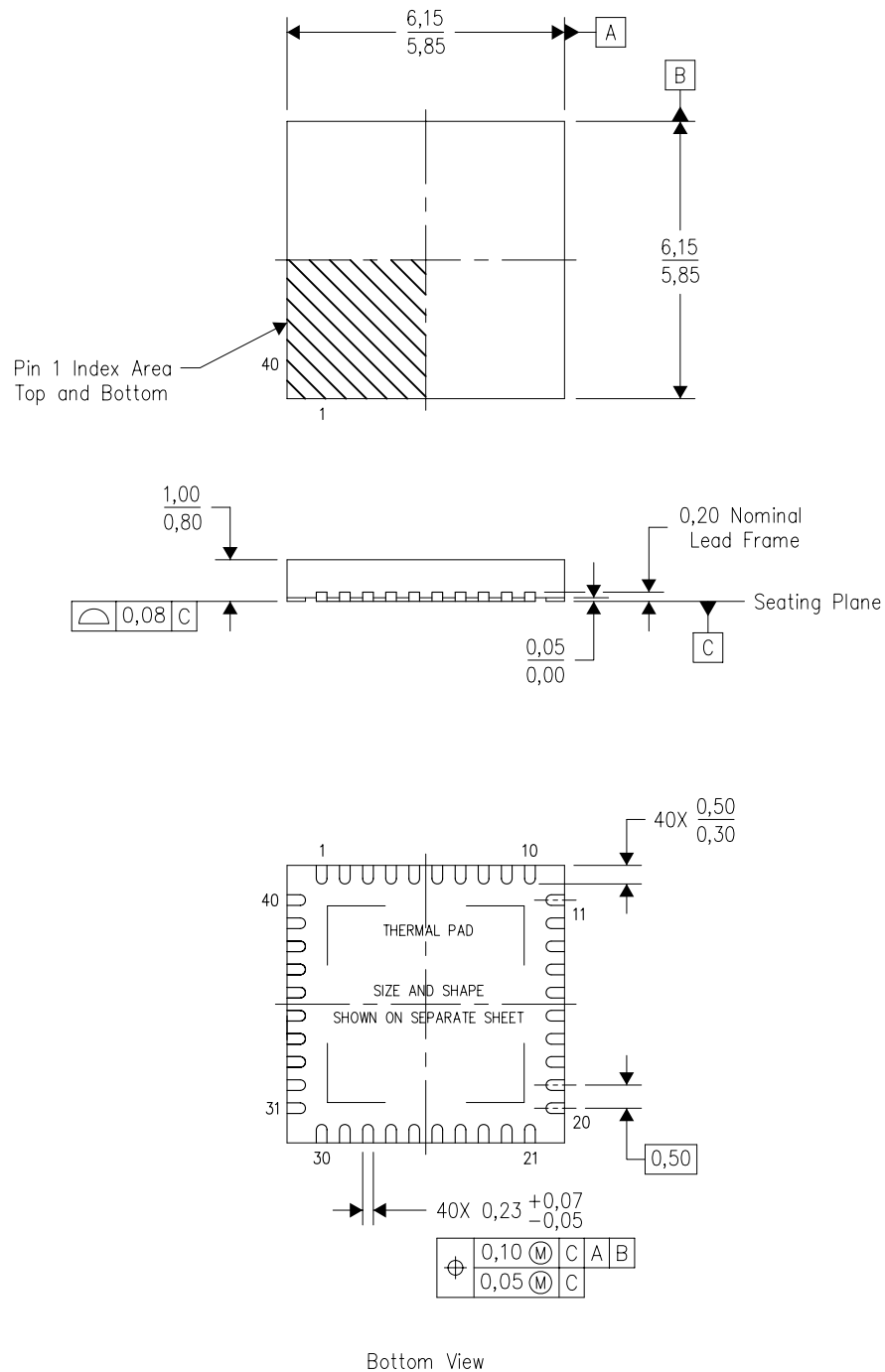
PLASTIC SMALL OUTLINE



- NOTES:
- A. All linear dimensions are in millimeters.
 - B. This drawing is subject to change without notice.
 - C. Laser cutting apertures with trapezoidal walls and also rounding corners will offer better paste release. Customers should contact their board assembly site for stencil design recommendations. Example stencil design based on a 50% volumetric metal load solder paste. Refer to IPC-7525 for other stencil recommendations.
 - D. Contact the board fabrication site for recommended soldermask tolerances.

RHA (S-PVQFN-N40)

PLASTIC QUAD FLATPACK NO-LEAD



4204276/E 06/11

- NOTES:
- All linear dimensions are in millimeters. Dimensioning and tolerancing per ASME Y14.5M-1994.
 - This drawing is subject to change without notice.
 - QFN (Quad Flatpack No-Lead) Package configuration.
 - The package thermal pad must be soldered to the board for thermal and mechanical performance.
 - See the additional figure in the Product Data Sheet for details regarding the exposed thermal pad features and dimensions.
 - Package complies to JEDEC MO-220 variation VJJD-2.

THERMAL PAD MECHANICAL DATA

RHA (S-PVQFN-N40)

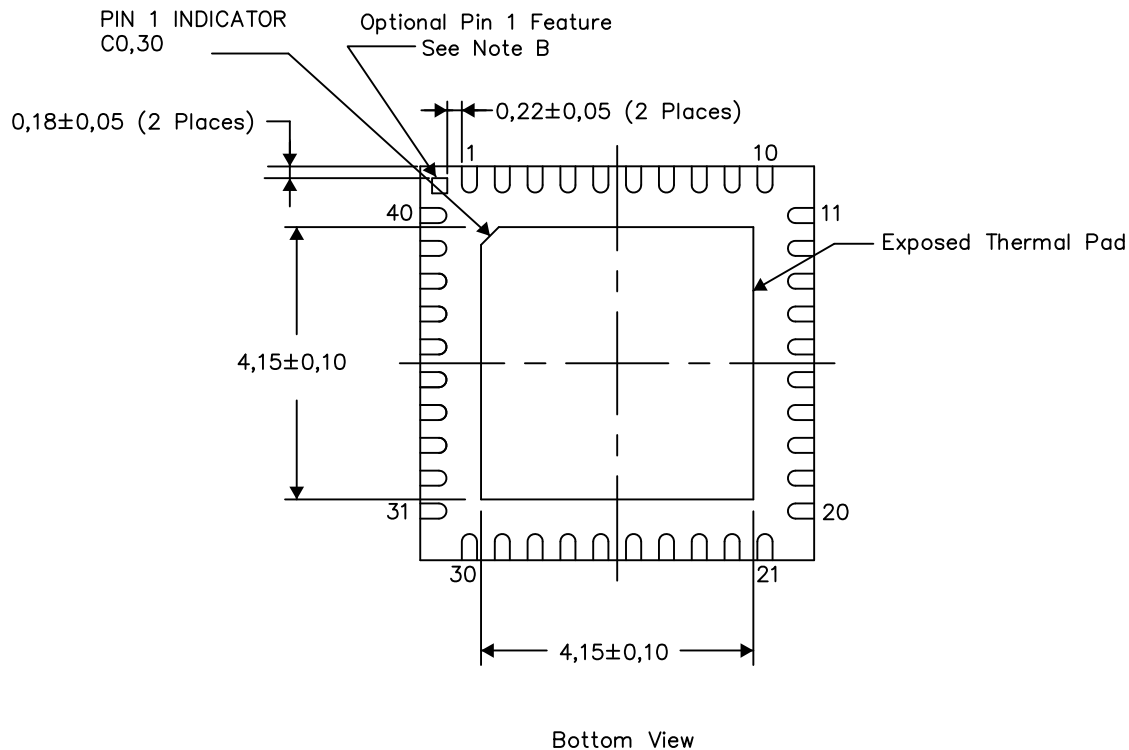
PLASTIC QUAD FLATPACK NO-LEAD

THERMAL INFORMATION

This package incorporates an exposed thermal pad that is designed to be attached directly to an external heatsink. The thermal pad must be soldered directly to the printed circuit board (PCB). After soldering, the PCB can be used as a heatsink. In addition, through the use of thermal vias, the thermal pad can be attached directly to the appropriate copper plane shown in the electrical schematic for the device, or alternatively, can be attached to a special heatsink structure designed into the PCB. This design optimizes the heat transfer from the integrated circuit (IC).

For information on the Quad Flatpack No-Lead (QFN) package and its advantages, refer to Application Report, QFN/SON PCB Attachment, Texas Instruments Literature No. SLUA271. This document is available at www.ti.com.

The exposed thermal pad dimensions for this package are shown in the following illustration.



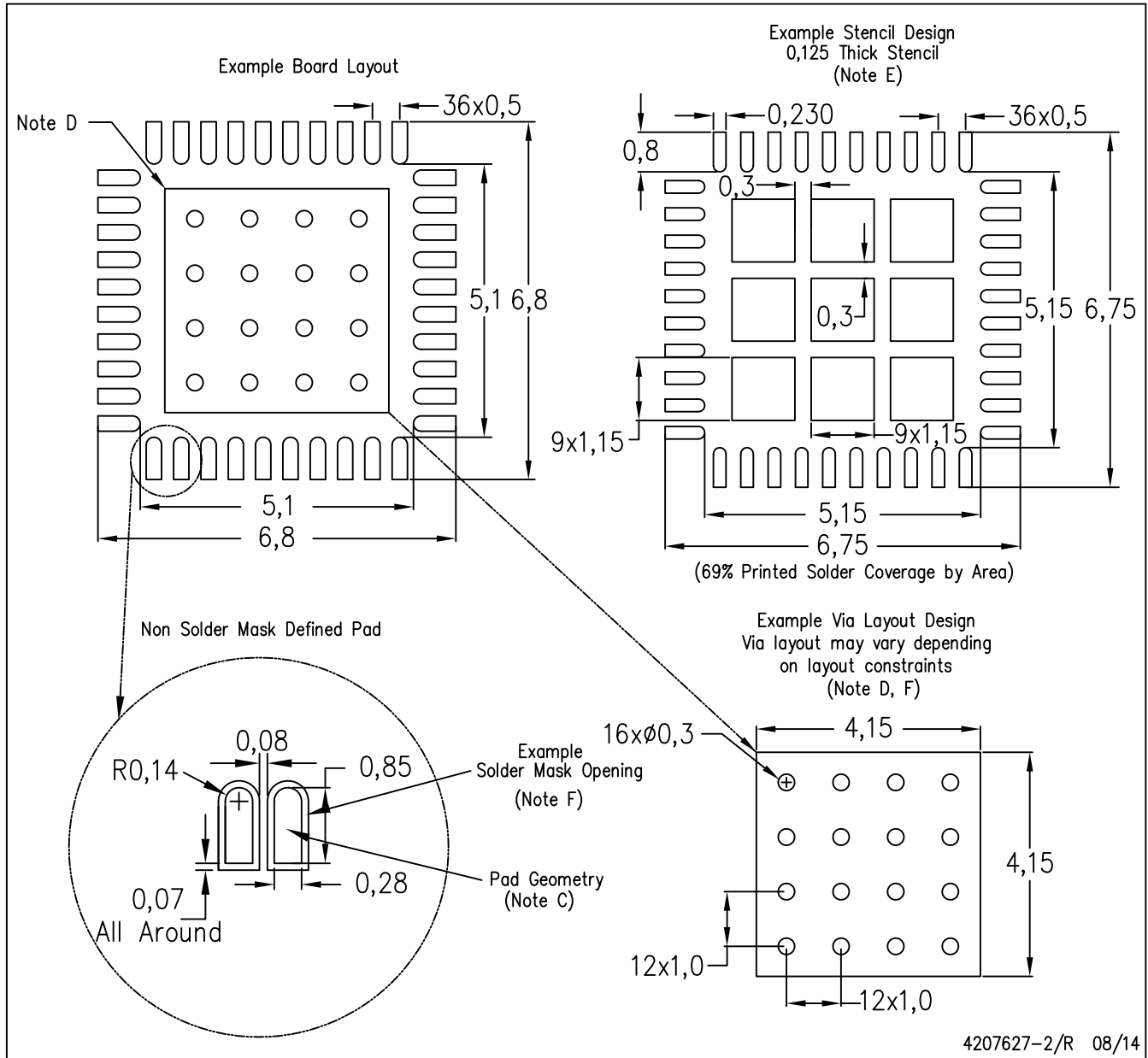
Exposed Thermal Pad Dimensions

4206355-2/X 08/14

- NOTES:
- A. All linear dimensions are in millimeters
 - B. The Pin 1 Identification mark is an optional feature that may be present on some devices
In addition, this Pin 1 feature if present is electrically connected to the center thermal pad and therefore should be considered when routing the board layout.

RHA (S-PVQFN-N40)

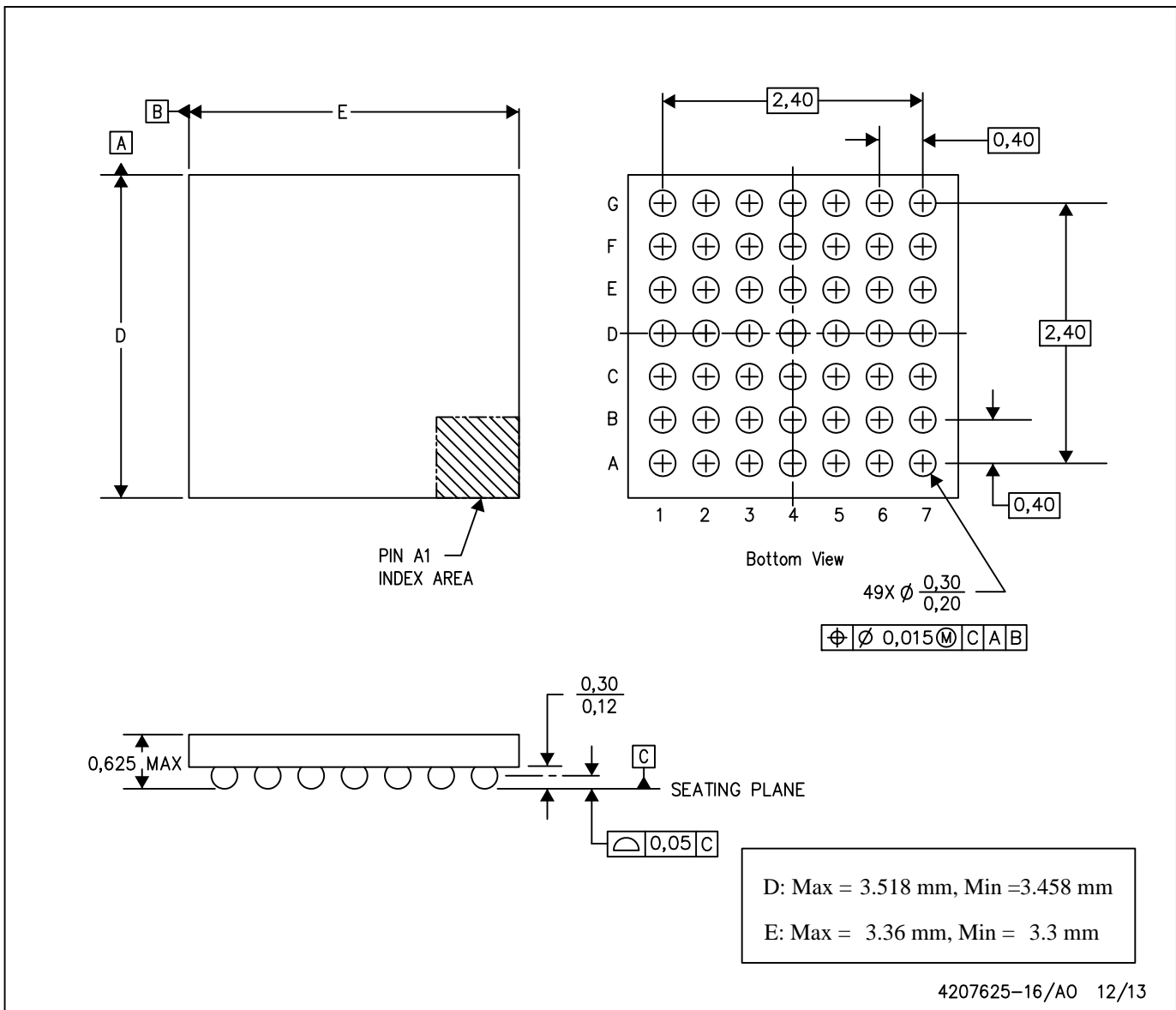
PLASTIC QUAD FLATPACK NO-LEAD



- NOTES:
- All linear dimensions are in millimeters.
 - This drawing is subject to change without notice.
 - Publication IPC-7351 is recommended for alternate designs.
 - This package is designed to be soldered to a thermal pad on the board. Refer to Application Note, Quad Flat-Pack Packages, Texas Instruments Literature No. SLUA271, and also the Product Data Sheets for specific thermal information, via requirements, and recommended board layout. These documents are available at www.ti.com <<http://www.ti.com>>.
 - Laser cutting apertures with trapezoidal walls and also rounding corners will offer better paste release. Customers should contact their board assembly site for stencil design recommendations. Refer to IPC 7525 for stencil design considerations.
 - Customers should contact their board fabrication site for recommended solder mask tolerances and via tenting recommendations for vias placed in the thermal pad.

YFF (R-XBGA-N49)

DIE-SIZE BALL GRID ARRAY



- NOTES: A. All linear dimensions are in millimeters. Dimensioning and tolerancing per ASME Y14.5M-1994.
 B. This drawing is subject to change without notice.
 C. NanoFree™ package configuration.

NanoFree is a trademark of Texas Instruments.

IMPORTANT NOTICE

Texas Instruments Incorporated and its subsidiaries (TI) reserve the right to make corrections, enhancements, improvements and other changes to its semiconductor products and services per JESD46, latest issue, and to discontinue any product or service per JESD48, latest issue. Buyers should obtain the latest relevant information before placing orders and should verify that such information is current and complete. All semiconductor products (also referred to herein as "components") are sold subject to TI's terms and conditions of sale supplied at the time of order acknowledgment.

TI warrants performance of its components to the specifications applicable at the time of sale, in accordance with the warranty in TI's terms and conditions of sale of semiconductor products. Testing and other quality control techniques are used to the extent TI deems necessary to support this warranty. Except where mandated by applicable law, testing of all parameters of each component is not necessarily performed.

TI assumes no liability for applications assistance or the design of Buyers' products. Buyers are responsible for their products and applications using TI components. To minimize the risks associated with Buyers' products and applications, Buyers should provide adequate design and operating safeguards.

TI does not warrant or represent that any license, either express or implied, is granted under any patent right, copyright, mask work right, or other intellectual property right relating to any combination, machine, or process in which TI components or services are used. Information published by TI regarding third-party products or services does not constitute a license to use such products or services or a warranty or endorsement thereof. Use of such information may require a license from a third party under the patents or other intellectual property of the third party, or a license from TI under the patents or other intellectual property of TI.

Reproduction of significant portions of TI information in TI data books or data sheets is permissible only if reproduction is without alteration and is accompanied by all associated warranties, conditions, limitations, and notices. TI is not responsible or liable for such altered documentation. Information of third parties may be subject to additional restrictions.

Resale of TI components or services with statements different from or beyond the parameters stated by TI for that component or service voids all express and any implied warranties for the associated TI component or service and is an unfair and deceptive business practice. TI is not responsible or liable for any such statements.

Buyer acknowledges and agrees that it is solely responsible for compliance with all legal, regulatory and safety-related requirements concerning its products, and any use of TI components in its applications, notwithstanding any applications-related information or support that may be provided by TI. Buyer represents and agrees that it has all the necessary expertise to create and implement safeguards which anticipate dangerous consequences of failures, monitor failures and their consequences, lessen the likelihood of failures that might cause harm and take appropriate remedial actions. Buyer will fully indemnify TI and its representatives against any damages arising out of the use of any TI components in safety-critical applications.

In some cases, TI components may be promoted specifically to facilitate safety-related applications. With such components, TI's goal is to help enable customers to design and create their own end-product solutions that meet applicable functional safety standards and requirements. Nonetheless, such components are subject to these terms.

No TI components are authorized for use in FDA Class III (or similar life-critical medical equipment) unless authorized officers of the parties have executed a special agreement specifically governing such use.

Only those TI components which TI has specifically designated as military grade or "enhanced plastic" are designed and intended for use in military/aerospace applications or environments. Buyer acknowledges and agrees that any military or aerospace use of TI components which have **not** been so designated is solely at the Buyer's risk, and that Buyer is solely responsible for compliance with all legal and regulatory requirements in connection with such use.

TI has specifically designated certain components as meeting ISO/TS16949 requirements, mainly for automotive use. In any case of use of non-designated products, TI will not be responsible for any failure to meet ISO/TS16949.

Products

| | |
|------------------------------|--|
| Audio | www.ti.com/audio |
| Amplifiers | amplifier.ti.com |
| Data Converters | dataconverter.ti.com |
| DLP® Products | www.dlp.com |
| DSP | dsp.ti.com |
| Clocks and Timers | www.ti.com/clocks |
| Interface | interface.ti.com |
| Logic | logic.ti.com |
| Power Mgmt | power.ti.com |
| Microcontrollers | microcontroller.ti.com |
| RFID | www.ti-rfid.com |
| OMAP Applications Processors | www.ti.com/omap |
| Wireless Connectivity | www.ti.com/wirelessconnectivity |

Applications

| | |
|-------------------------------|--|
| Automotive and Transportation | www.ti.com/automotive |
| Communications and Telecom | www.ti.com/communications |
| Computers and Peripherals | www.ti.com/computers |
| Consumer Electronics | www.ti.com/consumer-apps |
| Energy and Lighting | www.ti.com/energy |
| Industrial | www.ti.com/industrial |
| Medical | www.ti.com/medical |
| Security | www.ti.com/security |
| Space, Avionics and Defense | www.ti.com/space-avionics-defense |
| Video and Imaging | www.ti.com/video |

TI E2E Community

e2e.ti.com