

Accessories and Spare Parts for Safety Light Curtains

D

Power Supplies.....	page D48
Reset Switches.....	page D48
Shock Mount Kits.....	page D48
Mirrors.....	page D49
45° Mirror and Bracket.....	page D52
Mounting Accessories.....	page D52
Floor Stands.....	page D53
Test Objects.....	page D54
Laser Alignment Tool.....	page D54
Weld Slag Protective Shields.....	page D54
IP67 Enclosures.....	page D57

Power Supplies

For use with the Omron STI products such as the F3SJ and the MS4800, CE marked, DIN-rail mountable, Input: 115 or 230 VAC.

Part Number	Description
PS24V-50W	24 VDC power supply, 50 W, 2.1 A
PS24V-100W	24 VDC power supply, 100 W, 4.2 A

Reset Switches

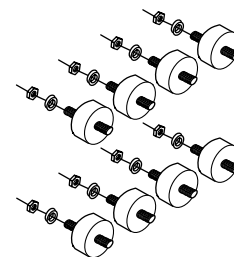
These switches can be mounted remotely and used to perform the reset function on all Omron STI safety light curtains.

Part Number	Description
43307-0010	Key Switch Assembly, Panel Mount
43307-0020	Push Button Switch Assembly, Panel Mount



Shock Mount Kits

These kits are used to isolate light curtain receivers and transmitters from possible sources of vibration. They can also be used to shock-mount controllers/power supplies and mirrors. Each kit consists of eight mounts.



Part Number	Description
42591	Shock Mounting Kit for Weight Class 2
41768	Shock Mounting Kit for Weight Class 3 and 4

MS/OF4600 Series	Weight Class
MS4600 Lengths 260-870	2
MS4600 Lengths 1045-1390	3
MS4600 Lengths 1570-2095	4
MS/MSF4800 Series	
MS/MSF4800 Lengths 280-960	2
MS/MSF4800 Lengths 1000-1400	3
MS/MSF4800 Lengths 1440-2120	4
PA4600 Series	
PA46-2-500	3
PA46-2-600	3
PA46-3-400	3
PA46-3-500	4
PA46-4-300	3
PA46-5-300	4
PA46-6-300	4

Mirrors

The correct mirror is important in maintaining the integrity of a safety light curtain system. Whenever an infrared beam strikes a mirror a certain percentage of the signal will be lost. In order to minimize this loss, glass and stainless steel mirrors from Omron STI use materials of the highest optical quality.

Mirror Material

Mirror Material	Percentage of range lost per mirror
Front Reflective Surface Glass	12%
Polished Stainless Steel	18%

Glass mirrors are built with front reflective surface glass. This material provides the minimum possible signal loss. For applications where the possibility of broken glass cannot be tolerated, wide, polished stainless steel mirrors are available.

Omron STI mirrors are available in both a narrow and a wide package. If space permits, the wide mirrors are recommended for ease of alignment. Narrow mirrors have 51 mm (2 in.) wide reflective surfaces and can be used on applications where space is limited or the range between the light curtain transmitter and receiver is short. Wide mirrors have 108 mm (4.25 in.) wide reflective surfaces and ease alignment on applications with a large perimeter or where there are no space limitations.

D

Net Range Using Mirrors (percentage of maximum range)

Material	No. of Mirrors Used			
	1	2	3	4
Glass	88%	77%	68%	60%
Stainless Steel	82%	67%	55%	45%

Length	Model Number	Weight kg/lb.	Model Number	Weight kg/lb.	Model Number	
	Narrow Glass		Wide Glass		Wide Stainless Steel*	Narrow Stainless Steel*†
102 mm (4 in.)	MIRN-04FG	0.8/1.74	MIRW-04FG	1.0/2.3	MIRW-04SS	MIR-04SS-ESD
152 mm (6 in.)			MIRW-06FG	1.3/2.8	MIRW-06SS	
203 mm (8 in.)	MIRN-08FG	1.0/2.36	MIRW-08FG	1.5/3.3	MIRW-08SS	MIR-08SS-ESD
305 mm (12 in.)	MIRN-12FG	1.4/2.98	MIRW-12FG	1.9/4.2	MIRW-12SS	MIR-12SS-ESD
406 mm (16 in.)	MIRN-16FG	1.6/3.60	MIRW-16FG	2.4/5.2	MIRW-16SS	MIR-16SS-ESD
457 mm (18 in.)			MIRW-18FG	2.5/5.6	MIRW-18SS	
508 mm (20 in.)	MIRN-20FG	1.9/4.22	MIRW-20FG	2.8/6.1	MIRW-20SS	MIR-20SS-ESD
610 mm (24 in.)	MIRN-24FG	2.2/4.84	MIRW-24FG	3.2/7.1	MIRW-24SS	MIR-24SS-ESD
711 mm (28 in.)	MIRN-28FG	2.5/5.46	MIRW-28FG	3.7/8.1	MIRW-28SS	MIR-28SS-ESD
762 mm (30 in.)			MIRW-30FG	3.8/8.5	MIRW-30SS	
813 mm (32 in.)	MIRN-32FG	2.8/6.08	MIRW-32FG	4.0/9.0	MIRW-32SS	MIR-32SS-ESD
913 mm (36 in.)	MIRN-36FG	3.0/6.70	MIRW-36FG	4.5/9.9	MIRW-36SS	MIR-36SS-ESD
1016 mm (40 in.)	MIRN-40FG	3.3/7.32	MIRW-40FG	5.0/10.9	MIRW-40SS	MIR-40SS-ESD
1067 mm (42 in.)			MIRW-42FG	5.2/11.4	MIRW-42SS	
1118 mm (44 in.)	MIRN-44FG	3.6/7.94	MIRW-44FG	5.4/11.9	MIRW-44SS	MIR-44SS-ESD
1219 mm (48 in.)	MIRN-48FG	3.9/8.56	MIRW-48FG	5.9/12.9	MIRW-48SS	MIR-48SS-ESD
1321 mm (52 in.)			MIRW-52FG	5.3/13.8	MIRW-52SS	
1372 mm (54 in.)			MIRW-54FG	6.5/14.3	MIRW-54SS	
1422 mm (56 in.)			MIRW-56FG	6.7/14.8	MIRW-56SS	
1524 mm (60 in.)			MIRW-60FG	7.2/15.8	MIRW-60SS	
1626 mm (64 in.)			MIRW-64FG	7.6/16.8	MIRW-64SS	
1830 mm (72 in.)			MIRW-72FG	8.5/18.6	MIRW-72SS	
2134 mm (84 in.)			MIRW-84FG	9.8/21.5	MIRW-84SS	
2440 mm (96 in.)			MIRW-96FG	11.0/24.3	MIRW-96SS	

* Consult factory for weights.

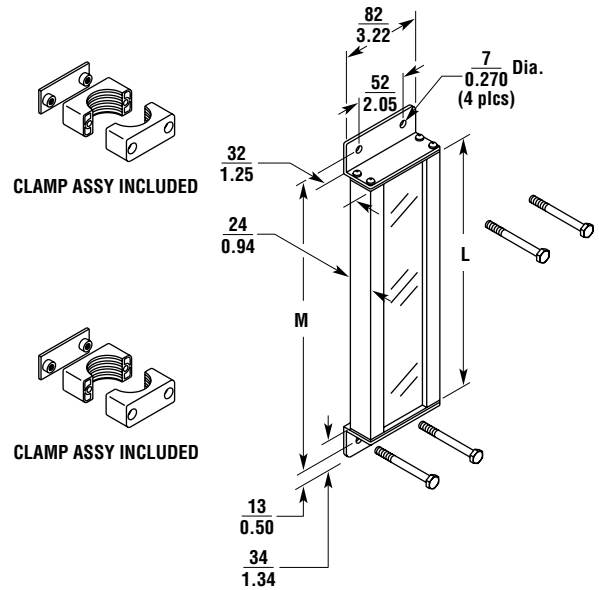
† Use for ESD applications

Mirrors (continued)

Narrow Mirror Package (MIRN)

Narrow Mirror Dimensions— Front Reflective Surface Glass

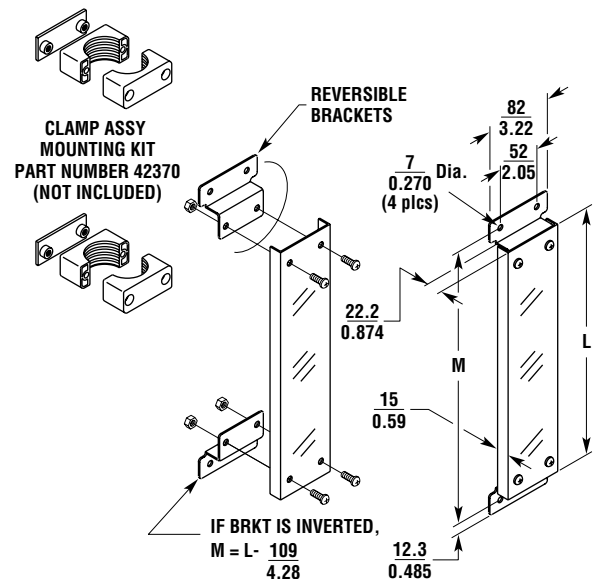
Part Number	Dimension L mm/in.	Dimension M mm/in.
MIRN-04FG	152/6.0	195/7.68
MIRN-08FG	254/10.0	297/11.68
MIRN-12FG	356/14.0	398/15.68
MIRN-16FG	457/18.0	500/19.68
MIRN-20FG	559/22.0	601/23.68
MIRN-24FG	660/26.0	703/27.68
MIRN-28FG	762/30.0	805/31.68
MIRN-32FG	864/34.0	906/35.68
MIRN-36FG	965/38.0	1008/39.68
MIRN-40FG	1067/42.0	1109/43.68
MIRN-44FG	1168/46.0	1211/47.68
MIRN-48FG	1270/50.0	1313/51.68



Narrow Mirror Dimensions— Stainless Steel Reflective Surface

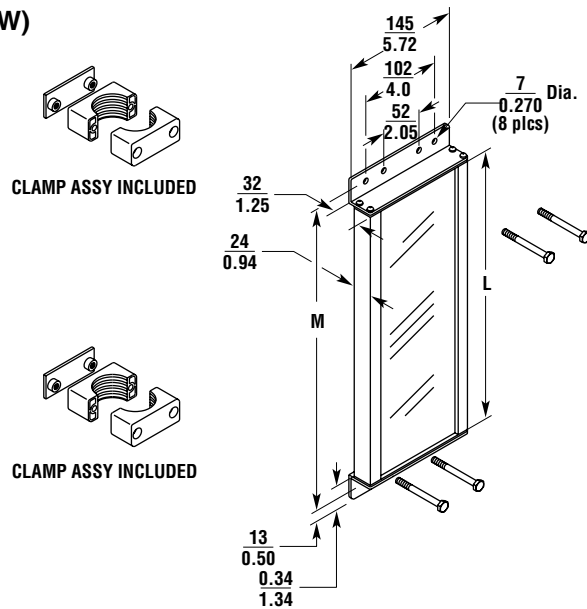
Part Number	Dimension L mm/in.	Dimension M mm/in.
MIR-04SS-ESD	203/8.0	236/9.28
MIR-08SS-ESD	305/12.0	337/13.28
MIR-12SS-ESD	406/16.0	439/17.28
MIR-16SS-ESD	508/20.0	541/21.28
MIR-20SS-ESD	610/24.0	642/25.28
MIR-24SS-ESD	711/28.0	744/29.28
MIR-28SS-ESD	813/32.0	845/33.28
MIR-32SS-ESD	914/36.0	947/37.28
MIR-36SS-ESD	1016/40.0	1049/41.28
MIR-40SS-ESD	1118/44.0	1150/45.28
MIR-44SS-ESD	1219/48.0	1252/49.28
MIR-48SS-ESD	1321/52.0	1353/53.28

Notes: Use for ESD applications.
Use mounting kit Model Number 42370 to mount to Omron STI stands.



Mirrors (continued)

Wide Mirror Package (MIRW)



Wide Mirror Dimensions— Front Reflective Surface Glass

Part Number	Dimension L mm/in.	Dimension M mm/in.
MIRW-04	140/5.5	182/7.18
MIRW-06	191/7.5	233/9.18
MIRW-08	241/9.5	284/11.18
MIRW-12	343/13.5	386/15.18
MIRW-16	445/17.5	487/19.18
MIRW-18	495/19.5	538/21.18
MIRW-20	546/21.5	589/23.18
MIRW-24	648/25.5	690/27.18
MIRW-28	749/29.5	792/31.18
MIRW-30	800/31.5	843/33.18
MIRW-32	851/33.5	894/35.18
MIRW-36	953/37.5	995/39.18
MIRW-40	1054/41.5	1097/43.18
MIRW-42	1105/43.5	1148/45.18
MIRW-44	1156/45.5	1198/47.18
MIRW-48	1257/49.5	1300/51.18
MIRW-52	1359/53.5	1402/55.18
MIRW-54	1410/55.5	1452/57.18
MIRW-56	1461/57.5	1503/59.18
MIRW-60	1562/61.5	1605/63.18
MIRW-64	1664/65.5	1706/67.18
MIRW-72	1867/73.5	1910/75.18
MIRW-84	2172/85.5	2214/87.18
MIRW-96	2477/97.5	2519/99.18

Wide Mirror Dimensions— Stainless Steel Reflective Surface

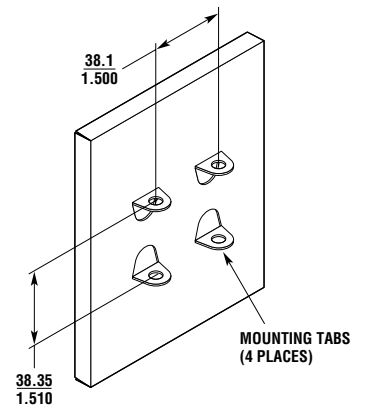
Part Number	Dimension L mm/in.	Dimension M mm/in.
MIRW-04SS	140/5.5	182/7.18
MIRW-06SS	191/7.5	233/9.18
MIRW-08SS	241/9.5	284/11.18
MIRW-12SS	343/13.5	386/15.18
MIRW-16SS	445/17.5	487/19.18
MIRW-18SS	495/19.5	538/21.18
MIRW-20SS	546/21.5	589/23.18
MIRW-24SS	648/25.5	690/27.18
MIRW-28SS	749/29.5	792/31.18
MIRW-30SS	800/31.5	843/33.18
MIRW-32SS	851/33.5	894/35.18
MIRW-36SS	953/37.5	995/39.18
MIRW-40SS	1054/41.5	1097/43.18
MIRW-42SS	1105/43.5	1148/45.18
MIRW-44SS	1156/45.5	1198/47.18
MIRW-48SS	1257/49.5	1300/51.18
MIRW-52SS	1359/53.5	1402/55.18
MIRW-54SS	1410/55.5	1452/57.18
MIRW-56SS	1461/57.5	1503/59.18
MIRW-60SS	1562/61.5	1605/63.18
MIRW-64SS	1664/65.5	1706/67.18
MIRW-72SS	1867/73.5	1910/75.18
MIRW-84SS	2172/85.5	2214/87.18
MIRW-96SS	2477/97.5	2519/99.18

45° Mirror and Bracket

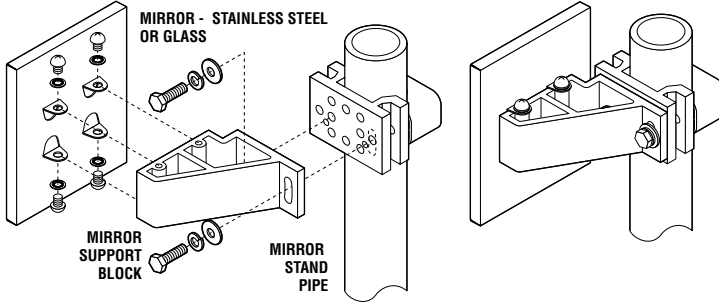
Use with PA4600 applications using a "double-bounce" arrangement.

Part Number	Description
MIR45-FG	4 in. front reflective surface glass mirror for use with MIR45BKT
MIR45-SS	4 in. polished stainless steel mirror for use with MIR45BKT
MIR45-BKT	Bracket for mounting MIR45 to Omron STI stand at 45° angle

MIR45-FG and MIR45-SS



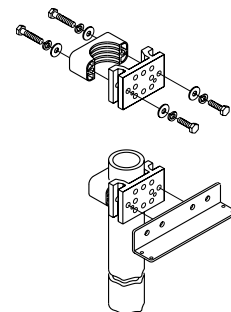
MIR45-BKT



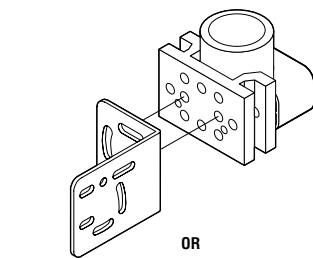
Mounting Accessories

Model Number	Description
LCMK-4	Allows a transmitter/receiver pair of any model Omron STI light curtain to be mounted to Omron STI stands.
BSMK	Allows mounting of one BeamSafe II transmitter and one BeamSafe II receiver to Omron STI mounting stands.
ESBKT	Allows mounting of BSMK, LCMK-4 and MIR45-BKT components to extruded aluminum framing systems and other flat surfaces. Four required for use with LCMK-4, two required for use with BSMK, and one required for use with each MIR45-BKT.
MIR-BKT	Mirror mounting brackets, will mount to Omron STI stands.

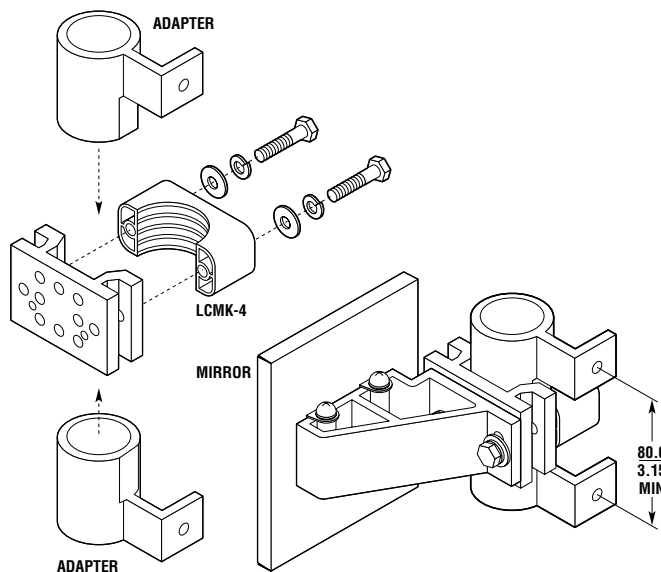
LCMK-4



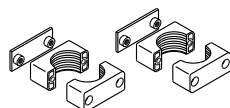
BSMK



ESBKT (INCLUDES ADAPTERS ONLY)



MIRROR MOUNTING BRACKETS MODEL MIR-BKT

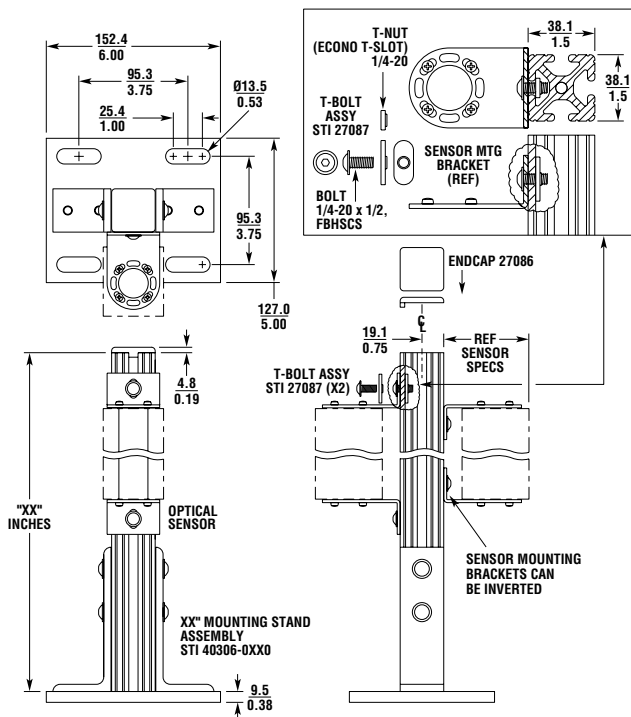


Floor Stands

Light Duty Floor Stands

Light curtains and perimeter guards used to detect the torso of personnel have specific mounting requirements per ANSI/RIA R15.06 and other standards. These light duty stands are ideal for mounting the bottom beam of the light curtain or perimeter guard within the required 0.3 m (12 in.) from the floor. The new Light Duty Floor Stand is a cost effective alternative to our more robust heavy duty stand, and mounting hardware is included.

Model Number	Description	Height m/in.
PA-STAND-40	Light-Duty Floor Stand	1.0/40
PA-STAND-44	Light-Duty Floor Stand	1.1/44
PA-STAND-48	Light-Duty Floor Stand	1.2/48
PA-STAND-52	Light-Duty Floor Stand	1.3/52
PA-STAND-56	Light-Duty Floor Stand	1.4/56
PA-STAND-64	Light Duty Floor Stand	1.6/64
PA-STAND-72	Light Duty Floor Stand	1.8/72

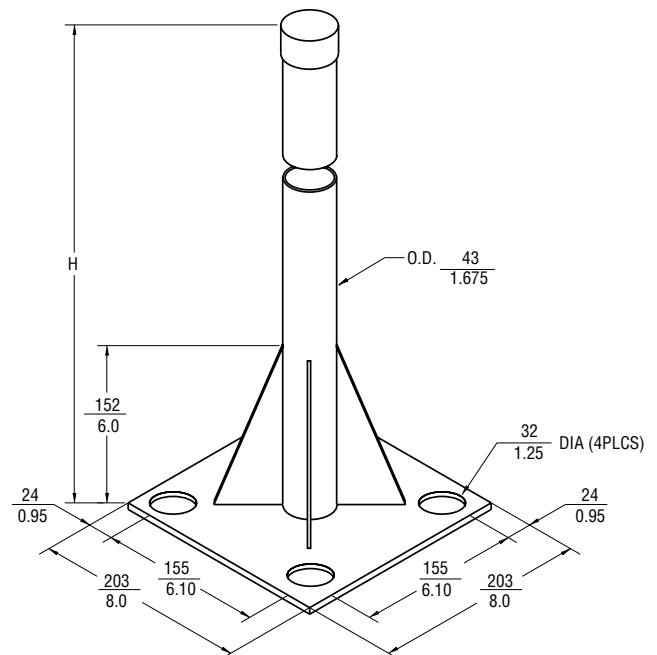


D

Heavy Duty Floor Stands

Omron STI stands provide a stable, secure method for mounting both safety light curtains and mirrors. Hardware for mounting stand to concrete floor is included.

Model Number	Part Number	Height m/ft.	Weight kg/lb.
MIRS-04	42338-0040	1.2/4	8.8/19.3
MIRS-06	42338-0060	1.8/6	11.2/24.7
MIRS-07	42338-0070	2.1/7	12.5/27.4
MIRS-08	42338-0080	2.4/8	13.7/30.1
MIRS-10	42338-0100	3.1/10	16.1/35.4



Test Objects

Replacement test objects can be ordered by part number. Make sure you order the test object for the correct light curtain model.

Part Number	Description
STI-TO20	Test object, 19.1 mm (0.75 in.) for MS4600-20 and MS4800-20
STI-TO30	Test object, 30 mm (1.18 in.) for MS4600-30, and MS4800-30
STI-TO14	Test object, 14 mm (0.55 in.) for MS4600-14, and MS4800-14
STI-TO53	Test object, 53 mm (1.97 in.) for OF4600-50
STI-TO40	Test object, 40 mm (1.57 in.) for MS4800-40
STI-TO24	Test object, 24 mm (0.94 in.) for MS4800-14 (with floating blanking 1-beam)
STI-TO34	Test object, 34 mm (1.34 in.) for MS4800-14 (with floating blanking 2-beam)

D

Laser Alignment Tool

To assist with long-range alignment of installations. Tool includes precision laser tool, mounting brackets and associated targets and sturdy carrying case. Requires 3 AA batteries (included).

Model Number	Description
46LA	Laser alignment tool for use with MS4600, PA4600, MS4800

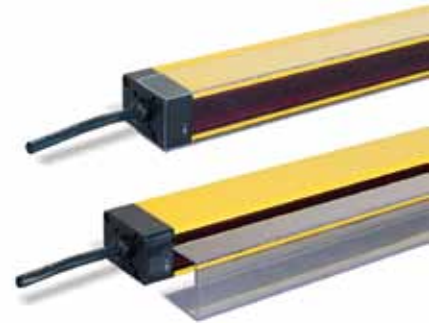


46LA

Weld Slag Protective Shields

- Available for the PA4600, F3SJ, MS4800 and MS4600 families
- Reduces down time and increases the life of the curtain
- Resistant to many chemicals and compounds
- Easy to install and replace
- Lexan® construction

These protective shields are designed to protect the light curtains, when used in harsh applications. In many cases, welding cell applications produce hot weld slag that over time may damage the lens (filter) and degrade the light curtain's performance. These covers offer the user the ability to easily and inexpensively reduce machine down time. The covers are available to fit all sizes.



Chemical Resistance of Lexan®

Chemical Class		Effects
Acids	R	No significant effect under most typical conditions of concentration and temperature.
Alcohols	LR	Generally compatible at low concentration and room temperature. Higher concentrations and elevated temperatures can result in etching and attack evidenced by decomposition.
Alkalis	LR	Generally compatible at low concentration and room temperature. Higher concentrations and elevated temperatures can result in etching and attack evidenced by decomposition.
Aliphatic Hydrocarbons	R	Generally compatible.
Amines	NR	Surface crystallization and chemical attack.
Aromatic Hydrocarbons	NR	Partial solvents and severe stress cracking agents (i.e. xylene, toluene).
Detergents and Cleaners	LR	Mild soap solutions are generally compatible.
Detergents and Cleaners, with Alkaline Materials	NR	
Esters	NR	Cause severe crystallization. Partial solvents.
Greases and Oils	LR	Pure petroleum types generally compatible.
Halogenerated Hydrocarbons	NR	Solvents.
Ketones	NR	Cause severe crystallization and stress cracking. Partial solvents.
Silicone Oil and Greases	LR	Generally compatible up to 85°C (185°F).
Silicone Oil and Greases, with Alkaline Materials	NR	

KEY:
R - Resistant
LR - Limited Resistance
NR - Not Resistant

Notes:

Lexan® is a registered trademark of G.E. General Electric Corp.

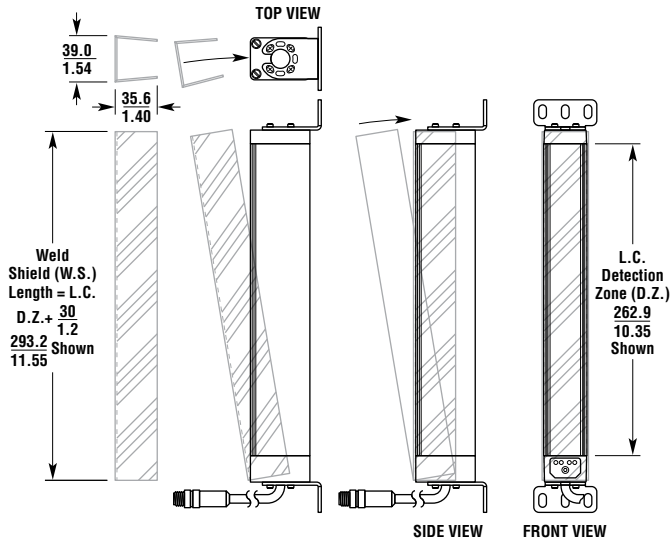
Certain combinations of chemical environments, temperature and stress can adversely affect thermoplastic parts made from LEXAN resin. For this reason, lubricants, gaskets, O-rings, cleaning solvents, or any other material which may come in contact with the finished part must be carefully evaluated under end-use conditions for compatibility. You should also follow the use and compatibility recommendations of the manufacturer of any such material.

LEXAN resin generally is stable to water, mineral acids and organic acids. crazing and/or embrittlement may occur if a part molded from LEXAN resin is highly stressed and exposed to hot water or a moist high-temperature environment. As a result, a temperature limit of 60 to 71°C (140 to 160°F) is recommended under these conditions.

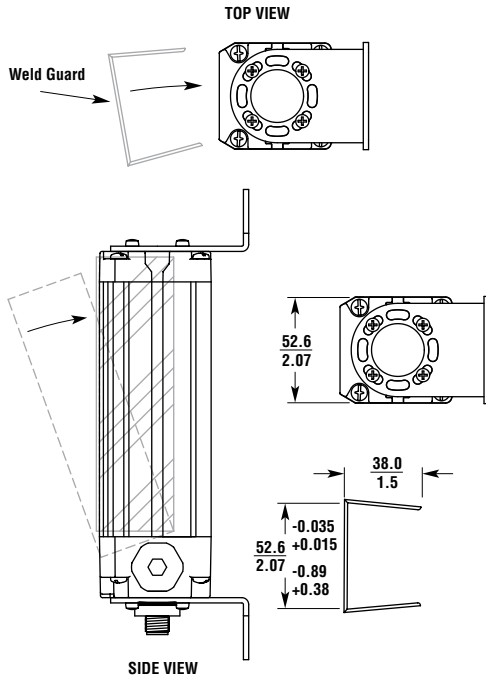
Weld Slag Protective Shields (continued)

Dimensions—mm/in.

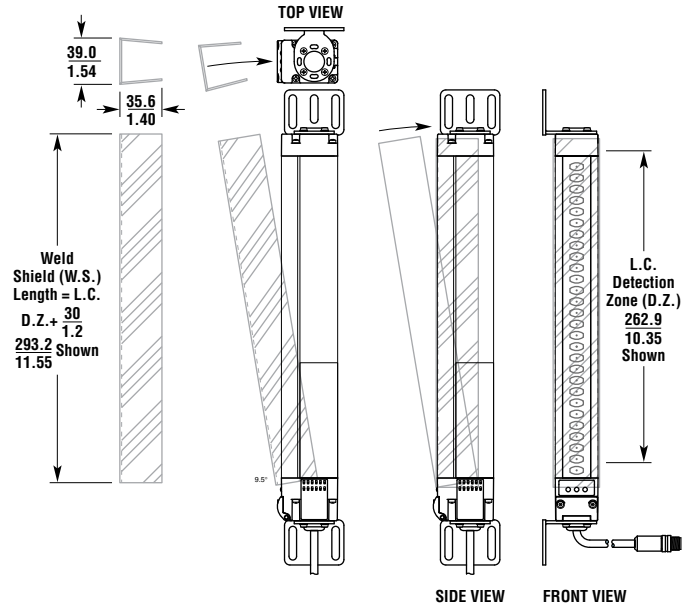
MS4600 Light Curtain (L.C.)



PA4600 Perimeter Access Guarding Device



MS4800 Light Curtain (L.C.)



Weld Slag Protective Shields (continued)

Model Number	Description	mm/in.
Lexan Weld Shield Kit for PA4600		
PA4600WS-1	PA4600-1-000 weld shield kit (1 pair)	135/5.3
PA4600WS-2	PA4600 weld shield kit (1 pair)	180/7.1
PA4600WS-4	PA4600 weld shield kit (2 pairs)	180/7.1
Lexan Weld Shield Kit for MS4600 and OF4600-50*		
MS46WS-KT-0260	260 mm Kit	293/11.54
MS46WS-KT-0350	350 mm Kit	380/14.96
MS46WS-KT-0435	435 mm Kit	467/18.39
MS46WS-KT-0520	520 mm Kit	554/21.81
MS46WS-KT-0610	610 mm Kit	641/25.24
MS46WS-KT-0700	700 mm Kit	728/28.66
MS46WS-KT-0785	785 mm Kit	815/32.09
MS46WS-KT-0870	870 mm Kit	902/35.51
MS46WS-KT-0955	955 mm Kit	989/38.94
MS46WS-KT-1045	1045 mm Kit	1075/42.32
MS46WS-KT-1130	1130 mm Kit	1163/45.79
MS46WS-KT-1215	1215 mm Kit	1249/49.17
MS46WS-KT-1305	1305 mm Kit	1336/52.60
MS46WS-KT-1390	1390 mm Kit	1423/56.02
MS46WS-KT-1570	1570 mm Kit	1597/62.87
MS46WS-KT-1745	1745 mm Kit	1771/69.72
MS46WS-KT-1920	1920 mm Kit	1945/76.57
MS46WS-KT-2095	2095 mm Kit	2120/83.46

Model Number	Description	mm/in.
Lexan Weld Shield Kit for MS4800*		
MS4800WS-0240	240 mm Kit	270/10.63
MS4800WS-0280	280 mm Kit	310/12.21
MS4800WS-0320	360 mm Kit	350/13.78
MS4800WS-0360	360 mm Kit	390/15.35
MS4800WS-0400	400mm Kit	430/16.93
MS4800WS-0440	440 mm Kit	470/18.50
MS4800WS-0480	480 mm Kit	510/20.08
MS4800WS-0520	520 mm Kit	550/21.65
MS4800WS-0560	560 mm Kit	590/23.23
MS4800WS-0600	600 mm Kit	630/24.80
MS4800WS-0640	640 mm Kit	670/26.38
MS4800WS-0680	680 mm Kit	710/27.95
MS4800WS-0720	720 mm Kit	750/29.53
MS4800WS-0760	760 mm Kit	790/31.10
MS4800WS-0800	800 mm Kit	830/32.68
MS4800WS-0840	840 mm Kit	870/34.25
MS4800WS-0880	880 mm Kit	910/35.83
MS4800WS-0920	920 mm Kit	950/37.40
MS4800WS-0960	960 mm Kit	990/38.98
MS4800WS-1000	1000 mm Kit	1030/40.55
MS4800WS-1040	1040 mm Kit	1070/42.13
MS4800WS-1080	1080 mm Kit	1110/43.70
MS4800WS-1120	1120 mm Kit	1150/45.28
MS4800WS-1160	1160 mm Kit	1190/46.85
MS4800WS-1200	1200 mm Kit	1230/48.43
MS4800WS-1240	1240 mm Kit	1270/50.00
MS4800WS-1280	1280 mm Kit	1310/51.57
MS4800WS-1320	1320 mm Kit	1350/53.15
MS4800WS-1360	1360 mm Kit	1390/54.72
MS4800WS-1400	1400 mm Kit	1430/56.30
MS4800WS-1440	1440 mm Kit	1470/57.87
MS4800WS-1480	1480 mm Kit	1510/59.45
MS4800WS-1520	1520 mm Kit	1550/61.02
MS4800WS-1560	1560 mm Kit	1590/62.60
MS4800WS-1600	1600 mm Kit	1630/64.17
MS4800WS-1640	1640 mm Kit	1670/65.75
MS4800WS-1680	1680 mm Kit	1710/67.32
MS4800WS-1720	1720 mm Kit	1750/68.90
MS4800WS-1760	1760 mm Kit	1790/70.47
MS4800WS-1800	1800 mm Kit	1830/72.05
MS4800WS-1840	1840 mm Kit	1870/73.62
MS4800WS-1880	1880 mm Kit	1910/75.20
MS4800WS-1920	1920 mm Kit	1950/76.77
MS4800WS-1960	1960 mm Kit	1990/78.35
MS4800WS-2000	2000 mm Kit	2030/79.92
MS4800WS-2040	2040 mm Kit	2070/81.50
MS4800WS-2080	2080 mm Kit	2110/83.07
MS4800WS-2120	2120 mm Kit	2150/84.65

*MS4600 and MS4800 weld shield kits consists of one pair.

D

IP67 Enclosures for Mounting Safety Light Curtains in Wash-down Applications

- Available in the full range of sizes
- Reduces down time and increases the life of the light curtain
- Resistant to many chemicals and compounds (see tables on subsequent pages)
- Improved mounting system
- Reinforced stainless steel brackets

The IP67 Enclosure is designed for washdown applications. The enclosure is constructed with an acrylic tube. The brackets are made of stainless steel. The radial seal prevents fluids from coming in contact with the safety light curtain.

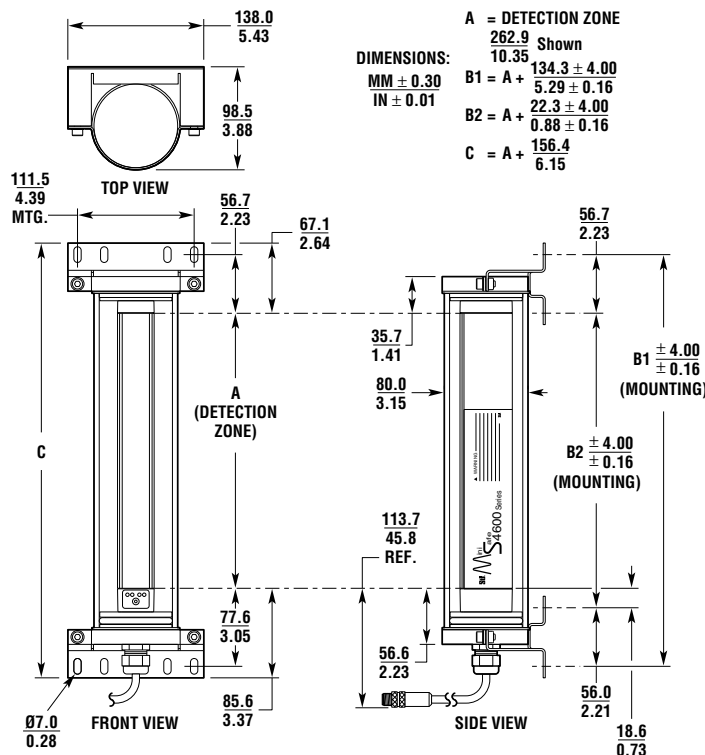
Operating characteristics of the light curtain are affected by the enclosure. The range is reduced by 10% and the effective aperture angle changes to less than $\pm 3^\circ$.



D

Dimensions—mm/in.

MS4600 IP67 Enclosure

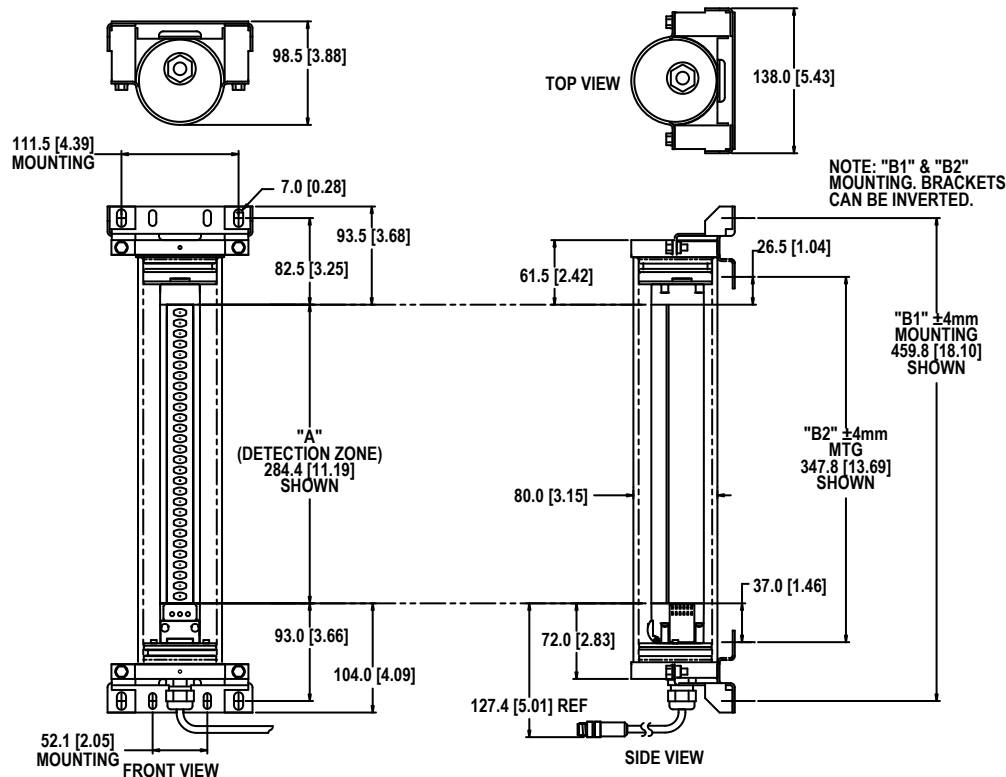


IP67 Model	Light Curtain Model	A mm/in.
MS46-IP67-260	MS46-X/R-260- 14/20	262.9/10.35
MS46-IP67-350	MS46-X/R-350- 14/20/30	350.0/13.78
MS46-IP67-435	MS46-X/R-435- 14/20	436.9/17.20
MS46-IP67-520	MS46-X/R-520- 14/20/30	523.8/20.62
MS46-IP67-610	MS46-X/R-610- 14/20	610.9/24.05
MS46-IP67-700	MS46-X/R-700- 14/20/30	697.7/27.47
MS46-IP67-785	MS46-X/R-785- 14/20	784.6/30.89
MS46-IP67-870	MS46-X/R-870- 14/20/30	871.7/34.32
MS46-IP67-955	MS46-X/R-955- 14/20	958.6/37.74
MS46-IP67-1045	MS46-X/R-1045- 14/20/30	1045.5/41.16
MS46-IP67-1130	MS46-X/R-1130- 14/20	1132.8/44.60
MS46-IP67-1215	MS46-X/R-1215- 14/20/30	1219.5/48.01
MS46-IP67-1305	MS46-X/R-1305- 14/20	1306.3/51.43
MS46-IP67-1390	MS46-X/R-1390- 14/20/30	1393.4/54.86
MS46-IP67-1570	MS46-X/R-1570- 30	1480.6/58.29
MS46-IP67-1745	MS46-X/R-1745- 30	1741.4/68.56
MS46-IP67-1920	MS46-X/R-1920- 30	1915.4/75.41
MS46-IP67-2095	MS46-X/R-2095- 30	2089.7/82.27

IP67 Enclosures (continued)

Dimensions—mm/in.

MS4800 IP67 Enclosure



IP67 Enclosures for MS4800 (non-cascaded versions)

Model Number	
MS4800-IP67-0240	Kit for MS4800 240 mm
MS4800-IP67-0280	Kit for MS4800 280 mm
MS4800-IP67-0320	Kit for MS4800 320 mm
MS4800-IP67-0360	Kit for MS4800 360 mm
MS4800-IP67-0400	Kit for MS4800 400 mm
MS4800-IP67-0440	Kit for MS4800 440 mm
MS4800-IP67-0480	Kit for MS4800 480 mm
MS4800-IP67-0520	Kit for MS4800 520 mm
MS4800-IP67-0560	Kit for MS4800 560 mm
MS4800-IP67-0600	Kit for MS4800 600 mm
MS4800-IP67-0640	Kit for MS4800 640 mm
MS4800-IP67-0680	Kit for MS4800 680 mm
MS4800-IP67-0720	Kit for MS4800 720 mm
MS4800-IP67-0760	Kit for MS4800 760 mm
MS4800-IP67-0800	Kit for MS4800 800 mm
MS4800-IP67-0840	Kit for MS4800 840 mm

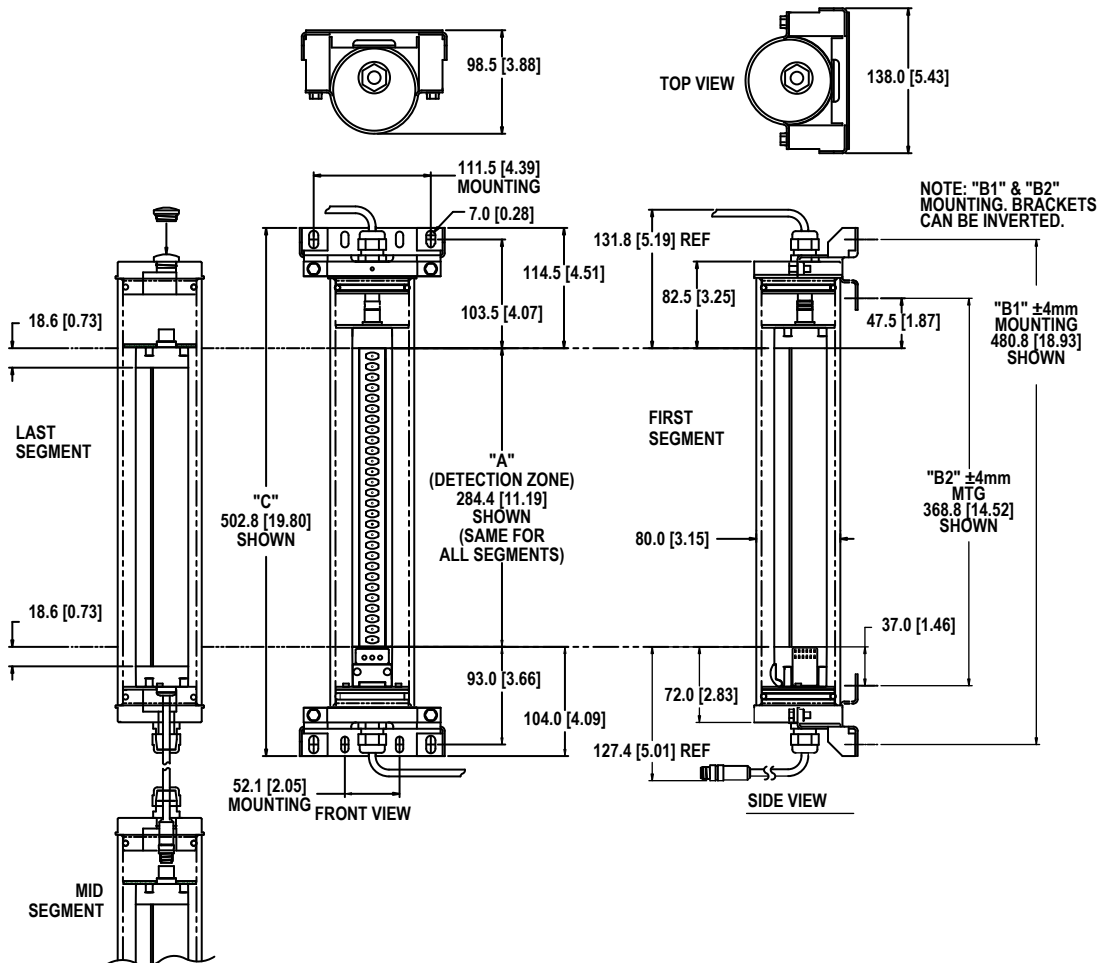
Model Number	
MS4800-IP67-0880	Kit for MS4800 880 mm
MS4800-IP67-0920	Kit for MS4800 920 mm
MS4800-IP67-0960	Kit for MS4800 960 mm
MS4800-IP67-1000	Kit for MS4800 1000 mm
MS4800-IP67-1040	Kit for MS4800 1040 mm
MS4800-IP67-1080	Kit for MS4800 1080 mm
MS4800-IP67-1120	Kit for MS4800 1120 mm
MS4800-IP67-1160	Kit for MS4800 1160 mm
MS4800-IP67-1200	Kit for MS4800 1200 mm
MS4800-IP67-1240	Kit for MS4800 1240 mm
MS4800-IP67-1280	Kit for MS4800 1280 mm
MS4800-IP67-1320	Kit for MS4800 1320 mm
MS4800-IP67-1360	Kit for MS4800 1360 mm
MS4800-IP67-1400	Kit for MS4800 1400 mm
MS4800-IP67-1440	Kit for MS4800 1440 mm
MS4800-IP67-1480	Kit for MS4800 1480 mm

Model Number	
MS4800-IP67-1520	Kit for MS4800 1520 mm
MS4800-IP67-1560	Kit for MS4800 1560 mm
MS4800-IP67-1600	Kit for MS4800 1600 mm
MS4800-IP67-1640	Kit for MS4800 1640 mm
MS4800-IP67-1680	Kit for MS4800 1680 mm
MS4800-IP67-1720	Kit for MS4800 1720 mm
MS4800-IP67-1760	Kit for MS4800 1760 mm
MS4800-IP67-1800	Kit for MS4800 1800 mm
MS4800-IP67-1840	Kit for MS4800 1840 mm
MS4800-IP67-1880	Kit for MS4800 1880 mm
MS4800-IP67-1920	Kit for MS4800 1920 mm
MS4800-IP67-1960	Kit for MS4800 1960 mm
MS4800-IP67-2000	Kit for MS4800 2000 mm
MS4800-IP67-2040	Kit for MS4800 2040 mm
MS4800-IP67-2080	Kit for MS4800 2080 mm
MS4800-IP67-2120	Kit for MS4800 2120 mm

IP67 Enclosures (continued)

Dimensions—mm/in.

MSF4800 IP67 Enclosure



IP67 Enclosures for MSF4800 (cascaded versions)

Model Number	
MSF4800-IP67-0240	Kit for MSF4800 240 mm
MSF4800-IP67-0280	Kit for MSF4800 280 mm
MSF4800-IP67-0320	Kit for MSF4800 320 mm
MSF4800-IP67-0360	Kit for MSF4800 360 mm
MSF4800-IP67-0400	Kit for MSF4800 400 mm
MSF4800-IP67-0440	Kit for MSF4800 440 mm
MSF4800-IP67-0480	Kit for MSF4800 480 mm
MSF4800-IP67-0520	Kit for MSF4800 520 mm
MSF4800-IP67-0560	Kit for MSF4800 560 mm
MSF4800-IP67-0600	Kit for MSF4800 600 mm
MSF4800-IP67-0640	Kit for MSF4800 640 mm
MSF4800-IP67-0680	Kit for MSF4800 680 mm
MSF4800-IP67-0720	Kit for MSF4800 720 mm
MSF4800-IP67-0760	Kit for MSF4800 760 mm
MSF4800-IP67-0800	Kit for MSF4800 800 mm
MSF4800-IP67-0840	Kit for MSF4800 840 mm

Model Number	
MSF4800-IP67-0880	Kit for MSF4800 880 mm
MSF4800-IP67-0920	Kit for MSF4800 920 mm
MSF4800-IP67-0960	Kit for MSF4800 960 mm
MSF4800-IP67-1000	Kit for MSF4800 1000 mm
MSF4800-IP67-1040	Kit for MSF4800 1040 mm
MSF4800-IP67-1080	Kit for MSF4800 1080 mm
MSF4800-IP67-1120	Kit for MSF4800 1120 mm
MSF4800-IP67-1160	Kit for MSF4800 1160 mm
MSF4800-IP67-1200	Kit for MSF4800 1200 mm
MSF4800-IP67-1240	Kit for MSF4800 1240 mm
MSF4800-IP67-1280	Kit for MSF4800 1280 mm
MSF4800-IP67-1320	Kit for MSF4800 1320 mm
MSF4800-IP67-1360	Kit for MSF4800 1360 mm
MSF4800-IP67-1400	Kit for MSF4800 1400 mm
MSF4800-IP67-1440	Kit for MSF4800 1440 mm
MSF4800-IP67-1480	Kit for MSF4800 1480 mm

Model Number	
MSF4800-IP67-1520	Kit for MSF4800 1520 mm
MSF4800-IP67-1560	Kit for MSF4800 1560 mm
MSF4800-IP67-1600	Kit for MSF4800 1600 mm
MSF4800-IP67-1640	Kit for MSF4800 1640 mm
MSF4800-IP67-1680	Kit for MSF4800 1680 mm
MSF4800-IP67-1720	Kit for MSF4800 1720 mm
MSF4800-IP67-1760	Kit for MSF4800 1760 mm
MSF4800-IP67-1800	Kit for MSF4800 1800 mm
MSF4800-IP67-1840	Kit for MSF4800 1840 mm
MSF4800-IP67-1880	Kit for MSF4800 1880 mm
MSF4800-IP67-1920	Kit for MSF4800 1920 mm
MSF4800-IP67-1960	Kit for MSF4800 1960 mm
MSF4800-IP67-2000	Kit for MSF4800 2000 mm
MSF4800-IP67-2040	Kit for MSF4800 2040 mm
MSF4800-IP67-2080	Kit for MSF4800 2080 mm
MSF4800-IP67-2120	Kit for MSF4800 2120 mm

IP67 Enclosures (continued)

Chemical Resistance of Acrylic Tube

KEY:

R - Resistant

LR - Limited Resistance

NR - Not Resistant

PAINT	
Acrylic paints and lacquers	LR
Aromatic-free hydrocarbons	R
Nitrocellulose	NR
Oil paints, pure	R
Thinners, general	NR
CHEMICAL PROCESS BATHS	
Electroplating baths	R
Photographic baths	R
BUILDING MATERIALS AND PROTECTIVE AGENTS FOR BUILDINGS	
Bituminous emulsion	NR
Cement	R
Hot bitumen	LR
Mortar	R
Plaster of paris	R
Red lead	R
CHEMICALS, SOLVENTS, ETC.	
Acetic acid, glacial	NR
Acetic acid, to 25%	LR
Acetone	NR
Alum	R
Aluminium chloride	R
Aluminium oxalate	R
Aluminium sulphate	R
Ammonia, aqueous solution	R
Ammonium sulphate	R
Amyl acetate	NR
Aniline	NR
Arsenic	R
Arsenic acid	R
Battery acid	R
Benzaldehyde	NR
Benzene	NR
Bromine	NR
Butanol	LR
Butyl lactate	NR
Butyric acid, to 5%	R
Calcium chloride	R
Calcium hypochlorite	R
Carbon disulfide	NR
Carbon tetrachloride	NR
Chlorinated hydrocarbons	NR
Chlorine, liquid	NR
Chlorine, water	LR
Chloroethyl acetate	NR
Chlorophenol	NR
Chromic acid	LR
Citric acid, to 20%	R
Copper sulphate	R
Cresol	NR
Cyclohexane	R
Diacetone alcohol	NR
Diamyl phthalate	LR
Dibutyl phthalate	NR
Diethylene glycol	R
Dioxan	NR

Ether	NR
Ethyl acetate	NR
Ethyl alcohol, absolute	NR
Ethyl alcohol, to 30%	LR
Ethyl bromide	NR
Ethyl butyrate	NR
Ethylene bromide	NR
Ferric chloride	R
Ferrous chloride	R
Ferrous sulphate	R
Formic acid, to 2%	R
Formic acid, to 40%	LR
Glycerol	R
Glycol	R
Heptane	R
Hexane	R
Hydrochloric acid	R
Hydrogen peroxide, over 40%	LR
Hydrogen peroxide, to 40%	R
Iodine	R
Isopropyl alcohol, to 50%	LR
Lactic acid, to 80%	LR
Magnesium chloride	R
Magnesium sulphate	R
Manganese sulphate	R
Mercury	R
Methanol, absolute	NR
Methanol, to 30%	LR
Methyl ethyl ketone	NR
Methylated spirits	NR
Milk of lime	R
Monobromonaphthalene	R
Motor fuel benzene-free	R
Motor fuel, with benzene	NR
Nickel sulphate	R
Nitric acid, to 20%	R
Nitric acid, 20 - 70%	LR
Nitric acid, over 70%	NR
Oxalic acid	R
Paraffin	LR
Perchloroethylene	NR
Petroleum ether	R
Phenols	NR
Phosphoric acid, to 10%	R
Phosphorus trichloride	NR
Phosphorus, yellow	NR
Picric acid, 1% in water	R
Potassium bichromate	R
Potassium carbonate	R
Potassium chloride	R
Potassium cyanide	R
Potassium hydroxide	R
Potassium nitrate	R
Potassium permanganate	R
Silicon tetrachloride	NR
Silver nitrate	R
Soap solution	R
Soda	R
Sodium bisulphite	R
Sodium carbonate	R
Sodium chlorate	R
Sodium chloride	R
Sodium hydroxide	R
Sodium hypochlorite	R
Sodium sulphate	R
Sodium sulphide	R

Stearic acid	R
Sulphur	R
Sulphur dioxide, liquid	NR
Sulphuric acid, to 30%	R
Sulphurous acid, conc	LR
Sulphurous acid, to 5%	R
Sulphuryl chloride	R
Tartaric acid, to 50%	R
Thionyl chloride	NR
Tin chloride	R
Toluene	NR
Triethylamine	R
Trichloroacetic acid	NR
Tricresyl phosphate	R
Turpentine	LR
Turpentine substitute	LR
Urea, to 20%	R
Xylene	NR
Zinc sulphate, aqueous	R
Zinc sulphate, solid	R
DISINFECTANTS	
Bleaching powder	R
Carbolic acid	NR
Hydrogen peroxide, to 40%	R
Hydrogen peroxide, over 40%	LR
Iodine tincture, 5%	NR
Lugol solution	R
Mercuric chloride	R
Surgical spirit	NR
GREASES, OILS, WAXES	
Animal	R
Mineral	R
Silicone oil	LR
Vegetable	LR
PLASTICS	
Foams	R
Foams, containing plasticizer	NR
Polyamide	R
Polyethylene	R
PVC	R
PVC, plasticized	NR
Rubber	R
Rubber, containing plasticizer	NR
FOODSTUFFS, SPICES	
Aniseed, bay, nutmeg	R
Cloves	NR
Honey, pure	R
Ice cream	R
Marinades	R
Meat and fish	R
Pepper, cinnamon, onions	R
Salt	R
GASES AND VAPORS	
Ammonia	R
Bromine vapor (dry)	LR
Carbon dioxide	R
Carbon monoxide	R
Chloride vapor (dry)	LR
Exhaust gases, containing HCl	R
Exhaust gases, containing HF	R
Exhaust gases, containing Sulphuric acid	R
Hydrogen sulphide	R
Methane	R
Nitric oxide	R

Nitrogen peroxide	R
Oxygen	R
Ozone	R
Sulphur dioxide (dry)	R
Natural Gas (Butane)	R
FREON TG* trichlorotrifluoroethane	NR
FREON TF* trichlorotrifluoroethane	R
BEVERAGES, etc.	
Beer, wine	R
Camomile extract	R
Chocolate	R
Fruit juice, milk, coffee	R
Spirits, to 30%	R
Vinegar	R
Water, mineral waters	R
Glycerol	R
Hair setting lotion	R
Nail varnish	NR
Nail varnish remover	NR
Ointments	R
Peat water	R
Sea water	R
Soaps	R
Sprays	LR
CLEANING AGENTS	
Acids, see under chemicals	
Alcohol, absolute	NR
Alcohol, to 30%	R
Alkalis, see under chemicals	
Ammonia	R
Aqueous hypochlorite solution	R
Carbon tetrachloride	NR
Methylated spirits	NR
Paraffin	LR
Perchloroethylene	NR
Petrol, pure	R
Petrol mixture, containing benzene	NR
Petroleum ether	R
Soap solution	R
Soda solution	R
Solvent stain removers	NR
Trichloroethylene	NR
Turpentine	LR
Turpentine substitute	LR
PEST CONTROL AGENTS	
Aqueous solutions of pesticides	LR
Stable spray-new	R
Sprays (for direct spraying)	LR
PROTECTIVE (strippable) COATINGS	
Sign Strip®** strippable masking	LR
MISCELLANEOUS	
Urine	R

* Trademark of E.I. duPont deNemours & Company, Inc.

** Trademark of Spraylat Corp., Mt. Vernon, NY