

**Specification Status: Released**

**Electrical Rating**

**Voltage: 16V<sub>DC</sub> MAX**  
**Current: 100A MAX**

**Insulating Material:**

Cured, Flame Retardant Epoxy Polymer  
meets UL94 V-0 Requirements

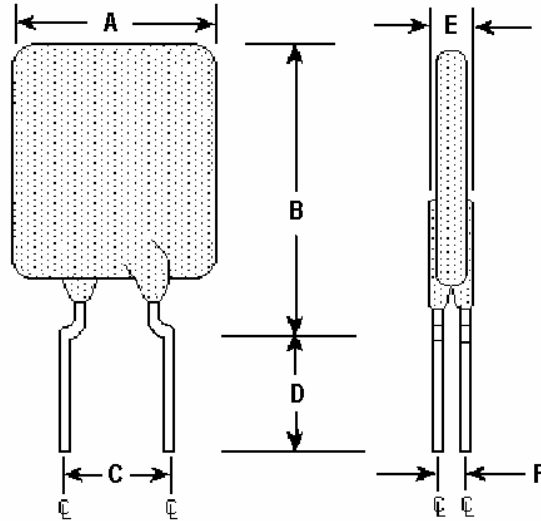
**Lead Material:**

20 AWG Tin Plated Copper  
(0.8 mm [0.032] nom. diameter)

**Marking:**

— Manufacturer's Mark  
⊗ H4 and Part Identification

□ □ □ □ — Lot Identification



**TABLE I. DIMENSIONS:**

	A		B		C		D		E		F
	MIN	MAX	MIN	MAX	MIN	MAX	MIN	MAX	MIN	MAX	TYP
mm:	--	10.0	--	15.0	4.3	5.8	7.6	--	--	3.0	1.2
in*:	--	(0.39)	--	(0.59)	(0.17)	(0.23)	(0.30)	--	--	(0.12)	(0.05)

\*Rounded off approximation

**TABLE II. PERFORMANCE RATINGS:**

I HOLD RATED CURRENT	CURRENT RATINGS		TIME TO TRIP	INITIAL RESISTANCE VALUES		ONE-HOUR POST-TRIP RESISTANCE STANDARD TRIP	TRIPPED- STATE POWER DISSIPATION
	AMPS 25°C HOLD	AMPS AT 25°C HOLD   TRIP		SECONDS AT 25°C, 20A MAX	OHMS AT 25°C MIN   MAX		
4.0	4.0	7.5	5.0	0.024	0.040	0.060	3.3

Agency Recognitions:  
Reference Documents  
Precedence:  
Effectivity:  
CAUTION:

UL, TUV, CSA  
PS300  
This specification takes precedence over documents referenced herein.  
Reference documents shall be the issue in effect on the date of invitation for bid.  
Operation beyond the rated voltage or current may result in rupture, electrical arcing or flame.

**Materials Information**

**ROHS Compliant**

**ELV Compliant**

**Pb-Free**

**Halogen Free\***



\* Halogen Free refers to: Br≤900ppm, Cl≤900ppm, Br+Cl≤1500ppm.