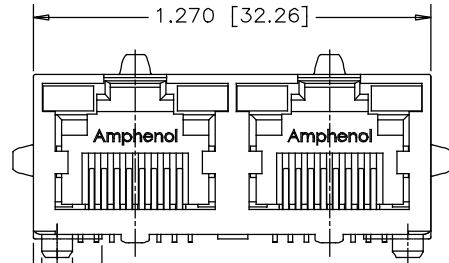
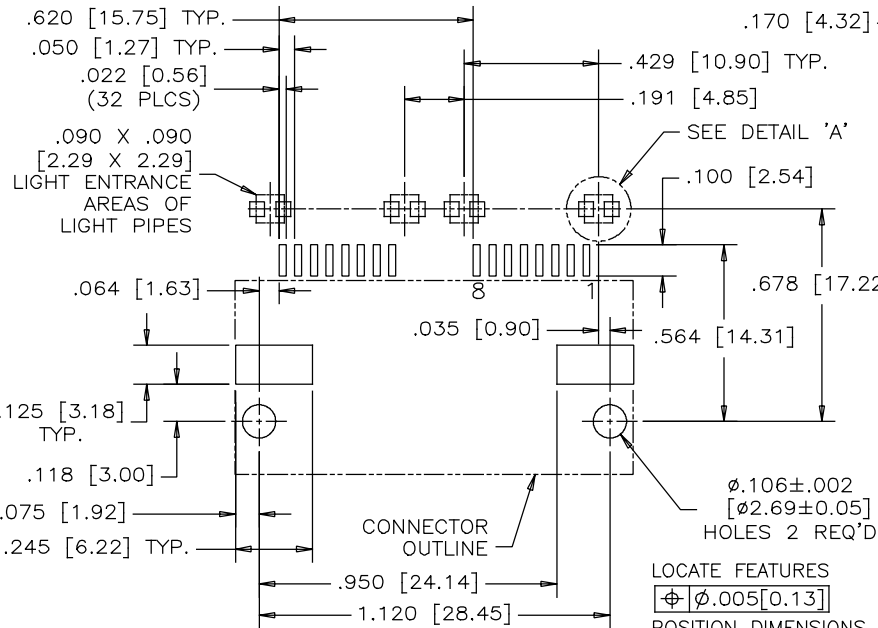


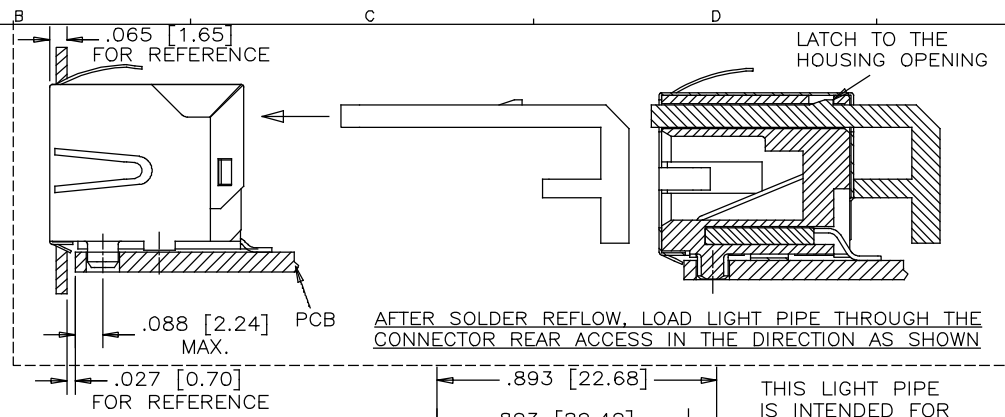
TOP VIEW



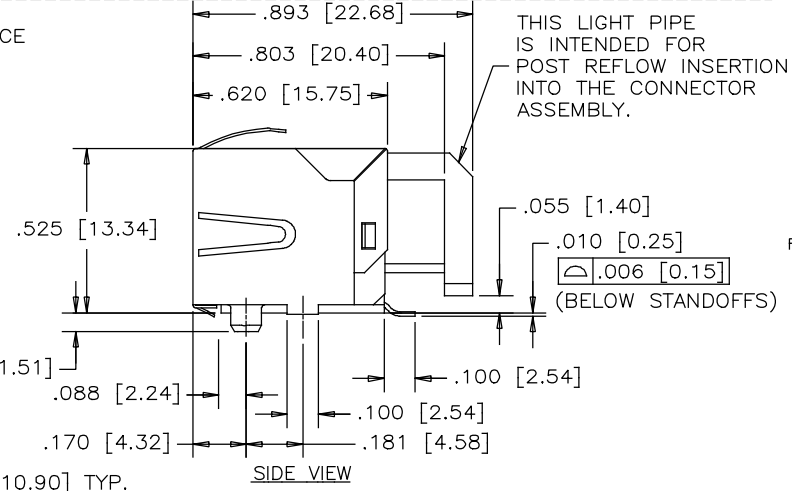
FRONT VIEW



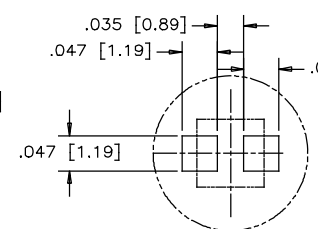
RECOMMENDED P.C.B. LAYOUT
(COMPONENT SIDE OF BOARD)



AFTER SOLDER REFLOW, LOAD LIGHT PIPE THROUGH THE CONNECTOR REAR ACCESS IN THE DIRECTION AS SHOWN

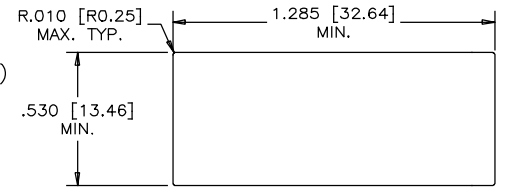


SIDE VIEW



DETAIL 'A'
(ENLARGED)
SMT LED SOLDER PAD
(SMT LED TO BE PROVIDED BY THE CUSTOMER)

REVISIONS				
SYM	ZONE	ECN, ERN NO.	DATE	APPRD.
A		PROPOSAL	2005/07/06	L.CHAN
B		UPDATE DRAWING	2015/03/12	L.CHAN



RECOMMENDED PANEL CUTOUT

MATERIALS:
PLASTIC HOUSING: HIGH TEMPERATURE ENGINEERING THERMOPLASTIC
 FLAMMABILITY RATING UL 94V-0

CONTACTS: PHOSPHOR BRONZE
PLATING: 20 μ" [0.51 MICRONS] MIN. GOLD ON MATING SURFACES.
 50 μ" [1.27 MICRONS] MIN. NICKEL UNDERPLATE.
 100 μ" [2.54 MICRONS] MIN. MATTE TIN ON CONTACT TAILS.

SHIELD: COPPER ALLOY
PLATING: NICKEL

LIGHT PIPE: CLEAR POLYCARBONATE RATED UL 94V-0.

PART NUMBER: RJ SSE-538X-02
 LIGHT PIPE DESIGNATION
 0 - BLOCKED
 1 - WITH LIGHT PIPE

MATERIAL	DRAWN PWANG	DATE 05/07/06
	DESIGNED	
	CHECKED L.CHAN	05/07/06
	I. E. APPRD. YM	05/07/06
	Q. A. APPRD. X	X
FINISH	DWG. APPRD. X	X
	ENG. REL. NO. X	
	REF. EAR 12781	
	DIMENSIONS ARE IN INCHES [mm]	CODE ID. NO. 03554

Amphenol Canada Corp.		
TITLE 2 PORT, SURFACE MOUNT, RJ45 MODULAR JACK, 8 POSITION, 8 CONTACTS, SHIELDED, LIGHT PIPES OPTIONAL - RoHS COMPLIANT		
DWG. C	DRAWING NO. P-RJSSE-538X-02	REV. B
SCALE 3/1	WT. -----	SURF. -----
SHEET 1 OF 1		

THIS DOCUMENT CONTAINS PROPRIETARY INFORMATION AND SUCH INFORMATION MAY NOT BE DISCLOSED TO OTHERS FOR ANY PURPOSE OR USED FOR MANUFACTURING PURPOSES WITHOUT WRITTEN PERMISSION FROM AMPHENOL CANADA CORP.