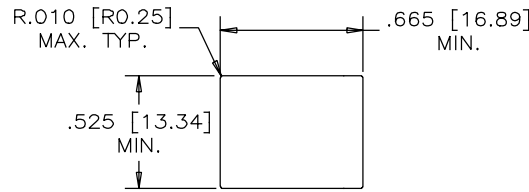
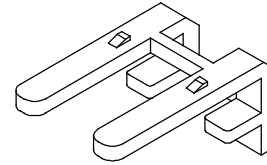


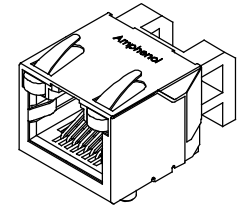
TOP VIEW



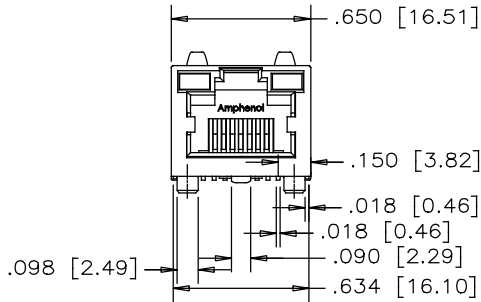
RECOMMENDED PANEL CUTOUT



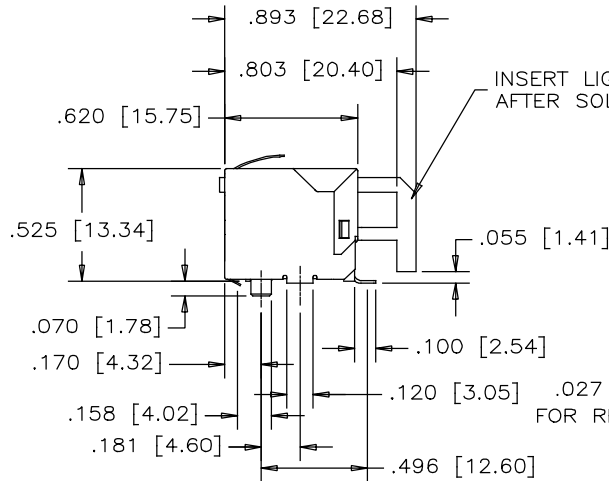
LIGHT PIPE



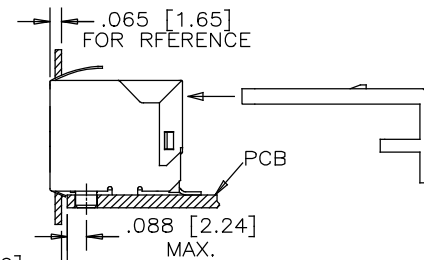
FINISH CONNECTOR



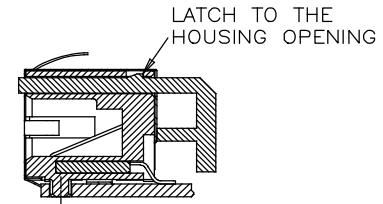
FRONT VIEW



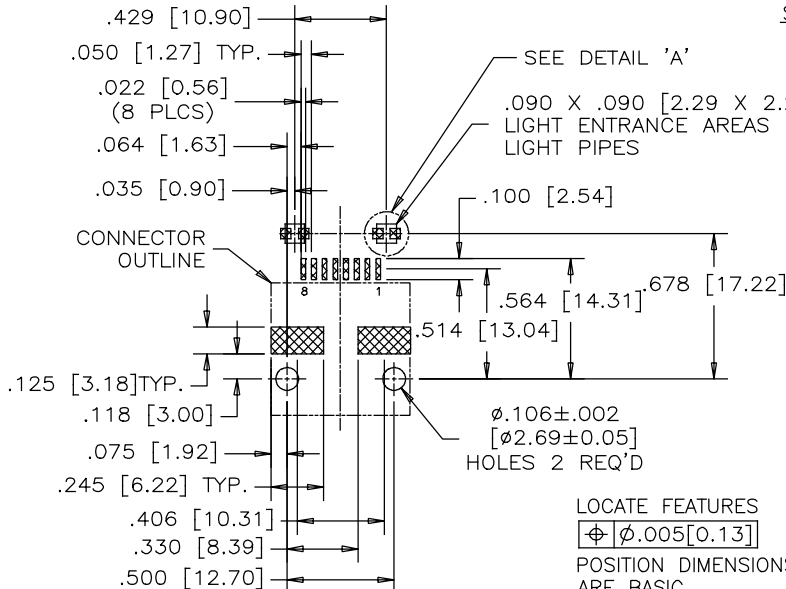
SIDE VIEW



AFTER SOLDER REFLOW, LOAD LIGHT PIPE THROUGH THE CONNECTOR REAR ACCESS IN THE DIRECTION AS SHOWN

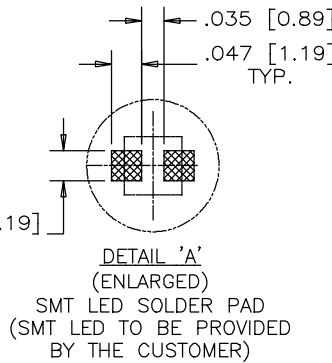


LATCH TO THE HOUSING OPENING



RECOMMENDED P.C.B. LAYOUT (COMPONENT SIDE OF BOARD)

SEE DETAIL 'A'
.090 X .090 [2.29 X 2.29]
LIGHT ENTRANCE AREAS OF
LIGHT PIPES



LOCATE FEATURES
⌀ .005 [0.13]
POSITION DIMENSIONS
ARE BASIC



- MATERIALS:**
PLASTIC HOUSING: HIGH TEMPERATURE ENGINEERING THERMOPLASTIC
 FLAMMABILITY RATING UL 94V-0
- CONTACTS:** PHOSPHOR BRONZE
PLATING: 20 μ" [0.51 MICRONS] MIN. GOLD ON MATING SURFACES.
 50 μ" [1.27 MICRONS] MIN. NICKEL UNDERPLATE.
 100 μ" [2.54 MICRONS] MIN. MATTE TIN ON CONTACT TAILS.
- SHIELD:** COPPER ALLOY
PLATING: NICKEL
- LIGHT PIPE:** CLEAR POLYCARBONATE
 FLAMMABILITY RATING UL 94V-0

PART NUMBER: RJSS-5381

MATERIAL	DRAWN PWANG	DATE 05/07/06	Amphenol Canada Corp.	
	DESIGNED			
FINISH	CHECKED L.CHAN	05/07/06	TITLE SURFACE MOUNT, RJ45 8 POSITION, 8 CONTACTS, SHEILD, WITH LIGHT PIPES - RoHS COMPLIANT	
	I. E. APPRD.			
	Q. A. APPRD.			
	DWG. APPRD.			
ENG. REL. NO. EAR12781			DWG. DRAWING NO. P-RJSSE-5381	REV. D
DIMENSIONS ARE IN INCHES [mm]	CODE ID. NO. 03554		SCALE 2:1	WT. ----- SURF. ----- SHEET 1 OF 7

THIS DOCUMENT CONTAINS PROPRIETARY INFORMATION AND SUCH INFORMATION MAY NOT BE DISCLOSED TO OTHERS FOR ANY PURPOSE OR USED FOR MANUFACTURING PURPOSES WITHOUT WRITTEN PERMISSION FROM AMPHENOL CANADA CORP.