

## LMP8645, LMP8645HV Precision High Voltage Current Sense Amplifier

### 1 Features

- Typical Values,  $T_A = 25^\circ\text{C}$
- High Common-Mode Voltage Range
  - LMP8645  $-2\text{ V to }42\text{ V}$
  - LMP8645HV  $-2\text{ V to }76\text{ V}$
- Supply Voltage Range  $2.7\text{ V to }12\text{ V}$
- Gain Configurable With a Single Resistor
- Maximum Variable Gain Accuracy (With External Resistor) 2%
- Transconductance  $200\ \mu\text{A/V}$
- Low Offset Voltage  $1\text{ mV}$
- Input Bias  $12\ \mu\text{A}$
- PSRR 90 dB
- CMRR 95 dB
- Temperature Range  $-40^\circ\text{C to }125^\circ\text{C}$
- 6-Pin SOT Package

### 2 Applications

- High-Side Current Sense
- Vehicle Current Measurement
- Motor Controls
- Battery Monitoring
- Remote Sensing
- Power Management

### 3 Description

The LMP8645 and the LMP8645HV devices are precision current sense amplifiers that detect small differential voltages across a sense resistor in the presence of high-input common-mode voltages.

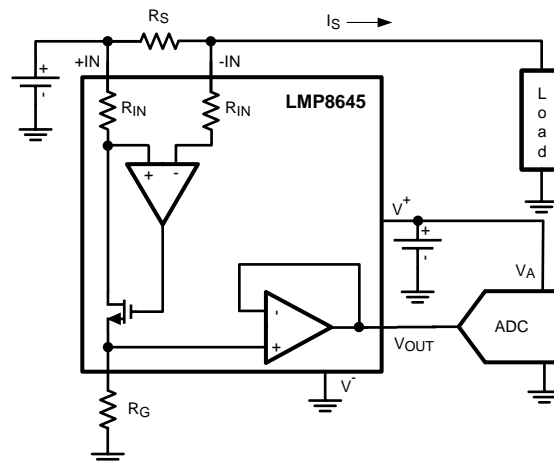
Operating from a supply range of  $2.7\text{ V to }12\text{ V}$ , the LMP8645 accepts input signals with a common-mode voltage range of  $-2\text{ V to }42\text{ V}$ , while the LMP8645HV accepts input signals with a common-mode voltage range of  $-2\text{ V to }76\text{ V}$ . The LMP8645 and LMP8645HV have adjustable gain for applications where supply current and high common-mode voltage are the determining factors. The gain is configured with a single resistor, providing a high level of flexibility, as well as accuracy as low as 2% (maximum) including the gain setting resistor. The output is buffered to provide low output impedance. This high-side current sense amplifier is ideal for sensing and monitoring currents in DC or battery-powered systems, has excellent AC and DC specifications over temperature, and keeps errors in the current sense loop to a minimum. The LMP8645 is an ideal choice for industrial, automotive, and consumer applications, and is available in SOT-6 package.

#### Device Information<sup>(1)</sup>

| PART NUMBER | PACKAGE | BODY SIZE (NOM)   |
|-------------|---------|-------------------|
| LMP8645     | SOT (6) | 1.60 mm x 2.90 mm |
| LMP8645HV   |         |                   |

(1) For all available packages, see the orderable addendum at the end of the data sheet.

#### Typical Application



## Table of Contents

|  |           |  |           |
|--|-----------|--|-----------|
| <b>1 Features</b> .....                        | <b>1</b>  | 7.4 Device Functional Modes.....                                 | <b>13</b> |
| <b>2 Applications</b> .....                    | <b>1</b>  | <b>8 Application and Implementation</b> .....                    | <b>18</b> |
| <b>3 Description</b> .....                     | <b>1</b>  | 8.1 Application Information.....                                 | <b>18</b> |
| <b>4 Revision History</b> .....                | <b>2</b>  | 8.2 Typical Applications .....                                   | <b>18</b> |
| <b>5 Pin Configuration and Functions</b> ..... | <b>3</b>  | <b>9 Power Supply Recommendations</b> .....                      | <b>21</b> |
| <b>6 Specifications</b> .....                  | <b>3</b>  | <b>10 Layout</b> .....   | <b>21</b> |
| 6.1 Absolute Maximum Ratings .....             | <b>3</b>  | 10.1 Layout Guidelines .....                                     | <b>21</b> |
| 6.2 ESD Ratings.....                           | <b>4</b>  | 10.2 Layout Example .....  | <b>21</b> |
| 6.3 Recommended Operating Conditions.....      | <b>4</b>  | <b>11 Device and Documentation Support</b> .....                 | <b>22</b> |
| 6.4 Thermal Information .....                  | <b>4</b>  | 11.1 Device Support.....   | <b>22</b> |
| 6.5 2.7-V Electrical Characteristics .....     | <b>5</b>  | 11.2 Documentation Support .....                                 | <b>22</b> |
| 6.6 5-V Electrical Characteristics .....       | <b>6</b>  | 11.3 Related Links .....   | <b>22</b> |
| 6.7 12-V Electrical Characteristics .....      | <b>7</b>  | 11.4 Community Resources.....                                    | <b>22</b> |
| 6.8 Typical Characteristics .....              | <b>8</b>  | 11.5 Trademarks .....  | <b>22</b> |
| <b>7 Detailed Description</b> .....            | <b>11</b> | 11.6 Electrostatic Discharge Caution.....                        | <b>22</b> |
| 7.1 Overview .....                             | <b>11</b> | 11.7 Glossary .....  | <b>22</b> |
| 7.2 Functional Block Diagram .....             | <b>12</b> | <b>12 Mechanical, Packaging, and Orderable Information</b> ..... | <b>23</b> |
| 7.3 Feature Description.....                   | <b>12</b> |  |           |

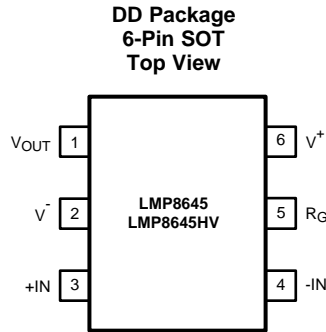
## 4 Revision History

NOTE: Page numbers for previous revisions may differ from page numbers in the current version.

| <b>Changes from Revision F (March 2013) to Revision G</b>   | <b>Page</b> |
|---|-------------|
| <ul style="list-style-type: none"> <li>Added <i>ESD Ratings</i> table, <i>Feature Description</i> section, <i>Device Functional Modes</i>, <i>Application and Implementation</i> section, <i>Power Supply Recommendations</i> section, <i>Layout</i> section, <i>Device and Documentation Support</i> section, and <i>Mechanical, Packaging, and Orderable Information</i> section. ....</li> </ul> | <b>1</b>    |

| <b>Changes from Revision E (March 2013) to Revision F</b>  | <b>Page</b> |
|--|-------------|
| <ul style="list-style-type: none"> <li>Changed layout of National Data Sheet to TI format .....</li> </ul> | <b>19</b>   |

## 5 Pin Configuration and Functions



### Pin Functions

| PIN              |     | I/O | DESCRIPTION             |
|------------------|-----|-----|-------------------------|
| NAME             | NO. |     |                         |
| V <sub>OUT</sub> | 1   | O   | Single-ended output     |
| V <sup>-</sup>   | 2   | P   | Negative supply voltage |
| +IN              | 3   | I   | Positive input          |
| -IN              | 4   | I   | Negative input          |
| R <sub>G</sub>   | 5   | I/O | External gain resistor  |
| V <sup>+</sup>   | 6   | P   | Positive supply voltage |

## 6 Specifications

### 6.1 Absolute Maximum Ratings<sup>(1)(2)(3)</sup>

|  | MIN            | MAX            | UNIT |   |
|--|----------------|----------------|------|---|
| Supply Voltage (V <sub>S</sub> = V <sup>+</sup> - V <sup>-</sup> ) |                | 13.2           | V    |   |
| Differential voltage +IN- (-IN)                                    |                | 6              | V    |   |
| Voltage at pins +IN, -IN   | LMP8645HV      | -6             | 80   | V |
|  | LMP8645        | -6             | 60   | V |
| Voltage at R <sub>G</sub> pin                                      |                | 13.2           | V    |   |
| Voltage at OUT pin   | V <sup>-</sup> | V <sup>+</sup> | V    |   |
| Junction temperature <sup>(4)</sup>                                |                | 150            | °C   |   |
| Storage temperature, T <sub>stg</sub>                              | -65            | 150            | °C   |   |

- (1) Stresses beyond those listed under *Absolute Maximum Ratings* may cause permanent damage to the device. These are stress ratings only, which do not imply functional operation of the device at these or any other conditions beyond those indicated under *Recommended Operating Conditions*. Exposure to absolute-maximum-rated conditions for extended periods may affect device reliability.
- (2) If Military/Aerospace specified devices are required, contact the Texas Instruments Sales Office/Distributors for availability and specifications.
- (3) For soldering specifications, refer to [SNOA549](#)
- (4) The maximum power dissipation must be derated at elevated temperatures and is dictated by T<sub>J(MAX)</sub>, R<sub>θJA</sub>, and the ambient temperature, T<sub>A</sub>. The maximum allowable power dissipation P<sub>DMAX</sub> = (T<sub>J(MAX)</sub> - T<sub>A</sub>) / R<sub>θJA</sub> or the number given in Absolute Maximum Ratings, whichever is lower.

## 6.2 ESD Ratings

|  |  | VALUE                   | UNIT  |
|--|--|-------------------------|-------|
| V <sub>(ESD)</sub> Electrostatic discharge | Human body model (HBM), per ANSI/ESDA/JEDEC JS-001 <sup>(1)(2)</sup>           | All pins except 3 and 4 | ±2000 |
|  |  | Pins 3 and 4            | ±5000 |
|  | Charged-device model (CDM), per JEDEC specification JESD22-C101 <sup>(3)</sup> |                         | ±1250 |
|  | Machine Model  |                         | ±200  |

- (1) JEDEC document JEP155 states that 500-V HBM allows safe manufacturing with a standard ESD control process.
- (2) Human Body Model, applicable std. MIL-STD-883, Method 3015.7. Machine Model, applicable std. JESD22-A115-A (ESD MM std. of JEDEC) Field-Induced Charge-Device Model, applicable std. JESD22-C101-C (ESD FICDM std. of JEDEC).
- (3) JEDEC document JEP157 states that 250-V CDM allows safe manufacturing with a standard ESD control process.

## 6.3 Recommended Operating Conditions

|                                      | MIN | MAX | UNIT |
|--------------------------------------|-----|-----|------|
| Supply voltage ( $V_S = V^+ - V^-$ ) | 2.7 | 12  | V    |
| Temperature range <sup>(1)</sup>     | -40 | 125 | °C   |

- (1) The maximum power dissipation must be derated at elevated temperatures and is dictated by  $T_{J(MAX)}$ ,  $R_{\theta JA}$ , and the ambient temperature,  $T_A$ . The maximum allowable power dissipation  $P_{DMAX} = (T_{J(MAX)} - T_A) / R_{\theta JA}$  or the number given in Absolute Maximum Ratings, whichever is lower.

## 6.4 Thermal Information

| THERMAL METRIC <sup>(1)</sup>   | LMV8645,<br>LMV8645HV | UNIT |
|---|-----------------------|------|
|   | DDC (SOT)             |      |
|   | 6 PINS                |      |
| $R_{\theta JA}$ Junction-to-ambient thermal resistance <sup>(2)</sup> | 96                    | °C/W |

- (1) For more information about traditional and new thermal metrics, see the *Semiconductor and IC Package Thermal Metrics* application report, [SPRA953](#).
- (2) The maximum power dissipation must be derated at elevated temperatures and is dictated by  $T_{J(MAX)}$ ,  $R_{\theta JA}$ , and the ambient temperature,  $T_A$ . The maximum allowable power dissipation  $P_{DMAX} = (T_{J(MAX)} - T_A) / R_{\theta JA}$  or the number given in Absolute Maximum Ratings, whichever is lower.

## 6.5 2.7-V Electrical Characteristics

Unless otherwise specified, all limits specified for at  $T_A = 25^\circ\text{C}$ ,  $V_S = V^+ - V^-$ ,  $V^+ = 2.7\text{ V}$ ,  $V^- = 0\text{ V}$ ,  $-2\text{ V} < V_{CM} < 76\text{ V}$ ,  $R_G = 25\text{ k}\Omega$ ,  $R_L = 10\text{ M}\Omega$ .<sup>(1)</sup>

| PARAMETER                           |  | TEST CONDITIONS  | MIN <sup>(2)</sup>          | TYP <sup>(3)</sup> | MAX <sup>(2)</sup> | UNIT                         |
|-------------------------------------|--|--|-----------------------------|--------------------|--------------------|------------------------------|
| V <sub>OS</sub>                     | Input Offset Voltage                             | V <sub>CM</sub> = 2.1 V  |                             | -1                 | 1                  | mV                           |
|                                     |  |  | At the temperature extremes | -1.7               | 1.7                |                              |
| TCV <sub>OS</sub>                   | Input Offset Voltage Drift <sup>(4)</sup><br>(5) | V <sub>CM</sub> = 2.1 V  |                             |                    | 7                  | $\mu\text{V}/^\circ\text{C}$ |
| I <sub>B</sub>                      | Input Bias Current <sup>(6)</sup>                | V <sub>CM</sub> = 2.1 V  |                             | 12                 | 20                 | $\mu\text{A}$                |
| e <sub>ni</sub>                     | Input Voltage Noise <sup>(5)</sup>               | f > 10 kHz, R <sub>G</sub> = 5 k $\Omega$  |                             | 120                |                    | nV/ $\sqrt{\text{Hz}}$       |
| V <sub>SENSE(MAX)</sub>             | Max Input Sense Voltage <sup>(5)</sup>           | V <sub>CM</sub> = 12 V, R <sub>G</sub> = 5 k $\Omega$  |                             | 600                |                    | mV                           |
| Gain A <sub>V</sub>                 | Adjustable Gain Setting <sup>(7)</sup>           | V <sub>CM</sub> = 12 V   |                             | 1                  | 100                | V/V                          |
| G <sub>m</sub>                      | Transconductance                                 | V <sub>CM</sub> = 2.1 V  |                             | 200                |                    | $\mu\text{A}/\text{V}$       |
|                                     | Accuracy   | V <sub>CM</sub> = 2.1 V  |                             | -2%                | 2%                 |                              |
|                                     |  |  | At the temperature extremes | -3.4%              | 3.4%               |                              |
| G <sub>m</sub> drift <sup>(5)</sup> |  | -40°C to 125°C, V <sub>CM</sub> = 2.1 V  |                             |                    | 140                | ppm / °C                     |
| PSRR                                | Power Supply Rejection Ratio                     | V <sub>CM</sub> = 2.1 V, 2.7 V < V <sup>+</sup> < 12 V   |                             | 90                 |                    | dB                           |
| CMRR                                | Common-Mode Rejection Ratio                      | LMP8645HV 2.1 V < V <sub>CM</sub> < 76 V   |                             | 95                 |                    | dB                           |
|                                     |  | LMP8645 2.1 V < V <sub>CM</sub> < 42 V   |                             |                    |                    |                              |
|                                     |  | -2 V < V <sub>CM</sub> < 2 V   |                             | 60                 |                    |                              |
| BW                                  | -3-dB Bandwidth <sup>(5)</sup>                   | R <sub>G</sub> = 10 k $\Omega$ , C <sub>G</sub> = 4 pF, V <sub>SENSE</sub> = 400 mV, C <sub>L</sub> = 30 pF, R <sub>L</sub> = 1 M $\Omega$   |                             | 990                |                    | kHz                          |
|                                     |  | R <sub>G</sub> = 25 k $\Omega$ , C <sub>G</sub> = 4 pF, V <sub>SENSE</sub> = 200 mV, C <sub>L</sub> = 30 pF, R <sub>L</sub> = 1 M $\Omega$   |                             | 260                |                    |                              |
|                                     |  | R <sub>G</sub> = 50 k $\Omega$ , C <sub>G</sub> = 4 pF, V <sub>SENSE</sub> = 100 mV, C <sub>L</sub> = 30 pF, R <sub>L</sub> = 1 M $\Omega$   |                             | 135                |                    |                              |
| SR                                  | Slew Rate <sup>(8)(5)</sup>                      | V <sub>CM</sub> = 5 V, C <sub>G</sub> = 4 pF, V <sub>SENSE</sub> from 25 mV to 175 mV, C <sub>L</sub> = 30 pF, R <sub>L</sub> = 1 M $\Omega$ |                             | 0.5                |                    | V/ $\mu\text{s}$             |
| I <sub>S</sub>                      | Supply Current                                   | V <sub>CM</sub> = 2.1 V  |                             | 380                | 525                | $\mu\text{A}$                |
|                                     |  |  | At the temperature extremes |                    | 710                |                              |
|                                     |  | V <sub>CM</sub> = -2 V   |                             | 2000               | 2500               |                              |
|                                     |  |  | At the temperature extremes |                    | 2700               |                              |
| V <sub>OUT</sub>                    | Maximum Output Voltage                           | V <sub>CM</sub> = 2.1 V, R <sub>G</sub> = 500 k $\Omega$   |                             | 1.2                |                    | V                            |
|                                     | Minimum Output Voltage                           | V <sub>CM</sub> = 2.1 V  |                             |                    | 20                 | mV                           |
| I <sub>OUT</sub>                    | Output current <sup>(5)</sup>                    | Sourcing, V <sub>OUT</sub> = 600 mV, R <sub>G</sub> = 150 k $\Omega$   |                             | 5                  |                    | mA                           |
|                                     |  | Sinking, V <sub>OUT</sub> = 600 mV, R <sub>G</sub> = 150 k $\Omega$  |                             | 5                  |                    |                              |
| C <sub>LOAD</sub>                   | Max Output Capacitance Load <sup>(5)</sup>       |  |                             | 30                 |                    | pF                           |

- (1) Electrical Table values apply only for factory testing conditions at the temperature indicated. Factory testing conditions result in very limited self-heating of the device such that  $T_J = T_A$ . No specification of parametric performance is indicated in the electrical tables under conditions of internal self-heating where  $T_J > T_A$ .
- (2) All limits are specified by testing, design, or statistical analysis.
- (3) Typical values represent the most likely parametric norm at the time of characterization. Actual typical values may vary over time and will also depend on the application and configuration. The typical values are not tested and are not ensured on shipped production material.
- (4) Offset voltage temperature drift is determined by dividing the change in V<sub>OS</sub> at the temperature extremes by the total temperature change.
- (5) This parameter is specified by design and/or characterization and is not tested in production.
- (6) Positive Bias Current corresponds to current flowing into the device.
- (7) This parameter is specified by design and/or characterization and is not tested in production.
- (8) The number specified is the average of rising and falling slew rates and measured at 90% to 10%.

## 6.6 5-V Electrical Characteristics

Unless otherwise specified, all limits specified for at  $T_A = 25^\circ\text{C}$ ,  $V_S = V^+ - V^-$ ,  $V^+ = 5\text{ V}$ ,  $V^- = 0\text{ V}$ ,  $-2\text{ V} < V_{CM} < 76\text{ V}$ ,  $R_g = 25\text{ k}\Omega$ ,  $R_L = 10\text{ M}\Omega$ .<sup>(1)</sup>

| PARAMETER                           |  | TEST CONDITIONS  | MIN <sup>(2)</sup>          | TYP <sup>(3)</sup> | MAX <sup>(2)</sup> | UNIT                         |
|-------------------------------------|--|--|-----------------------------|--------------------|--------------------|------------------------------|
| V <sub>OS</sub>                     | Input Offset Voltage                         | V <sub>CM</sub> = 2.1 V  |                             | -1                 | 1                  | mV                           |
|                                     |  |  | At the temperature extremes | -1.7               | 1.7                |                              |
| TCV <sub>OS</sub>                   | Input Offset Voltage Drift <sup>(4)(5)</sup> | V <sub>CM</sub> = 2.1 V  |                             |                    | 7                  | $\mu\text{V}/^\circ\text{C}$ |
| I <sub>B</sub>                      | Input Bias Current <sup>(6)</sup>            | V <sub>CM</sub> = 2.1 V  |                             | 12.5               | 22                 | $\mu\text{A}$                |
| e <sub>ni</sub>                     | Input Voltage Noise <sup>(5)</sup>           | f > 10 kHz, R <sub>G</sub> = 5 k $\Omega$  |                             | 120                |                    | nV/ $\sqrt{\text{Hz}}$       |
| V <sub>SENSE(MAX)</sub>             | Max Input Sense Voltage <sup>(5)</sup>       | V <sub>CM</sub> = 12 V, R <sub>G</sub> = 5 k $\Omega$  |                             | 600                |                    | mV                           |
| Gain A <sub>V</sub>                 | Adjustable Gain Setting <sup>(5)</sup>       | V <sub>CM</sub> = 12 V   |                             | 1                  | 100                | V/V                          |
| G <sub>m</sub>                      | Transconductance                             | V <sub>CM</sub> = 2.1 V  |                             | 200                |                    | $\mu\text{A}/\text{V}$       |
|                                     | Accuracy                                     | V <sub>CM</sub> = 2.1 V  |                             | -2%                | 2%                 |                              |
|                                     |  |  | At the temperature extremes | -3.4%              | 3.4%               |                              |
| G <sub>m</sub> drift <sup>(5)</sup> |  | -40°C to 125°C, V <sub>CM</sub> = 2.1 V  |                             |                    | 140                | ppm / °C                     |
| PSRR                                | Power Supply Rejection Ratio                 | V <sub>CM</sub> = 2.1 V, 2.7 V < V <sup>+</sup> < 12 V   |                             | 90                 |                    | dB                           |
| CMRR                                | Common-Mode Rejection Ratio                  | LMP8645HV 2.1 V < V <sub>CM</sub> < 76 V<br>LMP8645 2.1 V < V <sub>CM</sub> < 42 V   |                             | 95                 |                    | dB                           |
|                                     |  | -2 V < V <sub>CM</sub> < 2 V   |                             | 60                 |                    |                              |
| BW                                  | -3-dB Bandwidth <sup>(5)</sup>               | R <sub>G</sub> = 10 k $\Omega$ , C <sub>G</sub> = 4 pF, V <sub>SENSE</sub> = 400 mV,<br>C <sub>L</sub> = 30 pF, R <sub>L</sub> = 1 M $\Omega$    |                             | 850                |                    | kHz                          |
|                                     |  | R <sub>G</sub> = 25 k $\Omega$ , C <sub>G</sub> = 4 pF, V <sub>SENSE</sub> = 300 mV,<br>C <sub>L</sub> = 30 pF, R <sub>L</sub> = 1 M $\Omega$    |                             | 260                |                    |                              |
|                                     |  | R <sub>G</sub> = 50 k $\Omega$ , C <sub>G</sub> = 4 pF, V <sub>SENSE</sub> = 300 mV,<br>C <sub>L</sub> = 30 pF, R <sub>L</sub> = 1 M $\Omega$    |                             | 140                |                    |                              |
| SR                                  | Slew Rate <sup>(7)(5)</sup>                  | V <sub>CM</sub> = 5 V, C <sub>G</sub> = 4 pF, V <sub>SENSE</sub> from 100 mV<br>to 500 mV, C <sub>L</sub> = 30 pF, R <sub>L</sub> = 1 M $\Omega$ |                             | 0.5                |                    | V/ $\mu\text{s}$             |
| I <sub>S</sub>                      | Supply Current                               | V <sub>CM</sub> = 2.1 V  |                             | 450                | 610                | $\mu\text{A}$                |
|                                     |  |  | At the temperature extremes |                    | 780                |                              |
|                                     |  | V <sub>CM</sub> = -2 V   |                             | 2100               | 2800               |                              |
|                                     |  | At the temperature extremes  |                             |                    | 3030               |                              |
| V <sub>OUT</sub>                    | Maximum Output Voltage                       | V <sub>CM</sub> = 5 V, R <sub>g</sub> = 500 k $\Omega$   |                             | 3.3                |                    | V                            |
|                                     | Minimum Output Voltage                       | V <sub>CM</sub> = 2.1 V  |                             |                    | 22                 | mV                           |
| I <sub>OUT</sub>                    | Output current <sup>(5)</sup>                | Sourcing, V <sub>OUT</sub> = 1.65 V, R <sub>g</sub> = 150 k $\Omega$   |                             | 5                  |                    | mA                           |
|                                     |  | Sinking, V <sub>OUT</sub> = 1.65 V, R <sub>g</sub> = 150 k $\Omega$  |                             | 5                  |                    |                              |
| C <sub>LOAD</sub>                   | Max Output Capacitance Load <sup>(5)</sup>   |  |                             | 30                 |                    | pF                           |

- (1) Electrical Table values apply only for factory testing conditions at the temperature indicated. Factory testing conditions result in very limited self-heating of the device such that  $T_J = T_A$ . No specification of parametric performance is indicated in the electrical tables under conditions of internal self-heating where  $T_J > T_A$ .
- (2) All limits are specified by testing, design, or statistical analysis.
- (3) Typical values represent the most likely parametric norm at the time of characterization. Actual typical values may vary over time and will also depend on the application and configuration. The typical values are not tested and are not ensured on shipped production material.
- (4) Offset voltage temperature drift is determined by dividing the change in V<sub>OS</sub> at the temperature extremes by the total temperature change.
- (5) This parameter is specified by design and/or characterization and is not tested in production.
- (6) Positive Bias Current corresponds to current flowing into the device.
- (7) The number specified is the average of rising and falling slew rates and measured at 90% to 10%.

## 6.7 12-V Electrical Characteristics

Unless otherwise specified, all limits specified for at  $T_A = 25^\circ\text{C}$ ,  $V_S = V^+ - V^-$ ,  $V^+ = 12\text{ V}$ ,  $V^- = 0\text{ V}$ ,  $-2\text{ V} < V_{CM} < 76\text{ V}$ ,  $R_G = 25\text{ k}\Omega$ ,  $R_L = 10\text{ M}\Omega$ .<sup>(1)</sup>

| PARAMETER               |  | TEST CONDITIONS  | MIN <sup>(2)</sup>          | TYP <sup>(3)</sup> | MAX <sup>(2)</sup> | UNIT                         |
|-------------------------|--|--|-----------------------------|--------------------|--------------------|------------------------------|
| $V_{OS}$                | Input Offset Voltage   | $V_{CM} = 2.1\text{ V}$  |                             | -1                 | 1                  | mV                           |
|                         |  |  | At the temperature extremes | -1.7               | 1.7                |                              |
| $TCV_{OS}$              | Input Offset Voltage Drift <sup>(4)(5)</sup>                         | $V_{CM} = 2.1\text{ V}$  |                             |                    | 7                  | $\mu\text{V}/^\circ\text{C}$ |
| $I_B$                   | Input Bias Current <sup>(6)</sup>                                    | $V_{CM} = 2.1\text{ V}$  |                             | 13                 | 23                 | $\mu\text{A}$                |
| $e_{ni}$                | Input Voltage Noise <sup>(5)</sup>                                   | $f > 10\text{ kHz}$ , $R_G = 5\text{ k}\Omega$   |                             | 120                |                    | $\text{nV}/\sqrt{\text{Hz}}$ |
| $V_{SENSE(MAX)}$        | Max Input Sense Voltage <sup>(5)</sup>                               | $V_{CM} = 12\text{ V}$ , $R_G = 5\text{ k}\Omega$  |                             | 600                |                    | mV                           |
| Gain $A_V$              | Adjustable Gain Setting <sup>(5)</sup>                               | $V_{CM} = 12\text{ V}$   |                             | 1                  | 100                | V/V                          |
| $G_m$                   | Transconductance   | $V_{CM} = 2.1\text{ V}$  |                             | 200                |                    | $\mu\text{A}/\text{V}$       |
|                         | Accuracy   | $V_{CM} = 2.1\text{ V}$  |                             | -2%                | 2%                 |                              |
|                         |  |  | At the temperature extremes | -3.4%              | 3.4%               |                              |
| Gm drift <sup>(5)</sup> | $-40^\circ\text{C}$ to $125^\circ\text{C}$ , $V_{CM} = 2.1\text{ V}$ |  |                             |                    | 140                | ppm / $^\circ\text{C}$       |
| PSRR                    | Power Supply Rejection Ratio   | $V_{CM} = 2.1\text{ V}$ , $2.7\text{ V} < V^+ < 12\text{ V}$   |                             | 90                 |                    | dB                           |
| CMRR                    | Common-Mode Rejection Ratio  | LMP8645HV $2.1\text{ V} < V_{CM} < 76\text{ V}$<br>LMP8645 $2.1\text{ V} < V_{CM} < 42\text{ V}$   |                             | 95                 |                    | dB                           |
|                         |  | $-2\text{ V} < V_{CM} < 2\text{ V}$  |                             | 60                 |                    |                              |
| BW                      | -3-dB Bandwidth <sup>(5)</sup>                                       | $R_G = 10\text{ k}\Omega$ , $C_G = 4\text{ pF}$ , $V_{SENSE} = 400\text{ mV}$ ,<br>$C_L = 30\text{ pF}$ , $R_L = 1\text{ M}\Omega$                     |                             | 860                |                    | kHz                          |
|                         |  | $R_G = 25\text{ k}\Omega$ , $C_G = 4\text{ pF}$ , $V_{SENSE} = 400\text{ mV}$ ,<br>$C_L = 30\text{ pF}$ , $R_L = 1\text{ M}\Omega$                     |                             | 260                |                    |                              |
|                         |  | $R_G = 50\text{ k}\Omega$ , $C_G = 4\text{ pF}$ , $V_{SENSE} = 400\text{ mV}$ ,<br>$C_L = 30\text{ pF}$ , $R_L = 1\text{ M}\Omega$                     |                             | 140                |                    |                              |
| SR                      | Slew Rate <sup>(7) (5)</sup>   | $V_{CM} = 5\text{ V}$ , $C_G = 4\text{ pF}$ , $V_{SENSE}$ from $100\text{ mV}$<br>to $500\text{ mV}$ , $C_L = 30\text{ pF}$ , $R_L = 1\text{ M}\Omega$ |                             | 0.6                |                    | V/ $\mu\text{s}$             |
| $I_S$                   | Supply Current   | $V_{CM} = 2.1\text{ V}$  |                             | 555                | 765                | $\mu\text{A}$                |
|                         |  |  | At the temperature extremes |                    | 920                |                              |
|                         |  | $V_{CM} = -2\text{ V}$   |                             | 2200               | 2900               |                              |
|                         |  |  | At the temperature extremes |                    | 3110               |                              |
| $V_{OUT}$               | Maximum Output Voltage   | $V_{CM} = 12\text{ V}$ , $R_G = 500\text{ k}\Omega$  |                             | 10.2               |                    | V                            |
|                         | Minimum Output Voltage   | $V_{CM} = 2.1\text{ V}$  |                             |                    | 24                 | mV                           |
| $I_{OUT}$               | Output current <sup>(5)</sup>  | Sourcing, $V_{OUT} = 5.25\text{ V}$ , $R_G = 150\text{ k}\Omega$   |                             | 5                  |                    | mA                           |
|                         |  | Sinking, $V_{OUT} = 5.25\text{ V}$ , $R_G = 150\text{ k}\Omega$  |                             | 5                  |                    |                              |
| $C_{LOAD}$              | Max Output Capacitance Load <sup>(5)</sup>                           |  |                             | 30                 |                    | pF                           |

- Electrical Table values apply only for factory testing conditions at the temperature indicated. Factory testing conditions result in very limited self-heating of the device such that  $T_J = T_A$ . No specification of parametric performance is indicated in the electrical tables under conditions of internal self-heating where  $T_J > T_A$ .
- All limits are specified by testing, design, or statistical analysis.
- Typical values represent the most likely parametric norm at the time of characterization. Actual typical values may vary over time and will also depend on the application and configuration. The typical values are not tested and are not ensured on shipped production material.
- Offset voltage temperature drift is determined by dividing the change in  $V_{OS}$  at the temperature extremes by the total temperature change.
- This parameter is specified by design and/or characterization and is not tested in production.
- Positive Bias Current corresponds to current flowing into the device.
- The number specified is the average of rising and falling slew rates and measured at 90% to 10%.

### 6.8 Typical Characteristics

Unless otherwise specified:  $T_A = 25^\circ\text{C}$ ,  $V_S = V^+ - V^-$ ,  $V_{\text{SENSE}} = +\text{IN} - (-\text{IN})$ ,  $R_L = 10\text{ M}\Omega$ .

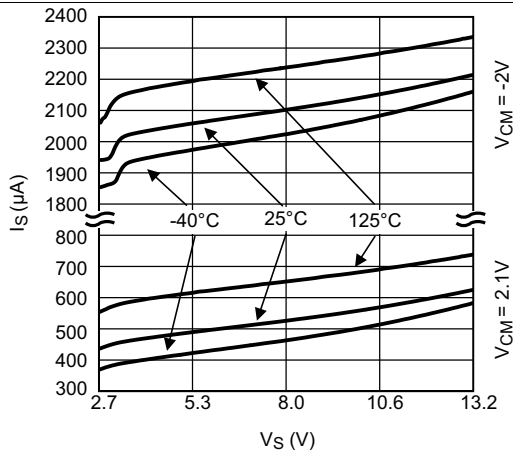


Figure 1. Supply Current vs. Supply Voltage

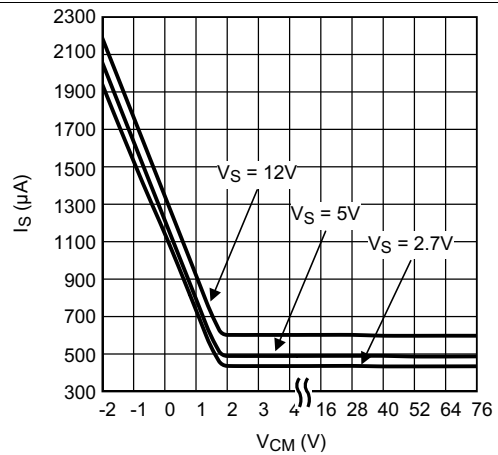


Figure 2. Supply Current vs.  $V_{\text{CM}}$

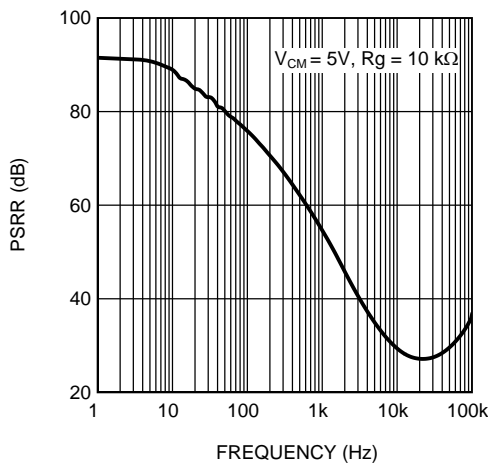


Figure 3. AC PSRR vs. Frequency

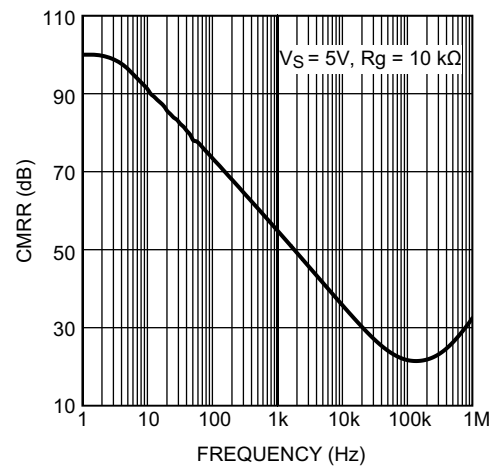


Figure 4. AC CMRR vs. Frequency

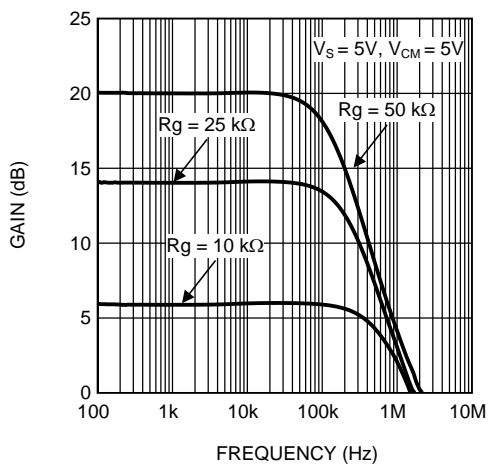


Figure 5. Gain vs. Frequency

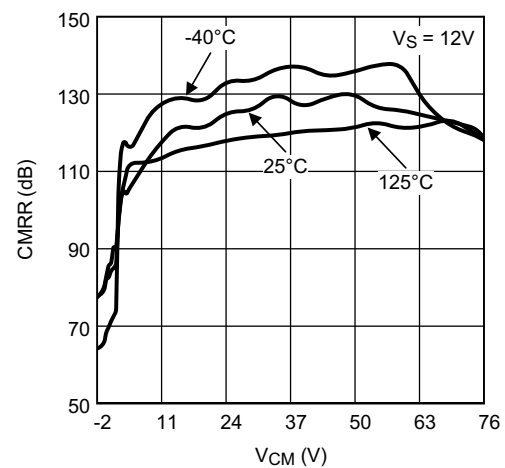


Figure 6. CMRR vs.  $V_{\text{CM}}$

Typical Characteristics (continued)

Unless otherwise specified:  $T_A = 25^\circ\text{C}$ ,  $V_S = V^+ - V^-$ ,  $V_{\text{SENSE}} = +\text{IN} - (-\text{IN})$ ,  $R_L = 10\ \text{M}\Omega$ .

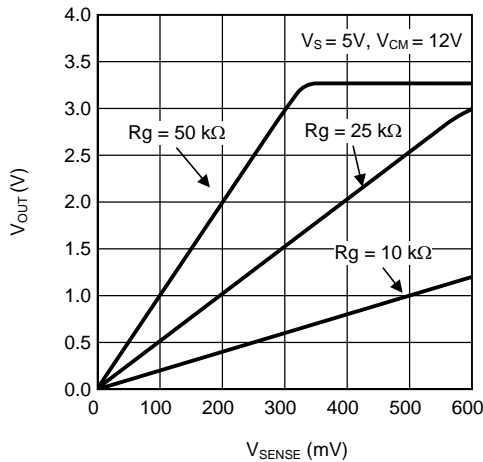


Figure 7. Output Voltage vs.  $V_{\text{SENSE}}$

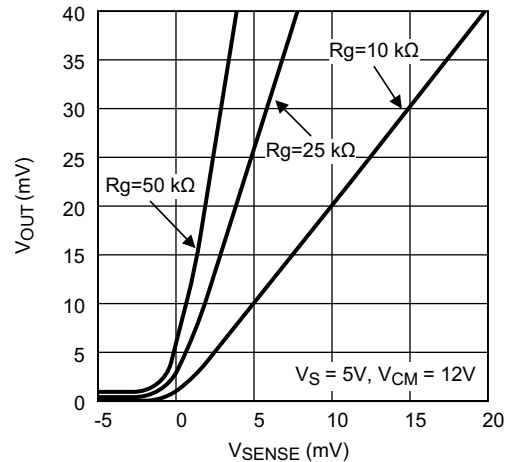


Figure 8. Output Voltage vs.  $V_{\text{SENSE}}$  (ZOOM Close to 0 V)

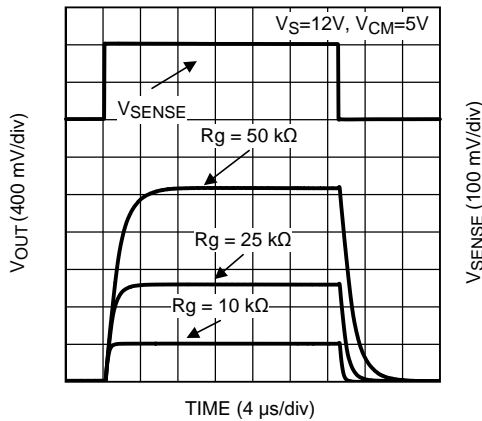


Figure 9. Large Step Response

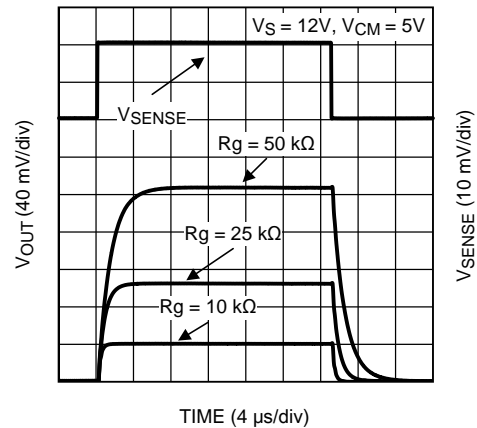


Figure 10. Small Step Response

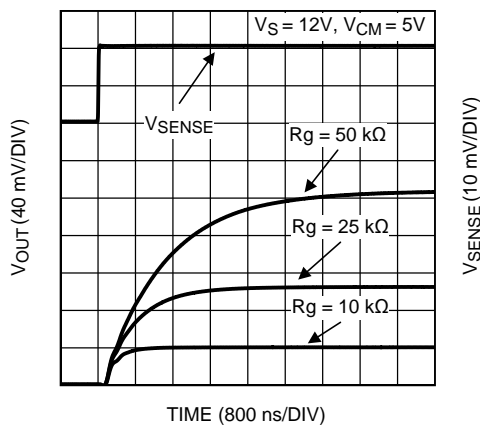


Figure 11. Settling Time (Rise)

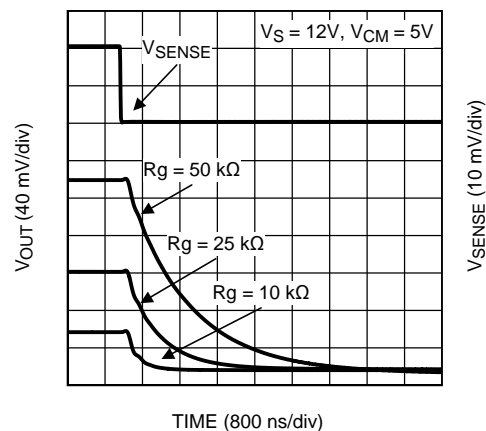
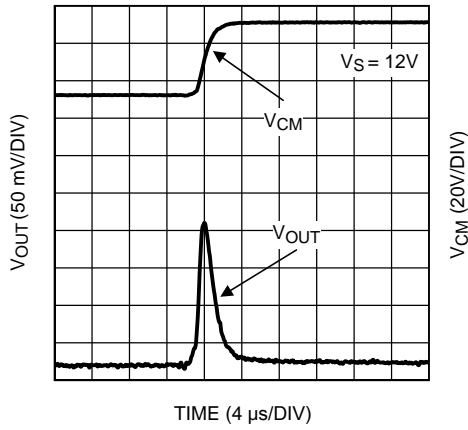


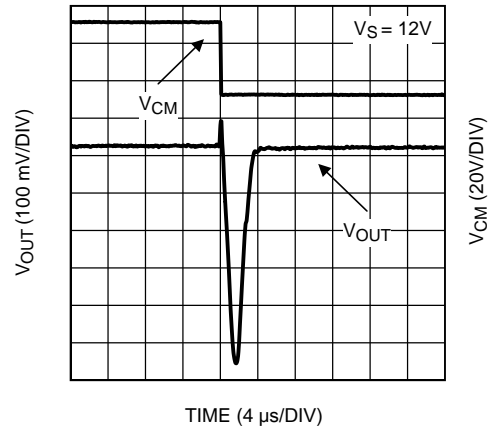
Figure 12. Settling Time (Fall)

### Typical Characteristics (continued)

Unless otherwise specified:  $T_A = 25^\circ\text{C}$ ,  $V_S = V^+ - V^-$ ,  $V_{\text{SENSE}} = +\text{IN} - (-\text{IN})$ ,  $R_L = 10\text{ M}\Omega$ .



**Figure 13. Common-Mode Step Response (Rise)**



**Figure 14. Common-Mode Step Response (Fall)**

## 7 Detailed Description

### 7.1 Overview

Operating from a 2.7-V to 12-V supply range, the LMP8645 accepts input signals with a common-mode voltage range of  $-2\text{ V}$  to  $42\text{ V}$ , while the LMP8645HV accepts input signals with a common-mode voltage range of  $-2\text{ V}$  to  $76\text{ V}$ . The LMP8645 and LMP8645HV have adjustable gain, set by a single resistor, for applications where supply current and high common-mode voltage are the determining factors.

#### 7.1.1 Theory of Operation

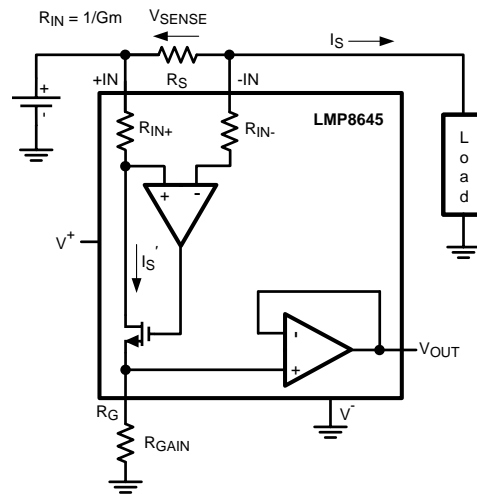


Figure 15. Current Monitor Example Circuit

As seen in Figure 15, the current flowing through the shunt resistor ( $R_S$ ) develops a voltage drop equal to  $V_{SENSE}$  across  $R_S$ . The resulting voltage at the  $-IN$  pin will now be less than  $+IN$  pin proportional to the  $V_{SENSE}$  voltage.

The sense amplifier senses this indifference and increases the gate drive to the MOSFET to increase  $I_S'$  current flowing through the  $R_{IN+}$  string until the amplifier inputs are equal. In this way, the voltage drop across  $R_{IN+}$  now matches the voltage drop across  $V_{SENSE}$ .

The  $R_{IN}$  resistors are trimmed to a nominal value of  $5\text{ k}\Omega$  each. The current  $I_S'$  flows through  $R_{IN+}$ , the MOSFET, and  $R_{GAIN}$  to ground. The  $I_S'$  current generates the voltage  $V_G$  across  $R_{GAIN}$ . The gain is created by the ratio of  $R_{GAIN}$  and  $R_{IN}$ .

A current proportional to  $I_S$  is generated according to the following relation:

$$I_S' = V_{SENSE} / R_{IN} = R_S \times I_S / R_{IN}$$

where

$$\bullet R_{IN} = 1 / G_m \quad (1)$$

This current flows entirely in the external gain resistor developing a voltage drop equal to:

$$V_G = I_S' \times R_{GAIN} = (V_{SENSE} / R_{IN}) \times R_{GAIN} = ((R_S \times I_S) / R_{IN}) \times R_{GAIN} \quad (2)$$

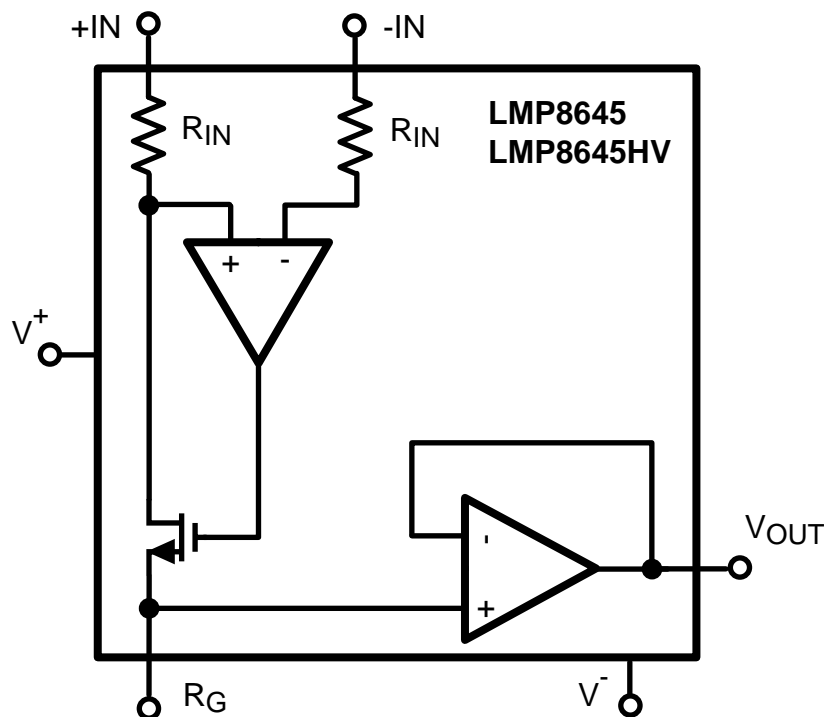
This voltage is buffered and presented at the output with a very low output impedance allowing a very easy interface to other devices (ADC,  $\mu\text{C}$ ...).

$$V_{OUT} = (R_S \times I_S) \times G$$

where

$$\bullet G = R_{GAIN} / R_{IN} \quad (3)$$

## 7.2 Functional Block Diagram



## 7.3 Feature Description

### 7.3.1 Driving ADC

The input stage of an Analog-to-Digital converter can be modeled with a resistor and a capacitance versus ground. So if the voltage source does not have a low impedance, an error in the measurement of the amplitude will occur. In this condition a buffer is needed to drive the ADC. The LMP8645 has an internal output buffer able to drive a capacitance load up to 30 pF or the input stage of an ADC. If required an external lowpass RC filter can be added at the output of the LMP8645 to reduce the noise and the bandwidth of the current sense. Any other filter solution that implies a capacitance connected to the  $R_G$  pin is not suggested due to the high impedance of that pin.

## Feature Description (continued)

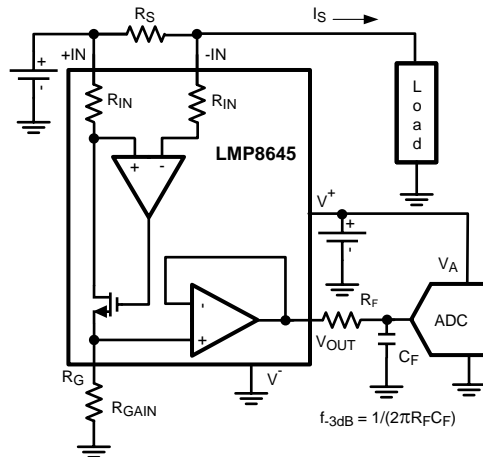


Figure 16. LMP8645 to ADC Interface

### 7.3.2 Applying Input Voltage With No Supply Voltage

The full specified input common-mode voltage range may be applied to the inputs while the LMP8645 power is off ( $V^+ = 0\text{ V}$ ). When the LMP8645 is powered off, the  $R_{IN}$  resistors are disconnected internally by MOSFETS and the leakage currents are very low (sub  $\mu\text{A}$ ).

The 6-V input differential limit still applies, so at no time should the two inputs be more than 6-V apart. There are also Zener clamps on the inputs to ground, so do not exceed the input limits specified in the [Absolute Maximum Ratings](#)<sup>(8)(9)(10)</sup>.

## 7.4 Device Functional Modes

### 7.4.1 Selection of the Gain Resistor

For the LMP8645 and LMP8645HV, the gain is selected through an external gain set resistor connected to the  $R_G$  pin. Moreover, the gain resistor  $R_{GAIN}$  determines the voltage of the output buffer, which is related to the supply voltage and also to the common-mode voltage of the input signal.

### 7.4.2 Gain Range Limitations

The gain resistor must be chosen such that the theoretical maximum output voltage does not exceed the LMP8645 maximum output voltage rating for a given common-mode voltage. These limits are due to the internal amplifier bias point and the  $V_{CM}$  headroom required to generate the required currents across the  $R_{IN}$  and  $R_{GAIN}$  resistors.

The following sections explain how to select the gain resistor for various ranges of the input common-mode voltage.

#### 7.4.2.1 Range 1: $V_{CM}$ is $-2\text{ V}$ to $1.8\text{ V}$

The maximum voltage at the  $R_G$  pin is given by the following inequality:

$$V_{RG} = V_{\text{sense}} \times R_{GAIN} \times G_m \leq \min(1.3\text{ V}; V_{\text{out\_max}})$$

where

- $V_{\text{out\_max}}$  is the maximum allowable output voltage according to the Electrical Tables (4)

- (8) Stresses beyond those listed under *Absolute Maximum Ratings* may cause permanent damage to the device. These are stress ratings only, which do not imply functional operation of the device at these or any other conditions beyond those indicated under *Recommended Operating Conditions*. Exposure to absolute-maximum-rated conditions for extended periods may affect device reliability.
- (9) If Military/Aerospace specified devices are required, contact the Texas Instruments Sales Office/Distributors for availability and specifications.
- (10) For soldering specifications, refer to [SNOA549](#)

### Device Functional Modes (continued)

All the gain resistors ( $R_{GAIN}$ ) values which respect the previous inequality are allowed. The graphical representation of Figure 17 helps in the selection.

All the combinations ( $V_{SENSE}$ ,  $R_{GAIN}$ ) below the curve are allowed.

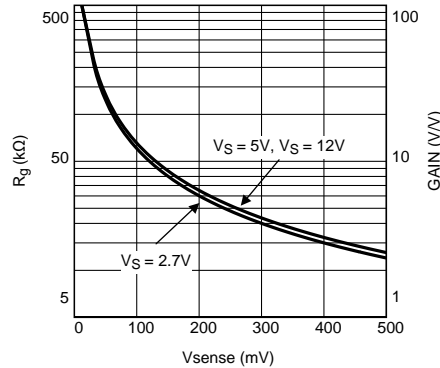


Figure 17. Allowed Gains for Range 1

As a consequence, once selected, the gain ( $R_{GAIN}$ ) and the  $V_{SENSE}$  range is fixed, too.

For example if an application required a Gain of 10,  $R_G$  will be 50 kΩ and  $V_{SENSE}$  will be in the range 10 mV to 100 mV.

#### 7.4.2.2 Range 2: $V_{CM}$ is 1.8 V to $V_S$

In this range, the maximum voltage at the  $R_G$  pin is related to the common-mode voltage and  $V_{SENSE}$ . So all the  $R_{GAIN}$  resistor values which respect the following inequalities are allowed:

$$V_{RG} \leq \min(V_{out\_max}; (V_{CM} - V_{sense} - 250 \text{ mV}))$$

where

- $V_{RG} = V_{SENSE} * R_{GAIN} * G_m$
- $V_{out\_max}$  is the maximum allowable output voltage according to the [2.7-V Electrical Characteristics](#), [5-V Electrical Characteristics](#), and [12-V Electrical Characteristics](#). (5)

The graphical representation in Figure 18 helps in the selection.

All the combinations ( $V_{SENSE}$ ,  $R_{GAIN}$ ) below the curves for given  $V_{CM}$  and supply voltage are allowed.

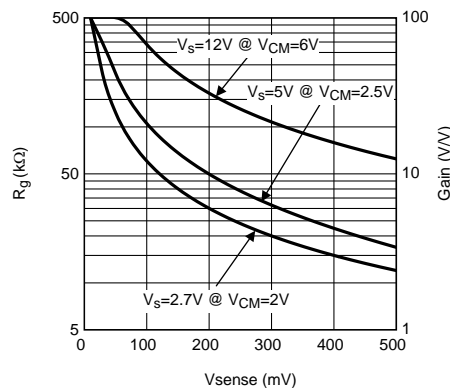


Figure 18. Allowed Gains for Range 2

Also in this range, once selected, the  $R_{GAIN}$  (Gain) and the  $V_{SENSE}$  range is fixed too.

## Device Functional Modes (continued)

### 7.4.2.3 Range 3: $V_{CM}$ is greater than $V_S$

The maximum voltage at the  $R_G$  pin is  $V_{out\_max}$ , it means that:

$$V_{OUT} = V_{SENSE} \times R_{GAIN} / R_{IN} \leq V_{out\_max}$$

where

- $V_{out\_max}$  is the maximum allowable output voltage according to the Electrical Tables (6)

So all the  $R_{GAIN}$  resistors which respect the previous inequality are allowed. The graphical representation in Figure 19 helps with the selection.

All the combinations ( $V_{SENSE}$ ,  $R_{GAIN}$ ) below the curves are allowed.

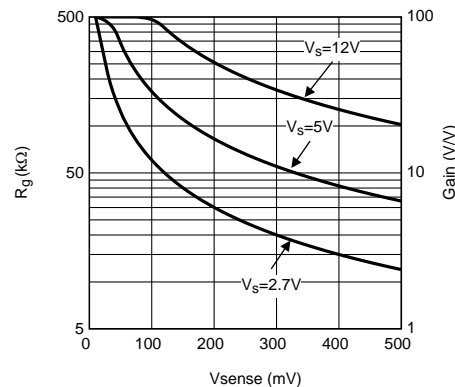


Figure 19. Allowed Gains for Range 3

Also in this range once selected the  $R_{GAIN}$  (Gain) the  $V_{SENSE}$  range is fixed too.

From the ranges shown above, a good way to maximize the output voltage swing of the LMP8645 is to select the maximum allowable  $R_{GAIN}$  according to the previous equations. For a fixed supply voltage and  $V_{SENSE}$  as the common-mode voltage increases, the maximum allowable  $R_{GAIN}$  increases too.

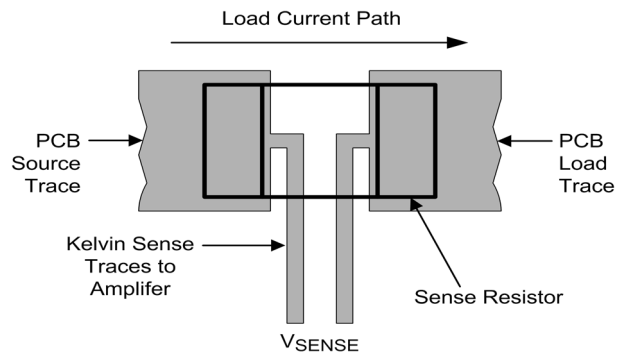
### 7.4.3 Selection of Sense Resistor

The accuracy of the current measurement highly depends on the value of the shunt resistor  $R_S$ . Its value depends on the application and it is a compromise between small-signal accuracy and maximum permissible voltage (and power) loss in the sense resistor. High values of  $R_S$  provide better accuracy at lower currents by minimizing the effects of amplifier offset. Low values of  $R_S$  minimize voltage and power loss in the supply section, but at the expense of low current accuracy. For most applications, best performance is obtained with an  $R_S$  value that provides a full-scale shunt voltage range of 100 mV to 200 mV.

In applications where a small current is sensed, a larger value of  $R_S$  is selected to minimize the error in the proportional output voltage. Higher resistor value improves the signal-to-noise ratio (SNR) at the input of the current sense amplifier and hence gives a more accurate output.

Similarly when high current is sensed, the power losses in  $R_S$  can be significant so a smaller value of  $R_S$  is desired. In this condition it is also required to take in account also the power rating of  $R_S$  resistor. The low input offset and customizable gain of the LMP8645 allows the use of small sense resistors to reduce power dissipation still providing a good input dynamic range. The input dynamic range is the ratio between the maximum signal that can be measured and the minimum signal that can be detected, where usually the input offset and amplifier noise are the principal limiting factors.

## Device Functional Modes (continued)



**Figure 20. Example of a Kelvin (4-Wire) Connection to a Two-Terminal Resistor**

The amplifier inputs should be directly connected to the sense resistor pads using *Kelvin* or *4-wire* connection techniques. The paths of the input traces should be identical, including connectors and vias, so that these errors will be equal and cancel.

### 7.4.3.1 Resistor Power Rating and Thermal Issues

The power dissipated by the sense resistor can be calculated from:

$$P_D = I_{MAX}^2 * R_S$$

where

- $P_D$  is the power dissipated by the resistor in Watts
- $I_{MAX}$  is the maximum load current in A
- $R_S$  is the sense resistor value in  $\Omega$ .

(7)

The resistor must be rated for more than the expected maximum power ( $P_D$ ), with margin for temperature derating. Be sure to observe any power derating curves provided by the resistor manufacturer.

Running the resistor at higher temperatures will also affect the accuracy. As the resistor heats up, the resistance generally goes up, which will cause a change in the measurement. The sense resistor should have as much heat-sinking as possible to remove this heat through the use of heatsinks or large copper areas coupled to the resistor pads. A reading drifting slightly after turnon can usually be traced back to sense resistor heating.

### 7.4.3.2 Using PCB Trace as a Sense Resistor

While it may be tempting to use the resistance of a known area of PCB trace or copper area as a sense resistor, TI does not recommend this for precision measurements.

The tempco of copper is typically 3300 to 4000 ppm/°K (0.33% to 0.4% per °C), which can vary with PCB processes.

A typical surface mount sense resistor temperature coefficient (tempco) is in the 50 ppm to 500 ppm per °C range offering more measurement consistency and accuracy over the copper trace. Special low tempco resistors are available in a range from 0.1 ppm to 50 ppm, but at a much higher cost.

### 7.4.4 Sense Line Inputs

The sense lines should be connected to a point on the resistor that is not shared with the main current path, as shown in [Figure 20](#). For lowest drift, the amplifier must be mounted away from any heat generating devices, which may include the sense resistor. The traces should be one continuous trace of copper from the sense resistor pad to the amplifier input pin pad, and ideally on the same copper layer with minimal vias or connectors. This can be important around the sense resistor if it is generating any significant heat gradients. Vias in the sense lines should be formed from continuous plated copper and routing through mating connectors or headers should be avoided. It is better to extend the sense lines than to place the amplifier in a hostile environment.

## Device Functional Modes (continued)

To minimize noise pickup and thermal errors, the input traces should be treated like a high-speed differential signal pair and routed tightly together with a direct path to the input pins on the same copper layer. They do not need to be *impedance matched*, but should follow the same matching rules about vias, spacing and equal lengths. The input traces should be run away from noise sources, such as digital lines, switching supplies, or motor drive lines.

Remember that these input traces can contain high voltage (up to 76 V), and should have the appropriate trace routing clearances to other components, traces and layers. Because the sense traces only carry the amplifier bias current, the connecting input traces can be thin traces running close together. This can help with routing or creating the required spacings.

---

### NOTE

Due to the nature of the device topology, the positive input bias current will vary with  $V_{\text{SENSE}}$  with an extra current approximately equivalent to  $V_{\text{SENSE}} / 5 \text{ k}\Omega$  on top of the typical 12  $\mu\text{A}$  bias current.

---

The negative input bias current is not in the feedback path and will not change over  $V_{\text{SENSE}}$ . High or mismatched source impedances should be avoided as this imbalance will create an additional error term over input voltage.

#### 7.4.4.1 Effects of Series Resistance on Sense Lines

While the sense amplifier is depicted as a conventional operational amplifier, it really is based on a current-differencing topology. The input stage uses precision 5-k $\Omega$  resistors internally to convert the voltage on the input pin onto a current, so any resistance added in series with the input pins will change this resistance, and thus the resulting current, causing an error. TI recommends that the total path resistance be less than 10  $\Omega$  and equal to both inputs.

If a resistance is added in series with an input, the gain of that input will not track that of the other input, causing a constant gain error.

TI does not recommend using external resistance to alter the gain, as external resistors do not have the same thermal matching and tracking as the internal thin film resistors. Any added resistance will severely degrade the offset and CMRR specifications.

If resistors are purposely added for filtering, resistance should be added equally to both inputs and be less than 10  $\Omega$ , and the user should be aware that the gain will change slightly.

## 8 Application and Implementation

### NOTE

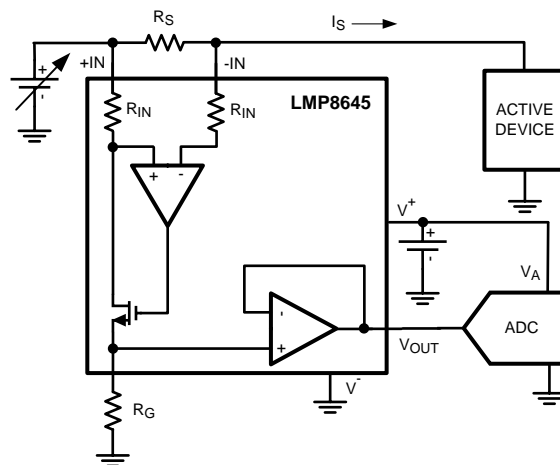
Information in the following applications sections is not part of the TI component specification, and TI does not warrant its accuracy or completeness. TI's customers are responsible for determining suitability of components for their purposes. Customers should validate and test their design implementation to confirm system functionality.

### 8.1 Application Information

The LMP8645 device measures the small voltage developed across a current-sensing resistor when current passes through it in the presence of high common-mode voltage. The gain is set by a single resistor and buffered to a single-ended output.

### 8.2 Typical Applications

#### 8.2.1 Typical Current Monitor Application



**Figure 21. LMP8645 in Current Monitor Application**

##### 8.2.1.1 Design Requirements

In this example, the LMP8645 is used to monitor the supply current of an active device (Refer to [Figure 21](#)). The LMP8645 supply voltage is 5 V and the active device is supplied with 12 V. The maximum load current is 1 A.

The LMP8645 will operate in all 3 ranges: in [Range 1](#) when turning on the power of the active device (rising from 0 V to 12 V), while briefly passing through [Range 2](#) as the load supply rises, and finally into [Range 3](#) for normal load operation.

Because the purpose of the application is monitor the current of the active device in any operating condition (power on, normal operation, fault, and so forth), the gain resistor will be selected according to [Range 1](#), the range that puts the most constraints to the maximum output voltage swing of the LMP8645.

##### 8.2.1.2 Detailed Design Procedure

At the start-up of the monitored device, the LMP8645 works at a common-mode voltage of 0 V, which means that the maximum output limit is 1.3 V (Range 1). To maximize the resolution, the  $R_{SENSE}$  value is calculated as maximum allowed  $V_{SENSE}$  (Refer to [Figure 17](#)) divided by maximum current (1 A), so  $R_{SENSE}=0.5\ \Omega$ .

Due to the output limitation at low common-mode voltage, the maximum allowed gain will be 2.6 V/V, which corresponds to  $R_{GAIN} = 13\ \text{k}\Omega$ . With this approach the current is monitored correctly at any working condition, but does not use the full output swing range of the LMP8645.

## Typical Applications (continued)

Alternatively if the monitored device doesn't sink the full 1 A at any supply voltage, it is possible to design with the full maximum output voltage of the LMP8645 when operating in Range 3 ( $V_{CM} \geq V_S$ ).

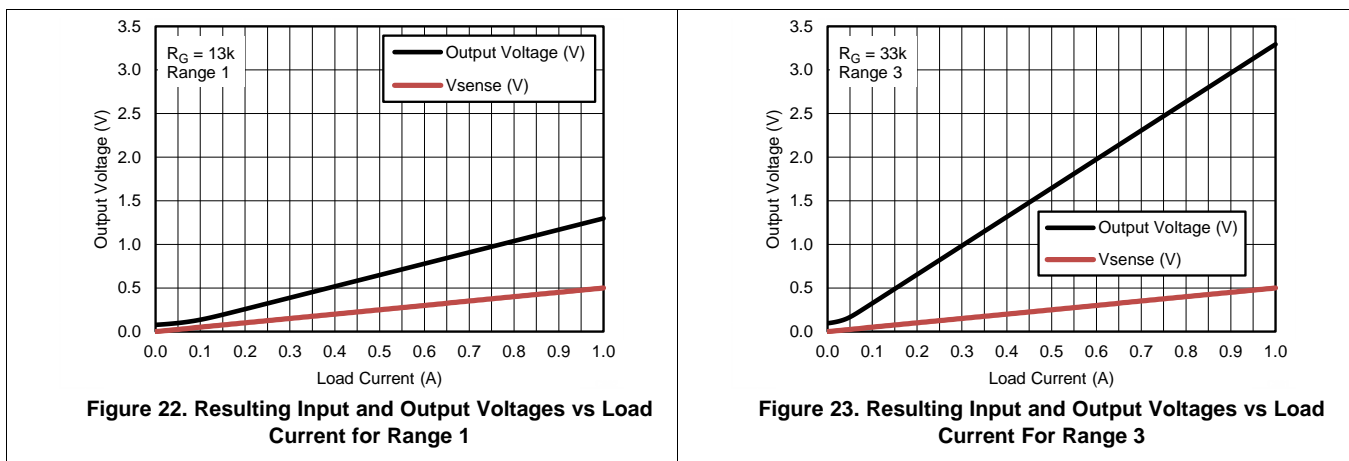
Also in this case it is possible to maximize the resolution using  $R_{sense} = 0.5 \Omega$ , and maximize the output dynamic range with  $R_{GAIN} = 33 \text{ k}\Omega$ . With this approach the maximum detectable current, when  $V_{CM}$  is less than 1.8 V, is about 400 mA. While for common-mode voltages of less than 2.5 V the maximum detectable current is 600 mA (Refer to Figure 17), and for common-mode voltages at or above the LMP8645 supply voltage, the maximum current is 1 A.

The second approach maximizes the output dynamic but implies some knowledge on the monitored current.

### 8.2.1.3 Application Curves

Figure 22 shows the resulting circuit voltages with the input load swept from 0 A to 1 A, with  $R_{GAIN} = 13 \text{ k}\Omega$  for operation in Range 1 (preferring accuracy over all load operating conditions).

Also shown in Figure 23 is the resulting output voltage with  $R_{GAIN} = 33 \text{ k}\Omega$  for operation in Range 3 (sacrificing low load supply accuracy while optimizing overall resolution at *normal* load operating conditions).



## 8.2.2 High Brightness LED Driver

The LMP8645 is the right choice in applications which require high-side current sense, such as High Brightness LED for automotive where the cathode of the LED must be connected to the ground (chassis) of the car. In Figure 24, the LMP8645 is used to monitor the current High Side in a high brightness LED together with a LM3406 constant current buck regulator LED driver.

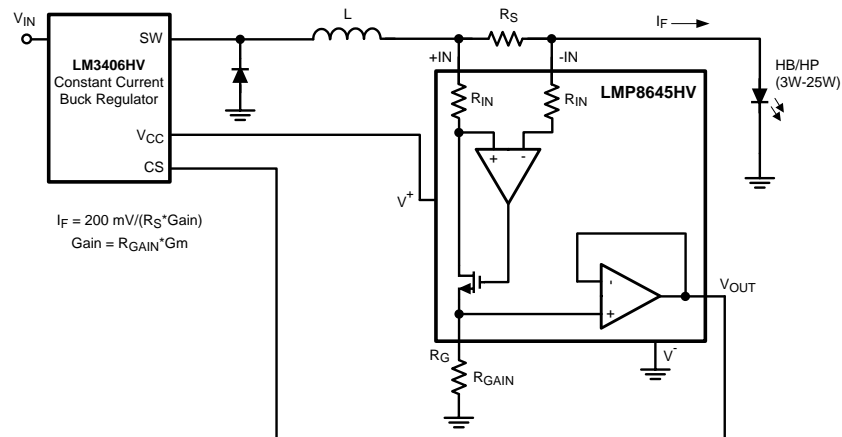


Figure 24. High-Side Current Sensing in Driving HP/HB LED

## Typical Applications (continued)

Even though LMP8645 will work in all 3 Ranges,  $R_{GAIN}$  will be calculated according to Range 3 because the purpose is regulating the current in the LEDs when the external MOSFET is OFF (LMP8645 at high  $V_{CM}$ ). Even if this approach makes the LMP8645 able to sense high peak current only in Range 3 where the dynamic output is higher than Range 1 the current resolution is maximized. At each switch ON/OFF of the MOSFET the LMP8645 goes from Range 1 (MOSFET ON, string of LED OFF), to Range 3 (MOSFET OFF, string of LED ON) passing through Range 2 (MOSFET OFF, string of LED OFF). Because the purpose of the application is to sense the current with high precision when the LED string is ON, the  $R_{GAIN}$  will be calculated according to the Range 3.

The LMP8645 supply voltage is supplied by the internal LDO of the LM3406 through the pin VCC. The LM3406 is expecting a 200-mV feedback signal at the current sense (SNS) pin. The LMP8645 must provide this 200 mV at the determined current limit.

The current which flows through the LED is programmed according to [Equation 8](#):

$$I_F = V_{CS} / (R_S \times \text{Gain})$$

where:

- Gain =  $R_{GAIN} \times G_m$
  - $V_{CS} = 200 \text{ mV}$
- (8)

In this application the current which flows in the HB LED is in the Range from 350 mA to 1 A, so to reduce the power dissipation on the shunt resistor and have a good accuracy, the  $R_S$  must be in the range from 50 m $\Omega$  and 200 m $\Omega$ . In [Table 1](#), two examples are analyzed.

To summarize, calculate the  $R_{GAIN}$  according to the range of operation in which the application mainly works. Once selected, the range considers the more stringent constraint

**Table 1. Comparison of Two Ranges**

|                  | $I_F=350 \text{ mA}$ | $I_F=1 \text{ A}$ |
|------------------|----------------------|-------------------|
| $R_{GAIN}$       | 40 k $\Omega$        | 36 k $\Omega$     |
| $R_S$            | 77 m $\Omega$        | 27 m $\Omega$     |
| Dissipated Power | 9.5 mW               | 27 mW             |
| Total Accuracy   | $\approx 5\%$        | $\approx 5\%$     |

## 9 Power Supply Recommendations

To decouple the LMP8645 from AC noise on the power supply, TI recommends using a 0.1- $\mu$ F bypass capacitor between the  $V_S$  and GND pins. This capacitor must be placed as close as possible to the supply pins. In some cases, an additional 10- $\mu$ F bypass capacitor may further reduce the supply noise.

## 10 Layout

### 10.1 Layout Guidelines

The traces leading to and from the sense resistor can be significant error sources. With small value sense resistors ( $< 100\text{ m}\Omega$ ), any trace resistance shared with the load current can cause significant errors.

The amplifier inputs should be directly connected to the sense resistor pads using *Kelvin* or *4-wire* connection techniques. The traces should be one continuous piece of copper from the sense resistor pad to the amplifier input pin pad, and ideally on the same copper layer with minimal vias or connectors. This can be important around the sense resistor if it is generating any significant heat gradients.

To minimize noise pick-up and thermal errors, the input traces should be treated like a differential signal pair and routed tightly together with a direct path to the input pins (preferably on the same copper layer). The input traces should be run away from noise sources, such as digital lines, switching supplies or motor drive lines.

Ensure that the sense traces have the appropriate trace routing clearances for the expected load supply voltages.

Because the sense traces only carry the amplifier bias current, the connecting input traces can be thinner, signal level traces. Excessive Resistance in the trace should also be avoided.

The paths of the traces should be identical, including connectors and vias, so that any errors will be equal and cancel.

The sense resistor will heat up as the load increases. As the resistor heats up, the resistance generally goes up, which will cause a change in the readings. The sense resistor should have as much heatsinking as possible to remove this heat through the use of heatsinks or large copper areas coupled to the resistor pads.

The gain set resistor pin is a sensitive node and can pick up noise. Keep the gain set resistor close to the RG pin and minimize  $R_{GAIN}$  trace length. Connect the grounded end of  $R_{GAIN}$  directly to the LMP8645 ground pin.

### 10.2 Layout Example

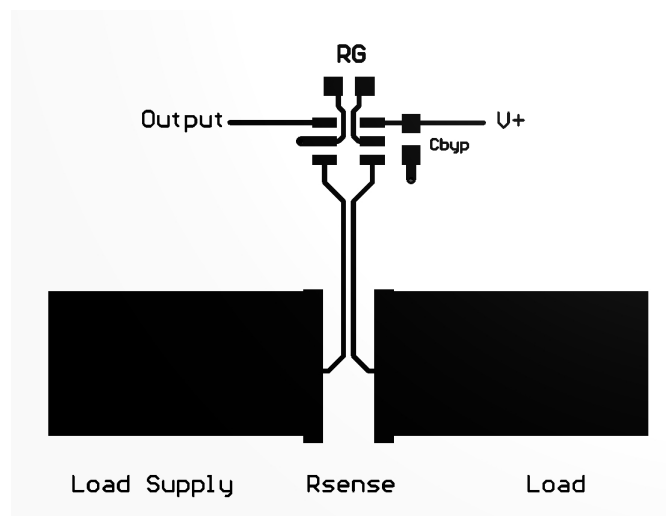


Figure 25. Layout Example

## 11 Device and Documentation Support

### 11.1 Device Support

#### 11.1.1 Development Support

LMP8645 TINA SPICE Model, [SNOM087](#)

TINA-TI SPICE-Based Analog Simulation Program, <http://www.ti.com/tool/tina-ti>

Evaluation Board for the LMP8645, <http://www.ti.com/tool/lmp8645mkeval>

### 11.2 Documentation Support

#### 11.2.1 Related Documentation

For related documentation, see the following:

*AN-1975 LMP8640 / LMP8645 Evaluation Board User Guide*, [SNOA546](#)

### 11.3 Related Links

The following table lists quick access links. Categories include technical documents, support and community resources, tools and software, and quick access to sample or buy.

**Table 2. Related Links**

| PARTS     | PRODUCT FOLDER             | SAMPLE & BUY               | TECHNICAL DOCUMENTS        | TOOLS & SOFTWARE           | SUPPORT & COMMUNITY        |
|-----------|----------------------------|----------------------------|----------------------------|----------------------------|----------------------------|
| LMP8645   | <a href="#">Click here</a> | <a href="#">Click here</a> | <a href="#">Click here</a> | <a href="#">Click here</a> | <a href="#">Click here</a> |
| LMP8645HV | <a href="#">Click here</a> | <a href="#">Click here</a> | <a href="#">Click here</a> | <a href="#">Click here</a> | <a href="#">Click here</a> |

### 11.4 Community Resources

The following links connect to TI community resources. Linked contents are provided "AS IS" by the respective contributors. They do not constitute TI specifications and do not necessarily reflect TI's views; see TI's [Terms of Use](#).

**TI E2E™ Online Community** *TI's Engineer-to-Engineer (E2E) Community*. Created to foster collaboration among engineers. At [e2e.ti.com](http://e2e.ti.com), you can ask questions, share knowledge, explore ideas and help solve problems with fellow engineers.

**Design Support** *TI's Design Support* Quickly find helpful E2E forums along with design support tools and contact information for technical support.

For support, visit the Current Sense Amplifier E2E support forum at <https://e2e.ti.com/support/amplifiers/current-shunt-monitors/>

### 11.5 Trademarks

E2E is a trademark of Texas Instruments.

All other trademarks are the property of their respective owners.

### 11.6 Electrostatic Discharge Caution



These devices have limited built-in ESD protection. The leads should be shorted together or the device placed in conductive foam during storage or handling to prevent electrostatic damage to the MOS gates.

### 11.7 Glossary

[SLYZ022](#) — *TI Glossary*.

This glossary lists and explains terms, acronyms, and definitions.

## 12 Mechanical, Packaging, and Orderable Information

The following pages include mechanical, packaging, and orderable information. This information is the most current data available for the designated devices. This data is subject to change without notice and revision of this document. For browser-based versions of this data sheet, refer to the left-hand navigation.

**PACKAGING INFORMATION**

| Orderable Device  | Status<br>(1) | Package Type | Package Drawing | Pins | Package Qty | Eco Plan<br>(2)         | Lead/Ball Finish<br>(6) | MSL Peak Temp<br>(3) | Op Temp (°C) | Device Marking<br>(4/5) | Samples                 |
|-------------------|---------------|--------------|-----------------|------|-------------|-------------------------|-------------------------|----------------------|--------------|-------------------------|-------------------------|
| LMP8645HVMK/NOPB  | ACTIVE        | SOT          | DDC             | 6    | 1000        | Green (RoHS & no Sb/Br) | CU NIPDAU               | Level-1-260C-UNLIM   | -40 to 125   | AK6A                    | <a href="#">Samples</a> |
| LMP8645HVMKE/NOPB | ACTIVE        | SOT          | DDC             | 6    | 250         | Green (RoHS & no Sb/Br) | CU NIPDAU               | Level-1-260C-UNLIM   | -40 to 125   | AK6A                    | <a href="#">Samples</a> |
| LMP8645HVMKX/NOPB | ACTIVE        | SOT          | DDC             | 6    | 3000        | Green (RoHS & no Sb/Br) | CU NIPDAU               | Level-1-260C-UNLIM   | -40 to 125   | AK6A                    | <a href="#">Samples</a> |
| LMP8645MK/NOPB    | ACTIVE        | SOT          | DDC             | 6    | 1000        | Green (RoHS & no Sb/Br) | CU NIPDAU               | Level-1-260C-UNLIM   | -40 to 125   | AJ6A                    | <a href="#">Samples</a> |
| LMP8645MKE/NOPB   | ACTIVE        | SOT          | DDC             | 6    | 250         | Green (RoHS & no Sb/Br) | CU NIPDAU               | Level-1-260C-UNLIM   | -40 to 125   | AJ6A                    | <a href="#">Samples</a> |
| LMP8645MKX/NOPB   | ACTIVE        | SOT          | DDC             | 6    | 3000        | Green (RoHS & no Sb/Br) | CU NIPDAU               | Level-1-260C-UNLIM   | -40 to 125   | AJ6A                    | <a href="#">Samples</a> |

(1) The marketing status values are defined as follows:

**ACTIVE:** Product device recommended for new designs.

**LIFEBUY:** TI has announced that the device will be discontinued, and a lifetime-buy period is in effect.

**NRND:** Not recommended for new designs. Device is in production to support existing customers, but TI does not recommend using this part in a new design.

**PREVIEW:** Device has been announced but is not in production. Samples may or may not be available.

**OBSOLETE:** TI has discontinued the production of the device.

(2) Eco Plan - The planned eco-friendly classification: Pb-Free (RoHS), Pb-Free (RoHS Exempt), or Green (RoHS & no Sb/Br) - please check <http://www.ti.com/productcontent> for the latest availability information and additional product content details.

**TBD:** The Pb-Free/Green conversion plan has not been defined.

**Pb-Free (RoHS):** TI's terms "Lead-Free" or "Pb-Free" mean semiconductor products that are compatible with the current RoHS requirements for all 6 substances, including the requirement that lead not exceed 0.1% by weight in homogeneous materials. Where designed to be soldered at high temperatures, TI Pb-Free products are suitable for use in specified lead-free processes.

**Pb-Free (RoHS Exempt):** This component has a RoHS exemption for either 1) lead-based flip-chip solder bumps used between the die and package, or 2) lead-based die adhesive used between the die and leadframe. The component is otherwise considered Pb-Free (RoHS compatible) as defined above.

**Green (RoHS & no Sb/Br):** TI defines "Green" to mean Pb-Free (RoHS compatible), and free of Bromine (Br) and Antimony (Sb) based flame retardants (Br or Sb do not exceed 0.1% by weight in homogeneous material)

(3) MSL, Peak Temp. - The Moisture Sensitivity Level rating according to the JEDEC industry standard classifications, and peak solder temperature.

(4) There may be additional marking, which relates to the logo, the lot trace code information, or the environmental category on the device.

(5) Multiple Device Markings will be inside parentheses. Only one Device Marking contained in parentheses and separated by a "~" will appear on a device. If a line is indented then it is a continuation of the previous line and the two combined represent the entire Device Marking for that device.

<sup>(6)</sup> Lead/Ball Finish - Orderable Devices may have multiple material finish options. Finish options are separated by a vertical ruled line. Lead/Ball Finish values may wrap to two lines if the finish value exceeds the maximum column width.

**Important Information and Disclaimer:** The information provided on this page represents TI's knowledge and belief as of the date that it is provided. TI bases its knowledge and belief on information provided by third parties, and makes no representation or warranty as to the accuracy of such information. Efforts are underway to better integrate information from third parties. TI has taken and continues to take reasonable steps to provide representative and accurate information but may not have conducted destructive testing or chemical analysis on incoming materials and chemicals. TI and TI suppliers consider certain information to be proprietary, and thus CAS numbers and other limited information may not be available for release.

In no event shall TI's liability arising out of such information exceed the total purchase price of the TI part(s) at issue in this document sold by TI to Customer on an annual basis.

**TAPE AND REEL INFORMATION**

**QUADRANT ASSIGNMENTS FOR PIN 1 ORIENTATION IN TAPE**


\*All dimensions are nominal

| Device            | Package Type | Package Drawing | Pins | SPQ  | Reel Diameter (mm) | Reel Width W1 (mm) | A0 (mm) | B0 (mm) | K0 (mm) | P1 (mm) | W (mm) | Pin1 Quadrant |
|-------------------|--------------|-----------------|------|------|--------------------|--------------------|---------|---------|---------|---------|--------|---------------|
| LMP8645HVMK/NOPB  | SOT          | DDC             | 6    | 1000 | 178.0              | 8.4                | 3.2     | 3.2     | 1.4     | 4.0     | 8.0    | Q3            |
| LMP8645HVMKE/NOPB | SOT          | DDC             | 6    | 250  | 178.0              | 8.4                | 3.2     | 3.2     | 1.4     | 4.0     | 8.0    | Q3            |
| LMP8645HVMKX/NOPB | SOT          | DDC             | 6    | 3000 | 178.0              | 8.4                | 3.2     | 3.2     | 1.4     | 4.0     | 8.0    | Q3            |
| LMP8645MK/NOPB    | SOT          | DDC             | 6    | 1000 | 178.0              | 8.4                | 3.2     | 3.2     | 1.4     | 4.0     | 8.0    | Q3            |
| LMP8645MKE/NOPB   | SOT          | DDC             | 6    | 250  | 178.0              | 8.4                | 3.2     | 3.2     | 1.4     | 4.0     | 8.0    | Q3            |
| LMP8645MKX/NOPB   | SOT          | DDC             | 6    | 3000 | 178.0              | 8.4                | 3.2     | 3.2     | 1.4     | 4.0     | 8.0    | Q3            |

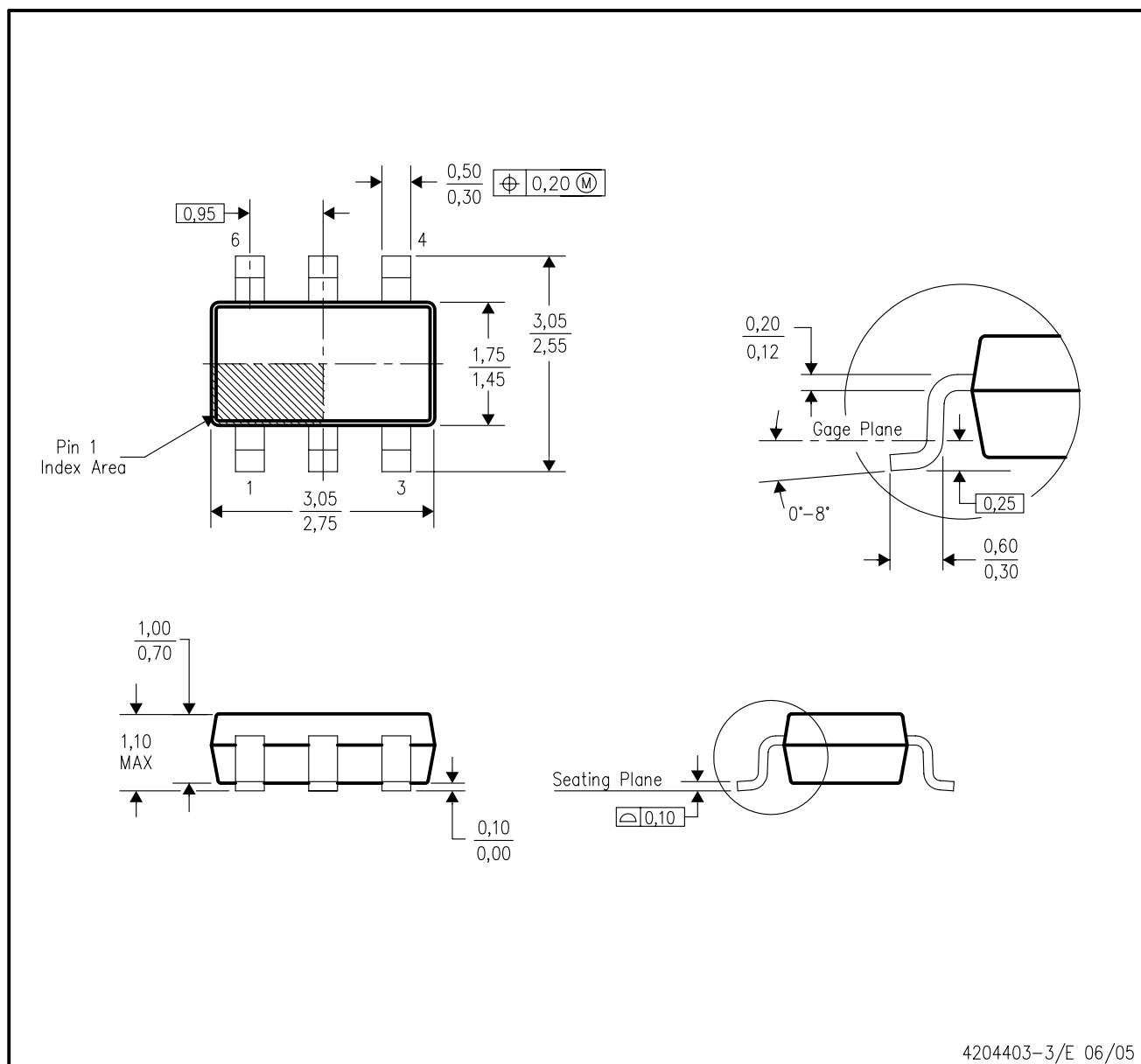
**TAPE AND REEL BOX DIMENSIONS**


\*All dimensions are nominal

| Device            | Package Type | Package Drawing | Pins | SPQ  | Length (mm) | Width (mm) | Height (mm) |
|-------------------|--------------|-----------------|------|------|-------------|------------|-------------|
| LMP8645HVMK/NOPB  | SOT          | DDC             | 6    | 1000 | 210.0       | 185.0      | 35.0        |
| LMP8645HVMKE/NOPB | SOT          | DDC             | 6    | 250  | 210.0       | 185.0      | 35.0        |
| LMP8645HVMKX/NOPB | SOT          | DDC             | 6    | 3000 | 210.0       | 185.0      | 35.0        |
| LMP8645MK/NOPB    | SOT          | DDC             | 6    | 1000 | 210.0       | 185.0      | 35.0        |
| LMP8645MKE/NOPB   | SOT          | DDC             | 6    | 250  | 210.0       | 185.0      | 35.0        |
| LMP8645MKX/NOPB   | SOT          | DDC             | 6    | 3000 | 210.0       | 185.0      | 35.0        |

DDC (R-PDSO-G6)

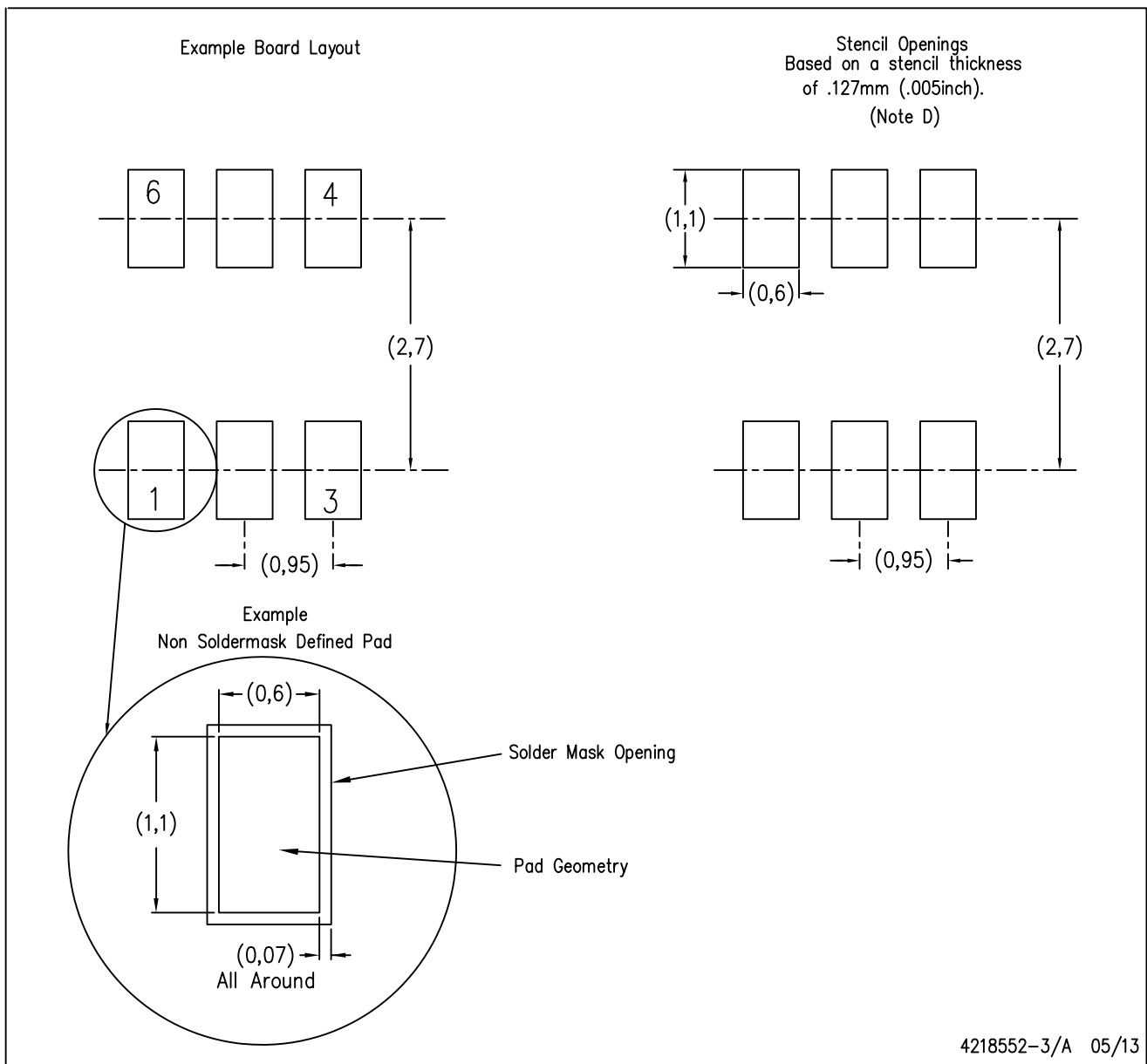
PLASTIC SMALL-OUTLINE



- NOTES:
- All linear dimensions are in millimeters.
  - This drawing is subject to change without notice.
  - Body dimensions do not include mold flash or protrusion.
  - Falls within JEDEC MO-193 variation AA (6 pin).

DDC (R-PDSO-G6)

PLASTIC SMALL OUTLINE



- NOTES:
- A. All linear dimensions are in millimeters.
  - B. This drawing is subject to change without notice.
  - C. Publication IPC-7351 is recommended for alternate designs.
  - D. Laser cutting apertures with trapezoidal walls and also rounding corners will offer better paste release. Customers should contact their board assembly site for stencil design recommendations. Example stencil design based on a 50% volumetric metal load solder paste. Refer to IPC-7525 for other stencil recommendations.

## IMPORTANT NOTICE

Texas Instruments Incorporated and its subsidiaries (TI) reserve the right to make corrections, enhancements, improvements and other changes to its semiconductor products and services per JESD46, latest issue, and to discontinue any product or service per JESD48, latest issue. Buyers should obtain the latest relevant information before placing orders and should verify that such information is current and complete. All semiconductor products (also referred to herein as "components") are sold subject to TI's terms and conditions of sale supplied at the time of order acknowledgment.

TI warrants performance of its components to the specifications applicable at the time of sale, in accordance with the warranty in TI's terms and conditions of sale of semiconductor products. Testing and other quality control techniques are used to the extent TI deems necessary to support this warranty. Except where mandated by applicable law, testing of all parameters of each component is not necessarily performed.

TI assumes no liability for applications assistance or the design of Buyers' products. Buyers are responsible for their products and applications using TI components. To minimize the risks associated with Buyers' products and applications, Buyers should provide adequate design and operating safeguards.

TI does not warrant or represent that any license, either express or implied, is granted under any patent right, copyright, mask work right, or other intellectual property right relating to any combination, machine, or process in which TI components or services are used. Information published by TI regarding third-party products or services does not constitute a license to use such products or services or a warranty or endorsement thereof. Use of such information may require a license from a third party under the patents or other intellectual property of the third party, or a license from TI under the patents or other intellectual property of TI.

Reproduction of significant portions of TI information in TI data books or data sheets is permissible only if reproduction is without alteration and is accompanied by all associated warranties, conditions, limitations, and notices. TI is not responsible or liable for such altered documentation. Information of third parties may be subject to additional restrictions.

Resale of TI components or services with statements different from or beyond the parameters stated by TI for that component or service voids all express and any implied warranties for the associated TI component or service and is an unfair and deceptive business practice. TI is not responsible or liable for any such statements.

Buyer acknowledges and agrees that it is solely responsible for compliance with all legal, regulatory and safety-related requirements concerning its products, and any use of TI components in its applications, notwithstanding any applications-related information or support that may be provided by TI. Buyer represents and agrees that it has all the necessary expertise to create and implement safeguards which anticipate dangerous consequences of failures, monitor failures and their consequences, lessen the likelihood of failures that might cause harm and take appropriate remedial actions. Buyer will fully indemnify TI and its representatives against any damages arising out of the use of any TI components in safety-critical applications.

In some cases, TI components may be promoted specifically to facilitate safety-related applications. With such components, TI's goal is to help enable customers to design and create their own end-product solutions that meet applicable functional safety standards and requirements. Nonetheless, such components are subject to these terms.

No TI components are authorized for use in FDA Class III (or similar life-critical medical equipment) unless authorized officers of the parties have executed a special agreement specifically governing such use.

Only those TI components which TI has specifically designated as military grade or "enhanced plastic" are designed and intended for use in military/aerospace applications or environments. Buyer acknowledges and agrees that any military or aerospace use of TI components which have **not** been so designated is solely at the Buyer's risk, and that Buyer is solely responsible for compliance with all legal and regulatory requirements in connection with such use.

TI has specifically designated certain components as meeting ISO/TS16949 requirements, mainly for automotive use. In any case of use of non-designated products, TI will not be responsible for any failure to meet ISO/TS16949.

### Products

|                              |  |
|------------------------------|--|
| Audio                        | <a href="http://www.ti.com/audio">www.ti.com/audio</a>                               |
| Amplifiers                   | <a href="http://amplifier.ti.com">amplifier.ti.com</a>                               |
| Data Converters              | <a href="http://dataconverter.ti.com">dataconverter.ti.com</a>                       |
| DLP® Products                | <a href="http://www.dlp.com">www.dlp.com</a>   |
| DSP                          | <a href="http://dsp.ti.com">dsp.ti.com</a>   |
| Clocks and Timers            | <a href="http://www.ti.com/clocks">www.ti.com/clocks</a>                             |
| Interface                    | <a href="http://interface.ti.com">interface.ti.com</a>                               |
| Logic                        | <a href="http://logic.ti.com">logic.ti.com</a>                                       |
| Power Mgmt                   | <a href="http://power.ti.com">power.ti.com</a>                                       |
| Microcontrollers             | <a href="http://microcontroller.ti.com">microcontroller.ti.com</a>                   |
| RFID                         | <a href="http://www.ti-rfid.com">www.ti-rfid.com</a>                                 |
| OMAP Applications Processors | <a href="http://www.ti.com/omap">www.ti.com/omap</a>                                 |
| Wireless Connectivity        | <a href="http://www.ti.com/wirelessconnectivity">www.ti.com/wirelessconnectivity</a> |

### Applications

|                               |  |
|-------------------------------|--|
| Automotive and Transportation | <a href="http://www.ti.com/automotive">www.ti.com/automotive</a>                         |
| Communications and Telecom    | <a href="http://www.ti.com/communications">www.ti.com/communications</a>                 |
| Computers and Peripherals     | <a href="http://www.ti.com/computers">www.ti.com/computers</a>                           |
| Consumer Electronics          | <a href="http://www.ti.com/consumer-apps">www.ti.com/consumer-apps</a>                   |
| Energy and Lighting           | <a href="http://www.ti.com/energy">www.ti.com/energy</a>                                 |
| Industrial                    | <a href="http://www.ti.com/industrial">www.ti.com/industrial</a>                         |
| Medical                       | <a href="http://www.ti.com/medical">www.ti.com/medical</a>                               |
| Security                      | <a href="http://www.ti.com/security">www.ti.com/security</a>                             |
| Space, Avionics and Defense   | <a href="http://www.ti.com/space-avionics-defense">www.ti.com/space-avionics-defense</a> |
| Video and Imaging             | <a href="http://www.ti.com/video">www.ti.com/video</a>                                   |

### TI E2E Community

[e2e.ti.com](http://e2e.ti.com)