

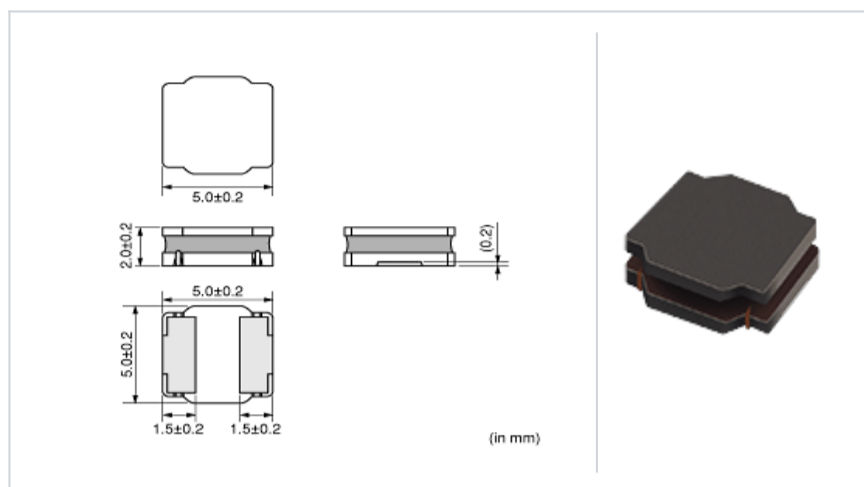
# LQH5BPN100MT0#

" # " indicates a package specification code.



< List of part numbers with package codes >  
LQH5BPN100MT0L , LQH5BPN100MT0K

## Shape



L size	5.0 ± 0.2mm
W size	5.0 ± 0.2mm
T size	2.0 ± 0.2mm
Size code in inch (mm)	2020 (5050)

## Notes

When applied Rated current to the Products, Inductance will be within ± 30% of initial Inductance value.  
When applied Rated current to the Products , self temperature rise shall be limited to 40 °C max.  
Keep the temperature ( ambient temperature plus self-generation o f heat) under 125 °C

## References

Packaging code	Specifications	Minimum quantity
L	180mm Embossed taping	500
K	330mm Embossed taping	3000

Mass (Typ.)	
1 piece	0.22g

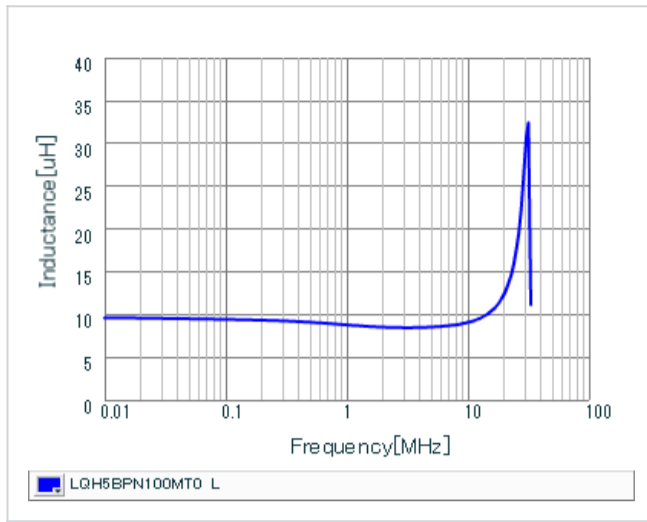
## Specifications

Inductance	10μH ± 20%
Inductance test frequency	100kHz
Rated current (I <sub>sat</sub> ) (Based on Inductance change)	2.0A
Rated current (I <sub>temp</sub> ) (Based on Temperature rise)	1.60A
Max. of DC resistance	0.1272
Avg. of DC resistance	0.106 ± 20%
Self resonance frequency (min.)	25MHz
Operating temperature range (Self-temperature rise is included)	-40 ~ 125
Operating temperature range (Self-temperature rise is not included)	-40 ~ 85
Class of magnetic shield	Magnetic shield of magnetic powder in resin

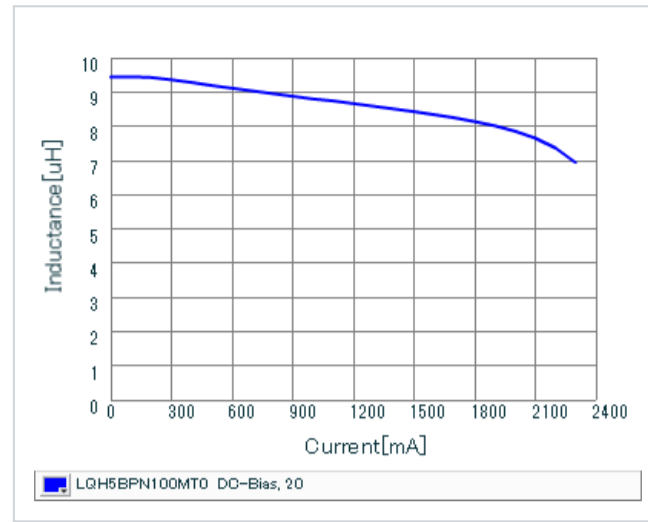
### ⚠ Attention

- This datasheet is downloaded from the website of Murata Manufacturing Co., Ltd. Therefore, it ' s specifications are subject to change or our products in it may be discontinued without advance notice. Please check with our sales representatives or product engineers before ordering.
- This datasheet has only typical specifications because there is no space for detailed specifications. Therefore, please review our product specifications or consult the approval sheet for product specifications before ordering.

▪ Inductance-Frequency characteristics (Typ.)



▪ Inductance-Current characteristics (Typ.)



▪ Temperature rise characteristics (Typ.)

