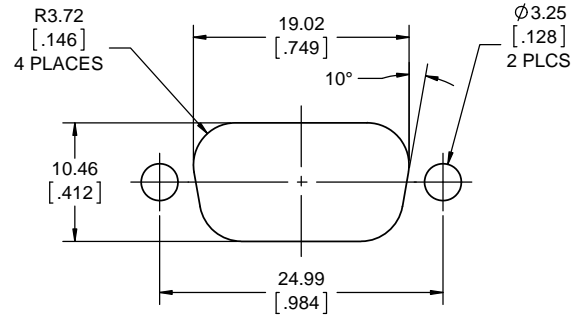
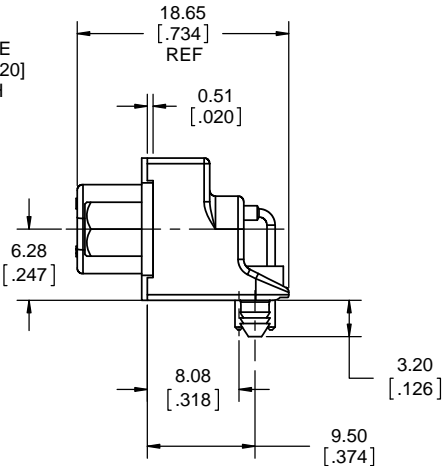
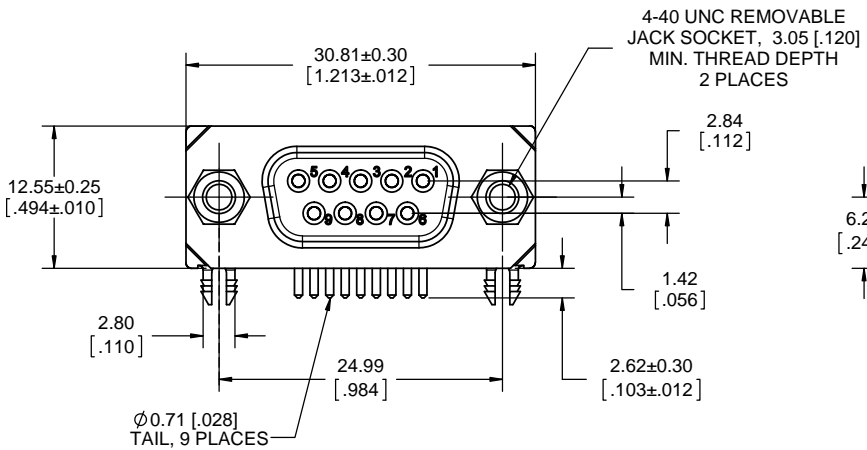
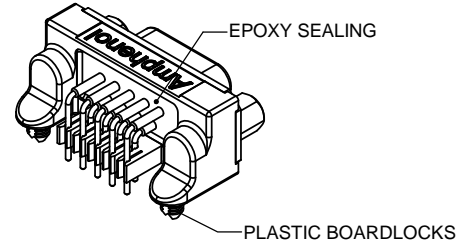
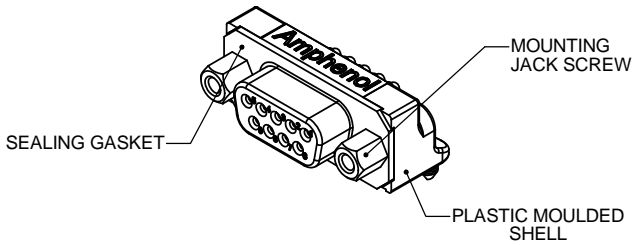
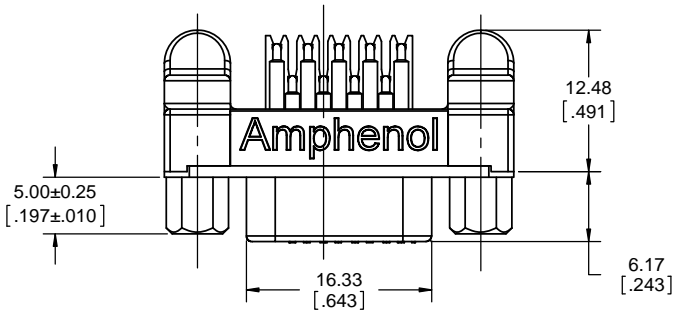
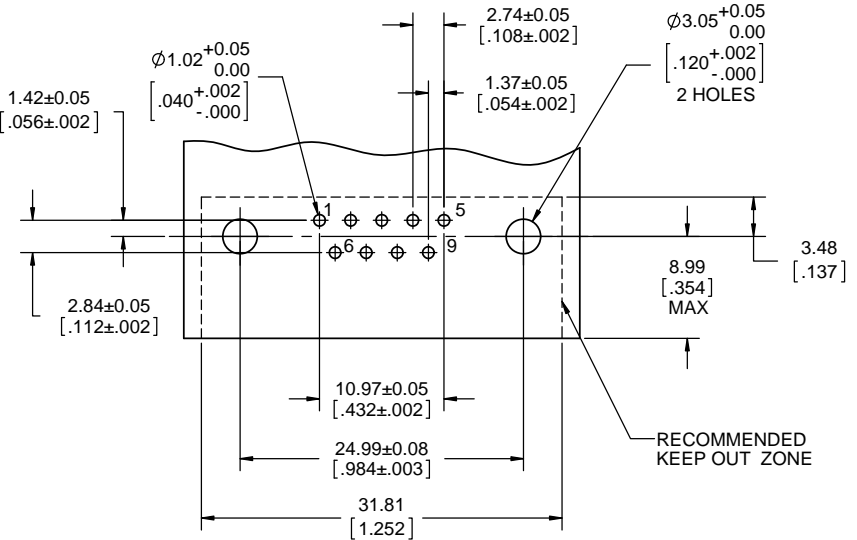


REVISIONS			
REV	DESCRIPTION, ECN, EAR NO.	DATE	APP'D
D	PROPOSAL DRAWING (EAR 13741)	JUL06/10	K.L.
E	PRODUCT DRAWING (EAR 14330)	DEC11/14	K.L.



RECOMMENDED PANEL CUTOUT
INCLUDES CLEARANCE FOR PIN CONNECTOR



RECOMMENDED P.C.B. LAYOUT
COMPONENT SIDE ON BOARD

NOTES:

- MATERIAL:**
ALL MATERIALS ARE RoHS COMPLIANT PER EU DIRECTIVE 2011/65/EU AND AMENDMENTS
 - HOUSING: HIGH STRENGTH THERMOPLASTIC, 94V-0 FLAMMABILITY RATING, BLACK.
 - CONTACTS: MACHINED COPPER ALLOY, PLATED WITH 0.5 µm (20 µ") GOLD OVER 1.27 µm (50 µ") NICKEL
 - GASKET: SILICONE RUBBER BLACK
 - JACK SOCKETS: NICKEL PLATED BRASS
- ENVIRONMENTAL PERFORMANCE PER IEC 60529 CODE IP67 FOR SEAL BETWEEN MATING AREA AND PCB SIDE OF CONNECTOR. GASKET PROVIDES SEAL TO INSIDE FACE OF ENCLOSURE PANEL.**
- CURRENT RATING: 5 AMPERES.**
- CONTACT RESISTANCE: 30 MILLIOHMS MAXIMUM**
- OPERATING TEMPERATURE: -40°C TO +105**

AMPHENOL PART NUMBER: MDB-E09SA-700



UNLESS SPECIFIED OTHERWISE	DRAWN	S.SEMENOV	MAY17/04
PRIMARY UNITS MILLIMETERS	CHECKED		
SECONDARY INCHES	M.E. APP'D		
REFERENCE IN PARENTHESES	Q.A. APP'D		
GENERAL TOLERANCES	DWG APPR.	K.BOUTROS	MAY17/04
1 DECIMAL PLACE	ENG. REL. NO.	ECN E05004	
2 DECIMAL PLACES ±0.15	REF.		
3 DECIMAL PLACES	THIRD ANGLE PROJECTION		
ANGULAR DEGREES	DO NOT SCALE DRAWING		

Amphenol Canada Corp.
www.amphenolcanada.com
MDB RUGGED D-SUB CONNECTOR,
9 SIZE SOCKET, RIGHT ANGLE 8.08 [.318]
FOOTPRINT, PLASTIC SHELL, JACK
SOCKETS, RoHS COMPLIANT

DWG. NO.	REV
P-MDB-E09SA-700	E
CODE ID NO. 03554	DWG SIZE: C
SCALE: 3:1	SHEET 1 OF 1