

## 2.75-W FIXED GAIN MONO FILTER-FREE CLASS-D AUDIO POWER AMPLIFIER

### FEATURES

- Maximize Battery Life and Minimize Heat
  - 0.5- $\mu$ A Shutdown Current
  - 3-mA Quiescent Current
  - High Efficiency Class-D
    - 88% at 400mW at 8 $\Omega$
    - 80% at 100mW at 8 $\Omega$
- Short Circuit Auto-recovery
- Gain of 2 V/V (6dB)
- Only One External Component Required
  - Internal Matched Input Gain and Feedback Resistors for Excellent PSRR and CMRR
  - Optimized PWM Output Stage Eliminates LC Output Filter
  - PSRR (–75 dB) and Wide Supply Voltage (2.5 V to 5.5 V) Eliminates Need for a Dedicated Voltage Regulator
  - Fully Differential Design Reduces RF Rectification and Eliminates Bypass Capacitor
  - CMRR (–69 dB) Eliminates Two Input Coupling Capacitors
- Thermal and Short-Circuit Protection
- Pinout Similar to the TPA2010D1
- Wafer Chip Scale Packaging (WCSP)
  - NanoFree™ (YZF)

### APPLICATIONS

- Wireless Handsets, PDAs, and other mobile devices

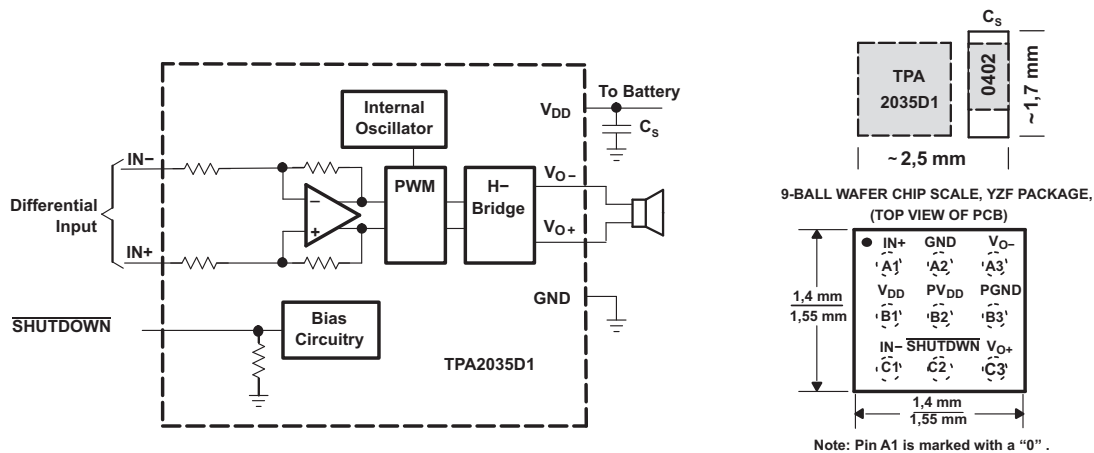
### DESCRIPTION

The TPA2035D1 is a 2.75-W high efficiency filter-free class-D audio power amplifier in an approximately 1.5-mm  $\times$  1.5-mm wafer chip scale package (WCSP) that requires only one external component. The pinout is the same as the TPA2010D1 (SLOS417) except that the external gain setting input resistors required by the TPA2010D1 are integrated into the fixed gain of the TPA2035D1.

Features like –75dB PSRR and improved RF-rectification immunity with a small PCB footprint (WCSP amplifier plus single decoupling cap) make the TPA2035D1 ideal for wireless handsets. A fast start-up time of 3.2 ms with minimal pop makes the TPA2035D1 ideal for PDA applications.

In wireless handsets, the earpiece, speaker phone, and melody ringer can each be driven by the TPA2035D1. The TPA2035D1 has a low 27- $\mu$ V noise floor, A-weighted.

### APPLICATION CIRCUIT





These devices have limited built-in ESD protection. The leads should be shorted together or the device placed in conductive foam during storage or handling to prevent electrostatic damage to the MOS gates.

## ORDERING INFORMATION

T <sub>A</sub>	PACKAGE (YZF) <sup>(1)</sup>	PART NUMBER	SYMBOL
–40°C to 85°C	9 balls, 1.5 mm × 1.5 mm WCSP (0.05/-0.1 mm tolerance)	TPA2035D1YZF <sup>(2)</sup>	CGD

- (1) For the most current package and ordering information, see the Package Option Addendum at the end of this document, or see the TI website at [www.ti.com](http://www.ti.com).
- (2) The YZF package is only available taped and reeled. To order add the suffix *R* to the end of the part number for a reel of 3000, or add the suffix *T* to the end of the part number for a reel of 250 (e.g. TPA2035D1YZFR).

## ABSOLUTE MAXIMUM RATINGS

over operating free-air temperature range unless otherwise noted<sup>(1)</sup>

		TPA2035D1	
V <sub>DD</sub>	Supply voltage	In active mode	–0.3 V to 6 V
		In $\overline{\text{SHUTDOWN}}$ mode	–0.3 V to 7 V
V <sub>I</sub>	Input voltage	–0.3 V to V <sub>DD</sub> + 0.3 V	
Continuous total power dissipation			See Dissipation Rating Table
T <sub>A</sub>	Operating free-air temperature	–40°C to 85°C	
T <sub>J</sub>	Operating junction temperature	–40°C to 125°C	
T <sub>stg</sub>	Storage temperature	–65°C to 150°C	
ESD	Electro-Static Discharge Tolerance - Human Body Model (HBM) for all pins <sup>(2)</sup>	2KV	

- (1) Stresses beyond those listed under *absolute maximum ratings* may cause permanent damage to the device. These are stress ratings only, and functional operation of the device at these or any other conditions beyond those indicated under *recommended operating conditions* is not implied. Exposure to absolute-maximum-rated conditions for extended periods may affect device reliability.
- (2) The output pins Vo– and Vo+ are tolerant to 1.5KV HBM ESD

## RECOMMENDED OPERATING CONDITIONS

		MIN	NOM	MAX	UNIT
V <sub>DD</sub>	Supply voltage	2.5		5.5	V
V <sub>IH</sub>	High-level input voltage	$\overline{\text{SHUTDOWN}}$		V <sub>DD</sub>	V
V <sub>IL</sub>	Low-level input voltage	$\overline{\text{SHUTDOWN}}$		0.35	V
V <sub>IC</sub>	Common mode input voltage range	V <sub>DD</sub> = 2.5 V, 5.5 V		V <sub>DD</sub> –0.8	V
T <sub>A</sub>	Operating free-air temperature	–40		85	°C

## PACKAGE DISSIPATION RATINGS

PACKAGE	DERATING FACTOR (1 / $\theta_{JA}$ )	T <sub>A</sub> ≤ 25°C POWER RATING	T <sub>A</sub> = 70°C POWER RATING	T <sub>A</sub> = 85°C POWER RATING
YZF	4.8 mW/°C <sup>(1)</sup>	480 mW	264 mW	192 mW
YZF	7.5 mW/°C <sup>(2)</sup>	750 mW	412 mW	300 mW

- (1) Derating factor measured with JEDEC Low-K board; 1S0P - One signal layer and zero plane layers.
- (2) Derating factor measured with JEDEC High K board; 1S2P - One signal layer and two plane layers. Please see JEDEC Standard 51-3 for Low-K board, JEDEC Standard 51-7 for High-K board, and JEDEC Standard 51-12 for using package thermal information. Please see JEDEC document page for downloadable copies: <http://www.jedec.org/download/default.cfm>.

**ELECTRICAL CHARACTERISTICS**

T<sub>A</sub> = 25°C (unless otherwise noted)

PARAMETER		TEST CONDITIONS	MIN	TYP	MAX	UNIT
V <sub>OS</sub>	Output offset voltage (measured differentially)	Inputs AC grounded, V <sub>DD</sub> = 2.5 V to 5.5 V		5	25	mV
PSRR	Power supply rejection ratio	V <sub>DD</sub> = 2.5 V to 5.5 V		-75	-61	dB
CMRR	Common mode rejection ratio	V <sub>IC</sub> = 0.5 V to (V <sub>DD</sub> - 0.8 V)	V <sub>DD</sub> = 2.5 V	-69	-52	dB
			V <sub>DD</sub> = 3.6 V	-69	-52	
			V <sub>DD</sub> = 5.5 V	-69	-52	
I <sub>IH</sub>	High-level input current	V <sub>DD</sub> = 5.5 V, V <sub>I</sub> = 5.8 V			50	μA
I <sub>IL</sub>	Low-level input current	V <sub>DD</sub> = 5.5 V, V <sub>I</sub> = -0.3 V			5	μA
I <sub>(Q)</sub>	Quiescent current	V <sub>DD</sub> = 5.5 V, no load		4	5.7	mA
		V <sub>DD</sub> = 3.6 V, no load		3		
		V <sub>DD</sub> = 2.5 V, no load		2.2	3.7	
I <sub>(SD)</sub>	Shutdown current	V <sub>(SHUTDOWN)</sub> = 0.35 V, V <sub>DD</sub> = 2.5 V to 5.5 V		0.5	0.8	μA
r <sub>DS(on)</sub>	Static drain-source on-state resistance	V <sub>DD</sub> = 2.5 V		550		mΩ
		V <sub>DD</sub> = 3.6 V		420		
		V <sub>DD</sub> = 5.0 V		350		
	Output impedance in SHUTDOWN	V <sub>(SHUTDOWN)</sub> ≤ 0.35 V		2		kΩ
f <sub>(sw)</sub>	Switching frequency	V <sub>DD</sub> = 2.5 V to 5.5 V	240	300	400	kHz
Gain		V <sub>DD</sub> = 2.5 V to 5.5 V	5.5	6	6.5	dB
R <sub>PD</sub>	Resistance of internal pulldown resistor from shutdown pin to GND			300		kΩ

**OPERATING CHARACTERISTICS**

T<sub>A</sub> = 25°C, R<sub>L</sub> = 8 Ω (unless otherwise noted)

PARAMETER		TEST CONDITIONS	MIN	TYP	MAX	UNIT
P <sub>O</sub>	Output power	R <sub>L</sub> = 4 Ω, THD + N = 10%, f = 1 kHz	V <sub>DD</sub> = 5 V	2.75		W
			V <sub>DD</sub> = 3.6 V	1.35		
			V <sub>DD</sub> = 2.5 V	0.59		
		R <sub>L</sub> = 4 Ω, THD + N = 1%, f = 1 kHz	V <sub>DD</sub> = 5 V	2.25		W
			V <sub>DD</sub> = 3.6 V	1.12		
			V <sub>DD</sub> = 2.5 V	0.48		
		R <sub>L</sub> = 8 Ω, THD + N = 10%, f = 1 kHz	V <sub>DD</sub> = 5 V	1.68		W
			V <sub>DD</sub> = 3.6 V	0.85		
			V <sub>DD</sub> = 2.5 V	0.38		
		R <sub>L</sub> = 8 Ω, THD + N = 1%, f = 1 kHz	V <sub>DD</sub> = 5 V	1.37		W
			V <sub>DD</sub> = 3.6 V	0.68		
			V <sub>DD</sub> = 2.5 V	0.31		
THD+N	Total harmonic distortion plus noise	V <sub>DD</sub> = 5 V, P <sub>O</sub> = 1 W, R <sub>L</sub> = 8 Ω, f = 1 kHz		0.18%		
		V <sub>DD</sub> = 3.6 V, P <sub>O</sub> = 0.5 W, R <sub>L</sub> = 8 Ω, f = 1 kHz		0.11%		
		V <sub>DD</sub> = 2.5 V, P <sub>O</sub> = 200 mW, R <sub>L</sub> = 8 Ω, f = 1 kHz		0.10%		
k <sub>SVR</sub>	Supply ripple rejection ratio	V <sub>DD</sub> = 3.6 V, Inputs AC grounded with C <sub>I</sub> = 1 μF	f = 217 Hz, V <sub>(RIPPLE)</sub> = 200 mV <sub>pp</sub>	-73		dB
SNR	Signal-to-noise ratio	V <sub>DD</sub> = 5 V, P <sub>O</sub> = 1 W, R <sub>L</sub> = 8 Ω, A weighted noise		100		dB
V <sub>n</sub>	Output voltage noise	V <sub>DD</sub> = 3.6 V, f = 20 Hz to 20 kHz, Inputs AC grounded with C <sub>I</sub> = 1 μF	No weighting	35		μV <sub>RMS</sub>
			A weighting	27		
CMRR	Common mode rejection ratio	V <sub>DD</sub> = 3.6 V, V <sub>IC</sub> = 1 V <sub>pp</sub> , V <sub>Cm</sub> = 1.8 V	f = 217 Hz	-69		dB

**OPERATING CHARACTERISTICS (continued)**

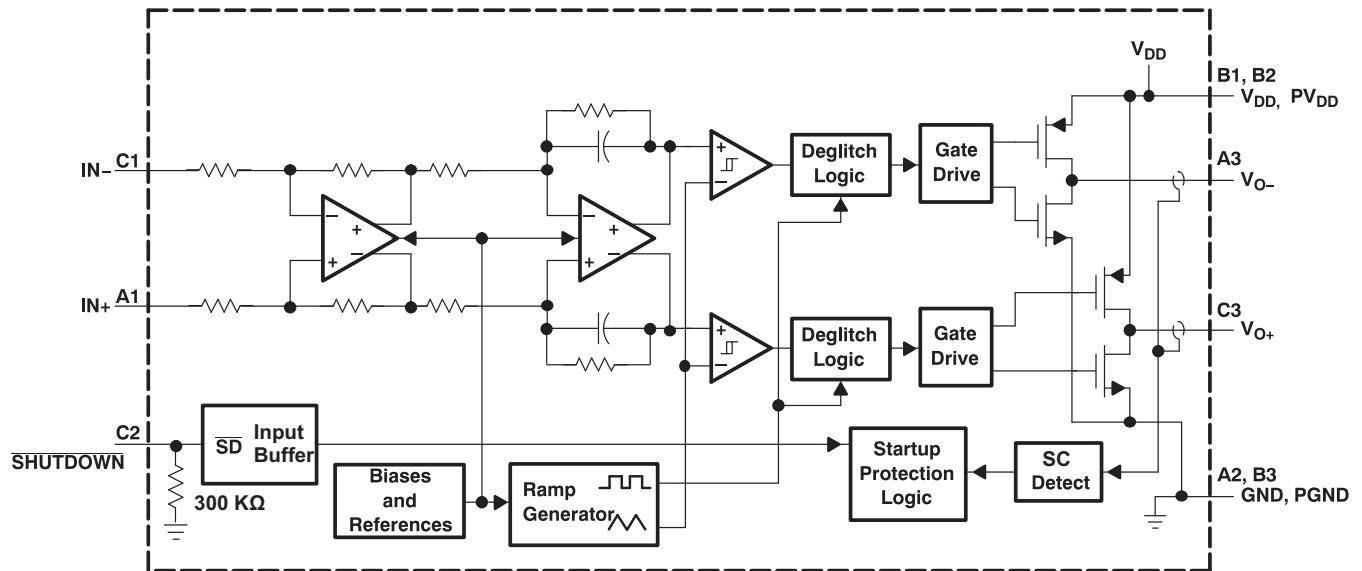
T<sub>A</sub> = 25°C, R<sub>L</sub> = 8 Ω (unless otherwise noted)

PARAMETER	TEST CONDITIONS	MIN	TYP	MAX	UNIT
R <sub>I</sub>	Input impedance	A <sub>V</sub> = 2 V/V			kΩ
	Start-up time from shutdown	V <sub>DD</sub> = 3.6 V			ms
	Short circuit detection threshold	V <sub>DD</sub> = 3.6 V			A

**Terminal Functions**

TERMINAL		I/O	DESCRIPTION
NAME	YZF		
IN-	C1	I	Negative differential audio input
IN+	A1	I	Positive differential audio input
V <sub>O-</sub>	A3	O	Negative BTL audio output
V <sub>O+</sub>	C3	O	Positive BTL audio output
GND	A2	I	Analog ground terminal. Must be connected to same potential as PGND using a direct connection to a single point ground.
PGND	B3		High-current Analog ground terminal. Must be connected to same potential as GND using a direct connection to a single point ground.
V <sub>DD</sub>	B1	I	Power supply terminal. Must be connected to same power supply as PV <sub>DD</sub> using a direct connection. Voltage must be within values listed in Recommended Operating Conditions table.
PV <sub>DD</sub>	B2	I	High-current Power supply terminal. Must be connected to same power supply as V <sub>DD</sub> using a direct connection. Voltage must be within values listed in Recommended Operating Conditions table.
SHUTDOWN	C2	I	Shutdown terminal. When terminal is low the device is put into Shutdown mode.

**FUNCTIONAL BLOCK DIAGRAM**

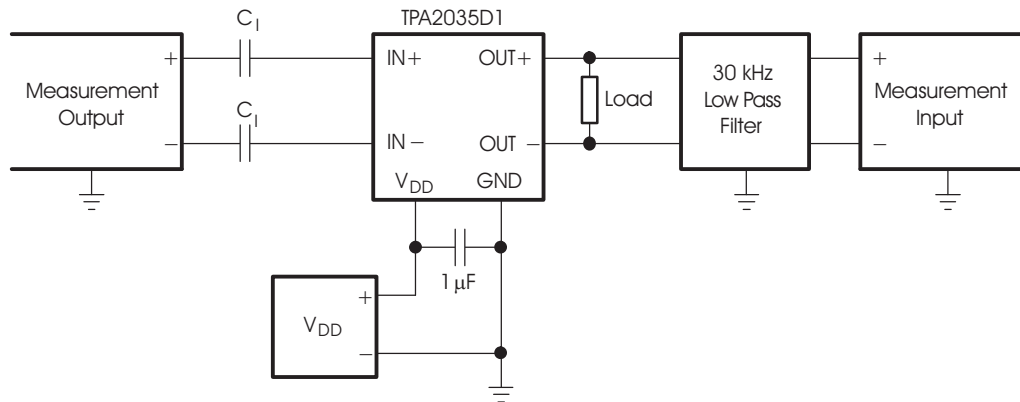


TYPICAL CHARACTERISTICS

TABLE OF GRAPHS

			FIGURE
Efficiency		vs Output power	1, 2
$P_D$	Power dissipation	vs Output power	3, 4
	Supply current	vs Output power	5, 6
$I_{DD}$	Supply current	vs Supply voltage	7
$I_{(SD)}$	Shutdown current	vs Shutdown voltage	8
$P_O$	Output power	vs Load resistance	9, 10
		vs Supply voltage	11
THD+N	Total harmonic distortion plus noise	vs Output power	12, 13
		vs Frequency	14, 15, 16, 17
		vs Common-mode input voltage	18
$K_{SVR}$	Supply voltage rejection ratio	vs Frequency	19, 20, 21, 22, 23, 24, 25, 26, 27
	GSM power supply rejection	vs Time	28
		vs Frequency	29
$K_{SVR}$	Supply voltage rejection ratio	vs Common-mode input voltage	30, 31, 32
CMRR	Common-mode rejection ratio	vs Frequency	33
		vs Common-mode input voltage	34

TEST SET-UP FOR GRAPHS



- (1)  $C_1$  was shorted for any common-mode input voltage measurement. All other measurements were taken with a 1- $\mu$ F  $C_1$  (unless otherwise noted).
- (2) A 33- $\mu$ H inductor was placed in series with the load resistor to emulate a small speaker for efficiency measurements.
- (3) The 30-kHz low-pass filter is required, even if the analyzer has an internal low-pass filter. An RC low-pass filter (100 $\Omega$ , 47-nF) is used on each output for the data sheet graphs.

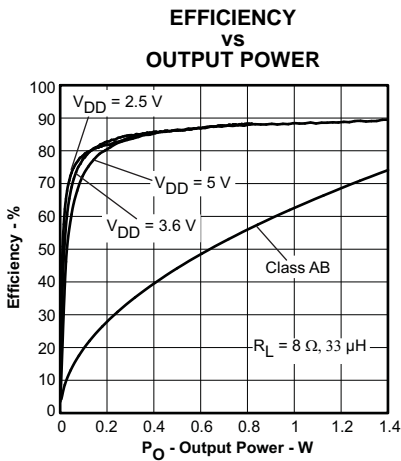


Figure 1.

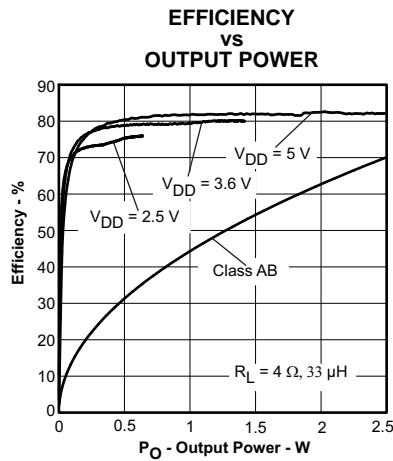


Figure 2.

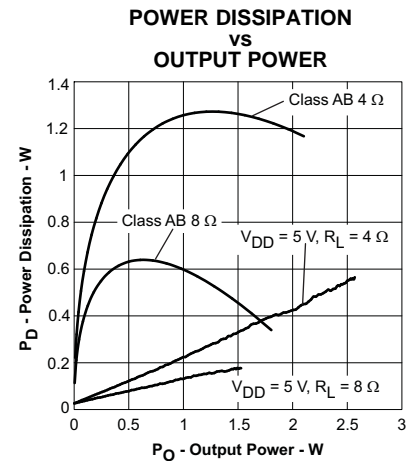


Figure 3.

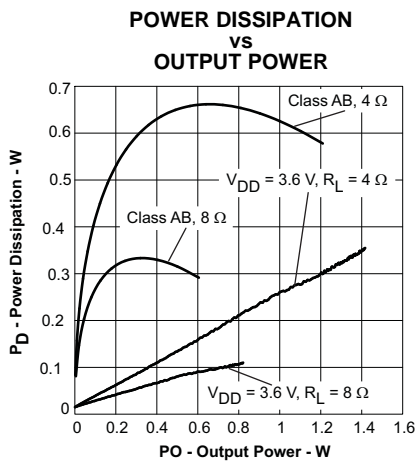


Figure 4.

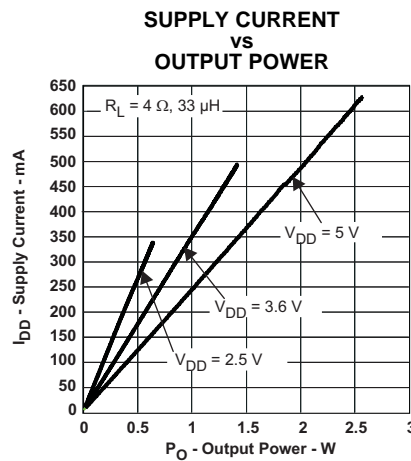


Figure 5.

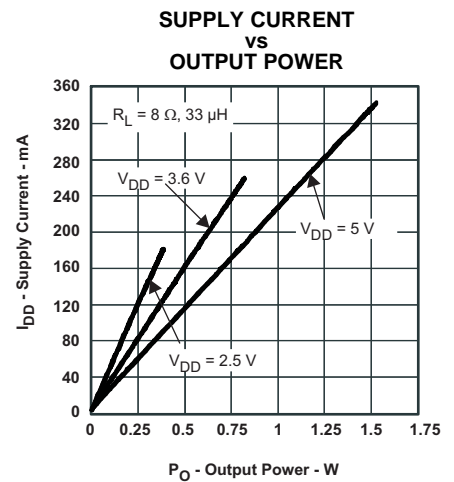


Figure 6.

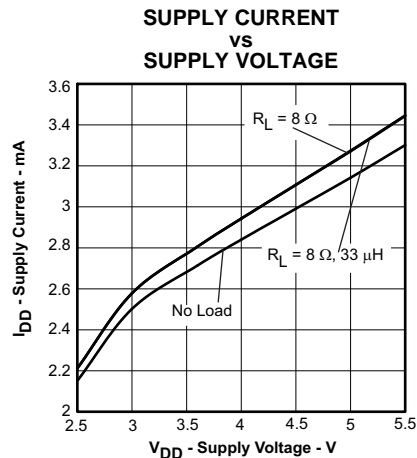


Figure 7.

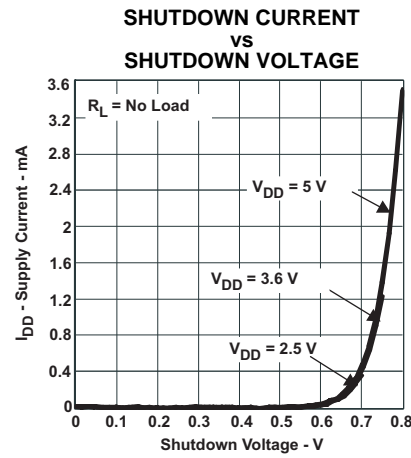


Figure 8.

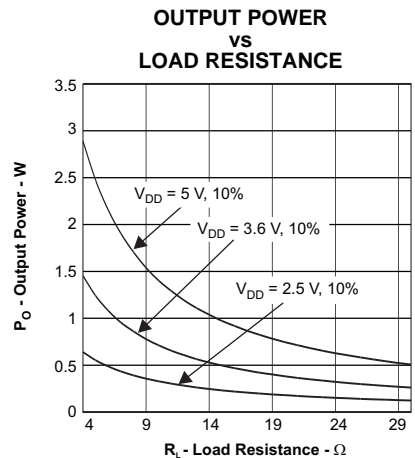


Figure 9.

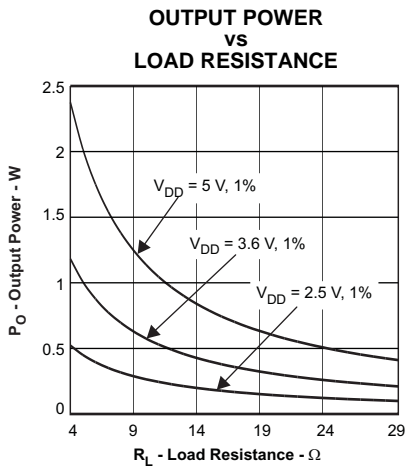


Figure 10.

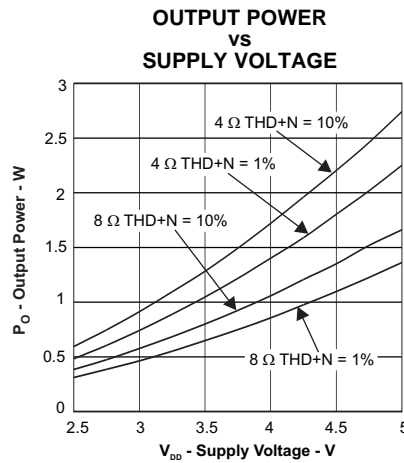


Figure 11.

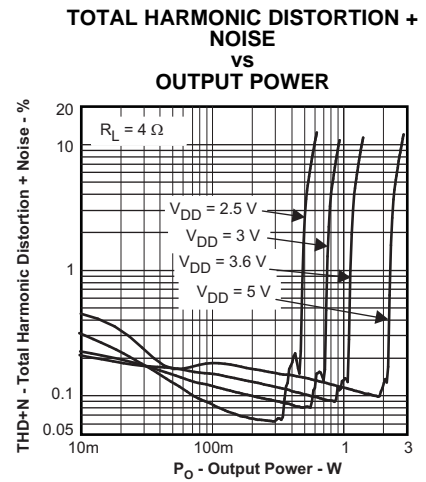


Figure 12.

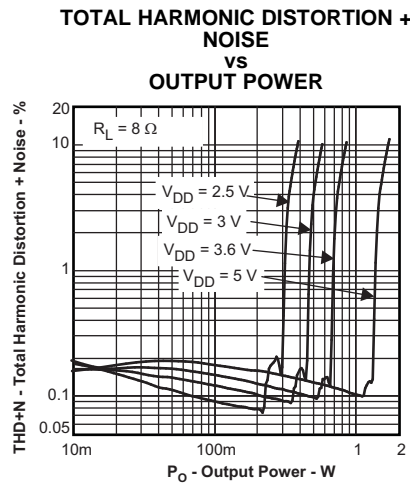


Figure 13.

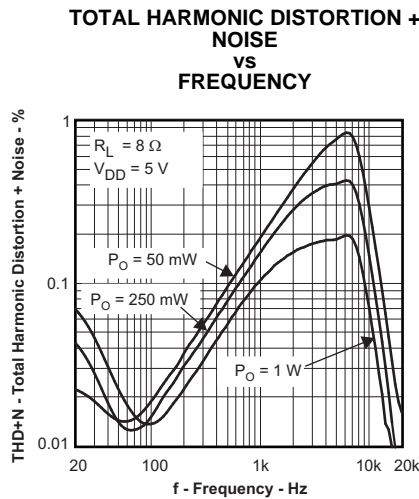


Figure 14.

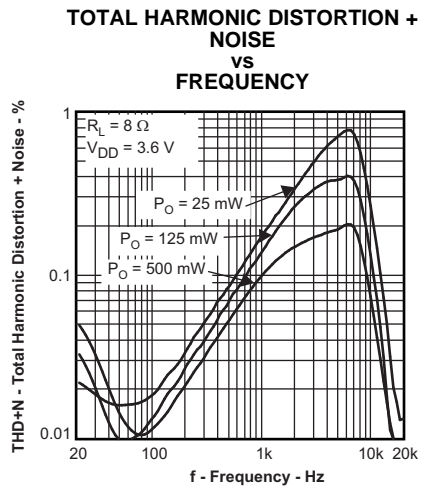


Figure 15.

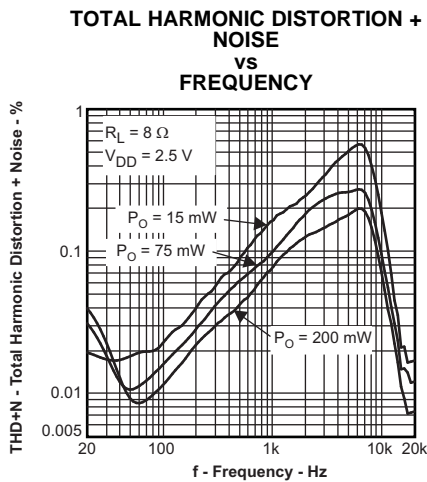


Figure 16.

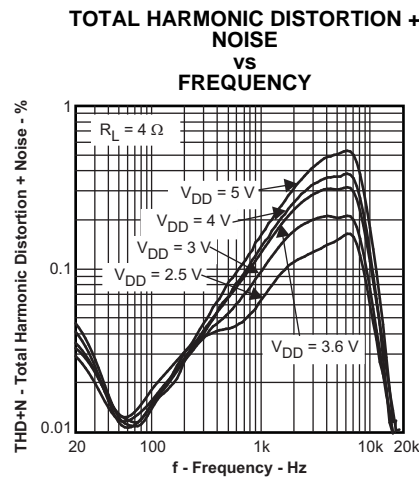


Figure 17.

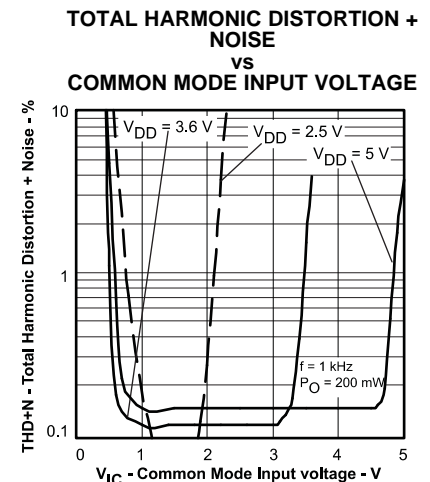


Figure 18.

**SUPPLY RIPPLE REJECTION RATIO  
VS  
FREQUENCY**

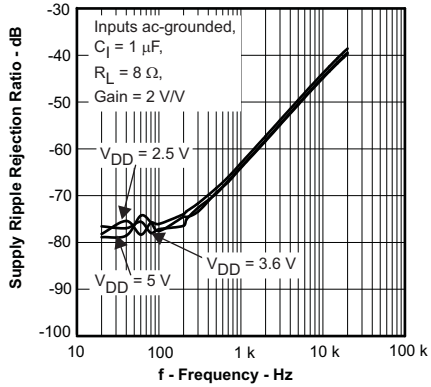


Figure 19.

**SUPPLY RIPPLE REJECTION RATIO  
VS  
FREQUENCY**

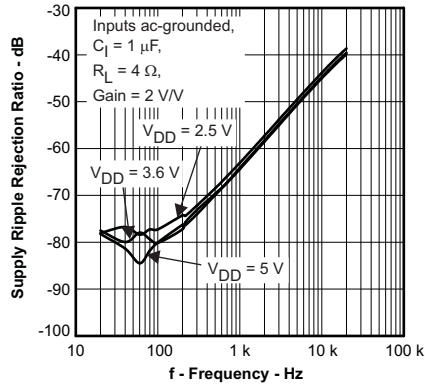


Figure 20.

**SUPPLY RIPPLE REJECTION RATIO  
VS  
FREQUENCY**

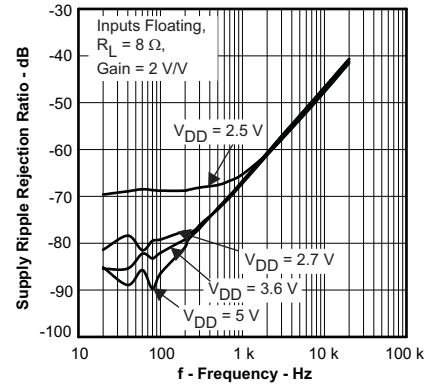


Figure 21.

**GSM POWER SUPPLY REJECTION  
VS  
TIME**

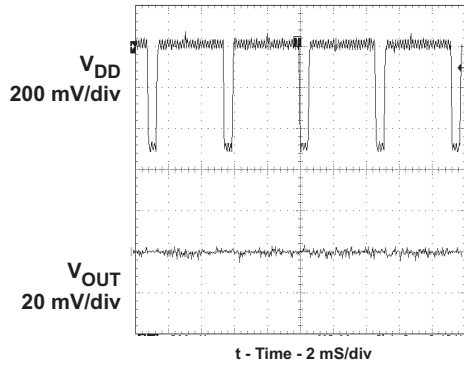


Figure 22.

**GSM POWER SUPPLY REJECTION  
VS  
FREQUENCY**

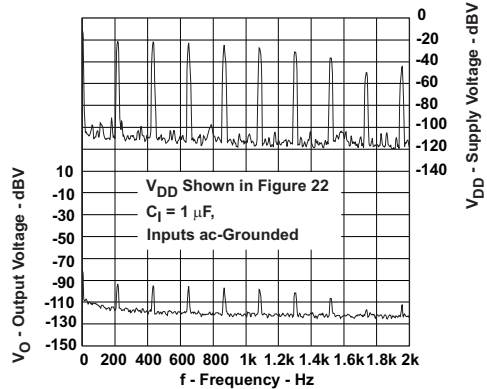


Figure 23.

**SUPPLY RIPPLE REJECTION RATIO  
VS  
DC COMMON MODE VOLTAGE**

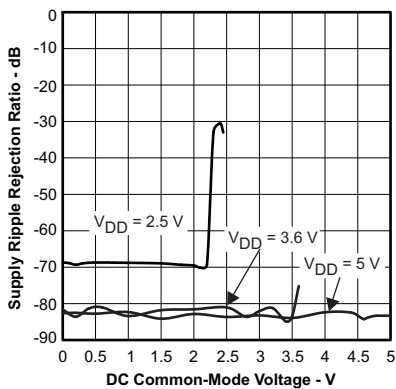


Figure 24.

**SUPPLY RIPPLE REJECTION RATIO  
VS  
DC COMMON MODE VOLTAGE**

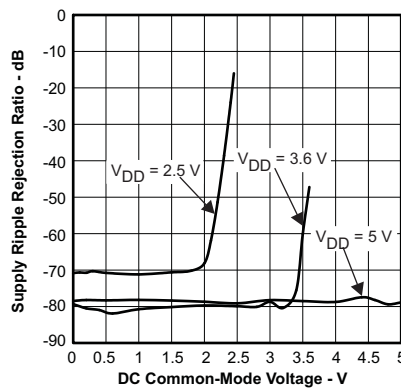


Figure 25.

**SUPPLY RIPPLE REJECTION RATIO  
VS  
DC COMMON MODE VOLTAGE**

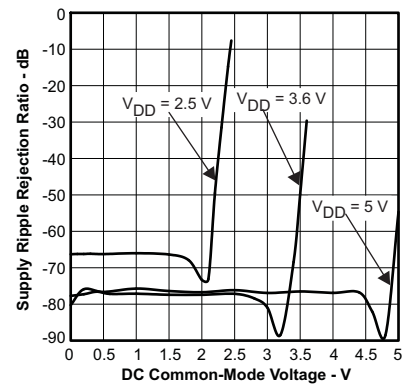


Figure 26.

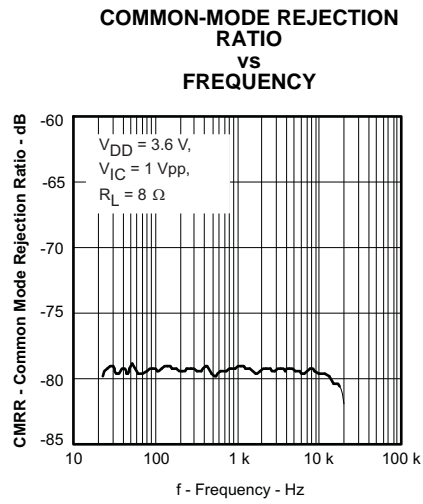


Figure 27.

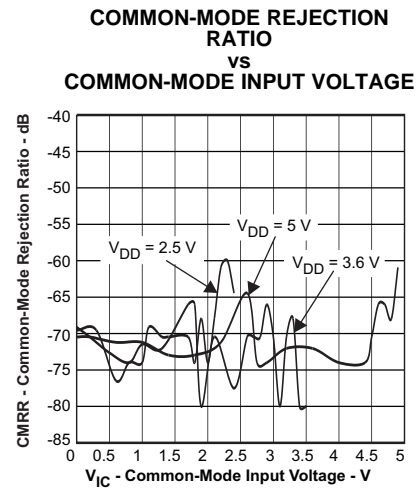


Figure 28.

## APPLICATION INFORMATION

### FULLY DIFFERENTIAL AMPLIFIER

The device is a fully differential amplifier with differential inputs and outputs. The fully differential amplifier consists of a differential amplifier and a common-mode amplifier. The differential amplifier ensures that the amplifier outputs a differential voltage on the output that is equal to the differential input times the gain. The common-mode feedback specifies that the common-mode voltage at the output is biased around  $V_{DD}/2$  regardless of the common-mode voltage at the input. The fully differential TPA2035D1 can still be used with a single-ended input; however, the TPA2035D1 should be used with differential inputs when in a noisy environment, like a wireless handset, to ensure maximum noise rejection.

#### Advantages of Fully Differential Amplifiers

- Input-coupling capacitors not required:
  - The fully differential amplifier allows the inputs to be biased at voltage other than mid-supply. The inputs of the TPA2035D1 can be biased anywhere within the common mode input voltage range listed in the Recommended Operating Conditions table. If the inputs are biased outside of that range, input-coupling capacitors are required.
- Midsupply bypass capacitor,  $C_{(BYPASS)}$ , not required:
  - The fully differential amplifier does not require a bypass capacitor. Any shift in the midsupply affects both positive and negative channels equally and cancels at the differential output.
- Better RF-immunity:
  - GSM handsets save power by turning on and shutting off the RF transmitter at a rate of 217 Hz. The transmitted signal is picked-up on input and output traces. The fully differential amplifier cancels the signal better than the typical audio amplifier.

### SHORT CIRCUIT AUTO-RECOVERY

When a short circuit event happens, the TPA2035D1 goes to shutdown mode and tries to reactivate itself after 20  $\mu$ s. This auto-recovery will continue until the short circuit event stops. This feature can protect the device without affecting the device's long term reliability.

### COMPONENT SELECTION

[Figure 29](#) shows the TPA2035D1 typical schematic with differential inputs, while [Figure 30](#) shows the TPA2035D1 with differential inputs and input capacitors. [Figure 31](#) shows the TPA2035D1 with a single-ended input.

#### Decoupling Capacitor ( $C_S$ )

The TPA2035D1 is a high-performance class-D audio amplifier that requires adequate power supply decoupling to ensure the efficiency is high and total harmonic distortion (THD) is low. For higher frequency transients, spikes, or digital hash on the line, a good low equivalent-series-resistance (ESR) ceramic capacitor, typically 1 $\mu$ F, placed as close as possible to the device  $V_{DD}$  lead works best. Placing this decoupling capacitor close to the TPA2035D1 is important for the efficiency of the class-D amplifier, because any resistance or inductance in the trace between the device and the capacitor can cause a loss in efficiency. For filtering lower-frequency noise signals, a 10  $\mu$ F or greater capacitor placed near the audio power amplifier would also help, but it is not required in most applications because of the high PSRR of this device. Typically, the smaller the capacitor's case size, the lower the inductance and the closer it can be placed to the TPA2035D1.

#### Input Capacitors ( $C_I$ )

The TPA2035D1 does not require input coupling capacitors if the design uses a differential source that is biased within the common-mode input voltage range. That voltage range is listed in the Recommended Operating Conditions table. If the input signal is not biased within the recommended common-mode input range, such as in needing to use the input as a high pass filter, shown in [Figure 30](#), or if using a single-ended source, shown in [Figure 31](#), input coupling capacitors are required. The same value capacitors should be used on both IN+ and IN– for best pop performance.

$$f_c = \frac{1}{(2\pi R_I C_I)} \tag{1}$$

The value of the input capacitor is important to consider as it directly affects the bass (low frequency) performance of the circuit. Speaker response may also be taken into consideration when setting the corner frequency using input capacitors.

Equation 2 is reconfigured to solve for the input coupling capacitance.

$$C_I = \frac{1}{(2\pi R_I f_c)} \tag{2}$$

If the corner frequency is within the audio band, the capacitors should have a tolerance of ±10% or better, because any mismatch in capacitance causes an impedance mismatch at the corner frequency and below.

For a flat low-frequency response, use large input coupling capacitors (1 μF or larger).

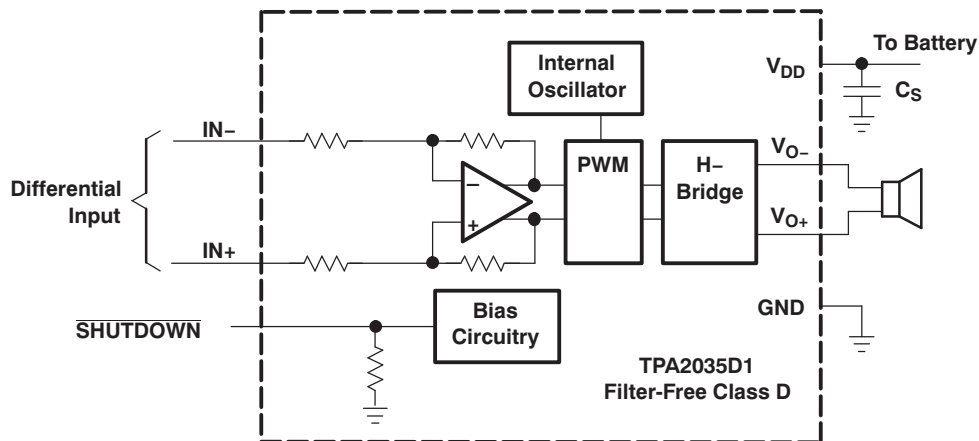


Figure 29. Typical TPA2035D1 Application Schematic With Differential Input for a Wireless Phone

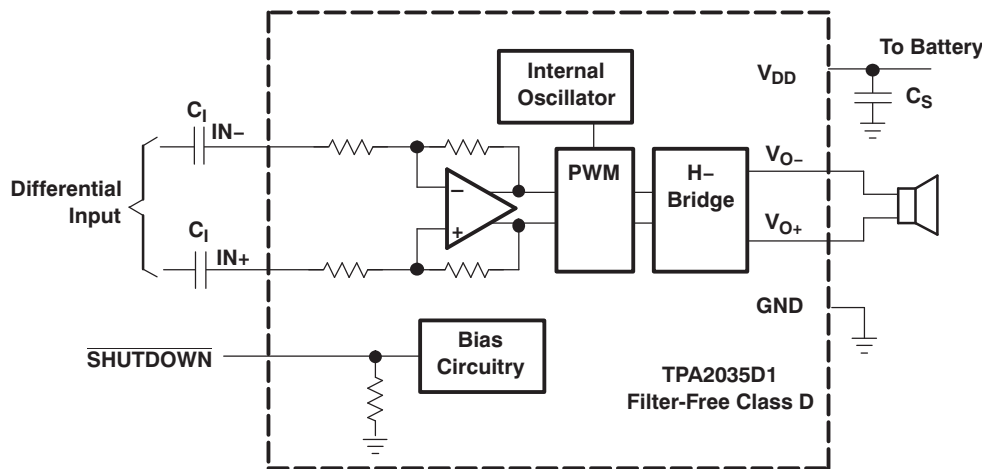


Figure 30. TPA2035D1 Application Schematic With Differential Input and Input Capacitors

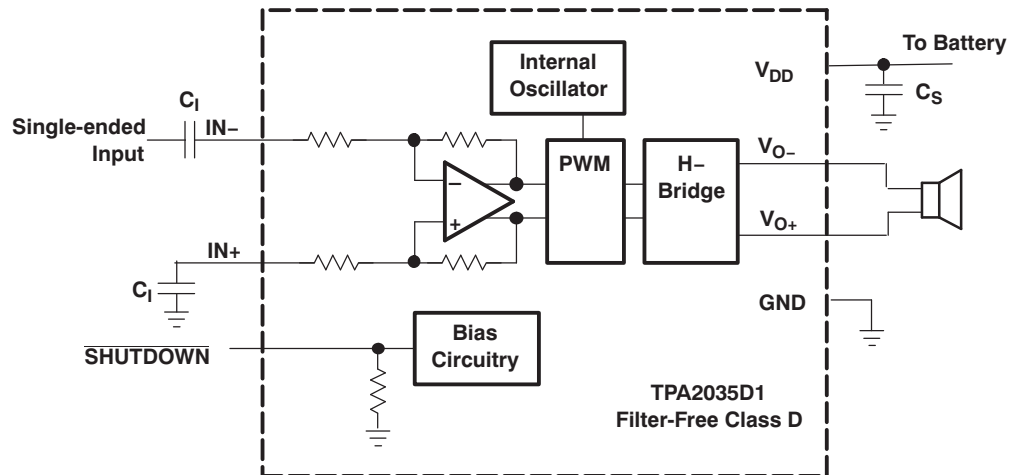


Figure 31. TPA2035D1 Application Schematic With Single-Ended Input

**BOARD LAYOUT**

In making the pad size for the WCSP balls, it is recommended that the layout use nonsolder mask defined (NSMD) land. With this method, the solder mask opening is made larger than the desired land area, and the opening size is defined by the copper pad width. Figure 32 and Table 1 show the appropriate diameters for a WCSP layout. The TPA2035D1 evaluation module (EVM) layout is shown in the next section as a layout example.

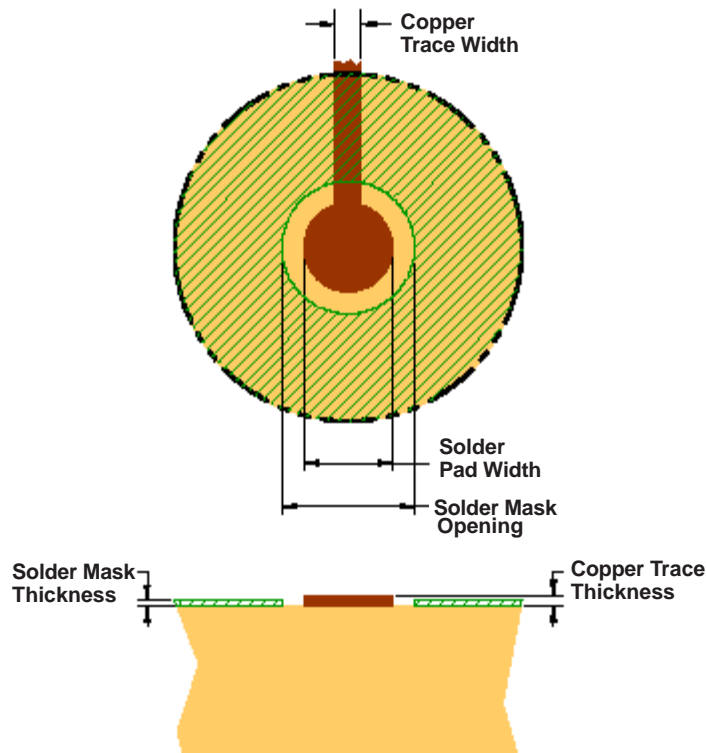


Figure 32. Land Pattern Dimensions

Table 1. Land Pattern Dimensions

SOLDER PAD DEFINITIONS	COPPER PAD	SOLDER MASK OPENING	COPPER THICKNESS	STENCIL OPENING	STENCIL THICKNESS
Nonsolder mask defined (NSMD)	275 $\mu\text{m}$ (0.0, -25 $\mu\text{m}$ )	375 $\mu\text{m}$ (0.0, -25 $\mu\text{m}$ )	1 oz max (32 $\mu\text{m}$ )	275 $\mu\text{m}$ x 275 $\mu\text{m}$ Sq. (rounded corners)	125 $\mu\text{m}$ thick

**NOTES:**

1. Circuit traces from NSMD defined PWB lands should be 75  $\mu\text{m}$  to 100  $\mu\text{m}$  wide in the exposed area inside the solder mask opening. Wider trace widths reduce device stand off and impact reliability.
2. Recommended solder paste is Type 3 or Type 4.
3. Best reliability results are achieved when the PWB laminate glass transition temperature is above the operating range of the intended application.
4. For a PWB using a Ni/Au surface finish, the gold thickness should be less 0.5  $\mu\text{m}$  to avoid a reduction in thermal fatigue performance.
5. Solder mask thickness should be less than 20  $\mu\text{m}$  on top of the copper circuit pattern.
6. Best solder stencil performance is achieved using laser-cut stencils with electro polishing. Use of chemically etched stencils results in inferior solder paste volume control.
7. Trace routing away from WCSP device should be balanced in X and Y directions to avoid unintentional component movement due to solder wetting forces.

**Component Location**

Place all the external components very close to the TPA2035D1. Placing the decoupling capacitor,  $C_S$ , close to the TPA2035D1 is important for the efficiency of the class-D amplifier. Any resistance or inductance in the trace between the device and the capacitor can cause a loss in efficiency.

**Trace Width**

Recommended trace width at the solder balls is 75  $\mu\text{m}$  to 100  $\mu\text{m}$  to prevent solder wicking onto wider PCB traces. [Figure 33](#) shows the layout of the TPA2035D1 evaluation module (EVM).

For high current pins ( $V_{DD}$ , GND  $V_{O+}$ , and  $V_{O-}$ ) of the TPA2035D1, use 100- $\mu\text{m}$  trace widths at the solder balls and at least 500- $\mu\text{m}$  PCB traces to ensure proper performance and output power for the device.

For input pins (IN-, IN+, and SHUTDOWN) of the TPA2035D1, use 75- $\mu\text{m}$  to 100- $\mu\text{m}$  trace widths at the solder balls. IN- and IN+ traces need to run side-by-side to maximize common-mode noise cancellation.

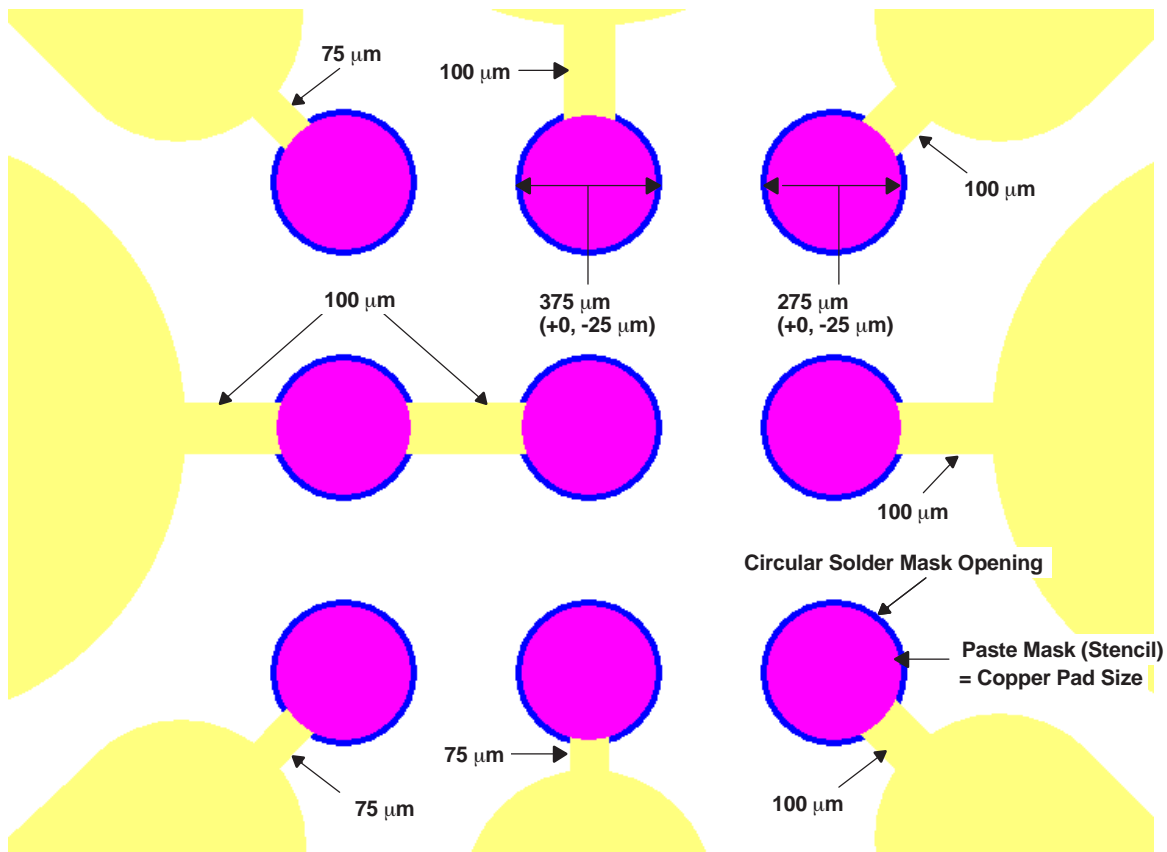


Figure 33. Close Up of TPA2035D1 Land Pattern

### EFFICIENCY AND THERMAL INFORMATION

The maximum ambient temperature depends on the heat-sinking ability of the PCB system. The derating factor for the YZF package is shown in the dissipation rating table. Converting this to  $\theta_{JA}$ :

$$\theta_{JA} = \frac{1}{\text{Derating Factor}} \tag{3}$$

Given  $\theta_{JA}$  (from the Package Dissipation ratings table), the maximum allowable junction temperature (from the Absolute Maximum ratings table), and the maximum internal dissipation (from Power Dissipation vs Output Power figures) the maximum ambient temperature can be calculated with the following equation. Note that the units on these figures are Watts RMS. Because of crest factor (ratio of peak power to RMS power) from 9–15 dB, thermal limitations are not usually encountered.

$$T_{A\text{Max}} = T_{J\text{Max}} - \theta_{JA} P_{D\text{max}} \tag{4}$$

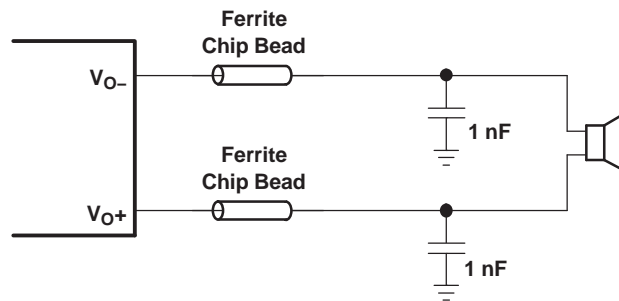
The TPA2035D1 is designed with thermal protection that turns the device off when the junction temperature surpasses 150°C to prevent damage to the IC. Note that using speakers more resistive than 4-Ω dramatically increases the thermal performance by reducing the output current and increasing the efficiency of the amplifier.  $\theta_{JA}$  is a gross approximation of the complex thermal transfer mechanisms between the device and its ambient environment. If the  $\theta_{JA}$  calculation reveals a potential problem, a more accurate estimate should be made.

## WHEN TO USE AN OUTPUT FILTER

Design the TPA2035D1 without an output filter if the traces from the amplifier to the speaker are short. Wireless handsets and PDAs are great applications for this class-D amplifier to be used without an output filter.

The TPA2035D1 passed FCC- and CE-radiated emissions testing with no shielding with speaker trace wires 100 mm long or less. For longer speaker trace wires, a ferrite bead can often be used in the design if failing radiated emissions testing without an LC filter; and, the frequency-sensitive circuit is greater than 1 MHz. If choosing a ferrite bead, choose one with high impedance at high frequencies, but very low impedance at low frequencies. The selection must also take into account the currents flowing through the ferrite bead. Ferrites can begin to lose effectiveness at much lower than rated current values. See the EVM User's Guide ([SLOU237](#)) for components used successfully by TI.

[Figure 34](#) shows a typical ferrite-bead output filter.



**Figure 34. Typical Ferrite Chip Bead Filter**

## PACKAGING INFORMATION

Orderable Device	Status (1)	Package Type	Package Drawing	Pins	Package Qty	Eco Plan (2)	Lead/Ball Finish	MSL Peak Temp (3)	Op Temp (°C)	Top-Side Markings (4)	Samples
TPA2035D1YZFR	ACTIVE	DSBGA	YZF	9	3000	Green (RoHS & no Sb/Br)	SNAGCU	Level-1-260C-UNLIM	-40 to 125	CGD	<a href="#">Samples</a>
TPA2035D1YZFT	ACTIVE	DSBGA	YZF	9	250	Green (RoHS & no Sb/Br)	SNAGCU	Level-1-260C-UNLIM	-40 to 125	CGD	<a href="#">Samples</a>

(1) The marketing status values are defined as follows:

**ACTIVE:** Product device recommended for new designs.

**LIFEBUY:** TI has announced that the device will be discontinued, and a lifetime-buy period is in effect.

**NRND:** Not recommended for new designs. Device is in production to support existing customers, but TI does not recommend using this part in a new design.

**PREVIEW:** Device has been announced but is not in production. Samples may or may not be available.

**OBSELETE:** TI has discontinued the production of the device.

(2) Eco Plan - The planned eco-friendly classification: Pb-Free (RoHS), Pb-Free (RoHS Exempt), or Green (RoHS & no Sb/Br) - please check <http://www.ti.com/productcontent> for the latest availability information and additional product content details.

**TBD:** The Pb-Free/Green conversion plan has not been defined.

**Pb-Free (RoHS):** TI's terms "Lead-Free" or "Pb-Free" mean semiconductor products that are compatible with the current RoHS requirements for all 6 substances, including the requirement that lead not exceed 0.1% by weight in homogeneous materials. Where designed to be soldered at high temperatures, TI Pb-Free products are suitable for use in specified lead-free processes.

**Pb-Free (RoHS Exempt):** This component has a RoHS exemption for either 1) lead-based flip-chip solder bumps used between the die and package, or 2) lead-based die adhesive used between the die and leadframe. The component is otherwise considered Pb-Free (RoHS compatible) as defined above.

**Green (RoHS & no Sb/Br):** TI defines "Green" to mean Pb-Free (RoHS compatible), and free of Bromine (Br) and Antimony (Sb) based flame retardants (Br or Sb do not exceed 0.1% by weight in homogeneous material)

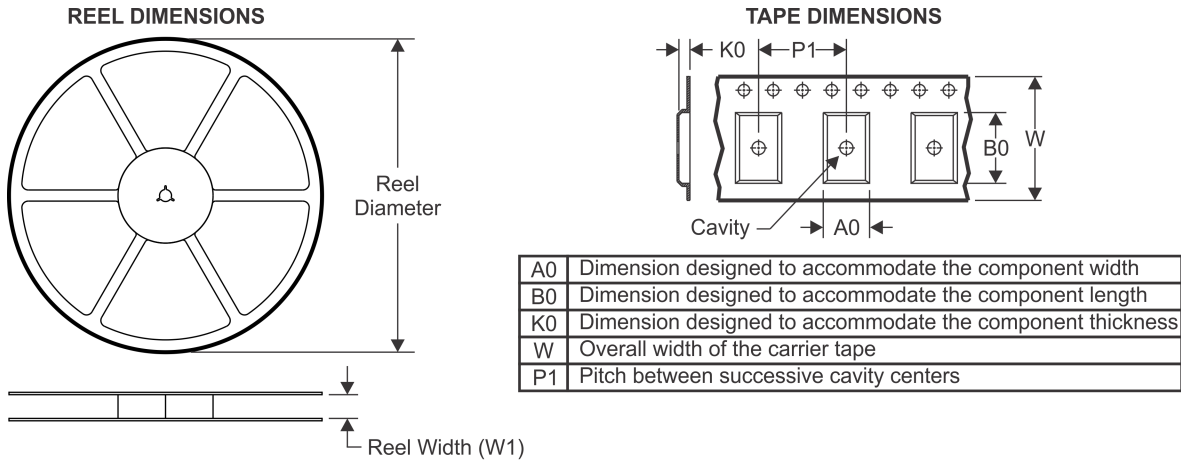
(3) MSL, Peak Temp. -- The Moisture Sensitivity Level rating according to the JEDEC industry standard classifications, and peak solder temperature.

(4) Multiple Top-Side Markings will be inside parentheses. Only one Top-Side Marking contained in parentheses and separated by a "~" will appear on a device. If a line is indented then it is a continuation of the previous line and the two combined represent the entire Top-Side Marking for that device.

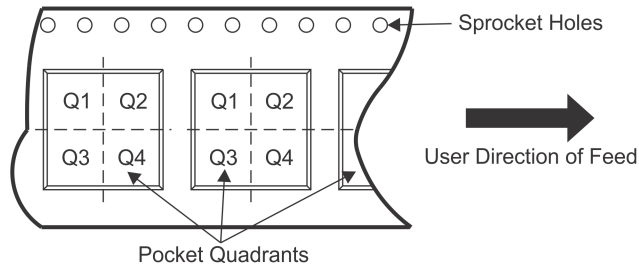
**Important Information and Disclaimer:** The information provided on this page represents TI's knowledge and belief as of the date that it is provided. TI bases its knowledge and belief on information provided by third parties, and makes no representation or warranty as to the accuracy of such information. Efforts are underway to better integrate information from third parties. TI has taken and continues to take reasonable steps to provide representative and accurate information but may not have conducted destructive testing or chemical analysis on incoming materials and chemicals. TI and TI suppliers consider certain information to be proprietary, and thus CAS numbers and other limited information may not be available for release.

In no event shall TI's liability arising out of such information exceed the total purchase price of the TI part(s) at issue in this document sold by TI to Customer on an annual basis.

## TAPE AND REEL INFORMATION



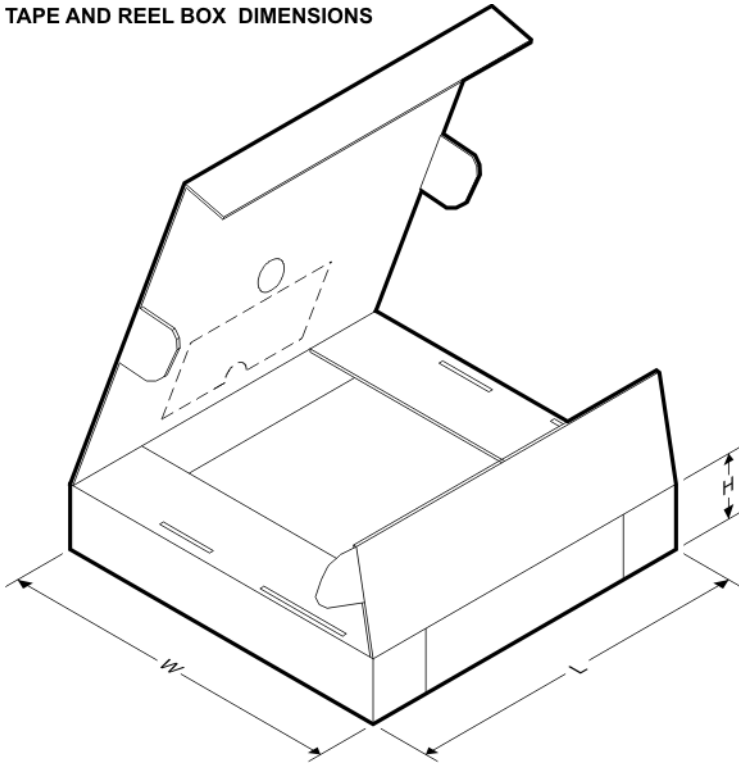
### QUADRANT ASSIGNMENTS FOR PIN 1 ORIENTATION IN TAPE



\*All dimensions are nominal

Device	Package Type	Package Drawing	Pins	SPQ	Reel Diameter (mm)	Reel Width W1 (mm)	A0 (mm)	B0 (mm)	K0 (mm)	P1 (mm)	W (mm)	Pin1 Quadrant
TPA2035D1YZFR	DSBGA	YZF	9	3000	180.0	8.4	1.65	1.65	0.81	4.0	8.0	Q1
TPA2035D1YZFT	DSBGA	YZF	9	250	180.0	8.4	1.65	1.65	0.81	4.0	8.0	Q1

## TAPE AND REEL BOX DIMENSIONS

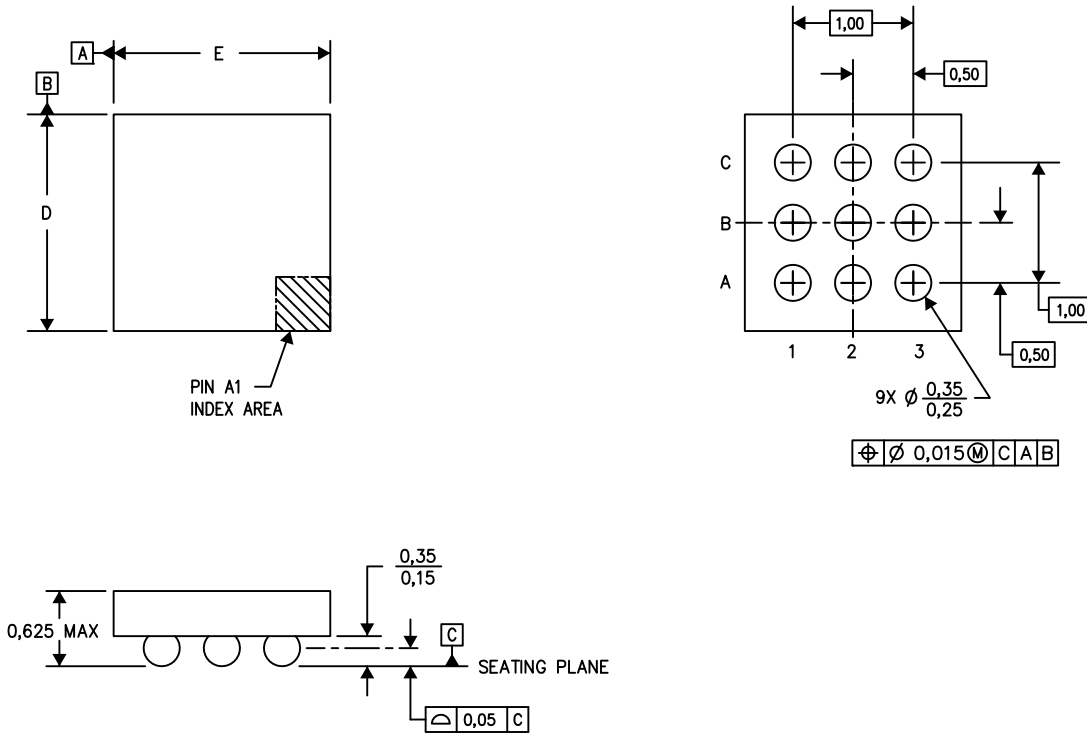


\*All dimensions are nominal

Device	Package Type	Package Drawing	Pins	SPQ	Length (mm)	Width (mm)	Height (mm)
TPA2035D1YZFR	DSBGA	YZF	9	3000	182.0	182.0	20.0
TPA2035D1YZFT	DSBGA	YZF	9	250	182.0	182.0	20.0

YZF (S-XBGA-N9)

DIE-SIZE BALL GRID ARRAY



D: Max = 1.51 mm, Min = 1.45 mm  
 E: Max = 1.51 mm, Min = 1.45 mm

4205058-4/P 07/13

- NOTES: A. All linear dimensions are in millimeters. Dimensioning and tolerancing per ASME Y14.5M-1994.  
 B. This drawing is subject to change without notice.  
 C. NanoFree™ package configuration.