

TS3A44159 0.45-Ω Quad SPDT Analog Switch 4-Channel 2:1 Multiplexer – Demultiplexer With Two Controls

1 Features

- Specified Break-Before-Make Switching
- Low ON-State Resistance (<0.5 Ω)
- Control Inputs Are 1.8-V Logic Compatible
- Low Charge Injection
- Excellent ON-State Resistance Matching
- Low Total Harmonic Distortion (THD)
- 1.65-V to 4.3-V Single-Supply Operation
- Latch-Up Performance Exceeds 100 mA Per JESD 78, Class II
- ESD Performance Tested Per JESD 22
 - ±2000-V Human-Body Model (A114-B, Class II)
 - ±1000-V Charged-Device Model (C101)

2 Applications

- Cell Phones
- PDAs
- Portable Instrumentation
- Audio and Video Signal Routing
- Low-Voltage Data-Acquisition Systems
- Communication Circuits
- Modems
- Hard Drives
- Computer Peripherals
- Wireless Pins and Peripherals

3 Description

The TS3A44159 is a bidirectional 4-channel single-pole double-throw (SPDT) analog switch with two control inputs, which is designed to operate from 1.65 V to 4.3 V. This device is also known as a 2 channel double-pole double-throw (DPDT) configuration. It offers low ON-state resistance and excellent ON-state resistance matching with the break-before-make feature that prevents signal distortion during the transferring of a signal from one channel to another. The device has an excellent total harmonic distortion (THD) performance and consumes very low power. These features make this device suitable for portable audio applications

Device Information⁽¹⁾

PART NUMBER	PACKAGE	BODY SIZE (NOM)
TS3A44159	TSSOP (16)	5.00 mm × 4.40 mm
	VQFN (16)	3.00 mm × 3.00 mm
	UQFN (16)	2.60 mm × 1.80 mm

(1) For all available packages, see the orderable addendum at the end of the datasheet.

Simplified Schematic

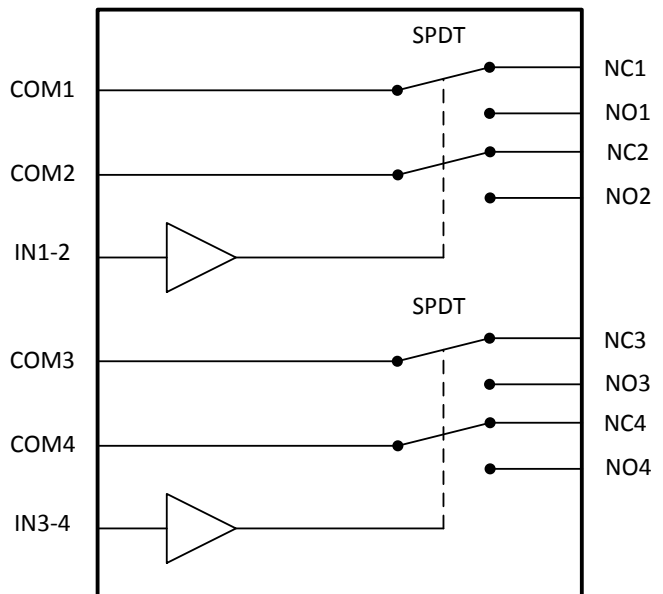


Table of Contents

1	Features	1	8	Detailed Description	19
2	Applications	1	8.1	Overview	19
3	Description	1	8.2	Functional Block Diagram	19
4	Revision History	2	8.3	Feature Description	19
5	Pin Configuration and Functions	3	8.4	Device Functional Modes	19
6	Specifications	4	9	Application and Implementation	20
6.1	Absolute Maximum Ratings	4	9.1	Application Information	20
6.2	ESD Ratings	4	9.2	Typical Application	20
6.3	Recommended Operating Conditions	4	10	Power Supply Recommendations	22
6.4	Thermal Information	5	11	Layout	22
6.5	Electrical Characteristics for 1.8-V Supply	5	11.1	Layout Guidelines	22
6.6	Electrical Characteristics for 2.1-V Supply	6	11.2	Layout Example	22
6.7	Electrical Characteristics for 2.5-V Supply	7	12	Device and Documentation Support	23
6.8	Electrical Characteristics for 3.3-V Supply	8	12.1	Trademarks	23
6.9	Electrical Characteristics for 4.3-V Supply	9	12.2	Electrostatic Discharge Caution	23
6.10	Typical Characteristics	11	12.3	Glossary	23
7	Parameter Measurement Information	14	13	Mechanical, Packaging, and Orderable Information	23

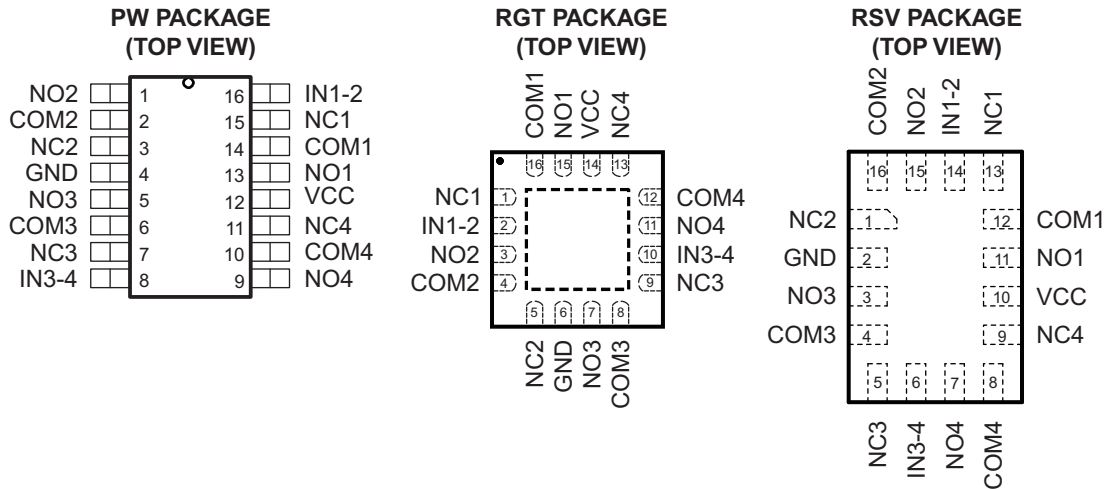
4 Revision History

Changes from Revision B (October 2012) to Revision C

Page

- Added *Pin Configuration and Functions* section, *ESD Ratings* table, *Feature Description* section, *Device Functional Modes*, *Application and Implementation* section, *Power Supply Recommendations* section, *Layout* section, *Device and Documentation Support* section, and *Mechanical, Packaging, and Orderable Information* section **1**

5 Pin Configuration and Functions



Pin Functions

PIN				I/O	DESCRIPTION
PW NO.	RGT NO.	RSV NO.	NAME		
1	3	15	NO2	I/O	Normally Open
2	4	16	COM2	I/O	Common
3	5	1	NC2	I/O	Normally Closed
4	6	2	GND	—	Ground
5	7	3	NO3	I/O	Normally Open
6	8	4	COM3	I/O	Common
7	9	5	NC3	I/O	Normally Closed
8	10	6	IN3-4	I	Digital Control to connect COM to NO or NC
9	11	7	NO4	I/O	Normally Open
10	12	8	COM4	I/O	Common
11	13	9	NC4	I/O	Normally Closed
12	14	10	VCC	I	Power Supply
13	15	11	NO1	I/O	Normally Open
14	16	12	COM1	I/O	Common
15	1	13	NC1	I/O	Normally Closed
16	2	14	IN1-2	I/O	Digital Control to connect COM to NO or NC

6 Specifications

6.1 Absolute Maximum Ratings

 over operating free-air temperature range (unless otherwise noted)^{(1) (2)}

		MIN	MAX	UNIT
V _{CC}	Supply voltage ⁽³⁾	-0.5	4.6	V
V _{NC} V _{NO} V _{COM}	Analog voltage ^{(3) (4) (5)}	-0.5	V _{CC} + 0.5	V
I _K	Analog port diode current V _{NC} , V _{NO} , V _{COM} < 0	-50		mA
I _{NC} I _{NO} I _{COM}	ON-state switch current ON-state peak switch current ⁽⁶⁾ V _{NC} , V _{NO} , V _{COM} = 0 to V _{CC}	-200 -400	200 400	mA
V _{IN}	Digital input voltage	-0.5	4.6	V
I _{IK}	Digital input clamp current ^{(3) (4)} V _I < 0	-50		mA
I _{CC}	Continuous current through V _{CC}		100	mA
I _{GND}	Continuous current through GND	-100		mA
T _{stg}	Storage temperature	-65	150	°C

- (1) Stresses beyond those listed under *Absolute Maximum Ratings* may cause permanent damage to the device. These are stress ratings only, which do not imply functional operation of the device at these or any other conditions beyond those indicated under *Recommended Operating Conditions*. Exposure to absolute-maximum-rated conditions for extended periods may affect device reliability.
- (2) The algebraic convention, whereby the most negative value is a minimum and the most positive value is a maximum
- (3) All voltages are with respect to ground, unless otherwise specified.
- (4) The input and output voltage ratings may be exceeded if the input and output clamp-current ratings are observed.
- (5) This value is limited to 4.6 V maximum.
- (6) Pulse at 1-ms duration <10% duty cycle

6.2 ESD Ratings

		VALUE	UNIT
V _(ESD)	Electrostatic discharge	Human-body model (HBM), per ANSI/ESDA/JEDEC JS-001 ⁽¹⁾	±2000
		Charged-device model (CDM), per JEDEC specification JESD22-C101 ⁽²⁾	±1000

- (1) JEDEC document JEP155 states that 500-V HBM allows safe manufacturing with a standard ESD control process.
- (2) JEDEC document JEP157 states that 250-V CDM allows safe manufacturing with a standard ESD control process.

6.3 Recommended Operating Conditions

over operating free-air temperature range (unless otherwise noted)

		MIN	MAX	UNIT
V _{CC}	Supply Voltage	0	4.3	V
V _{NC} V _{NO} V _{COM}	Analog Voltage	0	4.3	V
V _{IN}	Digital Input Voltage	0	4.3	V

6.4 Thermal Information

THERMAL METRIC ⁽¹⁾		TS3A44159			UNIT
		PW	RGT	RSV	
		16 PINS			
R _{θJA}	Junction-to-ambient thermal resistance	108.0	45.4	107.1	°C/W
R _{θJC(top)}	Junction-to-case (top) thermal resistance	43.0	58.1	41.2	
R _{θJB}	Junction-to-board thermal resistance	53.1	18.6	43.6	
ψ _{JT}	Junction-to-top characterization parameter	4.6	1.1	1.1	
ψ _{JB}	Junction-to-board characterization parameter	52.5	18.6	43.6	
R _{θJC(bot)}	Junction-to-case (bottom) thermal resistance	N/A	3.9	N/A	

(1) For more information about traditional and new thermal metrics, see the *IC Package Thermal Metrics* application report, [SPRA953](#).

6.5 Electrical Characteristics for 1.8-V Supply

V_{CC} = 1.65 V to 1.95 V, T_A = –40°C to 85°C (unless otherwise noted)⁽¹⁾

PARAMETER		TEST CONDITIONS		T _A	V _{CC}	MIN	TYP	MAX	UNIT
ANALOG SWITCH									
V _{COM} , V _{NO} , V _{NC}	Analog signal range					0		V _{CC}	V
R _{on}	ON-state resistance	V _{NO} or V _{NC} = 1.5 V, I _{COM} = –100 mA,	Switch ON, See Figure 16	25°C	1.65 V		0.5	0.7	Ω
				Full				0.8	
ΔR _{on}	ON-state resistance match between channels	V _{NO} or V _{NC} = 1.5 V, 0.6 V, I _{COM} = –100 mA,	Switch ON, See Figure 16	25°C	1.65 V		0.05	0.07	Ω
				Full				0.1	
R _{on(flat)}	ON-state resistance flatness	V _{NO} or V _{NC} = 1.5 V, 0.6 V, 1.5 V, 2.5 V, I _{COM} = –100 mA,	Switch ON, See Figure 16	25°C	1.65 V		0.5	0.7	Ω
				Full				0.8	
I _{NO(OFF)} , I _{NC(OFF)}	NC, NO OFF leakage current	V _{NO} or V _{NC} = 0.3 V, V _{COM} = 1.65 V, or V _{NO} or V _{NC} = 1.65 V, V _{COM} = 0.3 V,	See Figure 17	25°C	1.95 V	–10	0.5	10	nA
				Full			–20		
I _{NO(ON)} , I _{NC(ON)}	NC, NO ON leakage current	V _{NO} or V _{NC} = 0.3 V, V _{COM} = Open, or V _{NO} or V _{NC} = 1.65 V, V _{COM} = Open,	See Figure 18	25°C	1.95 V	–10	0.1	10	nA
				Full			–20		
I _{COM(ON)}	COM ON leakage current	V _{NO} or V _{NC} = Open, V _{COM} = 0.3V, or V _{NO} or V _{NC} = Open, V _{COM} = 1.65 V,	See Figure 18	25°C	1.95 V	–10	0.1	10	nA
				Full			–20		
DIGITAL CONTROL INPUTS (IN1-2, IN3-4)⁽²⁾									
V _{IH}	Input logic high			Full		1		4.3	V
V _{IL}	Input logic low			Full		0		0.4	V
I _{IH} , I _{IL}	Input leakage current	V _{IN} = 3.6 V or 0		25°C	1.95 V		0.5	10	nA
				Full					
DYNAMIC									
t _{ON}	Turn-on time	V _{COM} = V _{CC} , R _L = 50 Ω,	C _L = 35 pF	25°C	1.8 V		40	70	ns
				Full	1.65 V to 1.95 V			75	

(1) The algebraic convention, whereby the most negative value is a minimum and the most positive value is a maximum

(2) All unused digital inputs of the device must be held at V_{CC} or GND to ensure proper device operation. Refer to the TI application report, *Implications of Slow or Floating CMOS Inputs*, [SCBA004](#).

Electrical Characteristics for 1.8-V Supply (continued)
 $V_{CC} = 1.65\text{ V to }1.95\text{ V}$, $T_A = -40^\circ\text{C to }85^\circ\text{C}$ (unless otherwise noted)⁽¹⁾

PARAMETER	TEST CONDITIONS	T_A	V_{CC}	MIN	TYP	MAX	UNIT
t_{OFF} Turn-off time	$V_{COM} = V_{CC}$, $R_L = 50\ \Omega$, $C_L = 35\text{ pF}$	25°C	1.8 V		22	45	ns
		Full	1.65 V to 1.95 V			50	
t_{BBM} Break-before-make time	$V_{NC} = V_{NO} = V_{CC}$, $R_L = 50\ \Omega$, $C_L = 35\text{ pF}$	25°C	1.8 V	5	25	70	ns
		Full	1.65 V to 1.95 V	4		75	
Q_C Charge injection	$V_{GEN} = 0$, $R_{GEN} = 0$, $C_L = 1\text{ nF}$	25°C	1.8 V		64		pC
$C_{NC(OFF)}$, $C_{NO(OFF)}$ NC, NO OFF capacitance	V_{NC} or $V_{NO} = V_{CC}$ or GND, Switch OFF, See Figure 19	25°C	1.8 V		52		pF
$C_{NC(ON)}$, $C_{NO(ON)}$ NC, NO ON capacitance	V_{NC} or $V_{NO} = V_{CC}$ or GND, Switch OFF, See Figure 19	25°C	1.8 V		164		pF
$C_{COM(ON)}$ COM ON capacitance	$V_{COM} = V_{CC}$ or GND, Switch ON, See Figure 19	25°C	1.8 V		164		pF
C_1 Digital input capacitance	$V_I = V_{CC}$ or GND	25°C	1.8 V		2.5		pF
BW Bandwidth	$R_L = 50\ \Omega$, Switch ON	25°C	1.8 V		35		MHz
O_{ISO} OFF isolation	$R_L = 50\ \Omega$, $f = 100\text{ kHz}$, Switch OFF	25°C	1.8 V		-71		dB
X_{TALK} Crosstalk	$R_L = 50\ \Omega$, $f = 100\text{ kHz}$, Switch ON	25°C	1.8 V		-73		dB
THD Total harmonic distortion	$R_L = 600\ \Omega$, $C_L = 50\text{ pF}$, $V_{COM} = \text{GND to } V_{CC}$, $f = 20\text{ Hz to } 20\text{ kHz}$	25°C	1.8 V		0.1%		
SUPPLY							
I_{CC} Positive supply current	$V_I = V_{CC}$ or GND, Switch ON or OFF	25°C	1.95 V		0.001	0.05	μA
		Full				0.15	

6.6 Electrical Characteristics for 2.1-V Supply
 $V_{CC} = 2.00\text{ V to }2.20\text{ V}$, $T_A = -40^\circ\text{C to }85^\circ\text{C}$ (unless otherwise noted)⁽¹⁾

PARAMETER	TEST CONDITIONS	T_A	V_{CC}	MIN	TYP	MAX	UNIT
DIGITAL CONTROL INPUTS (IN1-2, IN3-4)							
V_{IH} Input logic high		Full		1.2		4.3	V
V_{IL} Input logic low		Full		0		0.5	V

(1) The algebraic convention, whereby the most negative value is a minimum and the most positive value is a maximum

6.7 Electrical Characteristics for 2.5-V Supply

 $V_{CC} = 2.3 \text{ V to } 2.7 \text{ V}$, $T_A = -40^\circ\text{C to } 85^\circ\text{C}$ (unless otherwise noted)⁽¹⁾

PARAMETER		TEST CONDITIONS		T_A	V_{CC}	MIN	TYP	MAX	UNIT
ANALOG SWITCH									
V_{COM} , V_{NO} , V_{NC}	Analog signal range					0		V_{CC}	V
R_{on}	ON-state resistance	V_{NO} or $V_{NC} = 1.8 \text{ V}$, $I_{COM} = -100 \text{ mA}$,	Switch ON, See Figure 16	25°C Full	2.3 V		0.45 0.6	0.6 0.7	Ω
ΔR_{on}	ON-state resistance match between channels	V_{NO} or $V_{NC} = 1.8 \text{ V}$, 0.8 V , $I_{COM} = -100 \text{ mA}$,	Switch ON, See Figure 16	25°C Full	2.3 V		0.045 0.07	0.07 0.1	Ω
$R_{on(Flat)}$	ON-state resistance flatness	V_{NO} or $V_{NC} = 1.8 \text{ V}$, 0.8 V $I_{COM} = -100 \text{ mA}$,	Switch ON, See Figure 16	25°C Full	2.3 V		0.06 0.15	0.15 0.2	Ω
$I_{NO(OFF)}$, $I_{NC(OFF)}$	NC, NO OFF leakage current	V_{NO} or $V_{NC} = 0.3 \text{ V}$, $V_{COM} = 2.3 \text{ V}$, or V_{NO} or $V_{NC} = 2.3 \text{ V}$, $V_{COM} = 0.3 \text{ V}$,	See Figure 17	25°C Full	2.7 V	-10 -20	0.5	10 20	nA
$I_{NO(ON)}$, $I_{NC(ON)}$	NC, NO ON leakage current	V_{NO} or $V_{NC} = 0.3 \text{ V}$, $V_{COM} = \text{Open}$, or V_{NO} or $V_{NC} = 2.3 \text{ V}$, $V_{COM} = \text{Open}$,	See Figure 18	25°C Full	2.7 V	-10 -20	0.1	10 20	nA
$I_{COM(ON)}$	COM ON leakage current	V_{NO} or $V_{NC} = \text{Open}$, $V_{COM} = 0.3 \text{ V}$, or V_{NO} or $V_{NC} = \text{Open}$, $V_{COM} = 2.3 \text{ V}$,	See Figure 18	25°C Full	2.7 V	-10 -20	0.1	10 20	nA
DIGITAL CONTROL INPUTS (IN1-2, IN3-4)⁽²⁾									
V_{IH}	Input logic high			Full		1.2		4.3	V
V_{IL}	Input logic low			Full		0		0.6	V
I_{IH} , I_{IL}	Input leakage current	$V_{IN} = 3.6 \text{ V}$ or 0		25°C Full	2.7 V		0.5	10 50	nA
DYNAMIC									
t_{ON}	Turn-on time	$V_{COM} = V_{CC}$, $R_L = 50 \Omega$,	$C_L = 35 \text{ pF}$	25°C Full	2.5 V 2.3 V to 2.7 V		2.6	47 50	ns
t_{OFF}	Turn-off time	$V_{COM} = V_{CC}$, $R_L = 50 \Omega$,	$C_L = 35 \text{ pF}$	25°C Full	2.5 V 2.3 V to 2.7 V		16.5	34 35	ns
t_{BBM}	Break-before-make time	$V_{NC} = V_{NO} = V_{CC}$, $R_L = 50 \Omega$,	$C_L = 35 \text{ pF}$	25°C Full	2.5 V 2.3 V to 2.7 V	4 3	15	35 35	ns
Q_C	Charge injection	$V_{GEN} = 0$, $R_{GEN} = 0$,	$C_L = 1 \text{ nF}$	25°C	2.5 V		84		pC
$C_{NC(OFF)}$, $C_{NO(OFF)}$	NC, NO OFF capacitance	V_{NC} or $V_{NO} = V_{CC}$ or GND, Switch OFF,	See Figure 19	25°C	2.5 V		52		pF
$C_{NC(ON)}$, $C_{NO(ON)}$	NC, NO ON capacitance	V_{NC} or $V_{NO} = V_{CC}$ or GND, Switch OFF,	See Figure 19	25°C	2.5 V		163		pF
$C_{COM(ON)}$	COM ON capacitance	$V_{COM} = V_{CC}$ or GND,	See Figure 19	25°C	2.5 V		163		pF

(1) The algebraic convention, whereby the most negative value is a minimum and the most positive value is a maximum

(2) All unused digital inputs of the device must be held at V_{CC} or GND to ensure proper device operation. Refer to the TI application report, *Implications of Slow or Floating CMOS Inputs*, [SCBA004](#).

Electrical Characteristics for 2.5-V Supply (continued)
 $V_{CC} = 2.3 \text{ V to } 2.7 \text{ V}$, $T_A = -40^\circ\text{C to } 85^\circ\text{C}$ (unless otherwise noted)⁽¹⁾

PARAMETER		TEST CONDITIONS		T_A	V_{CC}	MIN	TYP	MAX	UNIT
C_I	Digital input capacitance	$V_I = V_{CC}$ or GND		25°C	2.5 V		2.5		pF
BW	Bandwidth	$R_L = 50 \Omega$,	Switch ON	25°C	2.5 V		35		MHz
O_{ISO}	OFF isolation	$R_L = 50 \Omega$, $f = 100 \text{ kHz}$,	Switch OFF	25°C	2.5 V		-71		dB
X_{TALK}	Crosstalk	$R_L = 50 \Omega$, $f = 100 \text{ kHz}$,	Switch ON	25°C	2.5 V		-73		dB
THD	Total harmonic distortion	$R_L = 600 \Omega$, $C_L = 50 \text{ pF}$, $V_{COM} = \text{GND to } V_{CC}$	$f = 20 \text{ Hz to } 20 \text{ kHz}$	25°C	2.5 V		0.009%		
SUPPLY									
I_{CC}	Positive supply current	$V_I = V_{CC}$ or GND,	Switch ON or OFF	25°C	2.5 V		0.004	0.1	μA
				Full				0.5	

6.8 Electrical Characteristics for 3.3-V Supply
 $V_{CC} = 3 \text{ V to } 3.6 \text{ V}$, $T_A = -40^\circ\text{C to } 85^\circ\text{C}$ (unless otherwise noted)⁽¹⁾

PARAMETER		TEST CONDITIONS		T_A	V_{CC}	MIN	TYP	MAX	UNIT	
ANALOG SWITCH										
V_{COM} , V_{NO} , V_{NC}	Analog signal range					0		V_{CC}	V	
R_{on}	ON-state resistance	V_{NO} or $V_{NC} = 2.0 \text{ V}$, $I_{COM} = -100 \text{ mA}$,	Switch ON, See Figure 16	25°C	3 V		0.37	0.55	Ω	
				Full				0.6		
ΔR_{on}	ON-state resistance match between channels	V_{NO} or $V_{NC} = 2.0 \text{ V}$, 0.8 V , $I_{COM} = -100 \text{ mA}$,	Switch ON, See Figure 16	25°C	3 V		0.06	0.07	Ω	
				Full				0.1		
$R_{on(flat)}$	ON-state resistance flatness	V_{NO} or $V_{NC} = 2.0 \text{ V}$, 0.8 V $I_{COM} = -100 \text{ mA}$,	Switch ON, See Figure 16	25°C	3 V		0.05	0.1	Ω	
				Full				0.1		
$I_{NO(OFF)}$, $I_{NC(OFF)}$	NC, NO OFF leakage current	V_{NO} or $V_{NC} = 0.3 \text{ V}$, $V_{COM} = 3.0 \text{ V}$, or V_{NO} or $V_{NC} = 3.0 \text{ V}$, $V_{COM} = 0.3 \text{ V}$,	See Figure 17	25°C	3.6 V		-15	5	15	nA
				Full				-50	50	
$I_{NO(ON)}$, $I_{NC(ON)}$	NC, NO ON leakage current	V_{NO} or $V_{NC} = 0.3 \text{ V}$, $V_{COM} = \text{Open}$, or V_{NO} or $V_{NC} = 3.0 \text{ V}$, $V_{COM} = \text{Open}$,	See Figure 18	25°C	3.6 V		-15	5	15	nA
				Full				-50	50	
$I_{COM(ON)}$	COM ON leakage current	V_{NO} or $V_{NC} = \text{Open}$, $V_{COM} = 0.3 \text{ V}$, or V_{NO} or $V_{NC} = \text{Open}$, $V_{COM} = 3.0 \text{ V}$,	See Figure 18	25°C	3.6 V		-15	5	15	nA
				Full				-50	50	
DIGITAL CONTROL INPUTS (IN1-2, IN3-4)⁽²⁾										
V_{IH}	Input logic high			Full		1.25		4.3	V	
V_{IL}	Input logic low			Full		0		0.8	V	
I_{IH} , I_{IL}	Input leakage current	$V_{IN} = 3.6 \text{ V}$ or 0		25°C	3.6 V		0.5	10	nA	
				Full				50		

(1) The algebraic convention, whereby the most negative value is a minimum and the most positive value is a maximum

(2) All unused digital inputs of the device must be held at V_{CC} or GND to ensure proper device operation. Refer to the TI application report, *Implications of Slow or Floating CMOS Inputs*, [SCBA004](#).

Electrical Characteristics for 3.3-V Supply (continued)

 $V_{CC} = 3\text{ V to }3.6\text{ V}$, $T_A = -40^\circ\text{C to }85^\circ\text{C}$ (unless otherwise noted)⁽¹⁾

PARAMETER	TEST CONDITIONS	T_A	V_{CC}	MIN	TYP	MAX	UNIT	
DYNAMIC								
t_{ON}	Turn-on time	$V_{COM} = V_{CC}$, $R_L = 50\ \Omega$, $C_L = 35\text{ pF}$	25°C	3 V	20	38	ns	
			Full	3 V to 3.6 V		40		
t_{OFF}	Turn-off time	$V_{COM} = V_{CC}$, $R_L = 50\ \Omega$, $C_L = 35\text{ pF}$	25°C	3 V	14	34	ns	
			Full	3 V to 3.6 V		35		
t_{BBM}	Break-before-make time	$V_{NC} = V_{NO} = V_{CC}$, $R_L = 50\ \Omega$, $C_L = 35\text{ pF}$	25°C	3 V	3	11	35	ns
			Full	3 V to 3.6 V	2		55	
Q_C	Charge injection	$V_{GEN} = 0$, $R_{GEN} = 0$, $C_L = 1\text{ nF}$	25°C	3 V	109		pC	
$C_{NC(OFF)}$, $C_{NO(OFF)}$	NC, NO OFF capacitance	V_{NC} or $V_{NO} = V_{CC}$ or GND, Switch OFF,	25°C	3 V	51		pF	
$C_{NC(ON)}$, $C_{NO(ON)}$	NC, NO ON capacitance	V_{NC} or $V_{NO} = V_{CC}$ or GND, Switch OFF,	25°C	3 V	162		pF	
$C_{COM(ON)}$	COM ON capacitance	$V_{COM} = V_{CC}$ or GND, Switch ON,	25°C	3 V	162		pF	
C_I	Digital input capacitance	$V_I = V_{CC}$ or GND	25°C	3 V	2.5		pF	
BW	Bandwidth	$R_L = 50\ \Omega$, Switch ON	25°C	3 V	35		MHz	
O_{ISO}	OFF isolation	$R_L = 50\ \Omega$, $f = 100\text{ kHz}$, Switch OFF	25°C	3 V	-71		dB	
X_{TALK}	Crosstalk	$R_L = 50\ \Omega$, $f = 100\text{ kHz}$, Switch ON	25°C	3 V	-73		dB	
THD	Total harmonic distortion	$R_L = 600\ \Omega$, $C_L = 50\text{ pF}$, $V_{COM} = \text{GND to } V_{CC}$, $f = 20\text{ Hz to } 20\text{ kHz}$	25°C	3 V	0.003%			
SUPPLY								
I_{CC}	Positive supply current	$V_I = V_{CC}$ or GND, Switch ON or OFF	25°C	3.6 V	0.015	0.2	μA	
			Full			0.7		

6.9 Electrical Characteristics for 4.3-V Supply

 $T_A = -40^\circ\text{C to }85^\circ\text{C}$ (unless otherwise noted)⁽¹⁾

PARAMETER	TEST CONDITIONS	T_A	V_{CC}	MIN	TYP	MAX	UNIT
ANALOG SWITCH							
V_{COM} , V_{NO} , V_{NC}	Analog signal range			0		V_{CC}	V
R_{on}	ON-state resistance	V_{NO} or $V_{NC} = 2.5\text{ V}$, $I_{COM} = -100\text{ mA}$, Switch ON, See Figure 16	25°C	4.3 V	0.3	0.45	Ω
			Full			0.5	
ΔR_{on}	ON-state resistance match between channels	V_{NO} or $V_{NC} = 2.5\text{ V}$, $I_{COM} = -100\text{ mA}$, Switch ON, See Figure 16	25°C	4.3 V	0.05	0.07	Ω
			Full			0.1	
$R_{on(Flat)}$	ON-state resistance flatness	V_{NO} or $V_{NC} = 1\text{ V}$, 1.5 V , 2.5 V , $I_{COM} = -100\text{ mA}$, Switch ON, See Figure 16	25°C	4.3 V	0.02	0.1	Ω
			Full			0.1	

(1) The algebraic convention, whereby the most negative value is a minimum and the most positive value is a maximum

Electrical Characteristics for 4.3-V Supply (continued)
 $T_A = -40^\circ\text{C to } 85^\circ\text{C}$ (unless otherwise noted)⁽¹⁾

PARAMETER		TEST CONDITIONS		T_A	V_{CC}	MIN	TYP	MAX	UNIT
$I_{NO(OFF)}, I_{NC(OFF)}$	NC, NO OFF leakage current	V_{NO} or $V_{NC} = 0.3\text{ V}$, $V_{COM} = 3.0\text{ V}$, or V_{NO} or $V_{NC} = 3.0\text{ V}$, $V_{COM} = 0.3\text{ V}$,	See Figure 17	25°C	4.3 V	-20	5	20	nA
				Full		-90		90	
$I_{NO(ON)}, I_{NC(ON)}$	NC, NO ON leakage current	V_{NO} or $V_{NC} = 0.3\text{ V}$, $V_{COM} = \text{Open}$, or V_{NO} or $V_{NC} = 3.0\text{ V}$, $V_{COM} = \text{Open}$,	See Figure 18	25°C	4.3 V	-20	5	20	nA
				Full		-90		90	
$I_{COM(ON)}$	COM ON leakage current	V_{NO} or $V_{NC} = \text{Open}$, $V_{COM} = 0.3\text{ V}$, or V_{NO} or $V_{NC} = \text{Open}$, $V_{COM} = 3.0\text{ V}$,	See Figure 18	25°C	4.3 V	-20	5	20	nA
				Full		-90		90	
DIGITAL CONTROL INPUTS (IN1-2, IN3-4)⁽²⁾									
V_{IH}	Input logic high			Full	4.3 V	1.5		4.3	V
V_{IL}	Input logic low			Full	4.3 V	0		1	V
I_{IH}, I_{IL}	Input leakage current	$V_{IN} = 3.6\text{ V}$ or 0		25°C	4.3 V		0.5	10	nA
				Full				50	
DYNAMIC									
t_{ON}	Turn-on time	$V_{COM} = V_{CC}$, $R_L = 50\ \Omega$,	$C_L = 35\text{ pF}$	25°C	4.3 V		17	23	ns
				Full				25	
t_{OFF}	Turn-off time	$V_{COM} = V_{CC}$, $R_L = 50\ \Omega$,	$C_L = 35\text{ pF}$	25°C	4.3 V		12	32	ns
				Full				35	
t_{BBM}	Break-before-make time	$V_{NC} = V_{NO} = V_{CC}$, $R_L = 50\ \Omega$,	$C_L = 35\text{ pF}$	25°C	4.3 V	2	9	30	ns
				Full		1		35	
Q_C	Charge injection	$V_{GEN} = 0$, $R_{GEN} = 0$,	$C_L = 1\text{ nF}$	25°C	4.3 V		139		pC
$C_{NC(OFF)}, C_{NO(OFF)}$	NC, NO off capacitance	V_{NC} or $V_{NO} = V_{CC}$ or GND, Switch OFF,	See Figure 19	25°C	4.3 V		50		pF
$C_{NC(ON)}, C_{NO(ON)}$	NC, NO ON capacitance	V_{NC} or $V_{NO} = V_{CC}$ or GND, Switch OFF,	See Figure 19	25°C	4.3 V		160		pF
$C_{COM(ON)}$	COM ON capacitance	$V_{COM} = V_{CC}$ or GND, Switch ON,	See Figure 19	25°C	4.3 V		160		pF
C_I	Digital input capacitance	$V_I = V_{CC}$ or GND		25°C	4.3 V		2.5		pF
BW	Bandwidth	$R_L = 50\ \Omega$,	Switch ON	25°C	4.3 V		35		MHz
O_{ISO}	OFF isolation	$R_L = 50\ \Omega$, $f = 100\text{ kHz}$,	Switch OFF	25°C	4.3 V		-71		dB
X_{TALK}	Crosstalk	$R_L = 50\ \Omega$, $f = 100\text{ kHz}$,	Switch ON	25°C	4.3 V		-73		dB
THD	Total harmonic distortion	$R_L = 600\ \Omega$, $C_L = 50\text{ pF}$, $V_{COM} = \text{GND to } V_{CC}$	$f = 20\text{ Hz to } 20\text{ kHz}$	25°C	4.3 V		0.003%		
SUPPLY									
I_{CC}	Positive supply current	$V_I = V_{CC}$ or GND,	Switch ON or OFF	25°C	4.3 V		0.15	0.4	μA
				Full				1.2	

(2) All unused digital inputs of the device must be held at V_{CC} or GND to ensure proper device operation. Refer to the TI application report, *Implications of Slow or Floating CMOS Inputs*, [SCBA004](#).

6.10 Typical Characteristics

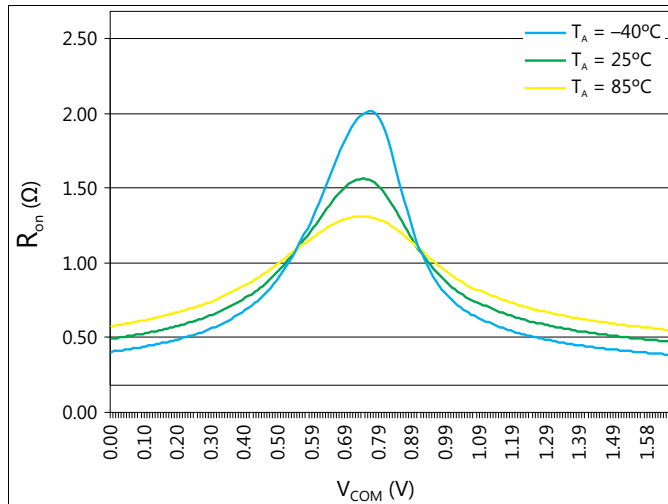


Figure 1. R_{on} vs V_{COM} ($V_{CC} = 1.65$ V)

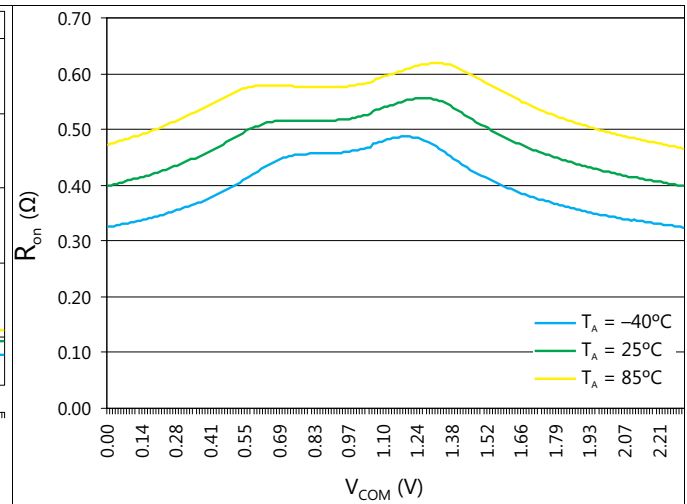


Figure 2. R_{on} vs V_{COM} ($V_{CC} = 2.3$ V)

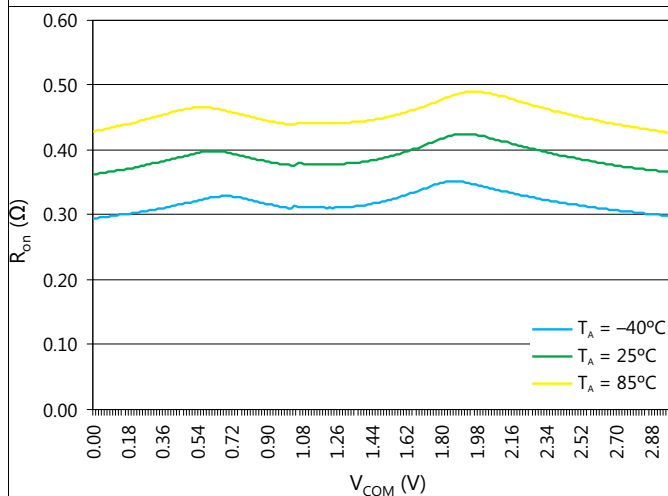


Figure 3. R_{on} vs V_{COM} ($V_{CC} = 3$ V)

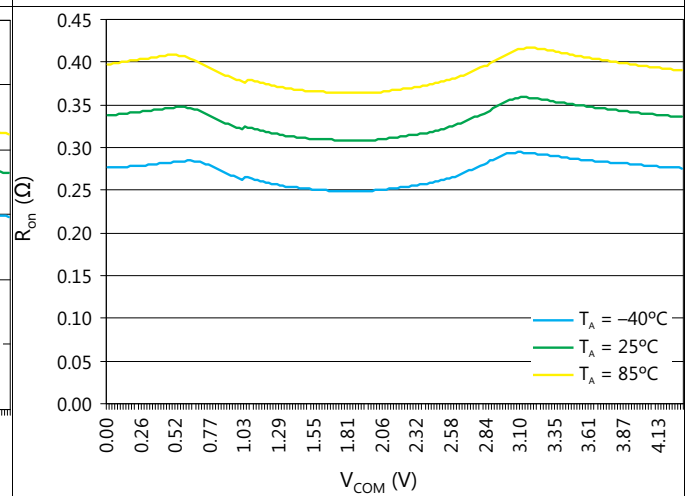


Figure 4. R_{on} vs V_{COM} ($V_{CC} = 4.3$ V)

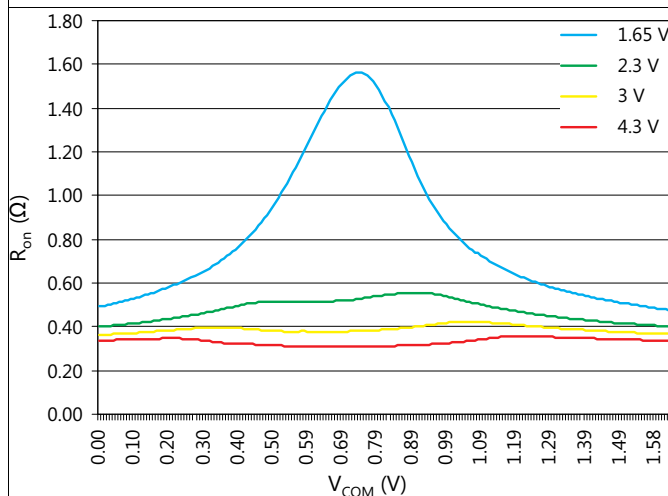


Figure 5. R_{on} vs V_{COM} (All Voltages)

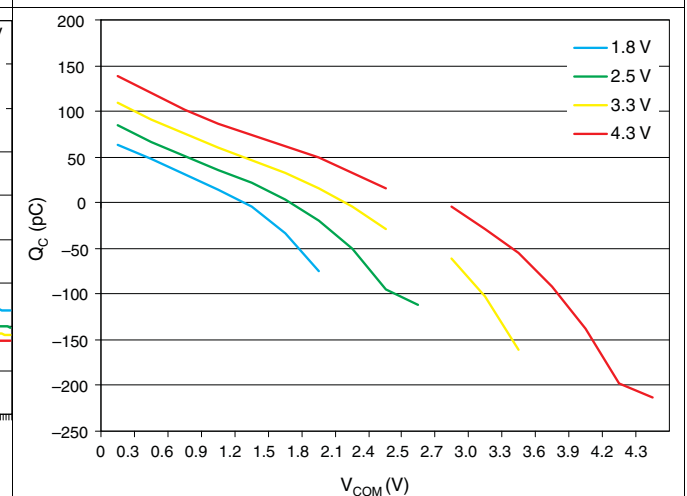


Figure 6. Charge Injection (Q_C) vs V_{COM} ($T_A = 25^\circ\text{C}$)

Typical Characteristics (continued)

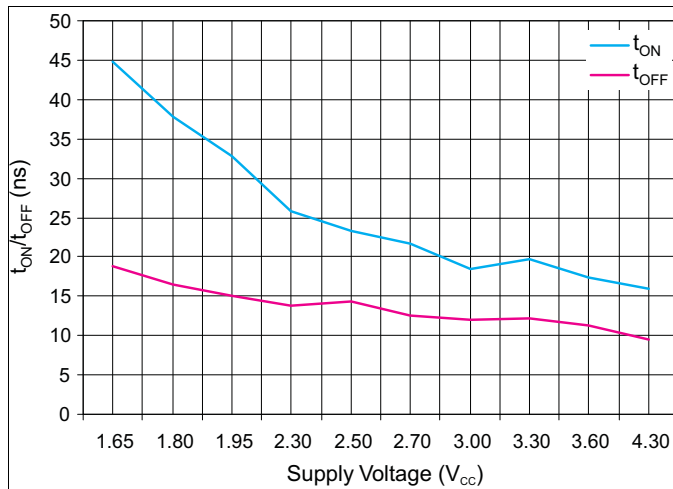


Figure 7. t_{ON} and t_{OFF} vs Supply Voltage (T_A = 25°C)

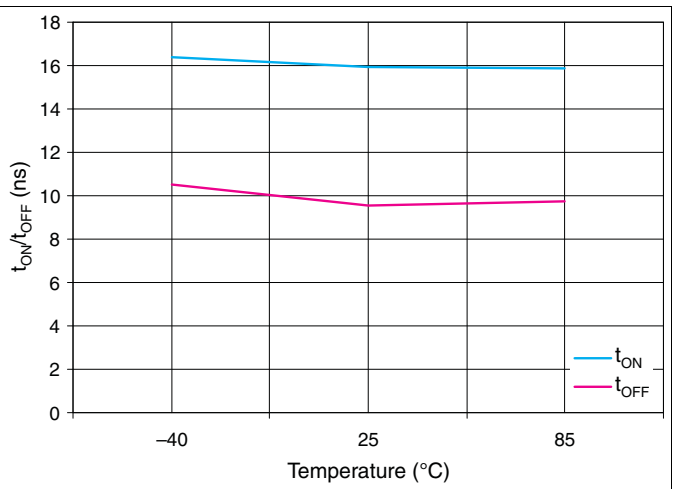


Figure 8. t_{ON} and t_{OFF} vs Temperature (V_{CC} = 4.3 V)

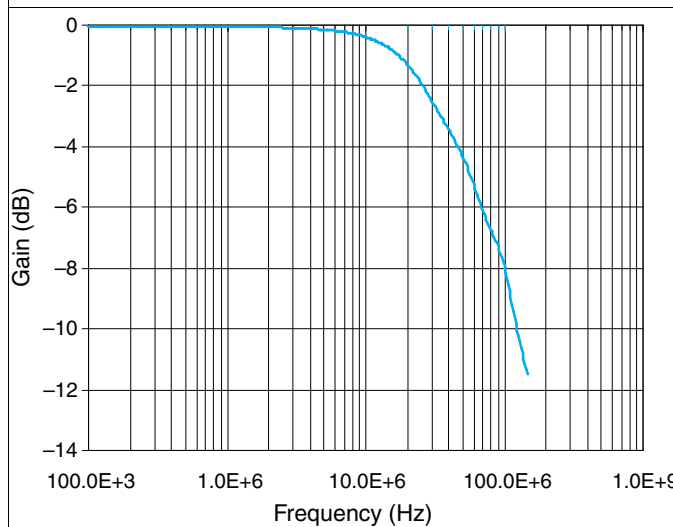


Figure 9. Bandwidth

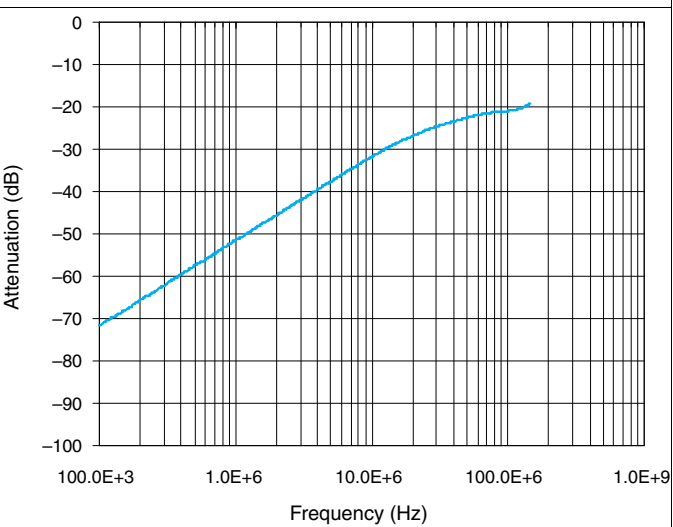


Figure 10. OFF Isolation

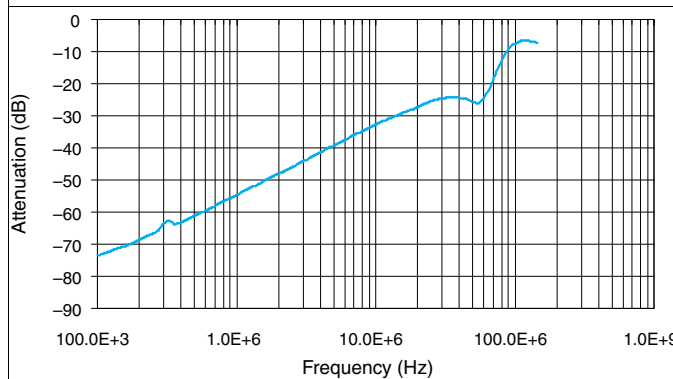


Figure 11. Crosstalk

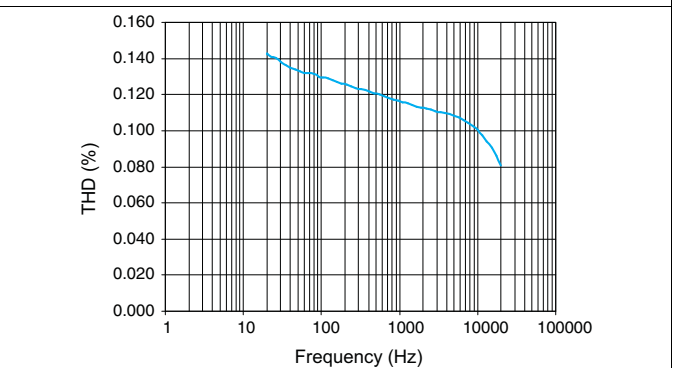
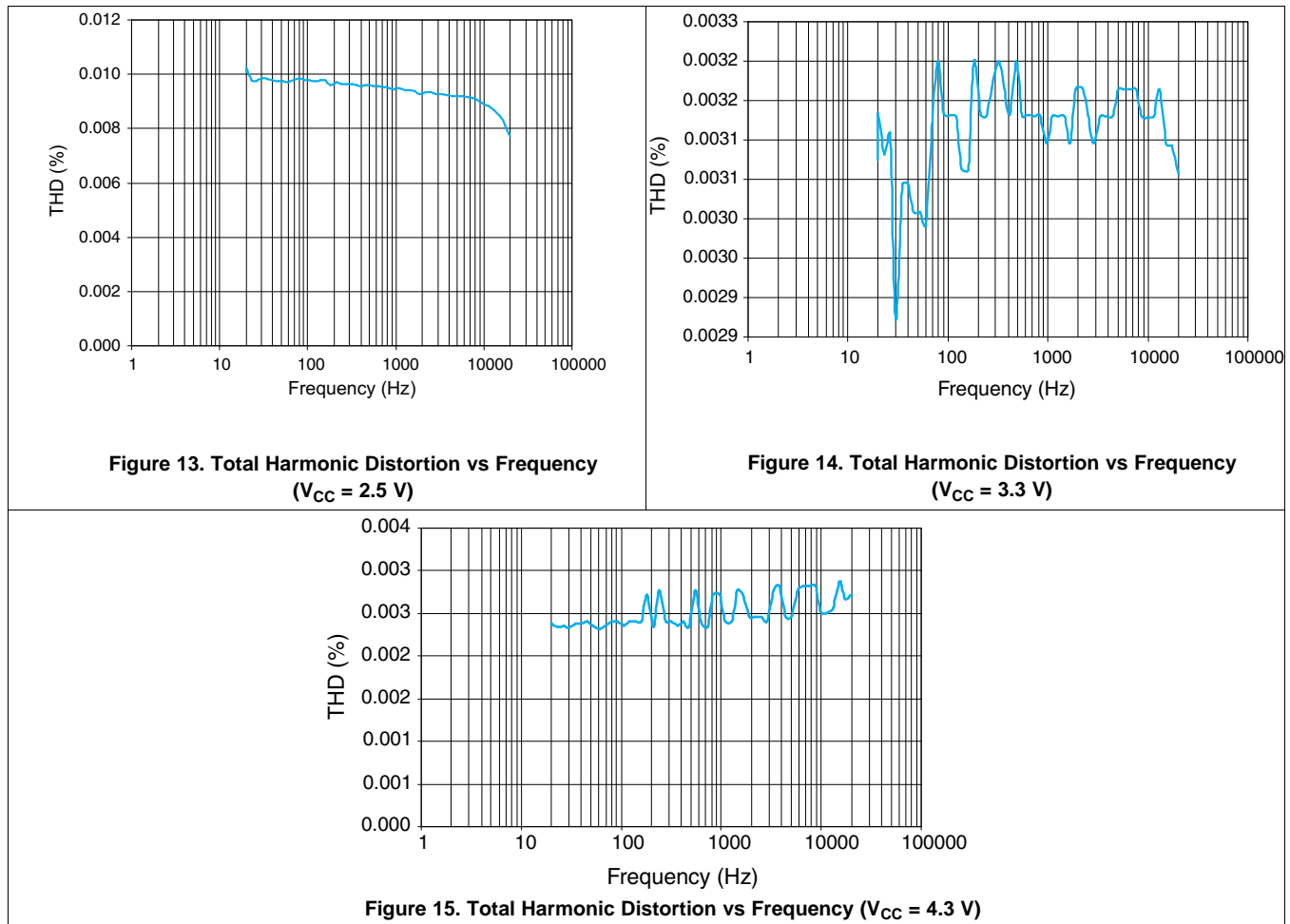


Figure 12. Total Harmonic Distortion vs Frequency (V_{CC} = 1.8 V)

Typical Characteristics (continued)



7 Parameter Measurement Information

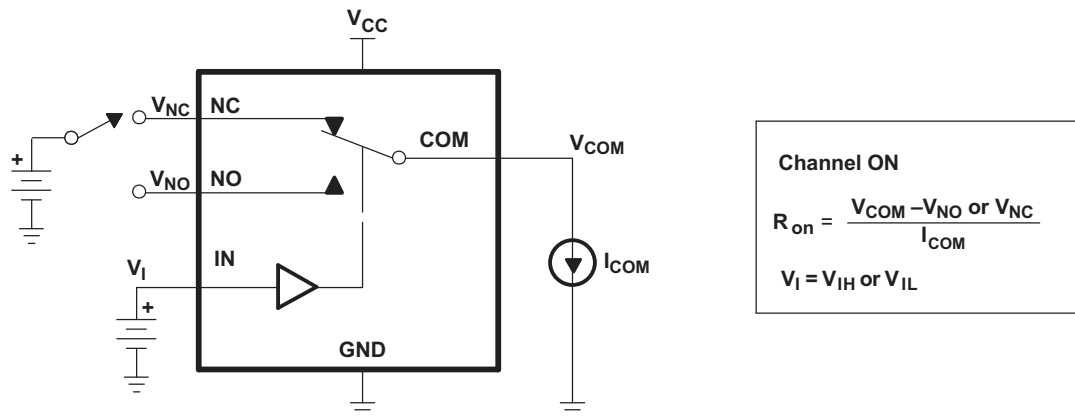


Figure 16. ON-state Resistance (R_{ON})

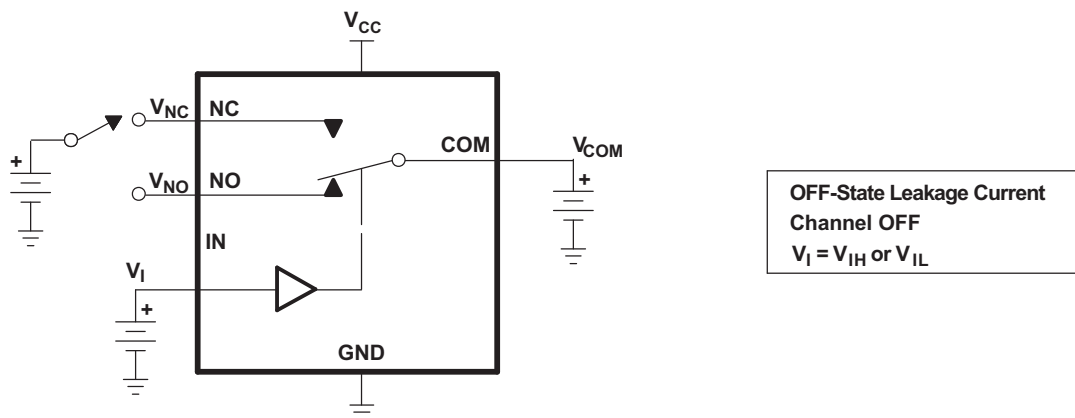


Figure 17. OFF-State Leakage Current ($I_{NC(OFF)}$, $I_{NC(PWROFF)}$, $I_{NO(OFF)}$, $I_{NO(PWROFF)}$, $I_{COM(OFF)}$, $I_{COM(PWROFF)}$)

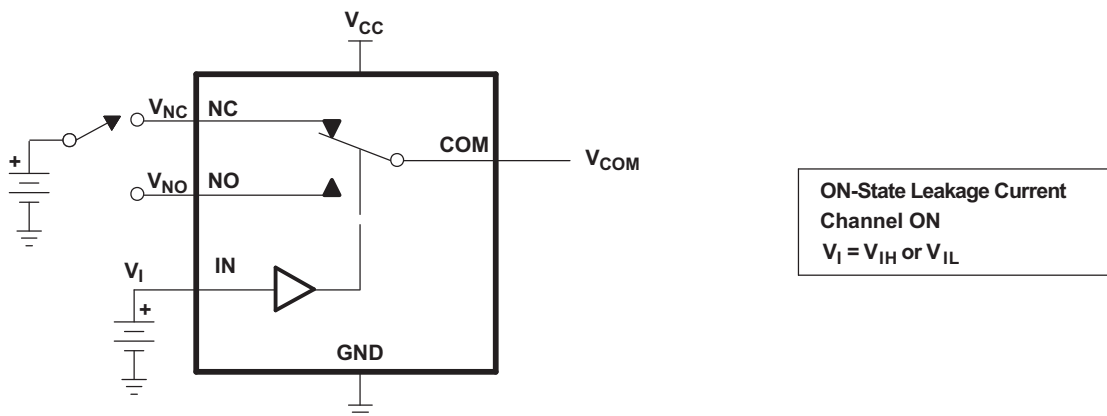


Figure 18. ON-State Leakage Current ($I_{COM(ON)}$, $I_{NC(ON)}$, $I_{NO(ON)}$)

Parameter Measurement Information (continued)

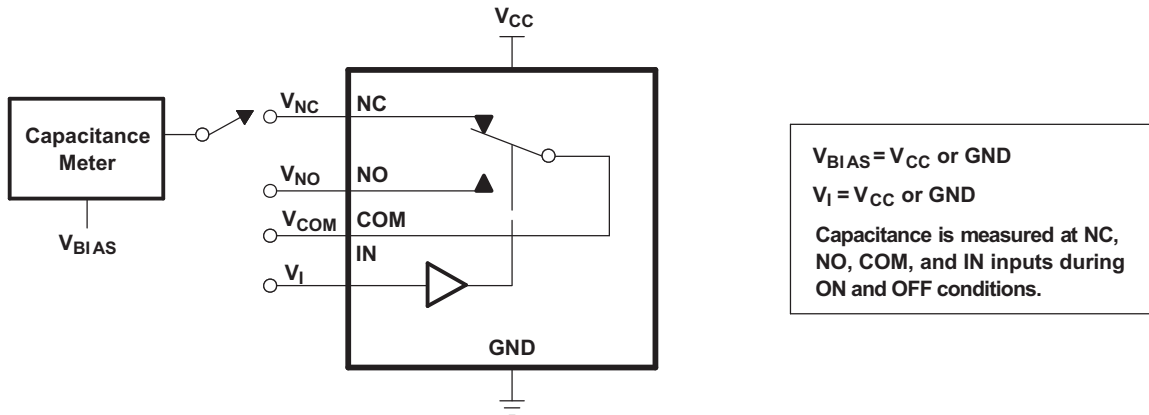
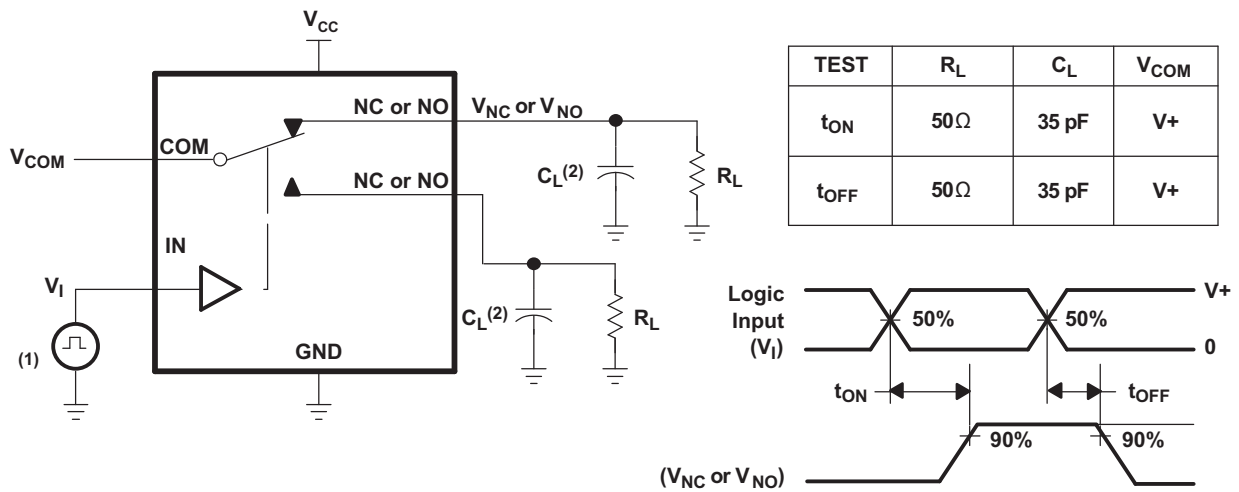


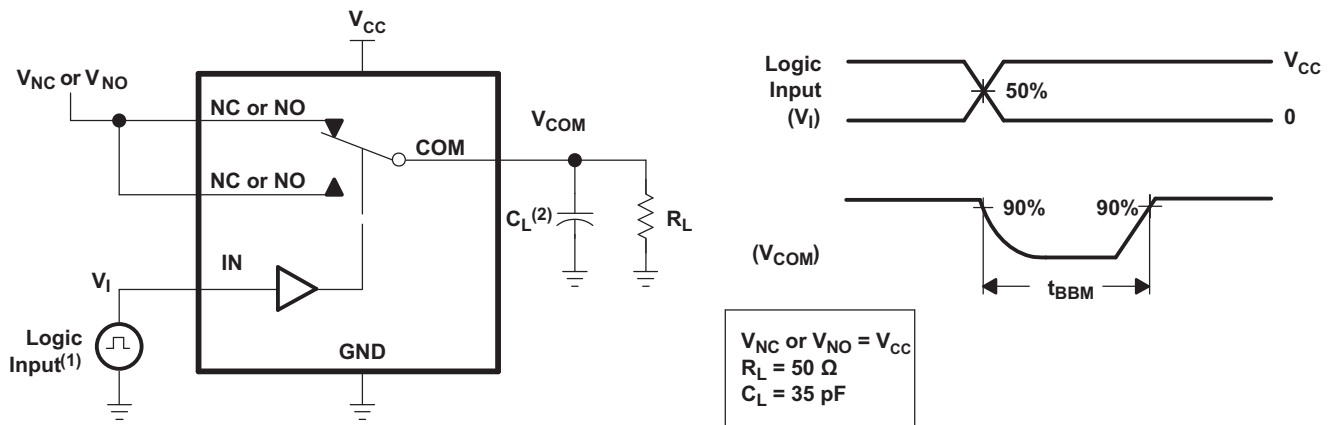
Figure 19. Capacitance (C_I , $C_{COM(ON)}$, $C_{NC(OFF)}$, $C_{NO(OFF)}$, $C_{NC(ON)}$, $C_{NO(ON)}$)



- A. All input pulses are supplied by generators having the following characteristics:
 $PRR \leq 10 \text{ MHz}$, $Z_O = 50 \Omega$, $t_r < 5 \text{ ns}$, $t_f < 5 \text{ ns}$.
- B. C_L includes probe and jig capacitance.

Figure 20. Turn-On (t_{ON}) and Turn-Off Time (t_{OFF})

Parameter Measurement Information (continued)



- A. C_L includes probe and jig capacitance.
- B. All input pulses are supplied by generators having the following characteristics:
 $PRR \leq 10 \text{ MHz}$, $Z_O = 50 \Omega$, $t_r < 5 \text{ ns}$, $t_f < 5 \text{ ns}$.

Figure 21. Break-Before-Make Time (t_{BBM})

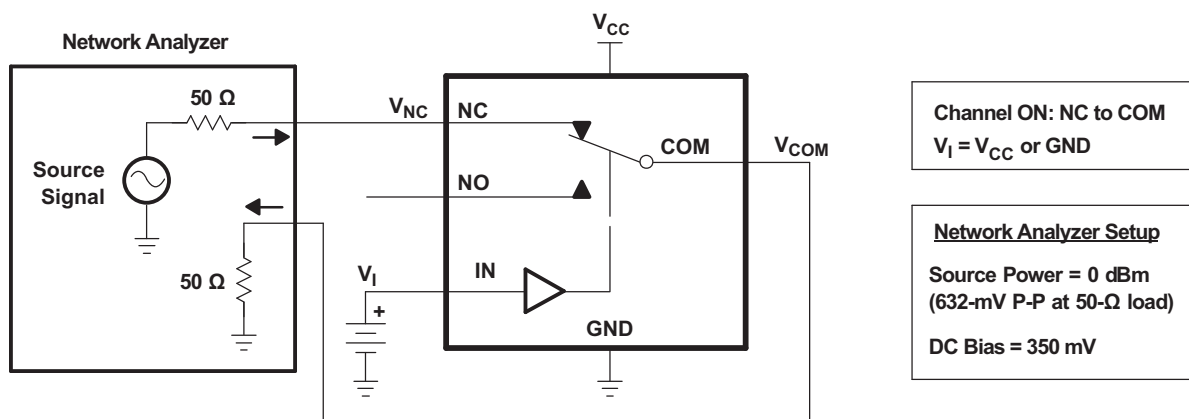


Figure 22. Bandwidth (BW)

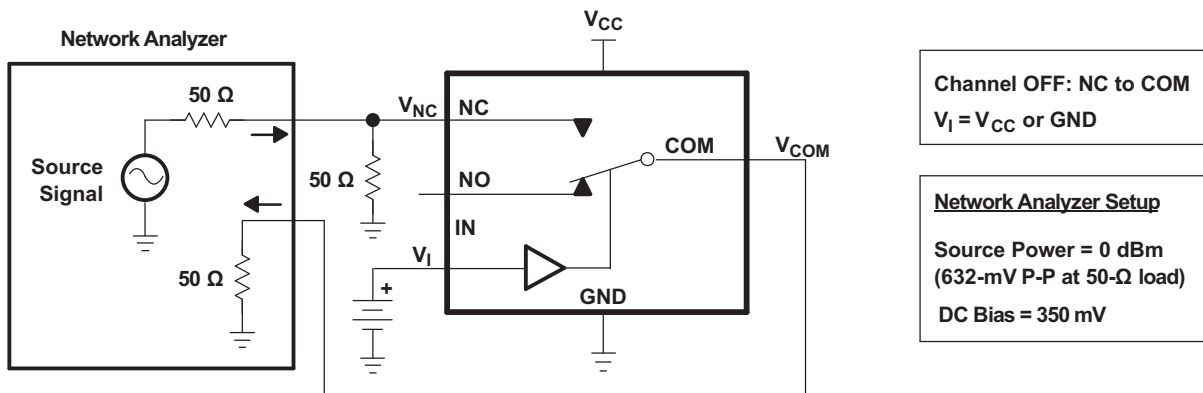


Figure 23. OFF Isolation (O_{ISO})

Parameter Measurement Information (continued)

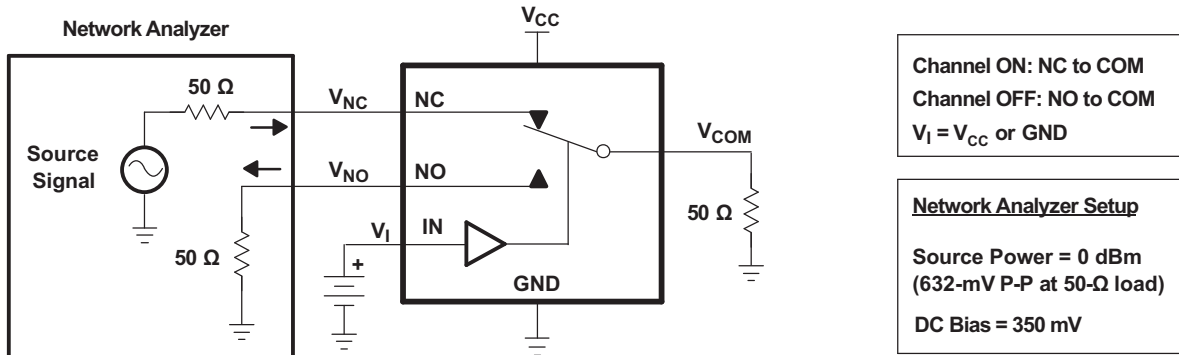
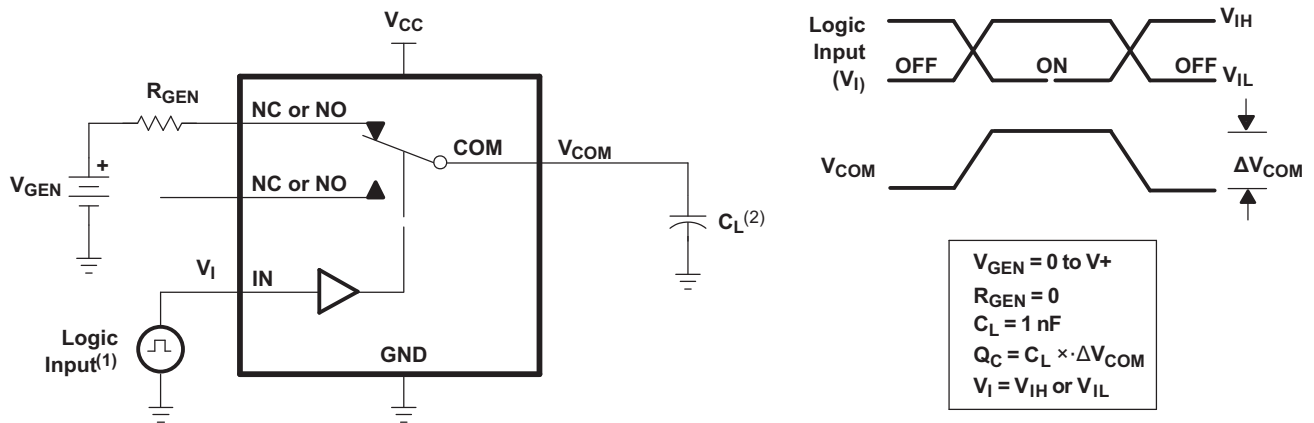


Figure 24. Crosstalk (X_{TALK})

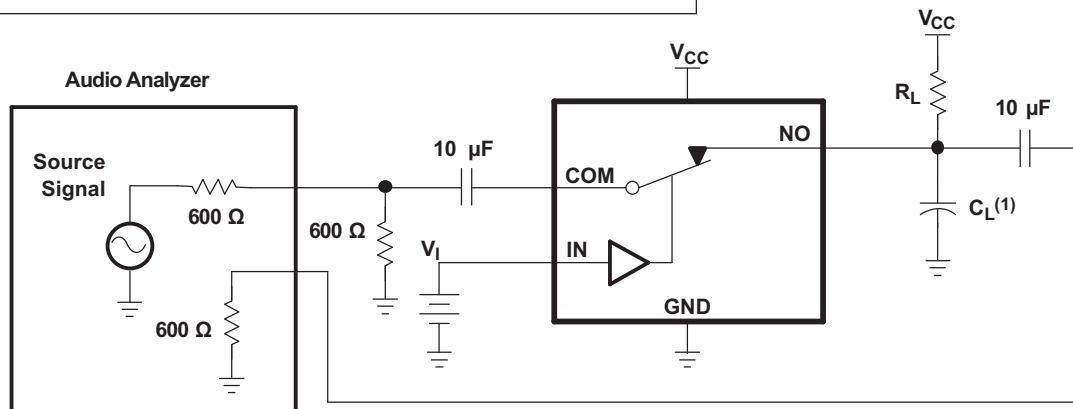


- A. All input pulses are supplied by generators having the following characteristics:
 $PRR \leq 10$ MHz, $Z_O = 50 \Omega$, $t_r < 5$ ns, $t_f < 5$ ns.
- B. C_L includes probe and jig capacitance.

Figure 25. Charge Injection (Q_C)

Parameter Measurement Information (continued)

Channel ON: COM to NO	$V_I = V_{IH}$ or V_{IL}	$R_L = 600$
$V_{SOURCE} = GND$ to V_{CC}	Source Signal = 20 Hz to 20 kHz	$C_L = 50$ pF



A. C_L includes probe and jig capacitance.

Figure 26. Total Harmonic Distortion (THD)

8 Detailed Description

8.1 Overview

The TS3A44159 is a bidirectional 4-channel single-pole double-throw (SPDT) analog switch with two control inputs, which is designed to operate from 1.65 V to 4.3 V. This device is also known as a 2-channel, double-pole, double-throw (DPDT) configuration. It offers low ON-state resistance and excellent ON-state resistance matching with the break-before-make feature that prevents signal distortion during the transferring of a signal from one channel to another. The device has an excellent total harmonic distortion (THD) performance and consumes very low power. These features make this device suitable for portable audio applications.

8.2 Functional Block Diagram

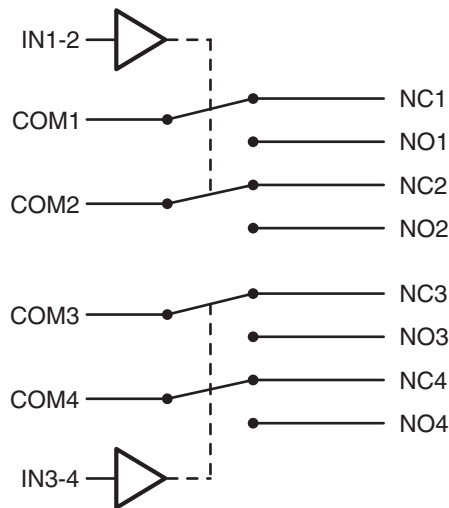


Figure 27. Logic Diagram

8.3 Feature Description

The TS3A44159 is a bidirectional device that has two sets of two single-pole double-throw switches. The four channels of the switch are controlled by two digital signals; one digital control for each set of two single-pole double-throw switches.

8.4 Device Functional Modes

Table 1. Function Table

IN	NC TO COM, COM TO NC	NO TO COM, COM TO NO
L	ON	OFF
H	OFF	ON

9 Application and Implementation

NOTE

Information in the following applications sections is not part of the TI component specification, and TI does not warrant its accuracy or completeness. TI's customers are responsible for determining suitability of components for their purposes. Customers should validate and test their design implementation to confirm system functionality.

9.1 Application Information

The switches are bidirectional, so the NO, NC, and COM pins can be used as either inputs or outputs.

9.2 Typical Application

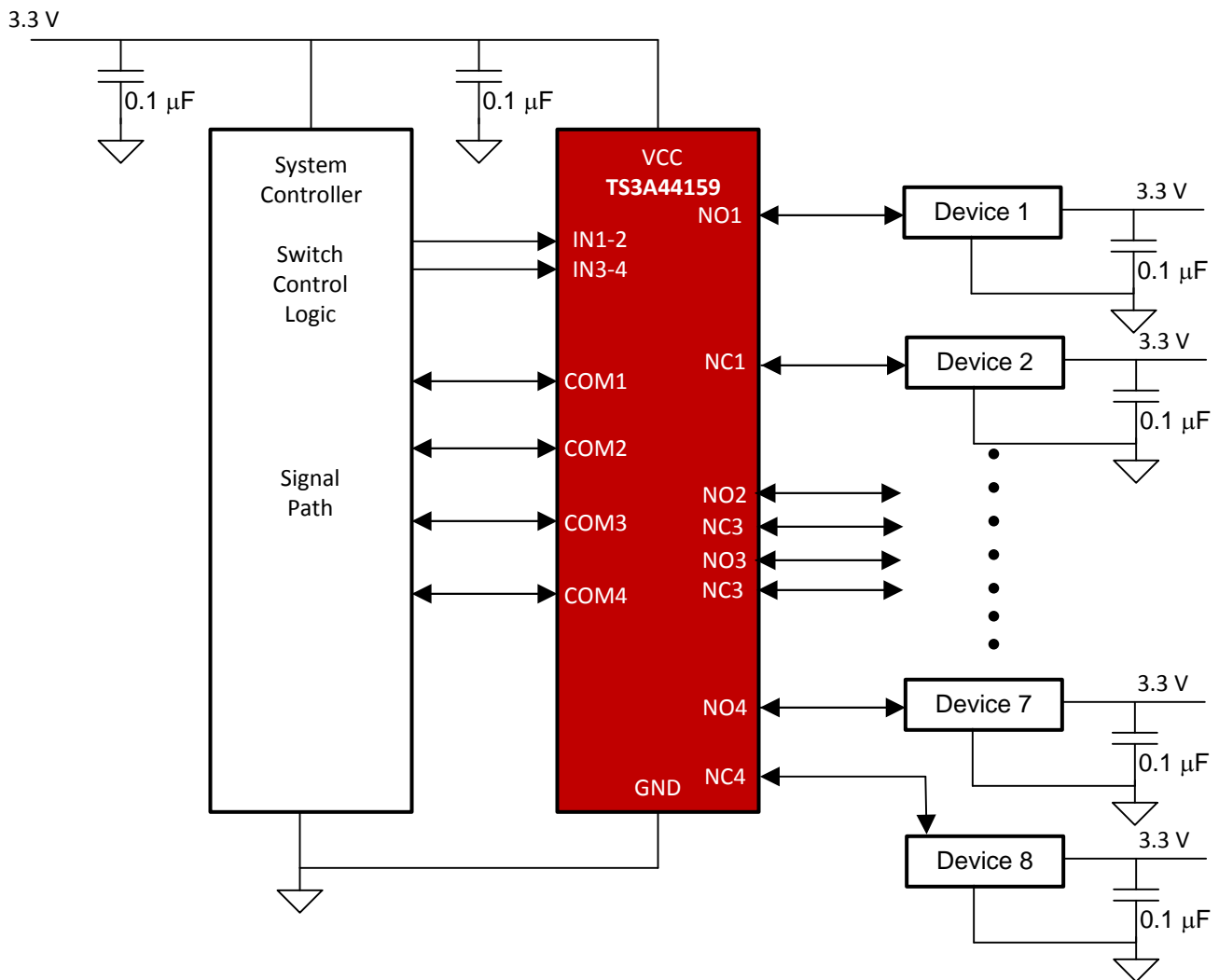


Figure 28. Typical Application Diagram

9.2.1 Design Requirements

Ensure that all of the signals passing through the switch are within the specified ranges to ensure proper performance.

Table 2. Design Parameters

DESIGN PARAMETERS	EXAMPLE VALUES
Analog Voltage	4.3 V
Digital Input Voltage	4.3 V

9.2.2 Detailed Design Procedure

The TS3A44159 can be properly operated without any external components. However, TI recommends to connect unused pins to the ground through a 50-Ω resistor to prevent signal reflections back into the device. TI also recommends that the digital control pins (INX) be pulled up to VCC or down to GND to avoid undesired switch positions that could result from the floating pin.

9.2.3 Application Curve

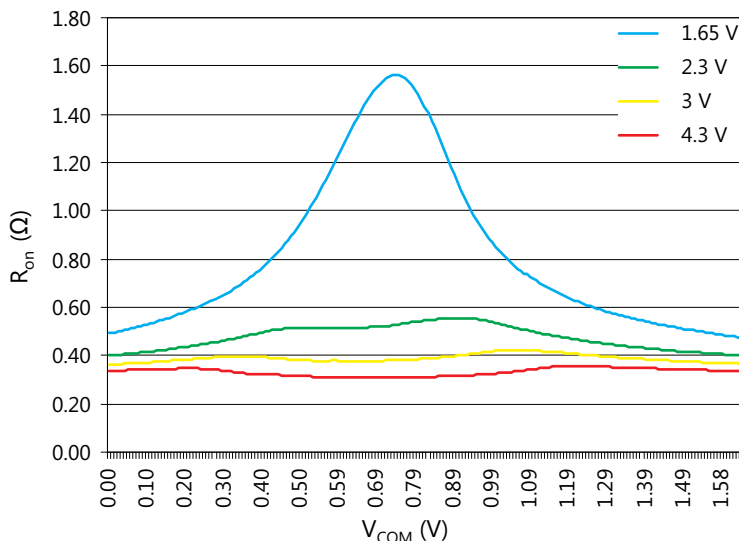


Figure 29. R_{on} vs V_{COM} (All Voltages)

10 Power Supply Recommendations

Proper power-supply sequencing is recommended for all CMOS devices. Do not exceed the absolute maximum ratings, because stresses beyond the listed ratings can cause permanent damage to the device. Always sequence V_{CC} on first, followed by NO, NC, or COM. Although it is not required, power-supply bypassing improves noise margin and prevents switching noise propagation from the V_{CC} supply to other components. A 0.1- μF capacitor, connected from V_{CC} to GND, is adequate for most applications.

11 Layout

11.1 Layout Guidelines

High-speed switches require proper layout and design procedures for optimum performance. Reduce stray inductance and capacitance by keeping traces short and wide. Ensure that bypass capacitors are as close to the device as possible. Use large ground planes where possible.

11.2 Layout Example

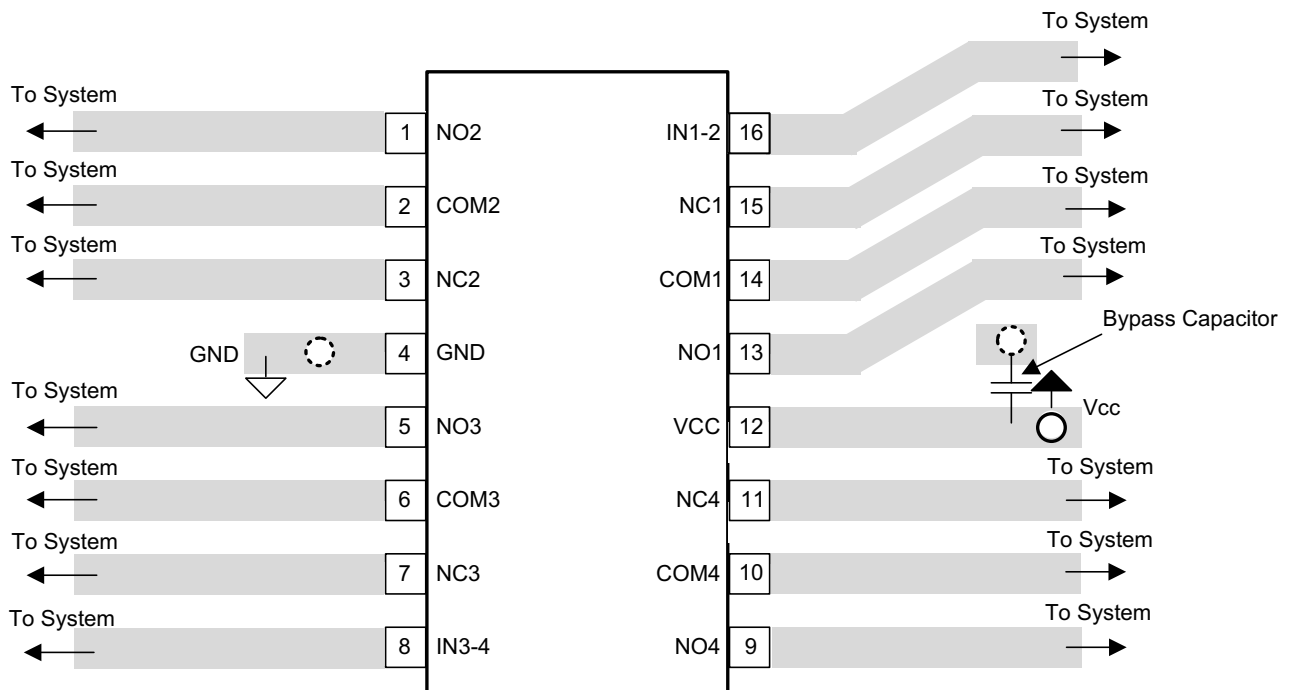
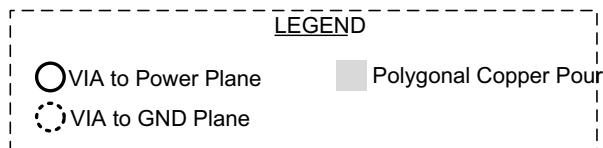


Figure 30. PCB Layout Example

12 Device and Documentation Support

12.1 Trademarks

All trademarks are the property of their respective owners.

12.2 Electrostatic Discharge Caution



These devices have limited built-in ESD protection. The leads should be shorted together or the device placed in conductive foam during storage or handling to prevent electrostatic damage to the MOS gates.

12.3 Glossary

[SLYZ022](#) — *TI Glossary*.

This glossary lists and explains terms, acronyms, and definitions.

13 Mechanical, Packaging, and Orderable Information

The following pages include mechanical, packaging, and orderable information. This information is the most current data available for the designated devices. This data is subject to change without notice and revision of this document. For browser-based versions of this data sheet, refer to the left-hand navigation.

PACKAGING INFORMATION

Orderable Device	Status (1)	Package Type	Package Drawing	Pins	Package Qty	Eco Plan (2)	Lead/Ball Finish (6)	MSL Peak Temp (3)	Op Temp (°C)	Device Marking (4/5)	Samples
TS3A44159PWR	ACTIVE	TSSOP	PW	16	2000	Green (RoHS & no Sb/Br)	CU NIPDAU	Level-1-260C-UNLIM	-40 to 85	YC4159	Samples
TS3A44159PWRG4	ACTIVE	TSSOP	PW	16	2000	Green (RoHS & no Sb/Br)	CU NIPDAU	Level-1-260C-UNLIM	-40 to 85	YC4159	Samples
TS3A44159RGTR	ACTIVE	QFN	RGT	16	3000	Green (RoHS & no Sb/Br)	CU NIPDAU	Level-1-260C-UNLIM	-40 to 85	ZWH	Samples
TS3A44159RGTRG4	ACTIVE	QFN	RGT	16	3000	Green (RoHS & no Sb/Br)	CU NIPDAU	Level-1-260C-UNLIM	-40 to 85	ZWH	Samples
TS3A44159RSVR	ACTIVE	UQFN	RSV	16	3000	Green (RoHS & no Sb/Br)	CU NIPDAU CU NIPDAUAG	Level-1-260C-UNLIM	-40 to 85	ZWH	Samples
TS3A44159RSVRG4	ACTIVE	UQFN	RSV	16	3000	Green (RoHS & no Sb/Br)	CU NIPDAU	Level-1-260C-UNLIM	-40 to 85	ZWH	Samples

(1) The marketing status values are defined as follows:

ACTIVE: Product device recommended for new designs.

LIFEBUY: TI has announced that the device will be discontinued, and a lifetime-buy period is in effect.

NRND: Not recommended for new designs. Device is in production to support existing customers, but TI does not recommend using this part in a new design.

PREVIEW: Device has been announced but is not in production. Samples may or may not be available.

OBSOLETE: TI has discontinued the production of the device.

(2) Eco Plan - The planned eco-friendly classification: Pb-Free (RoHS), Pb-Free (RoHS Exempt), or Green (RoHS & no Sb/Br) - please check <http://www.ti.com/productcontent> for the latest availability information and additional product content details.

TBD: The Pb-Free/Green conversion plan has not been defined.

Pb-Free (RoHS): TI's terms "Lead-Free" or "Pb-Free" mean semiconductor products that are compatible with the current RoHS requirements for all 6 substances, including the requirement that lead not exceed 0.1% by weight in homogeneous materials. Where designed to be soldered at high temperatures, TI Pb-Free products are suitable for use in specified lead-free processes.

Pb-Free (RoHS Exempt): This component has a RoHS exemption for either 1) lead-based flip-chip solder bumps used between the die and package, or 2) lead-based die adhesive used between the die and leadframe. The component is otherwise considered Pb-Free (RoHS compatible) as defined above.

Green (RoHS & no Sb/Br): TI defines "Green" to mean Pb-Free (RoHS compatible), and free of Bromine (Br) and Antimony (Sb) based flame retardants (Br or Sb do not exceed 0.1% by weight in homogeneous material)

(3) MSL, Peak Temp. - The Moisture Sensitivity Level rating according to the JEDEC industry standard classifications, and peak solder temperature.

(4) There may be additional marking, which relates to the logo, the lot trace code information, or the environmental category on the device.

(5) Multiple Device Markings will be inside parentheses. Only one Device Marking contained in parentheses and separated by a "~" will appear on a device. If a line is indented then it is a continuation of the previous line and the two combined represent the entire Device Marking for that device.

⁽⁶⁾ Lead/Ball Finish - Orderable Devices may have multiple material finish options. Finish options are separated by a vertical ruled line. Lead/Ball Finish values may wrap to two lines if the finish value exceeds the maximum column width.

Important Information and Disclaimer: The information provided on this page represents TI's knowledge and belief as of the date that it is provided. TI bases its knowledge and belief on information provided by third parties, and makes no representation or warranty as to the accuracy of such information. Efforts are underway to better integrate information from third parties. TI has taken and continues to take reasonable steps to provide representative and accurate information but may not have conducted destructive testing or chemical analysis on incoming materials and chemicals. TI and TI suppliers consider certain information to be proprietary, and thus CAS numbers and other limited information may not be available for release.

In no event shall TI's liability arising out of such information exceed the total purchase price of the TI part(s) at issue in this document sold by TI to Customer on an annual basis.

TAPE AND REEL INFORMATION

QUADRANT ASSIGNMENTS FOR PIN 1 ORIENTATION IN TAPE


*All dimensions are nominal

Device	Package Type	Package Drawing	Pins	SPQ	Reel Diameter (mm)	Reel Width W1 (mm)	A0 (mm)	B0 (mm)	K0 (mm)	P1 (mm)	W (mm)	Pin1 Quadrant
TS3A44159PWR	TSSOP	PW	16	2000	330.0	12.4	6.9	5.6	1.6	8.0	12.0	Q1
TS3A44159RGTR	QFN	RGT	16	3000	330.0	12.4	3.3	3.3	1.0	8.0	12.0	Q2
TS3A44159RSVR	UQFN	RSV	16	3000	180.0	12.4	2.1	2.9	0.75	4.0	12.0	Q1
TS3A44159RSVR	UQFN	RSV	16	3000	177.8	12.4	2.0	2.8	0.7	4.0	12.0	Q1

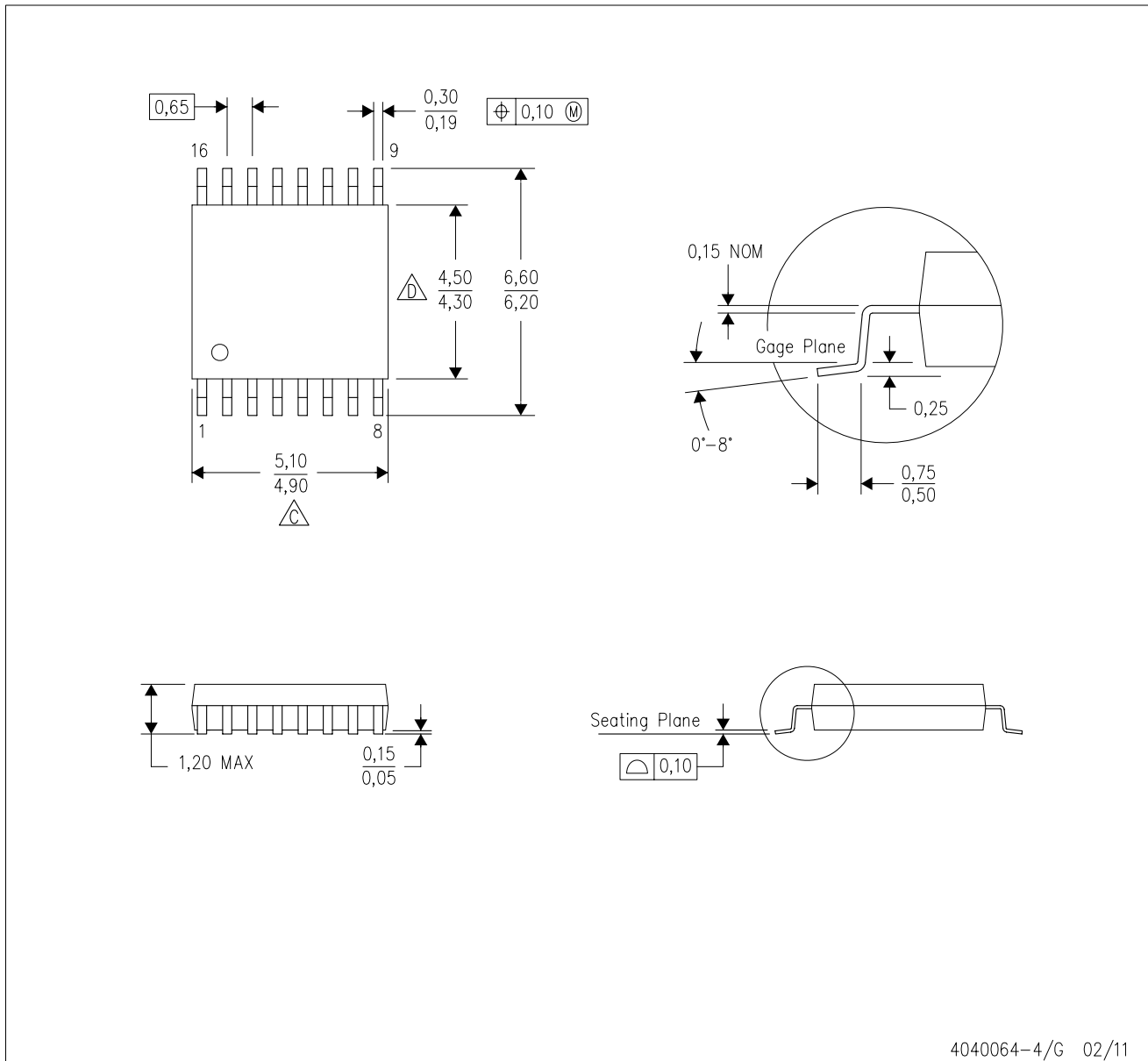
TAPE AND REEL BOX DIMENSIONS


*All dimensions are nominal

Device	Package Type	Package Drawing	Pins	SPQ	Length (mm)	Width (mm)	Height (mm)
TS3A44159PWR	TSSOP	PW	16	2000	367.0	367.0	35.0
TS3A44159RGTR	QFN	RGT	16	3000	346.0	346.0	35.0
TS3A44159RSVR	UQFN	RSV	16	3000	203.0	203.0	35.0
TS3A44159RSVR	UQFN	RSV	16	3000	202.0	201.0	28.0

PW (R-PDSO-G16)

PLASTIC SMALL OUTLINE

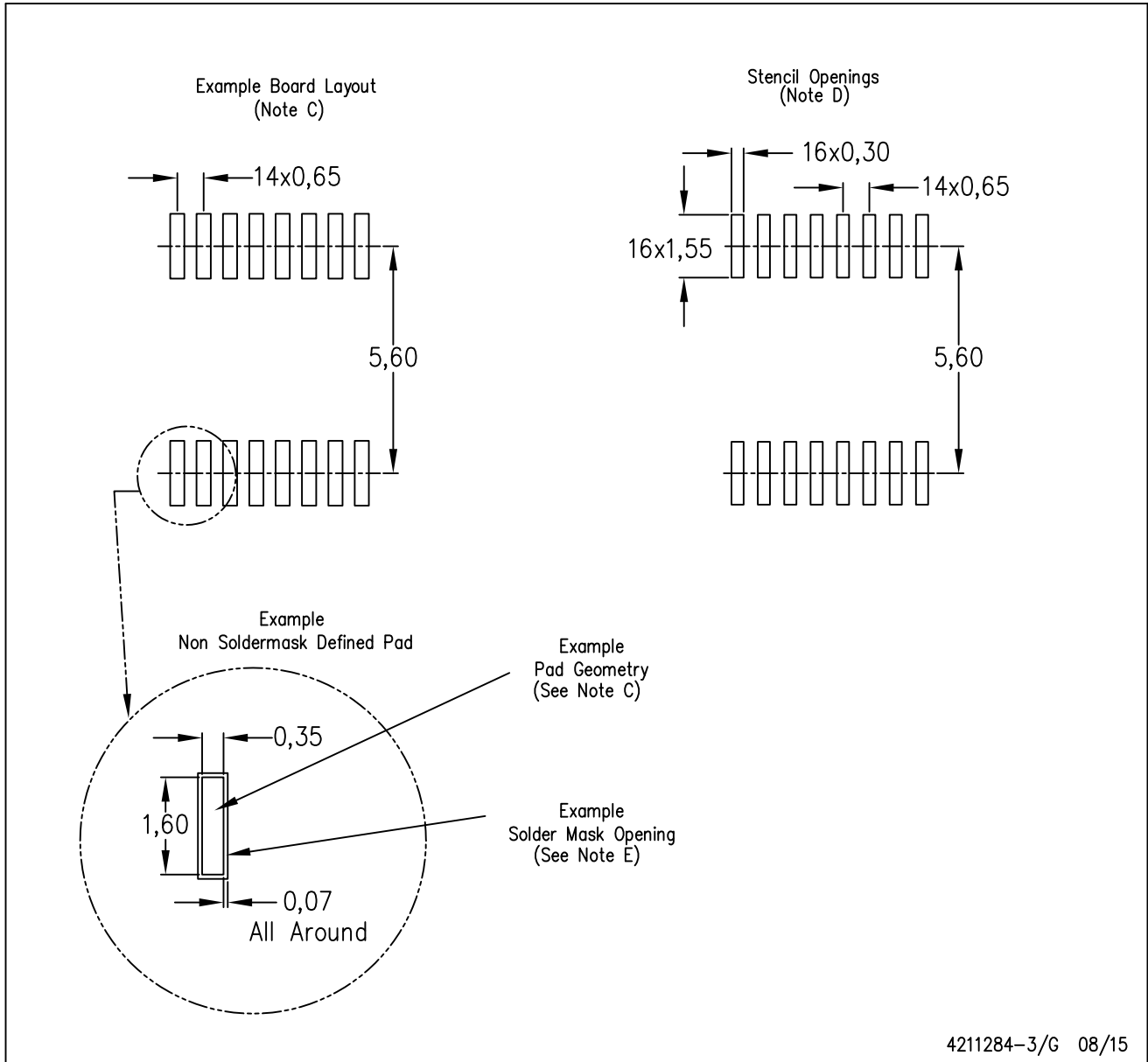


4040064-4/G 02/11

- NOTES:
- A. All linear dimensions are in millimeters. Dimensioning and tolerancing per ASME Y14.5M-1994.
 - B. This drawing is subject to change without notice.
 - C. Body length does not include mold flash, protrusions, or gate burrs. Mold flash, protrusions, or gate burrs shall not exceed 0,15 each side.
 - D. Body width does not include interlead flash. Interlead flash shall not exceed 0,25 each side.
 - E. Falls within JEDEC MO-153

PW (R-PDSO-G16)

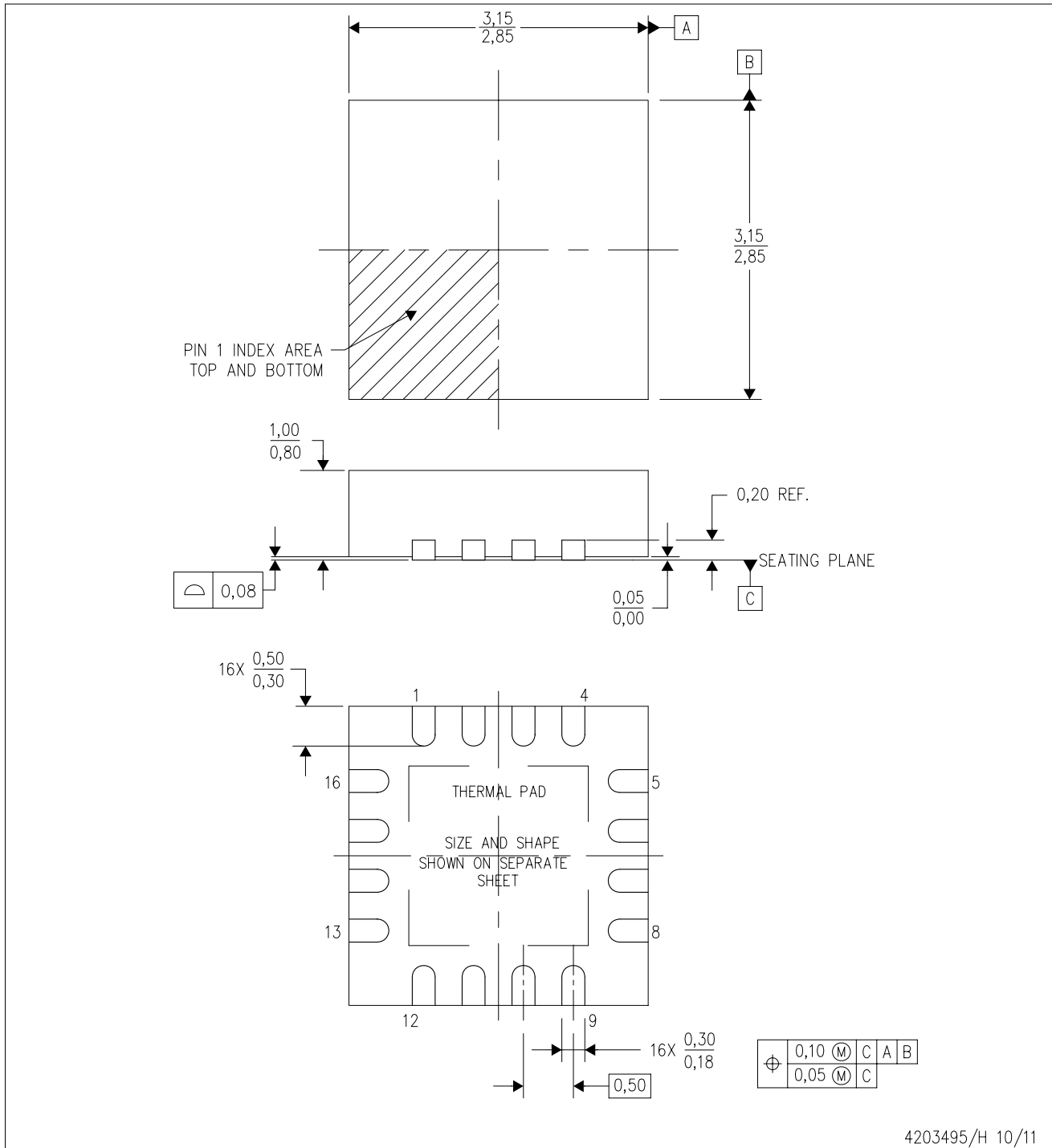
PLASTIC SMALL OUTLINE



- NOTES:
- All linear dimensions are in millimeters.
 - This drawing is subject to change without notice.
 - Publication IPC-7351 is recommended for alternate designs.
 - Laser cutting apertures with trapezoidal walls and also rounding corners will offer better paste release. Customers should contact their board assembly site for stencil design recommendations. Refer to IPC-7525 for other stencil recommendations.
 - Customers should contact their board fabrication site for solder mask tolerances between and around signal pads.

RGT (S-PVQFN-N16)

PLASTIC QUAD FLATPACK NO-LEAD



4203495/H 10/11

- NOTES:
- All linear dimensions are in millimeters. Dimensioning and tolerancing per ASME Y14.5M-1994.
 - This drawing is subject to change without notice.
 - Quad Flatpack, No-leads (QFN) package configuration.
 - The package thermal pad must be soldered to the board for thermal and mechanical performance.
 - See the additional figure in the Product Data Sheet for details regarding the exposed thermal pad features and dimensions.
 - Falls within JEDEC MO-220.

THERMAL PAD MECHANICAL DATA

RGT (S-PVQFN-N16)

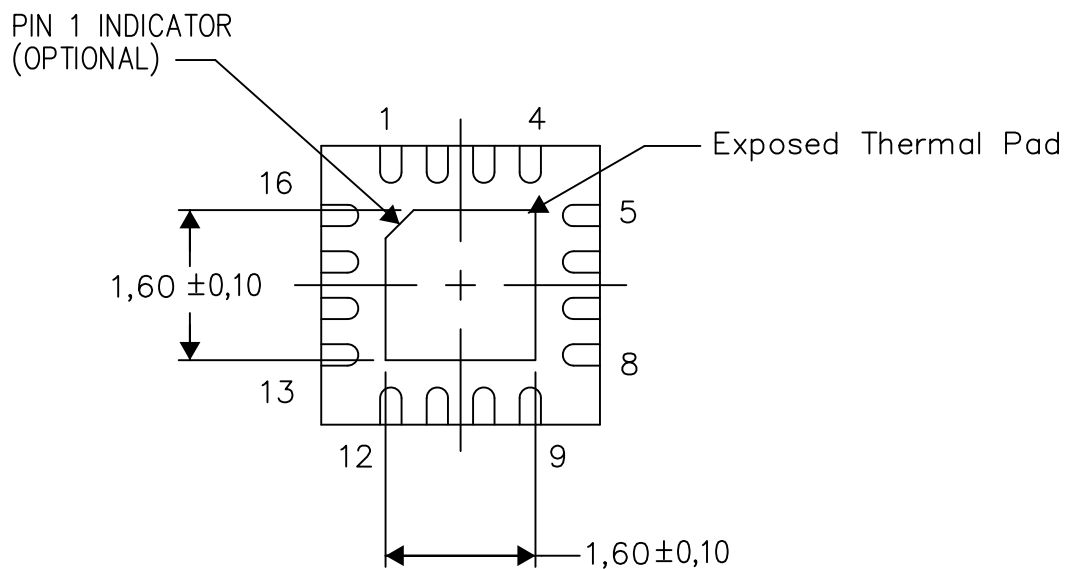
PLASTIC QUAD FLATPACK NO-LEAD

THERMAL INFORMATION

This package incorporates an exposed thermal pad that is designed to be attached directly to an external heatsink. The thermal pad must be soldered directly to the printed circuit board (PCB). After soldering, the PCB can be used as a heatsink. In addition, through the use of thermal vias, the thermal pad can be attached directly to the appropriate copper plane shown in the electrical schematic for the device, or alternatively, can be attached to a special heatsink structure designed into the PCB. This design optimizes the heat transfer from the integrated circuit (IC).

For information on the Quad Flatpack No-Lead (QFN) package and its advantages, refer to Application Report, QFN/SON PCB Attachment, Texas Instruments Literature No. SLUA271. This document is available at www.ti.com.

The exposed thermal pad dimensions for this package are shown in the following illustration.



Bottom View

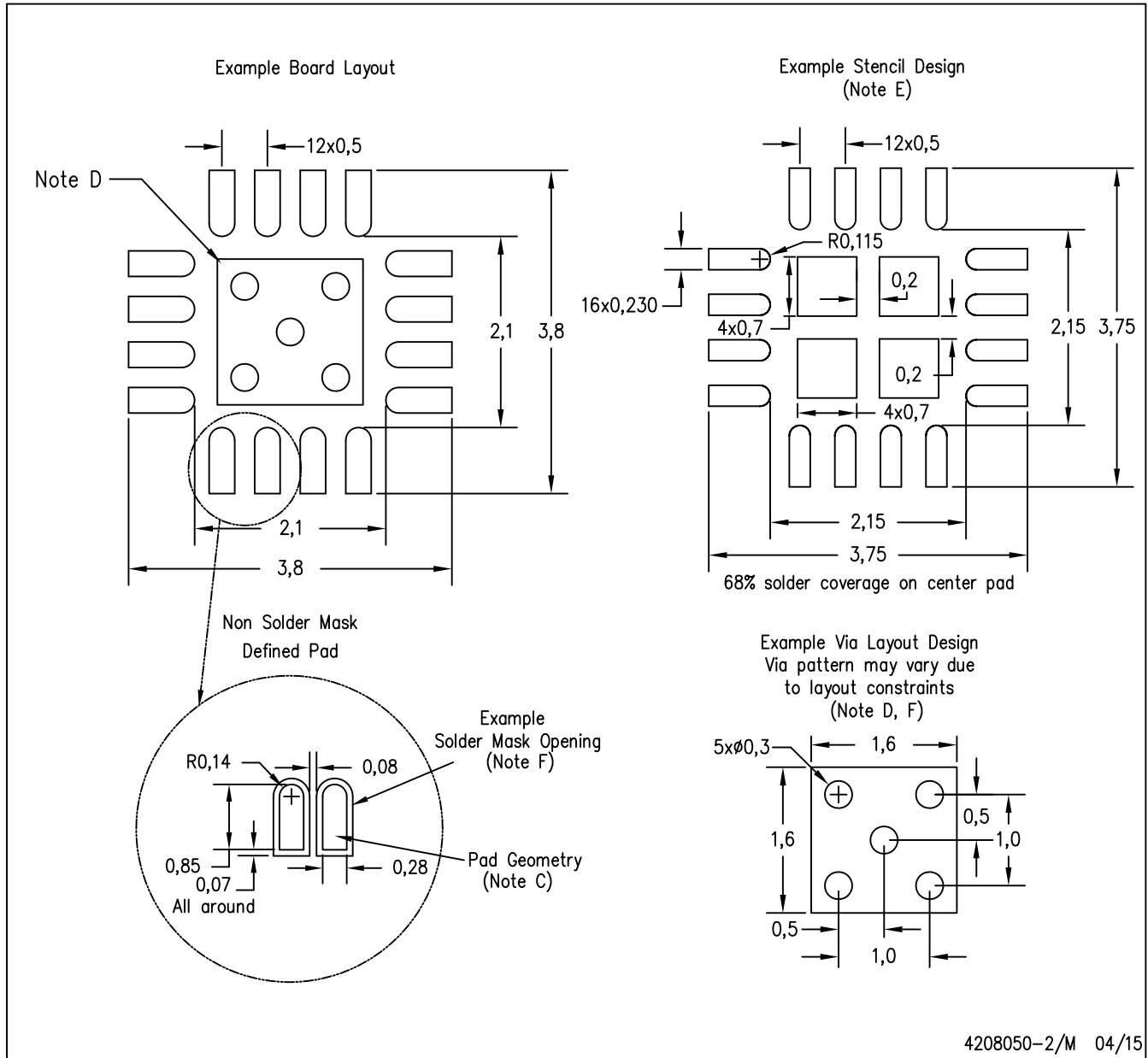
Exposed Thermal Pad Dimensions

4206349-3/Z 08/15

NOTE: All linear dimensions are in millimeters

RGT (S-PVQFN-N16)

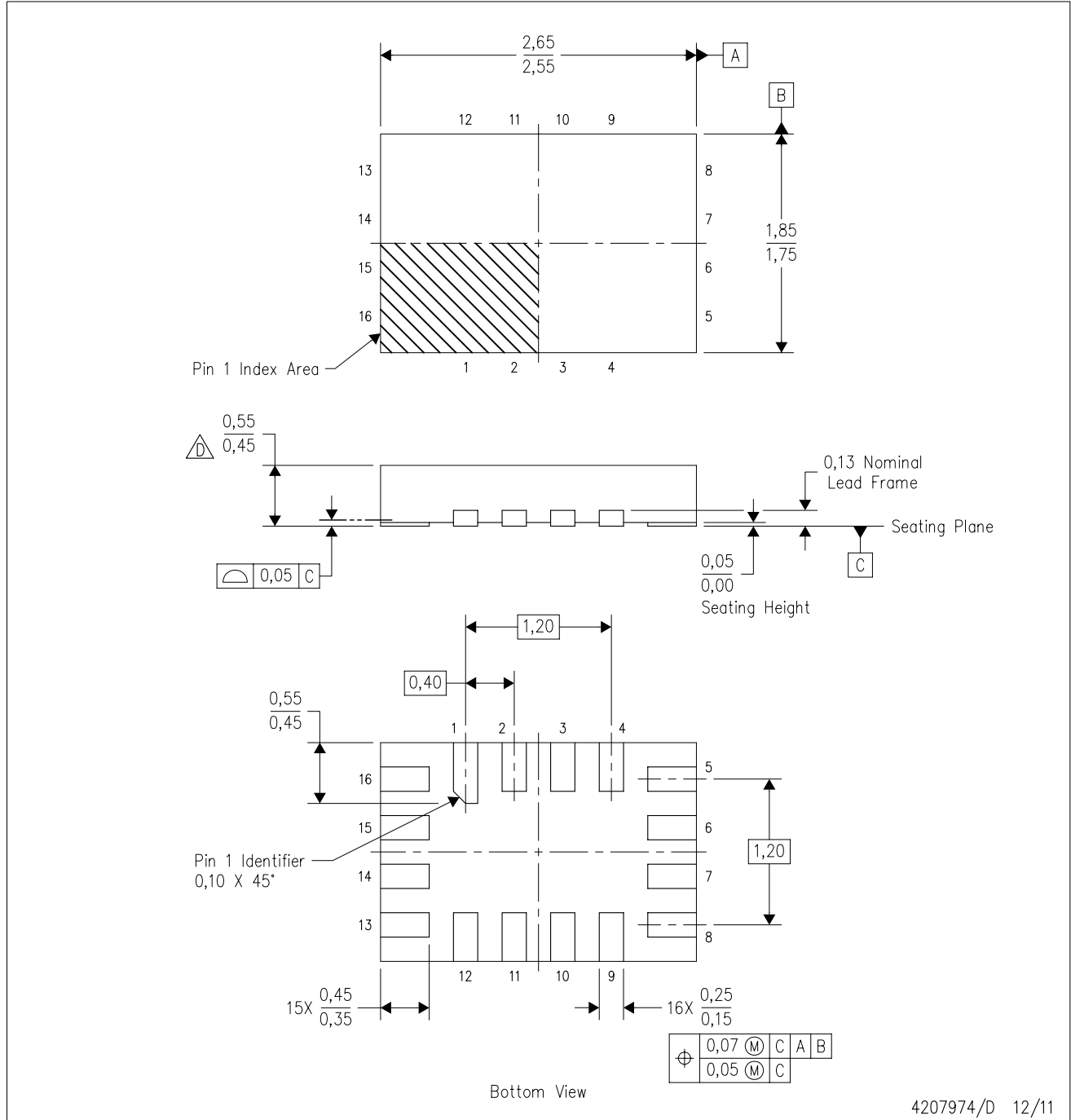
PLASTIC QUAD FLATPACK NO-LEAD




- NOTES:
- A. All linear dimensions are in millimeters.
 - B. This drawing is subject to change without notice.
 - C. Publication IPC-7351 is recommended for alternate designs.
 - D. This package is designed to be soldered to a thermal pad on the board. Refer to Application Note, QFN/SON PCB Attachment, Texas Instruments Literature No. SLUA271, and also the Product Data Sheets for specific thermal information, via requirements, and recommended board layout. These documents are available at www.ti.com <<http://www.ti.com>>.
 - E. Laser cutting apertures with trapezoidal walls and also rounding corners will offer better paste release. Customers should contact their board assembly site for stencil design recommendations. Refer to IPC 7525 for stencil design considerations.
 - F. Customers should contact their board fabrication site for minimum solder mask web tolerances between signal pads.

RSV (R-PUQFN-N16)

PLASTIC QUAD FLATPACK NO-LEAD

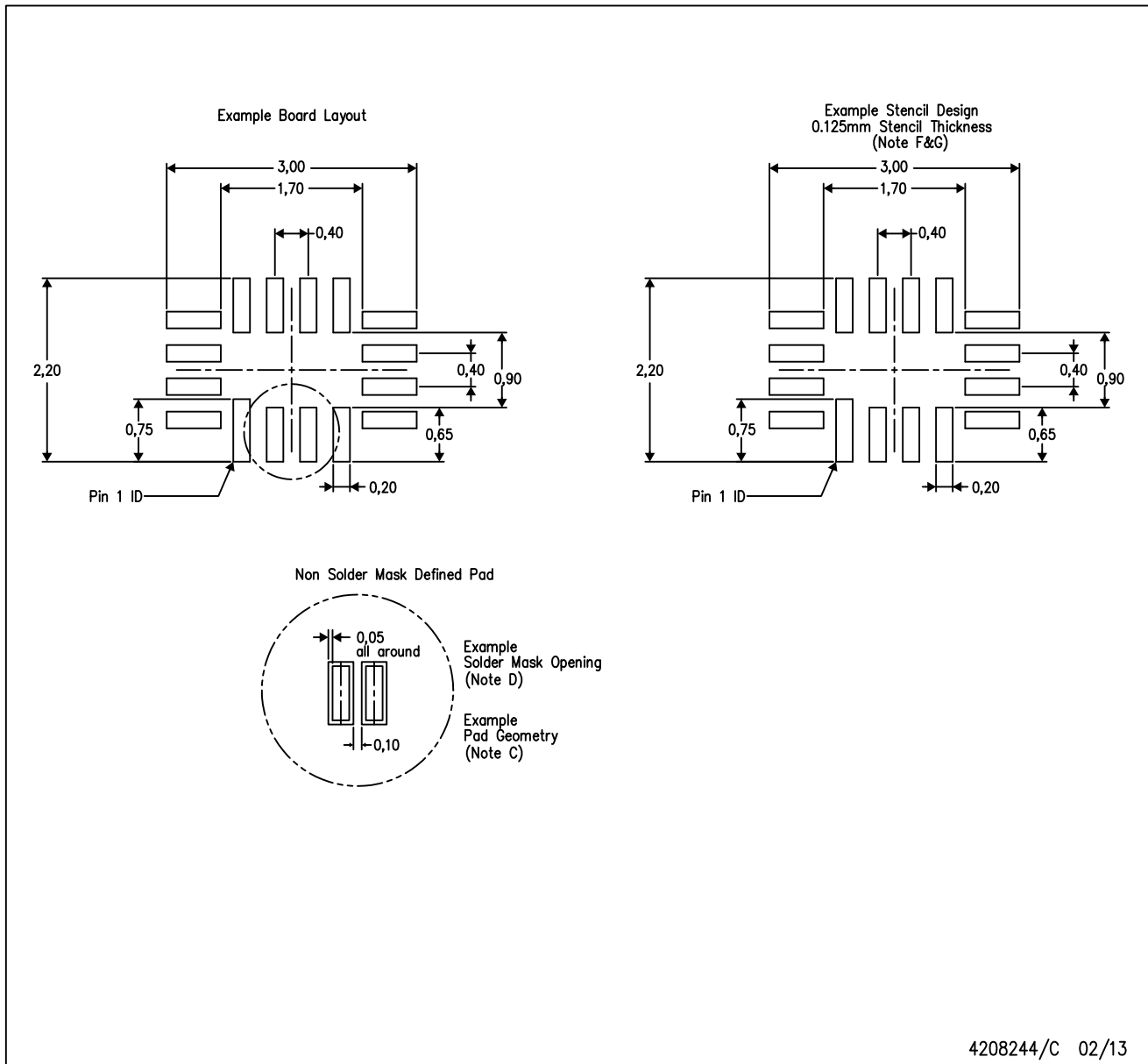


4207974/D 12/11

- NOTES:
- A. All linear dimensions are in millimeters. Dimensioning and tolerancing per ASME Y14.5M-1994.
 - B. This drawing is subject to change without notice.
 - C. QFN (Quad Flatpack No-Lead) package configuration.
 -  This package complies to JEDEC MO-288 variation UFHE, except minimum package thickness.

RSV (R-PUQFN-N16)

PLASTIC QUAD FLATPACK NO-LEAD



- NOTES:
- A. All linear dimensions are in millimeters.
 - B. This drawing is subject to change without notice.
 - C. Publication IPC-7351 is recommended for alternate designs.
 - D. Customers should contact their board fabrication site for minimum solder mask web tolerances between signal pads.
 - E. Maximum stencil thickness 0,127 mm (5 mils). All linear dimensions are in millimeters.
 - F. Laser cutting apertures with trapezoidal walls and also rounding corners will offer better paste release. Customers should contact their board assembly site for stencil design recommendations. Refer to IPC 7525 for stencil design considerations.
 - G. Side aperture dimensions over-print land for acceptable area ratio > 0.66. Customer may reduce side aperture dimensions if stencil manufacturing process allows for sufficient release at smaller opening.

IMPORTANT NOTICE

Texas Instruments Incorporated and its subsidiaries (TI) reserve the right to make corrections, enhancements, improvements and other changes to its semiconductor products and services per JESD46, latest issue, and to discontinue any product or service per JESD48, latest issue. Buyers should obtain the latest relevant information before placing orders and should verify that such information is current and complete. All semiconductor products (also referred to herein as "components") are sold subject to TI's terms and conditions of sale supplied at the time of order acknowledgment.

TI warrants performance of its components to the specifications applicable at the time of sale, in accordance with the warranty in TI's terms and conditions of sale of semiconductor products. Testing and other quality control techniques are used to the extent TI deems necessary to support this warranty. Except where mandated by applicable law, testing of all parameters of each component is not necessarily performed.

TI assumes no liability for applications assistance or the design of Buyers' products. Buyers are responsible for their products and applications using TI components. To minimize the risks associated with Buyers' products and applications, Buyers should provide adequate design and operating safeguards.

TI does not warrant or represent that any license, either express or implied, is granted under any patent right, copyright, mask work right, or other intellectual property right relating to any combination, machine, or process in which TI components or services are used. Information published by TI regarding third-party products or services does not constitute a license to use such products or services or a warranty or endorsement thereof. Use of such information may require a license from a third party under the patents or other intellectual property of the third party, or a license from TI under the patents or other intellectual property of TI.

Reproduction of significant portions of TI information in TI data books or data sheets is permissible only if reproduction is without alteration and is accompanied by all associated warranties, conditions, limitations, and notices. TI is not responsible or liable for such altered documentation. Information of third parties may be subject to additional restrictions.

Resale of TI components or services with statements different from or beyond the parameters stated by TI for that component or service voids all express and any implied warranties for the associated TI component or service and is an unfair and deceptive business practice. TI is not responsible or liable for any such statements.

Buyer acknowledges and agrees that it is solely responsible for compliance with all legal, regulatory and safety-related requirements concerning its products, and any use of TI components in its applications, notwithstanding any applications-related information or support that may be provided by TI. Buyer represents and agrees that it has all the necessary expertise to create and implement safeguards which anticipate dangerous consequences of failures, monitor failures and their consequences, lessen the likelihood of failures that might cause harm and take appropriate remedial actions. Buyer will fully indemnify TI and its representatives against any damages arising out of the use of any TI components in safety-critical applications.

In some cases, TI components may be promoted specifically to facilitate safety-related applications. With such components, TI's goal is to help enable customers to design and create their own end-product solutions that meet applicable functional safety standards and requirements. Nonetheless, such components are subject to these terms.

No TI components are authorized for use in FDA Class III (or similar life-critical medical equipment) unless authorized officers of the parties have executed a special agreement specifically governing such use.

Only those TI components which TI has specifically designated as military grade or "enhanced plastic" are designed and intended for use in military/aerospace applications or environments. Buyer acknowledges and agrees that any military or aerospace use of TI components which have **not** been so designated is solely at the Buyer's risk, and that Buyer is solely responsible for compliance with all legal and regulatory requirements in connection with such use.

TI has specifically designated certain components as meeting ISO/TS16949 requirements, mainly for automotive use. In any case of use of non-designated products, TI will not be responsible for any failure to meet ISO/TS16949.

Products

Audio	www.ti.com/audio
Amplifiers	amplifier.ti.com
Data Converters	dataconverter.ti.com
DLP® Products	www.dlp.com
DSP	dsp.ti.com
Clocks and Timers	www.ti.com/clocks
Interface	interface.ti.com
Logic	logic.ti.com
Power Mgmt	power.ti.com
Microcontrollers	microcontroller.ti.com
RFID	www.ti-rfid.com
OMAP Applications Processors	www.ti.com/omap
Wireless Connectivity	www.ti.com/wirelessconnectivity

Applications

Automotive and Transportation	www.ti.com/automotive
Communications and Telecom	www.ti.com/communications
Computers and Peripherals	www.ti.com/computers
Consumer Electronics	www.ti.com/consumer-apps
Energy and Lighting	www.ti.com/energy
Industrial	www.ti.com/industrial
Medical	www.ti.com/medical
Security	www.ti.com/security
Space, Avionics and Defense	www.ti.com/space-avionics-defense
Video and Imaging	www.ti.com/video

TI E2E Community

e2e.ti.com